

## CABFLX NICKEL PLATED BRASS CONDUIT FITTINGS

CERTIFICATE OF CONFORMITY: ANZEx 14.3013 & IECEx TSA 11.0026

**STRUCTURE:** Connector body with hexagonal wrench surface, thread ISO metric in accordance with IEC 60079, hexagonal nut, sealing ring and ferrule.

### MATERIAL

- Connector body – Nickel plated brass
- Hexagon nut – Nickel plated brass
- Sealing ring – Nylon 66
- Ferrule – Galvanized steel

### FEATURES

- Simple, one piece installation provides a quick and reliable liquid-tight seal
- IP66 rating
- High mechanical strength
- Liquid-tight and dustproof
- Inherently low fire hazard
- Covering of the conduit ends

### APPLICATIONS

- General industrial and commercial electrical wiring protection
- Machining centres and robotics
- General wiring for OEM
- Low fire hazard requirements
- Under floor wiring in office buildings
- Available in ISO metric threads

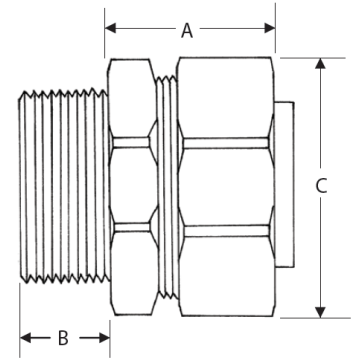
### SUITABLE FLEXIBLE CONDUITS

- CLT
- CVJC
- CETX
- CEFU

## STRAIGHT BRASS



PART No.	THREAD SIZE (mm)	CONDUIT SIZE (mm)	A (mm)	B (mm)	C (Hex/Max) (mm)	UNIT	QTY
LTCM-B09	16	16	23	12.7	28	EA	1
LTCM-B10	20	16	23	12.7	28	EA	1
LTCM-B11	20	20	23	12.7	31.5	EA	1
LTCM-B12	25	25	26	14.2	38.5	EA	1
LTCM-B13	32	32	28	16.3	46.5	EA	1
LTCM-B14	40	40	33	18.2	59	EA	1
LTCM-B15	50	50	32	18.2	67	EA	1
LTCM-B16	63	63	34	20	80	EA	1



PART No.	DESCRIPTION
LTCM-B09	Liquid Tight Straight Brass Fitting 16mm
LTCM-B10	Liquid Tight Straight Brass Fitting 16/20mm
LTCM-B11	Liquid Tight Straight Brass Fitting 20mm
LTCM-B12	Liquid Tight Straight Brass Fitting 25mm
LTCM-B13	Liquid Tight Straight Brass Fitting 32mm
LTCM-B14	Liquid Tight Straight Brass Fitting 40mm
LTCM-B15	Liquid Tight Straight Brass Fitting 50mm
LTCM-B16	Liquid Tight Straight Brass Fitting 63mm

In support of our policy of continuous product improvement we reserve the right to change materials and specifications without notice. Drawings, where used, are not to scale. All dimensions are in millimetres and sizes given are approximate. Where possible, technical MSDS data sheets are made available on the website. All products should be installed and used in accordance with manufacturer's instructions provided. Warning: products may be the subject of registered designs and patents. Refer to website for terms and conditions on warranty.

## CABFLX NICKEL PLATED BRASS CONDUIT FITTINGS

CERTIFICATE OF CONFORMITY: ANZEx 14.3013 & IECEx TSA 11.0026

**STRUCTURE:** Connector body with hexagonal wrench surface, thread ISO metric in accordance with IEC 60079, hexagonal nut, sealing ring and ferrule.

### MATERIAL

- Connector body – Nickel plated brass
- Hexagon nut – Nickel plated brass
- Sealing ring – Nylon 66
- Ferrule – Galvanized steel

### FEATURES

- Simple, one piece installation provides a quick and reliable liquid-tight seal
- IP66 rating
- High mechanical strength
- Liquid-tight and dustproof
- Inherently low fire hazard
- Covering of the conduit ends

### APPLICATIONS

- General industrial and commercial electrical wiring protection
- Machining centres and robotics
- General wiring for OEM
- Low fire hazard requirements
- Under floor wiring in office buildings
- Available in ISO metric threads

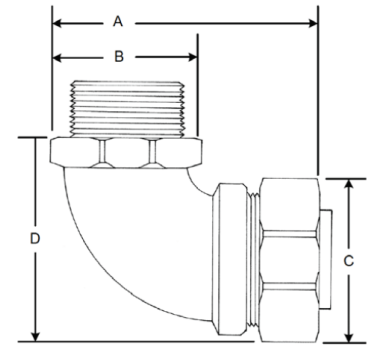
### SUITABLE FLEXIBLE CONDUITS

- CLT
- CVJC
- CETX
- CEFU

## BRASS 90° FITTINGS



PART No.	THREAD SIZE (mm)	CONDUIT SIZE (mm)	A (mm)	B A/C (mm)	C (A/C) (mm)	D (mm)	UNIT	QTY
LTCM-B209	16	16	56	32	28	36	EA	1
LTCM-B20	20	16	56	32	28	36	EA	1
LTCM-B21	20	20	56	32	31.5	38	EA	1
LTCM-B22	25	25	63	39	38.5	46	EA	1
LTCM-B23	32	32	80	45	46.5	55	EA	1
LTCM-B24	40	40	98	58	59	70	EA	1
LTCM-B25	50	50	97	65	67	73	EA	1
LTCM-B26	63	63	117	78	80	88	EA	1



PART No.	DESCRIPTION
LTCM-B209	Liquid Tight 90 Degree Brass Fitting 16mm
LTCM-B20	Liquid Tight 90 Degree Brass Fitting 16/20mm
LTCM-B21	Liquid Tight 90 Degree Brass Fitting 20mm
LTCM-B22	Liquid Tight 90 Degree Brass Fitting 25mm
LTCM-B23	Liquid Tight 90 Degree Brass Fitting 32mm
LTCM-B24	Liquid Tight 90 Degree Brass Fitting 40mm
LTCM-B25	Liquid Tight 90 Degree Brass Fitting 50mm
LTCM-B26	Liquid Tight 90 Degree Brass Fitting 63mm

In support of our policy of continuous product improvement we reserve the right to change materials and specifications without notice. Drawings, where used, are not to scale. All dimensions are in millimetres and sizes given are approximate. Where possible, technical MSDS data sheets are made available on the website. All products should be installed and used in accordance with manufacturer's instructions provided. Warning: products may be the subject of registered designs and patents. Refer to website for terms and conditions on warranty.

## CABFLX NICKEL PLATED BRASS CONDUIT FITTINGS

CERTIFICATE OF CONFORMITY: ANZEx 14.3013 & IECEx TSA 11.0026

**STRUCTURE:** Connector body with hexagonal wrench surface, thread ISO metric in accordance with IEC 60079, hexagonal nut, sealing ring and ferrule.

### MATERIAL

- Connector body – Nickel plated brass
- Hexagon nut – Nickel plated brass
- Sealing ring – Nylon 66
- Ferrule – Galvanized steel

### FEATURES

- Simple, one piece installation provides a quick and reliable liquid-tight seal
- IP66 rating
- High mechanical strength
- Liquid-tight and dustproof
- Inherently low fire hazard
- Covering of the conduit ends

### APPLICATIONS

- General industrial and commercial electrical wiring protection
- Machining centres and robotics
- General wiring for OEM
- Low fire hazard requirements
- Under floor wiring in office buildings
- Available in ISO metric threads

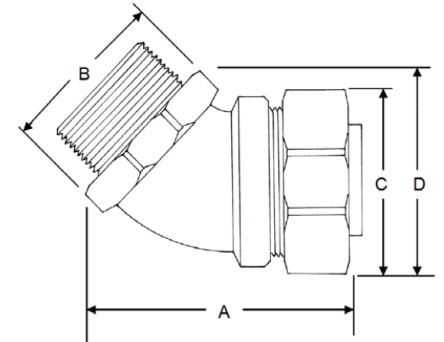
### SUITABLE FLEXIBLE CONDUITS

- CLT
- CVJC
- CETX
- CEFU

## BRASS 45° FITTINGS



PART No.	THREAD SIZE (mm)	CONDUIT SIZE (mm)	A (mm)	B A/C (mm)	C (A/C) (mm)	D (mm)	UNIT	QTY
LTCM-B309	16	16	43	32	28	32	EA	1
LTCM-B30	20	16	46	32	28	33	EA	1
LTCM-B31	20	20	49	32	31.5	35	EA	1
LTCM-B32	25	25	56	39	38.5	42	EA	1
LTCM-B33	32	32	66	45	46.5	48	EA	1
LTCM-B34	40	40	81	58	59	62	EA	1
LTCM-B35	50	50	80	65	67	67	EA	1
LTCM-B36	63	63	96	78	80	84	EA	1



PART No.	DESCRIPTION
LTCM-B309	Liquid Tight 45 Degree Brass Fitting 16mm
LTCM-B30	Liquid Tight 45 Degree Brass Fitting 16/20mm
LTCM-B31	Liquid Tight 45 Degree Brass Fitting 20mm
LTCM-B32	Liquid Tight 45 Degree Brass Fitting 25mm
LTCM-B33	Liquid Tight 45 Degree Brass Fitting 32mm
LTCM-B34	Liquid Tight 45 Degree Brass Fitting 40mm
LTCM-B35	Liquid Tight 45 Degree Brass Fitting 50mm
LTCM-B36	Liquid Tight 45 Degree Brass Fitting 63mm

In support of our policy of continuous product improvement we reserve the right to change materials and specifications without notice. Drawings, where used, are not to scale. All dimensions are in millimetres and sizes given are approximate. Where possible, technical MSDS data sheets are made available on the website. All products should be installed and used in accordance with manufacturer's instructions provided. Warning: products may be the subject of registered designs and patents. Refer to website for terms and conditions on warranty.