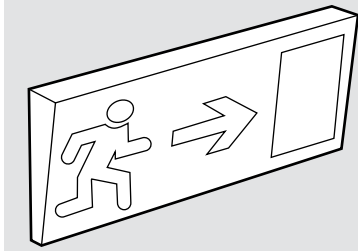


EMERG1W
EMERG2W
EMERG3W
EMERG4W

User Instructions

Emergency Lighting Discharge Test solutions have been developed to meet the needs of the electrical industry. In accordance to AS2293.1 and AS/NZS2293.2 'Emergency Evacuation Lighting for Buildings', a discharge test circuit MUST be installed in both existing and new installations.



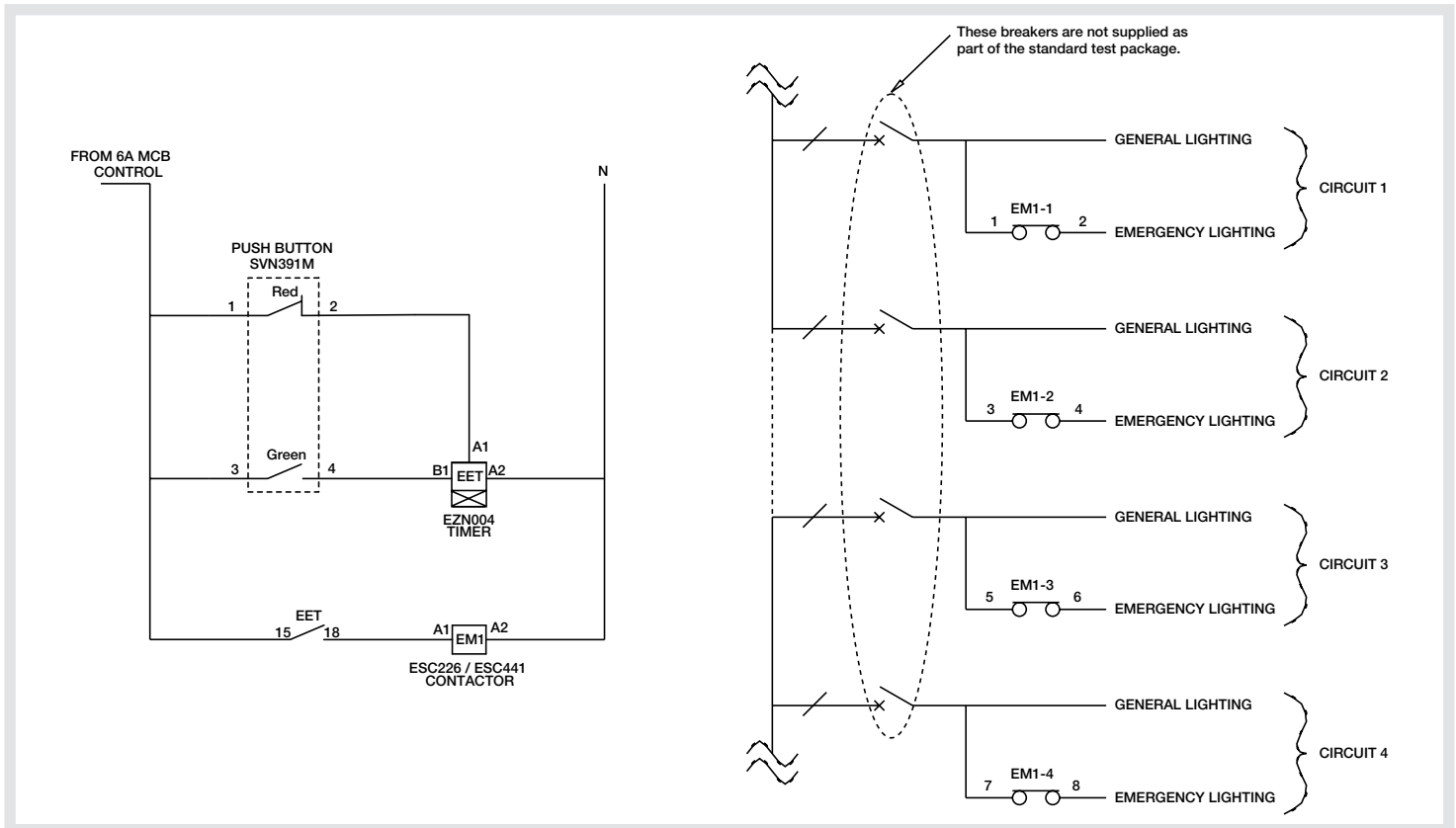
Emergency lighting discharge test kits

Operation

Upon engaging the Green push button for 1 second, the timer starts its operation and energizes the contactor coil. The four normally closed contacts open, initiating operation of the emergency lights.

The timer, to be set at 2 hours (2hrs for initial commissioning, 90mins thereafter, completes its operation, de-energising the contactor coil returning the contacts to the normally closed position.

In accordance with AS2293.1 the test facility is capable of being manually reset. If the red push button is pressed the timer resets & is ready for the green push button to start the timing cycle again.



Kit contents in relation to product purchased

1 - Standalone solutions prewired in plastic enclosures

EMERG1W - Suitable for up to 4 separate test circuits

| QTY | Cat.Ref | Description | Module width |
|-----|---------|---------------------------------------|--------------|
| 1 | ESC441 | Contactors - 4NC contacts, 40A | 3 |
| 1 | SVN391M | Push button - 1NO (green) + 1NO (red) | 1 |
| 1 | EZN004 | Delay timer - 0.1sec to 10hrs | 1 |
| 1 | GD106T | Enclosure - Plastic, 6 module | 6 |
| 1 | GP106T | Door - suits GD106T, transparent | - |
| 1 | VZ313 | Lock - suits GD106T | - |

EMERG2W - Suitable for up to 2 separate test circuits

| QTY | Cat.Ref | Description | Module width |
|-----|---------|---------------------------------------|--------------|
| 1 | ESC226 | Contactors - 2NC contacts, 25A | 1 |
| 1 | SVN391M | Push button - 1NO (green) + 1NO (red) | 1 |
| 1 | EZN004 | Delay timer - 0.1sec to 10hrs | 1 |
| 1 | GD104T | Enclosure - Plastic, 4 module | 4 |
| 1 | GP104T | Door - suits GD104T, transparent | - |
| 1 | VZ313 | Lock - suits GD104T | - |

2 - Wired kit without enclosure for PERFORMA panelboards (Classic, Apex, Apex PLUS, Elite)

EMERG3W - Suitable for up to 4 separate test circuits

| QTY | Cat.Ref | Description | Module width |
|-----|---------|---------------------------------------|--------------|
| 1 | ESC441 | Contactors - 4NC contacts, 40A | 3 |
| 1 | SVN391M | Push button - 1NO (green) + 1NO (red) | 1 |
| 1 | EZN004 | Delay timer - 0.1sec to 10hrs | 1 |

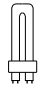

EMERG4W - Suitable for up to 2 separate test circuits

| QTY | Cat.Ref | Description | Module width |
|-----|---------|---------------------------------------|--------------|
| 1 | ESC226 | Contactors - 2NC contacts, 25A | 1 |
| 1 | SVN391M | Push button - 1NO (green) + 1NO (red) | 1 |
| 1 | EZN004 | Delay timer - 0.1sec to 10hrs | 1 |

Lighting applications

Modern lighting systems generate high inrush currents. Therefore we recommend to use the table below to calculate the maximum number of lamps (or dual fittings) which can be connected to each pole of a Hager contactor on 230V 50Hz circuits.

- From June 2014, Hager has improved the performance of 1 and 2 module contactors. The products identified on the front face with the pictogram  can accept a higher number of lamps.
- For the 1 and 2 module contactors without the pictogram , divide the results given by 2.

| Type | Lamp wattage (W) | 25A '+' | Rated output (per pole) 40A | 63A |
|--|------------------|---------|-----------------------------|-----|
| Compact Fluorescent Lamps (CFL's) | | | | |
| CFL with external electronic ballast  | 5 - 7 | 27 | 49 | 76 |
| | 9 - 11 | 26 | 40 | 63 |
| | 15 - 26 | 22 | 36 | 57 |
| CFL with integrated electronic ballast  | 5 - 15 | 54 | 86 | 135 |
| | 18 - 26 | 40 | 63 | 100 |
| Incandescent lamps | | | | |
| | 40 | 57 | 76 | 120 |
| | 60 | 45 | 67 | 105 |
| | 75 | 38 | 63 | 100 |
| | 100 | 28 | 41 | 65 |
| | 150 | 18 | 29 | 45 |
| | 200 | 14 | 22 | 35 |
| | 300 | 10 | 15 | 23 |
| | 500 | 6 | 9 | 14 |
| | 1000 | 2 | 4 | 7 |
| | 20 | 40 | 139 | 218 |
| | 35 | 26 | 82 | 129 |
| | 50 | 18 | 60 | 94 |
| | 75 | 12 | 52 | 82 |
| | 100 | 6 | 35 | 55 |
| | 150 | 4 | 20 | 31 |
| Fluorescent tubes (T5) | | | | |
| | 15 - 20 | 30 | 70 | 100 |
| | 36 | 28 | 60 | 90 |
| | 40 | 26 | 60 | 90 |
| | 42 | 24 | 55 | 83 |
| | 58-65 | 17 | 35 | 56 |
| | 80 | 15 | 30 | 48 |
| | 115 | 10 | 20 | 32 |
| | 140 | 10 | 16 | 26 |
| | 15 - 20 | 20 | 36 | 57 |
| | 36 | 20 | 34 | 53 |
| | 40 - 42 | 20 | 29 | 45 |
| | 58 - 80 | 15 | 27 | 42 |
| | 115 | 15 | 25 | 39 |
| | 2 x 18 | 40 | 50 | 78 |
| | 2 x 20 | 38 | 50 | 78 |
| | 2 x 36 | 30 | 44 | 69 |
| | 2 x 40 | 26 | 40 | 63 |
| | 2 x 42 | 24 | 40 | 63 |
| | 2 x 58 | 18 | 27 | 42 |
| | 2 x 65 | 16 | 27 | 42 |
| | 2 x 80 | 14 | 22 | 35 |
| | 2 x 115 | 10 | 16 | 25 |
| | 2 x 18 | 22 | 34 | 53 |
| | 2 x 20 | 22 | 29 | 45 |
| | 2 x 36 - 42 | 20 | 27 | 42 |
| | 2 x 58 | 20 | 25 | 39 |
| | 2 x 65 | 14 | 23 | 36 |
| | 2 x 80 | 14 | 20 | 31 |
| | 2 x 115 | 10 | 17 | 25 |
| | 15 - 20 | 22 | 36 | 57 |
| | 36 | 22 | 34 | 53 |
| | 40 - 42 | 22 | 29 | 45 |
| | 58 - 80 | 20 | 27 | 42 |
| | 115 | 20 | 25 | 39 |
| | 2 x 18 | 22 | 34 | 53 |
| | 2 x 20 | 22 | 29 | 45 |
| | 2 x 36 - 42 | 20 | 27 | 42 |
| | 2 x 58 | 20 | 25 | 39 |
| | 2 x 65 | 14 | 23 | 36 |
| | 2 x 80 | 14 | 20 | 31 |
| | 2 x 115 | 10 | 17 | 25 |
| | 15 - 20 | 22 | 36 | 57 |
| | 36 | 22 | 34 | 53 |
| | 40 - 42 | 22 | 29 | 45 |
| | 58 - 80 | 20 | 27 | 42 |
| | 115 | 20 | 25 | 39 |
| | 2 x 18 | 22 | 34 | 53 |
| | 2 x 20 | 22 | 29 | 45 |
| | 2 x 36 - 42 | 20 | 27 | 42 |
| | 2 x 58 | 20 | 25 | 39 |
| | 2 x 65 | 14 | 23 | 36 |
| | 2 x 80 | 14 | 20 | 31 |
| | 2 x 115 | 10 | 17 | 25 |
| | 15 - 20 | 22 | 36 | 57 |
| | 36 | 22 | 34 | 53 |
| | 40 - 42 | 22 | 29 | 45 |
| | 58 - 80 | 20 | 27 | 42 |
| | 115 | 20 | 25 | 39 |
| | 2 x 18 | 22 | 34 | 53 |
| | 2 x 20 | 22 | 29 | 45 |
| | 2 x 36 - 42 | 20 | 27 | 42 |
| | 2 x 58 | 20 | 25 | 39 |
| | 2 x 65 | 14 | 23 | 36 |
| | 2 x 80 | 14 | 20 | 31 |
| | 2 x 115 | 10 | 17 | 25 |
| | 15 - 20 | 22 | 36 | 57 |
| | 36 | 22 | 34 | 53 |
| | 40 - 42 | 22 | 29 | 45 |
| | 58 - 80 | 20 | 27 | 42 |
| | 115 | 20 | 25 | 39 |
| | 2 x 18 | 22 | 34 | 53 |
| | 2 x 20 | 22 | 29 | 45 |
| | 2 x 36 - 42 | 20 | 27 | 42 |
| | 2 x 58 | 20 | 25 | 39 |
| | 2 x 65 | 14 | 23 | 36 |
| | 2 x 80 | 14 | 20 | 31 |
| | 2 x 115 | 10 | 17 | 25 |
| | 15 - 20 | 22 | 36 | 57 |
| | 36 | 22 | 34 | 53 |
| | 40 - 42 | 22 | 29 | 45 |
| | 58 - 80 | 20 | 27 | 42 |
| | 115 | 20 | 25 | 39 |
| | 2 x 18 | 22 | 34 | 53 |
| | 2 x 20 | 22 | 29 | 45 |
| | 2 x 36 - 42 | 20 | 27 | 42 |
| | 2 x 58 | 20 | 25 | 39 |
| | 2 x 65 | 14 | 23 | 36 |
| | 2 x 80 | 14 | 20 | 31 |
| | 2 x 115 | 10 | 17 | 25 |
| | 15 - 20 | 22 | 36 | 57 |
| | 36 | 22 | 34 | 53 |
| | 40 - 42 | 22 | 29 | 45 |
| | 58 - 80 | 20 | 27 | 42 |
| | 115 | 20 | 25 | 39 |
| | 2 x 18 | 22 | 34 | 53 |
| | 2 x 20 | 22 | 29 | 45 |
| | 2 x 36 - 42 | 20 | 27 | 42 |
| | 2 x 58 | 20 | 25 | 39 |
| | 2 x 65 | 14 | 23 | 36 |
| | 2 x 80 | 14 | 20 | 31 |
| | 2 x 115 | 10 | 17 | 25 |
| | 15 - 20 | 22 | 36 | 57 |
| | 36 | 22 | 34 | 53 |
| | 40 - 42 | 22 | 29 | 45 |
| | 58 - 80 | 20 | 27 | 42 |
| | 115 | 20 | 25 | 39 |
| | 2 x 18 | 22 | 34 | 53 |
| | 2 x 20 | 22 | 29 | 45 |
| | 2 x 36 - 42 | 20 | 27 | 42 |
| | 2 x 58 | 20 | 25 | 39 |
| | 2 x 65 | 14 | 23 | 36 |
| | 2 x 80 | 14 | 20 | 31 |
| | 2 x 115 | 10 | 17 | 25 |
| | 15 - 20 | 22 | 36 | 57 |
| | 36 | 22 | 34 | 53 |
| | 40 - 42 | 22 | 29 | 45 |
| | 58 - 80 | 20 | 27 | 42 |
| | 115 | 20 | 25 | 39 |
| | 2 x 18 | 22 | 34 | 53 |
| | 2 x 20 | 22 | 29 | 45 |
| | 2 x 36 - 42 | 20 | 27 | 42 |
| | 2 x 58 | 20 | 25 | 39 |
| | 2 x 65 | 14 | 23 | 36 |
| | 2 x 80 | 14 | 20 | 31 |
| | 2 x 115 | 10 | 17 | 25 |
| | 15 - 20 | 22 | 36 | 57 |
| | 36 | 22 | 34 | 53 |
| | 40 - 42 | 22 | 29 | 45 |
| | 58 - 80 | 20 | 27 | 42 |
| | 115 | 20 | 25 | 39 |
| | 2 x 18 | 22 | 34 | 53 |
| | 2 x 20 | 22 | 29 | 45 |
| | 2 x 36 - 42 | 20 | 27 | 42 |
| | 2 x 58 | 20 | 25 | 39 |
| | 2 x 65 | 14 | 23 | 36 |
| | 2 x 80 | 14 | 20 | 31 |
| | 2 x 115 | 10 | 17 | 25 |
| | 15 - 20 | 22 | 36 | 57 |
| | 36 | 22 | 34 | 53 |
| | 40 - 42 | 22 | 29 | 45 |
| | 58 - 80 | 20 | 27 | 42 |
| | 115 | 20 | 25 | 39 |
| | 2 x 18 | 22 | 34 | 53 |
| | 2 x 20 | 22 | 29 | 45 |
| | 2 x 36 - 42 | 20 | 27 | 42 |
| | 2 x 58 | 20 | 25 | 39 |
| | 2 x 65 | 14 | 23 | 36 |
| | 2 x 80 | 14 | 20 | 31 |
| | 2 x 115 | 10 | 17 | 25 |
| | 15 - 20 | 22 | 36 | 57 |
| | 36 | 22 | 34 | 53 |
| | 40 - 42 | 22 | 29 | 45 |
| | 58 - 80 | 20 | 27 | 42 |
| | 115 | 20 | 25 | 39 |
| | 2 x 18 | 22 | 34 | 53 |
| | 2 x 20 | 22 | 29 | 45 |
| | 2 x 36 - 42 | 20 | 27 | 42 |
| | 2 x 58 | 20 | 25 | 39 |
| | 2 x 65 | 14 | 23 | 36 |
| | 2 x 80 | 14 | 20 | 31 |
| | 2 x 115 | 10 | 17 | 25 |
| | 15 - 20 | 22 | 36 | 57 |
| | 36 | 22 | 34 | 53 |
| | 40 - 42 | 22 | 29 | 45 |
| | 58 - 80 | 20 | 27 | 42 |
| | 115 | 20 | 25 | 39 |
| | 2 x 18 | 22 | 34 | 53 |
| | 2 x 20 | 22 | 29 | 45 |
| | 2 x 36 - 42 | 20 | 27 | 42 |
| | 2 x 58 | 20 | 25 | 39 |
| | 2 x 65 | 14 | 23 | 36 |
| | 2 x 80 | 14 | 20 | 31 |
| | 2 x 115 | 10 | 17 | 25 |
| | 15 - 20 | 22 | 36 | 57 |
| | 36 | 22 | 34 | 53 |
| | 40 - 42 | 22 | 29 | 45 |
| | 58 - 80 | 20 | 27 | 42 |
| | 115 | 20 | 25 | 39 |
| | 2 x 18 | 22 | 34 | 53 |
| | 2 x 20 | 22 | 29 | 45 |
| | 2 x 36 - 42 | 20 | 27 | 42 |
| | 2 x 58 | 20 | 25 | 39 |
| | 2 x 65 | 14 | 23 | 36 |
| | 2 x 80 | 14 | 20 | 31 |
| | 2 x 115 | 10 | 17 | 25 |
| | 15 - 20 | 22 | 36 | 57 |
| | 36 | 22 | 34 | 53 |
| | 40 - 42 | 22 | 29 | 45 |
| | 58 - 80 | 20 | 27 | 42 |
| | 115 | 20 | 25 | 39 |
| | 2 x 18 | 22 | 34 | 53 |
| | 2 x 20 | 22 | 29 | 45 |
| | 2 x 36 - 42 | 20 | 27 | 42 |
| | 2 x 58 | 20 | 25 | 39 |
| | 2 x 65 | 14 | 23 | 36 |
| | 2 x 80 | 14 | 20 | 31 |
| | 2 x 115 | 10 | 17 | 25 |
| | 15 - 20 | 22 | 36 | 57 |
| | 36 | 22 | 34 | 53 |
| | 40 - 42 | 22 | 29 | 45 |
| | 58 - 80 | 20 | 27 | 42 |
| | 115 | 20 | 25 | 39 |
| | 2 x 18 | 22 | 34 | 53 |
| | 2 x 20 | 22 | 29 | 45 |
| | 2 x 36 - 42 | 20 | 27 | 42 |
| | 2 x 58 | 20 | 25 | 39 |
| | 2 x 65 | 14 | 23 | 36 |
| | 2 x 80 | 14 | 20 | 31 |
| | 2 x 115 | 10 | 17 | 25 |
| | 15 - 20 | 22 | 36 | 57 |
| | 36 | 22 | 34 | 53 |
| | 40 - 42 | 22 | 29 | 45 |
| | 58 - 80 | 20 | 27 | 42 |
| | 115 | 20 | 25 | 39 |
| | 2 x 18 | 22 | 34 | 53 |
| | 2 x 20 | 22 | 29 | 45 |
| | 2 x 36 - 42 | 20 | 27 | 42 |
| | 2 x 58 | 20 | 25 | 39 |
| | 2 x 65 | 14 | 23 | 36 |
| | 2 x 80 | 14 | 20 | 31 |
| | 2 x 115 | 10 | 17 | 25 |
| | 15 - 20 | 22 | 36 | 57 |
| | 36 | 22 | 34 | 53 |
| | 40 - 42 | 22 | 29 | 45 |
| | 58 - 80 | 20 | 27 | 42 |
| | 115 | 20 | 25 | 39 |
| | 2 x 18 | 22 | 34 | 53 |
| | 2 x 20 | 22 | 29 | 45 |
| | 2 x 36 - 42 | 20 | 27 | 42 |
| | 2 x 58 | 20 | 25 | 39 |
| | 2 x 65 | 14 | 23 | 36 |
| | 2 x 80</ | | | |