

# Catalogue No: **DPA-51-C-M44**

## MON RLY 3PH PHASE SEQ/LOSS OWN SUPPLY 208-480V AC 1 C/O

Timers and Control Relays > Monitoring Relays > Voltage, Current, Phase and Power Factor Monitoring Relays > Carlo Gavazzi Voltage / Current / Phase and Power Monitoring > Phase Sequence and Loss Relays > Three-Phase



Representative Photo Only  
(actual product may vary based on configuration selections)

### Phase monitoring relays, 3-phase, sequence and phase loss, 208 - 480V AC

- Comprehensive range of monitoring controls for monitoring of phase loss, incorrect phase sequence, phase unbalance, over / under current, over / under load, over / under frequency, and over / under voltage for any application requirement.
- Range available in a variety of package sizes and mounting (DIN or Plug-in) to suit any preference.
- International certifications including ISO 9001 with wide install base ensuring delivery of a quality tested product.

#### SPECIFICATIONS

|  |  |
|--|--|
| Product Series                             | DPA  |
| Component Type Timers and Control relays   | Monitoring Relay                                 |
| Signal Type(s)                             | AC: 3-Phase                                      |
| Measurement Range(s)                       | 177 ... 550V AC                                  |
| Umin, Supply Voltage, AC, Min              | 208 V AC   |
| Umax, Supply Voltage, AC, Max              | 480 V AC   |
| Ie, Rated Operational Current, AC-1, 250V  | 5 A@250V   |
| Ie, Rated Operational Current, AC-15, 250V | 2.5 A@250V                                       |
| Ie, Rated Operational Current, DC-12, 24V  | 5 A@24V  |
| Ie, Rated Operational Current, DC-13, 24V  | 2.5 A@24V  |
| Ui, Rated Insulation Voltage               | 250 V (rms)                                      |
| Rated Frequency                            | 50 / 60 Hz                                       |
| Overvoltage Category                       | III  |
| Contact Configuration                      | 1 CO   |
| Uimp, Impulse Withstand Voltage            | 4 kV   |
| Details, Output(s)                         | 5A SPDT relay normally energized                 |
| Supply Power, Rated, AC 50Hz               | 13 VA  |
| Terminal Type                              | Screw Terminal(s)                                |
| Mounting                                   | DIN-35 Rail Mount                                |
| Material, Body / Housing                   | Noryl material                                   |
| Material, Contacts                         | Silver Tin Oxide (AgSnO <sub>2</sub> ) material  |
| IP Rating                                  | IP20   |
| Indicator Type                             | LED  |
| Details, Indicator                         | Power supply ON LED, green. Relay ON LED, yellow |
| Electrical Service Life at Un, In          | 100000 cycles                                    |
| Mechanical Service Life                    | 30000000 cycles                                  |
| Tightening Torque, Max                     | 0.5 Nm   |
| Dielectric Strength                        | ≥ 2 kVAC (rms) V AC                              |

# Catalogue No: **DPA-51-C-M44**

## MON RLY 3PH PHASE SEQ/LOSS OWN SUPPLY 208-480V AC 1 C/O

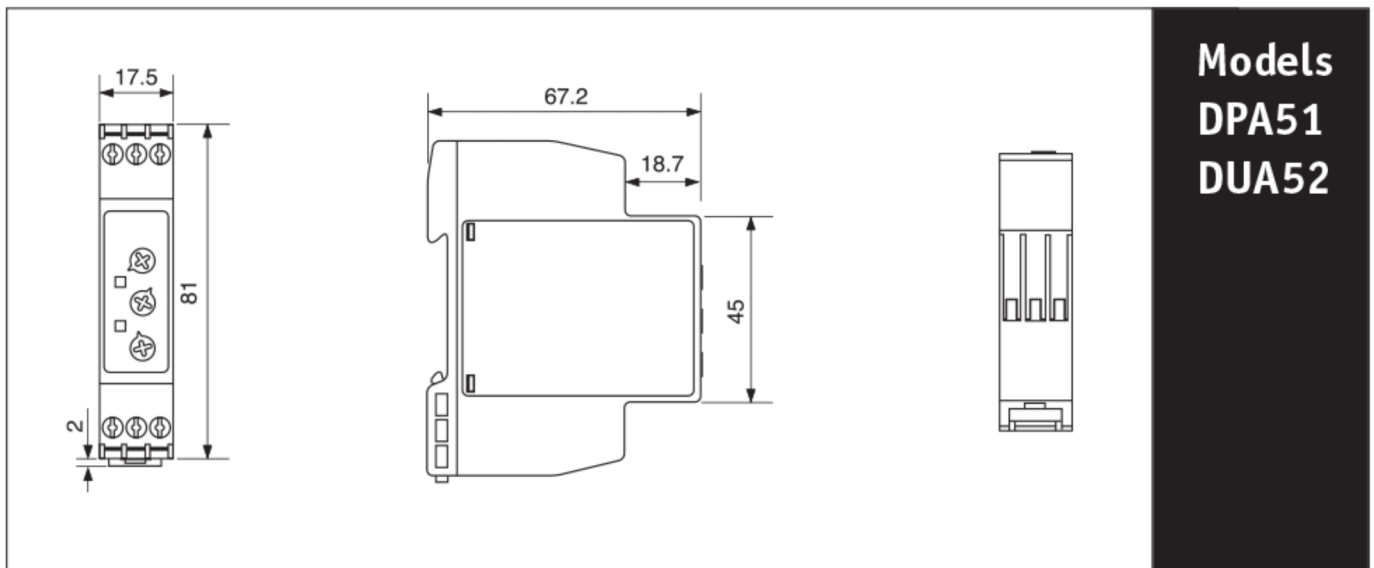
Timers and Control Relays > Monitoring Relays > Voltage, Current, Phase and Power Factor Monitoring Relays > Carlo Gavazzi Voltage / Current / Phase and Power Monitoring > Phase Sequence and Loss Relays > Three-Phase



|                            |  |
|----------------------------|--|
| Pollution Degree           | 3  |
| Storage Temperature, Min   | -30 °C min   |
| Storage Temperature, Max   | 80 °C max  |
| Operating Temperature, Min | -20 °C min   |
| Operating Temperature, Max | 50 °C max  |
| Height                     | 81 mm  |
| Width                      | 17.5 mm  |
| Depth                      | 67.2 mm  |
| Weight                     | 0.075 kg   |
| Standards Compliance       | EN 61000-6-2<br>EN 61000-6-3<br>EN 60947-5-1<br>IEC 60947<br>IEC 60664<br>EN 60529 |
| Certifications             | CE<br>CSA<br>UL  |

### REFERENCES

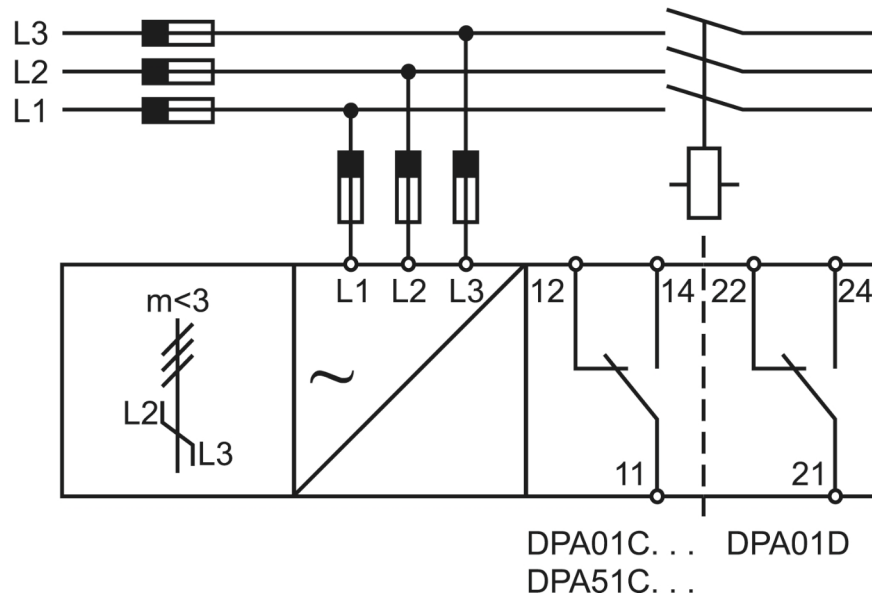
|   |   |
|---|---|
| IECEX Certificate                           | -   |
| Supplier Declaration of Conformity:         | -   |
| Installation Guide:                         | <a href="#">DPA51CM44_Installation Instructions</a> |
| User Manual:                                | -   |
| Manufacturer Datasheet:                     | <a href="#">DPA51CM44_Manufacturer Datasheet</a>    |
| Manufacturer Catalogue & Product Selection: | -   |



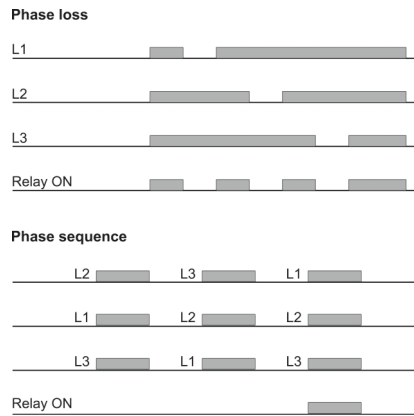


Dimension Diagram

# DPA51 / DPA01



Connection / Wiring Diagram



Technical Diagram