



1746 SLC I/O to Compact 5000 I/O Conversion System

Bulletin Number 1492



Allen-Bradley

by ROCKWELL AUTOMATION

Selection Guide

Original Instructions

What's Inside

Topic	Page
Conversion System Product Selection	3
Conversion Chassis Approximate Dimensions	5
Digital Inputs	9
Digital Outputs	10
Analog Inputs and Outputs	11
Conversion Module Dimensions	12
Specifications	14
Assembled System Dimensions	15
Conversion Module Wiring Diagrams	19
Additional Resources	31

Conversion System Product Selection

I/O conversion modules provide a fast and efficient method for converting 1746 SLC™ I/O to Compact 5000™ I/O. The I/O conversion is accomplished without removing any field wires from the existing terminal block, virtually removing the risk of wiring errors and reducing wiring/installation time. The existing removable terminal block fits directly into the new 1492 conversion modules.

The cables are pre-wired and have a connector for the conversion module on one end and a removable terminal block (RTB) on the other end. The I/O signals are routed through the conversion module and the cable to the appropriate terminals on the Compact 5000 I/O module.

The I/O Conversion System Includes:

Conversion Modules (Example: Cat No: 1492-CM1746-M01)



Conversion Module

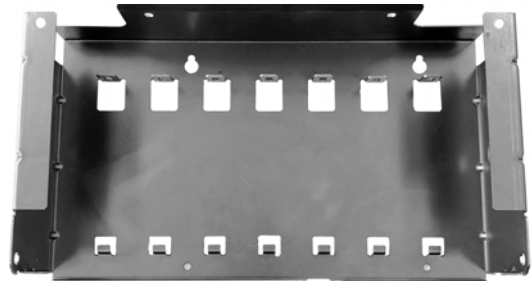
Provides interface from the 1746 SLC I/O removable terminal block to the Compact 5000 I/O system.

Conversion Chassis^(a) (Example: Cat No: 1492-CH1746-7)



Upper Mounting Plate

To mount the Compact 5000 I/O system modules and to protect the conversion modules.



Lower Mounting Plate

To mount conversion modules.



Chassis Mounting Hardware

To attach the upper mounting plate to the lower mounting plate.

(a) The conversion chassis includes the upper and lower mounting plates and hardware. Two 1492-EAHJ35 end anchors (not included) are needed to secure the Compact 5000 I/O system to the din rail.

Conversion Chassis Selection Instructions

Conversion Modules must be installed in a 1492 Conversion Chassis. Use the following steps to select the proper conversion chassis:

1. Determine the quantity of each type of 1746 SLC I/O modules to be converted to Compact 5000 I/O.

IMPORTANT In some cases two Compact 5000 I/O modules may be required for one 1746 SLC I/O module.

2. Review the Max Slots for I/O and chassis width data table below, and select a 1492 Conversion Chassis which meets your conversion needs from step 1.

The combined depth of the conversion chassis with the CompactLogix™ 5380 & Compact 5000 I/O system mounted is 8.75 inches. Dimension drawings are included in the System Installation Manual that ships with the conversion chassis assembly.

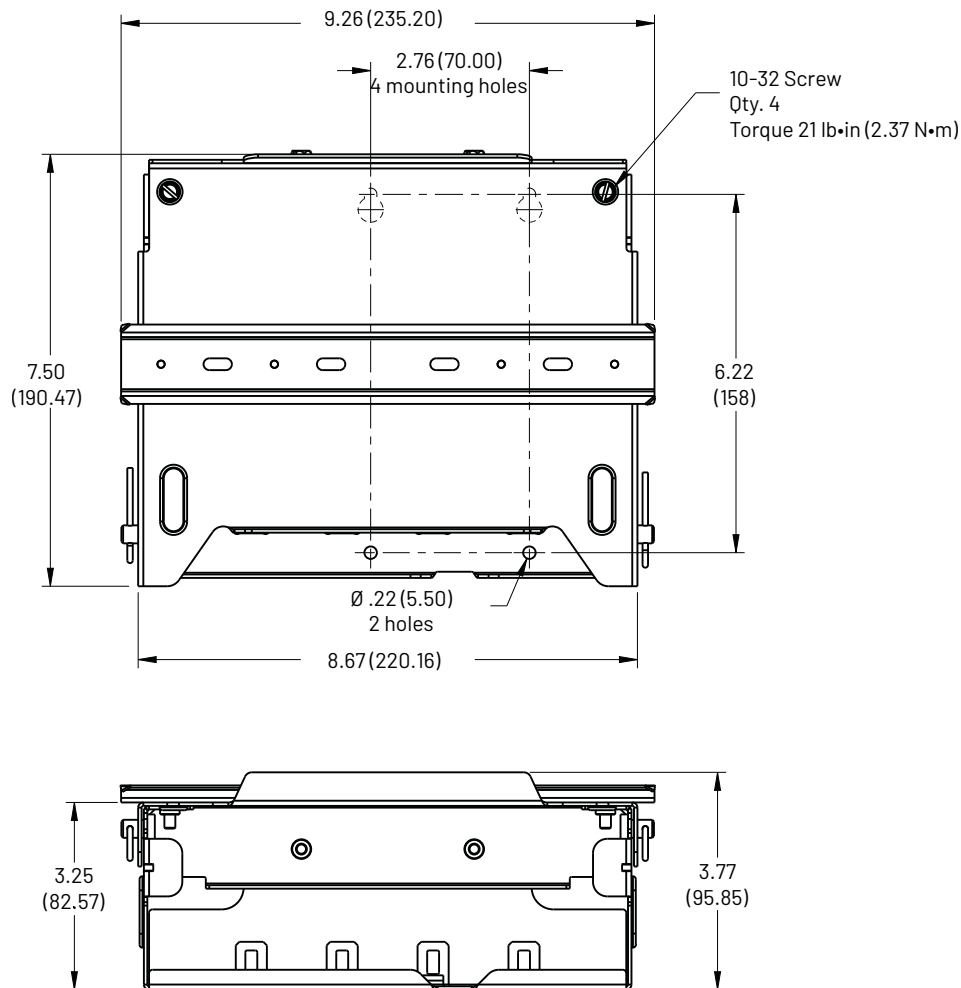
1746 SLC I/O to Compact 5000 I/O Conversion Chassis

1746 Chassis	1492 Conversion Chassis	1746 SLC I/O Maximum Slots	Chassis Length in. (mm)	Usable Length	Maximum Number of Compact 5000 I/O Cards
1746-A4	1492-CH1746-4	4	9.25 (235)	8 (203)	4
1746-A7	1492-CH1746-7	7	13.33 (339)	12.08 (307)	9
1746-A10	1492-CH1746-10	10	17.88 (454)	16.63 (422)	14
1746-A13	1492-CH1746-13	13	22 (559)	20.75 (527)	19

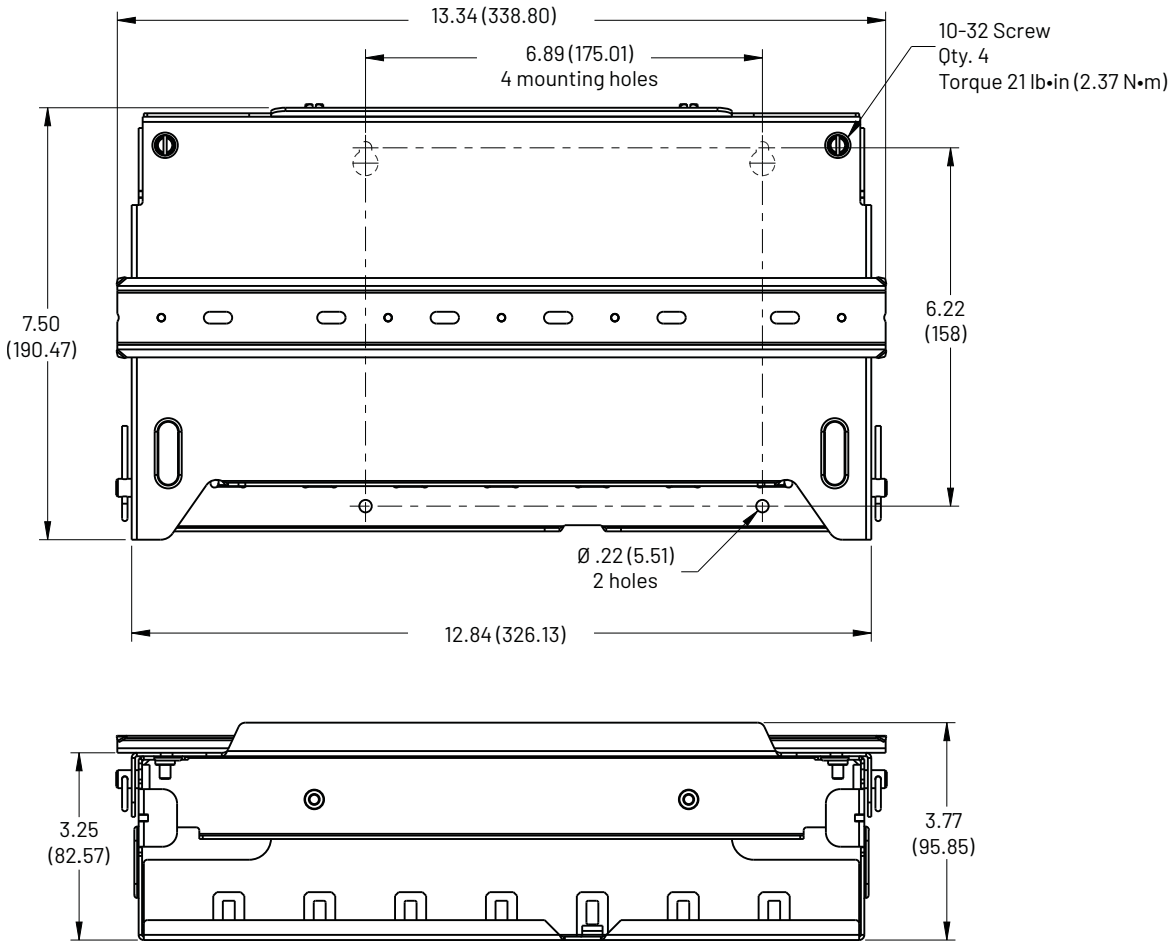
Conversion Chassis Approximate Dimensions

Approximate dimensions are shown in inches (millimeters) and are not intended to be used for manufacturing purposes.

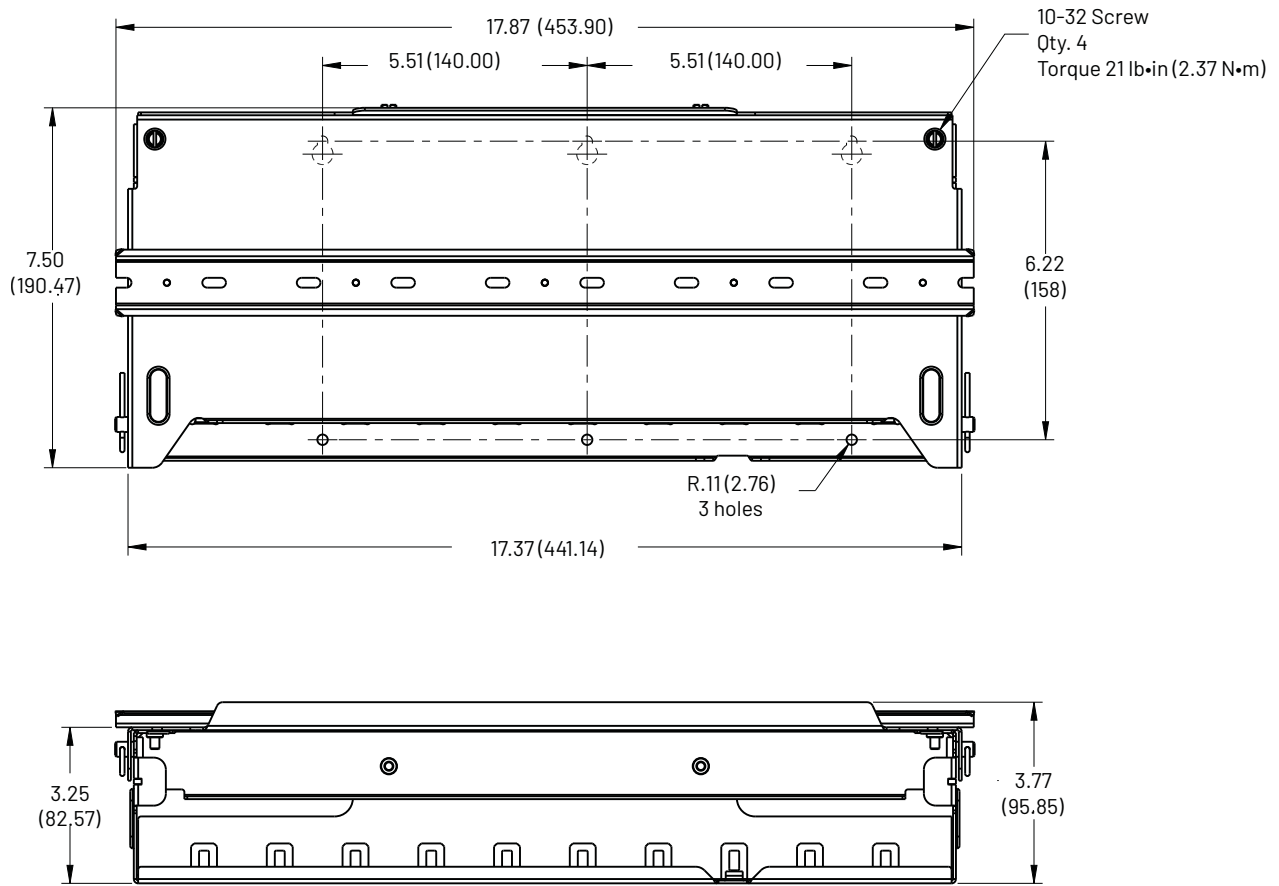
1492-CH1746-4



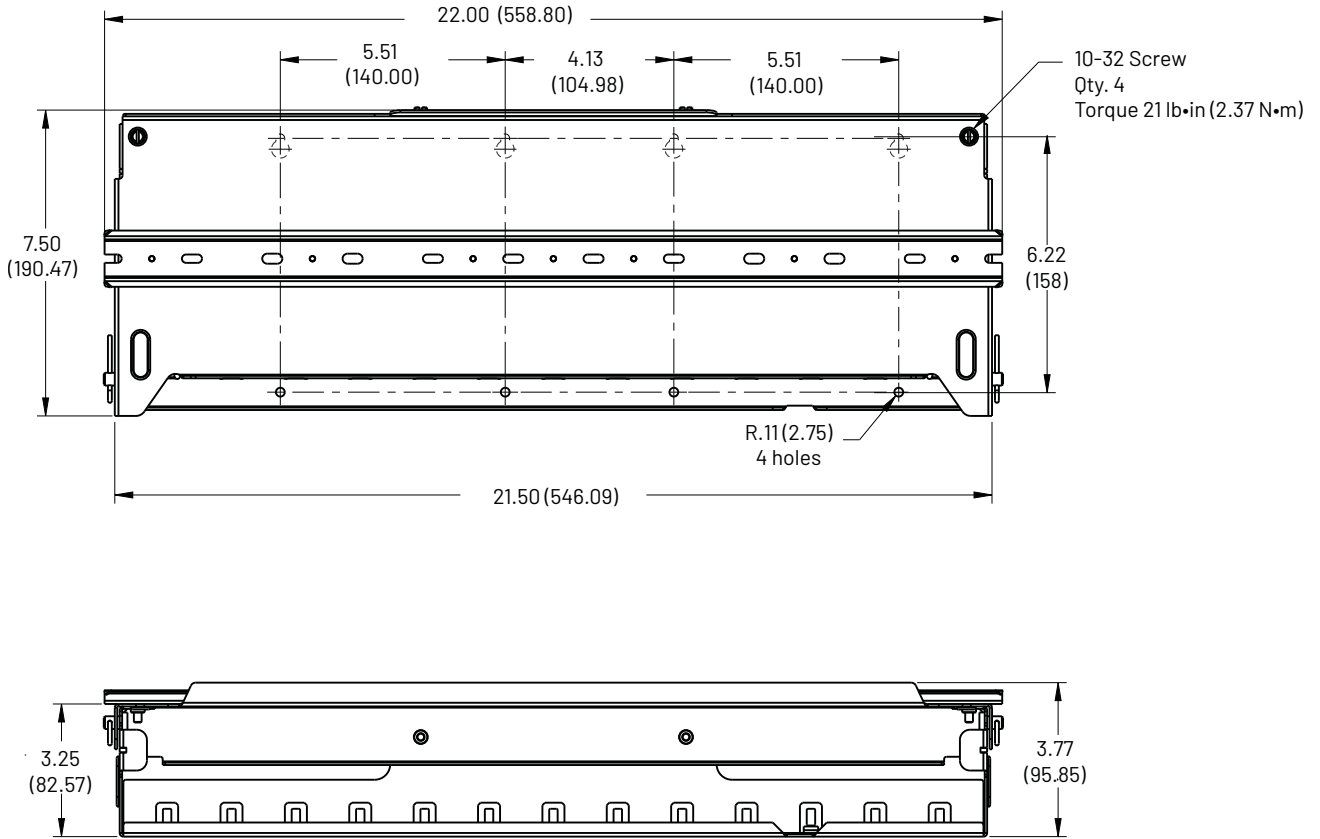
1492-CH1746-7



1492-CH1746-10



1492-CH1746-13



Digital Inputs

IMPORTANT Check the technical specification of the respective Compact 5000 I/O electrical specification before proceeding with the conversion to confirm the new modules is able to support the users' field devices.

1. Column 1: find the catalog number of the 1746 SLC I/O you are converting from.
2. Column 2: find the catalog number of the compatible Compact 5000 I/O module you are converting to. Determine the number of Compact 5000 I/O modules required.

IMPORTANT In some cases two Compact 5000 I/O modules may be required for one 1746 SLC I/O module. Select the applicable 1492 conversion modules from the Conversion Module Selection Table below.

3. Column 3: find the catalog number of the Conversion Module.

1746 SLC I/O Module Catalog Number	Compact 5000 I/O Modules Catalog Number	Conversion Module Catalog Number	1746 SLC I/O Description
1746-IA16	5069-IA16	1492-CM1746-M01	120V AC Input Module
1746-IM16	5069-IA16		240V AC Input Module
1746-IB16	5069-IB16		Current Sinking DC Input Module
1746-ITB16	5069-IB16		Fast Response DC Sinking Input Module
1746-IB32	5069-IB16 (Qty. 2)	1492-CM1746-M12	Current Sinking DC Input Module

Digital Outputs

IMPORTANT Check the technical specification of the respective Compact 5000 I/O electrical specification before proceeding with the conversion to confirm the new modules is able to support the users' field devices.

1. Column 1: find the catalog number of the 1746 SLC I/O module you are converting from.
2. Column 2: find the catalog number of the compatible Compact 5000 I/O module you are converting to. Determine the number of Compact 5000 I/O modules required.

IMPORTANT In some cases two Compact 5000 I/O modules may be required for one 1746 module. Select the applicable 1492 conversion module from the following table.

3. Column 3: find the catalog number of the Conversion Module.

1746 SLC I/O Module Catalog Number	Compact 5000 I/O Modules Catalog Number	Conversion Module Catalog Number	1746 SLC I/O Description
1746-0A16	5069-0A16	1492-CM1746-M02	120/240V AC Output Module
1746-0B16	5069-0B16	1492-CM1746-M03	Current Sourcing DC Output Module
1746-0B16E	5069-0B16		Current Sourcing DC Output Module
1746-0W16	5069-0W16	1492-CM1746-M04	AC/DC Relay Output Module
1746-0B32	5069-0B16 (Qty. 2)	1492-CM1746-M13	Current Sourcing DC Output Module
1746-0B32E	5069-0B16 (Qty. 2)		Current Sourcing DC Output Module

Analog Inputs and Outputs

1. Column 1: find the catalog number of the 1746 SLC I/O module you are converting from.
2. Column 2: find the catalog number of the compatible Compact 5000 I/O module you are converting to. Determine the number of 1746 I/O modules used in the 1746 I/O Chassis to be converted to Compact 5000 I/O. Select the applicable 1492 conversion modules from the Conversion Module Selection Table below.
3. Column 3: Find the conversion module catalog number.

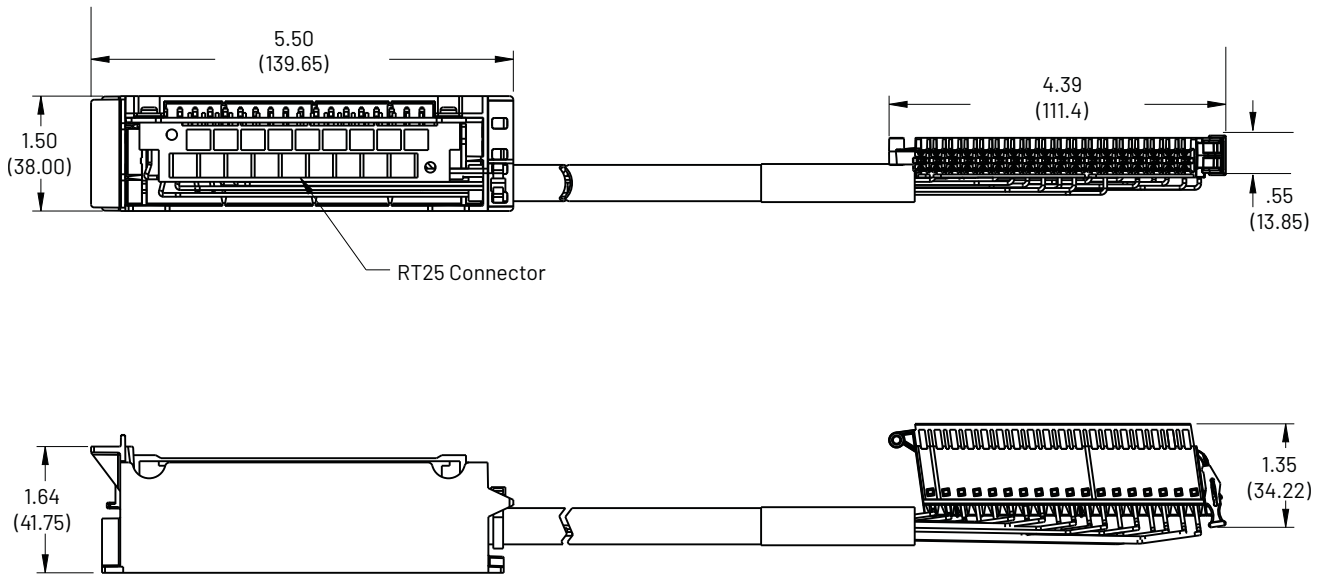
1746 SLC I/O Module Catalog Number	Compact 5000 I/O Modules Catalog Number ⁽¹⁾	Conversion Module Catalog Number	Conversion Module Description
1746-NI8	5069-IF8	1492-CM1746-M05	High Resolution (8) Analog Input Module
1746-NI4	5069-IY4	1492-CM1746-M06	High Resolution (4) Analog Input Module
1746-NR4	5069-IY4	1492-CM1746-M07	SLC 500 RTD/Resistance Input Module
1746-NT4	5069-IY4	1492-CM1746-M09	4-Channel Thermocouple/mV Input Module
1746-N04I	5069-OF4	1492-CM1746-M10	4-Point Analog Output Module (Current)
1746-N04V	5069-OF4		4-Point Analog Output Module (Voltage)
1746-N08I	5069-OF8	1492-CM1746-M11	8-Point Analog Output Module (Current)
1746-N08V	5069-OF8		8-Point Analog Output Module (Voltage)

(1) Catalog numbers 5069-IF8 and 5069-IY4 support differential inputs only.

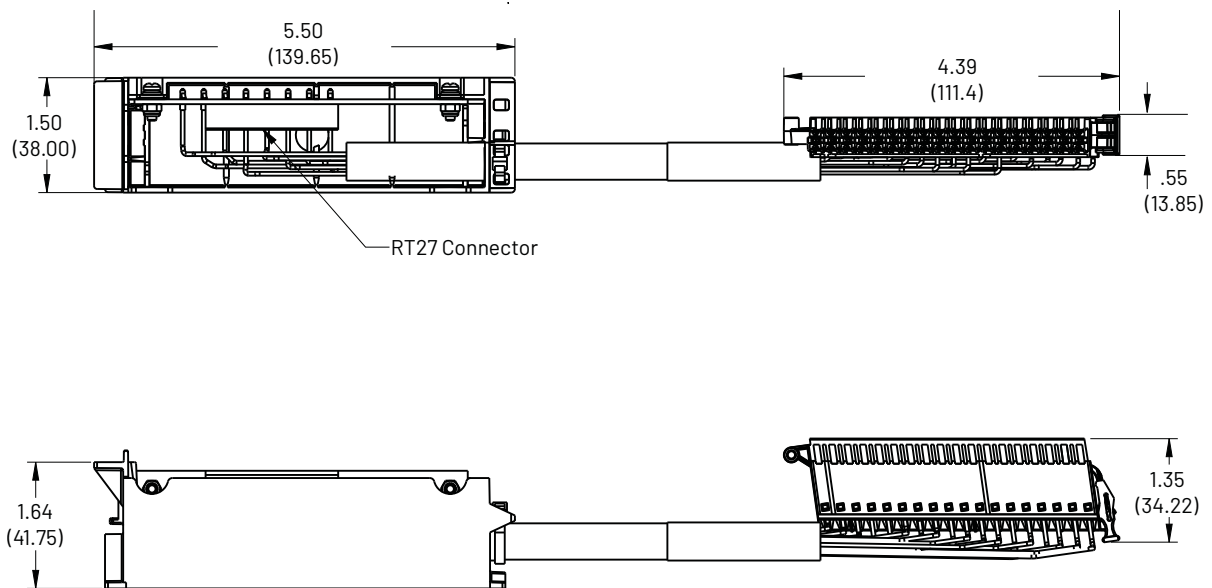
Conversion Module Approximate Dimensions

Approximate dimensions are shown in inches (millimeters) and are not intended to be used for manufacturing purposes.

1492-CM1746-M01, -M02, -M03, -M04, -M05, -M07, M09, M11 (a)

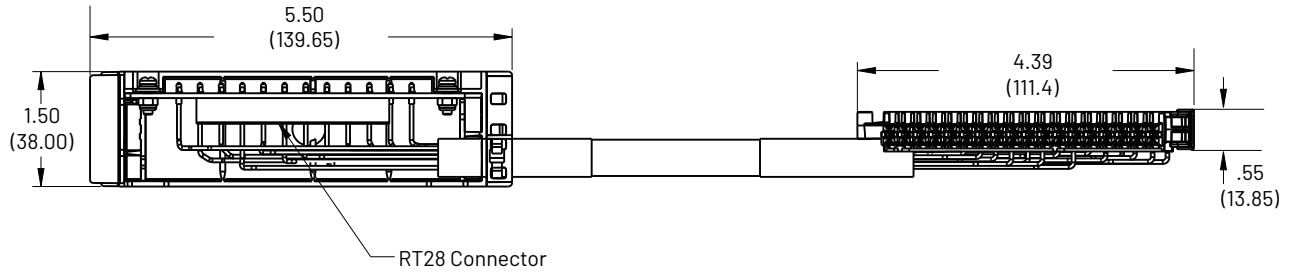


1492-CM1746-M10 (a)



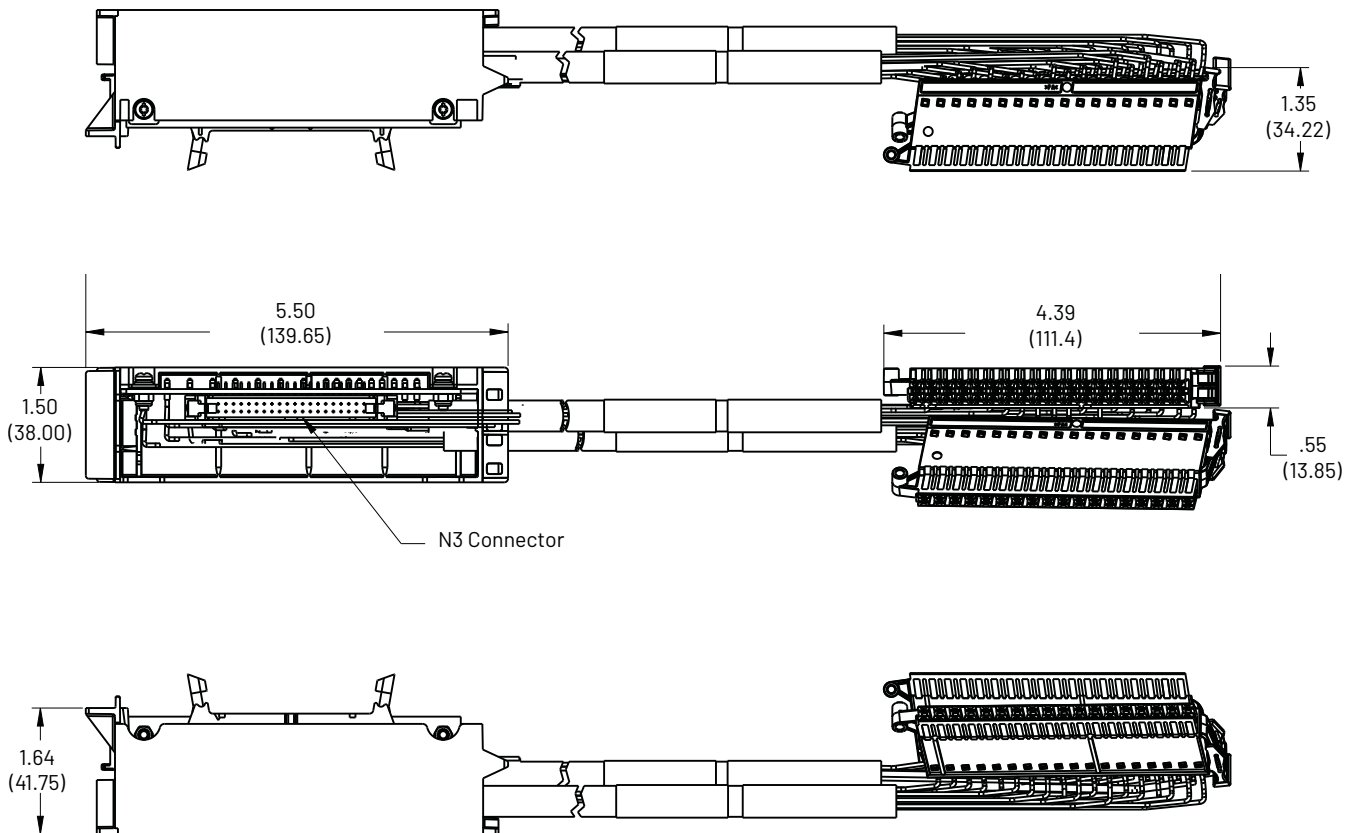
(a) Total length of the conversion module is approximately 23 in. (584.2 mm)

1492-CM1746-M06 (a)



1492-CM1746-M12, -M13(a)

Contains two 5069-RTB18 connectors.



(a) Total length of the conversion module is approx 23 in. (584.2 mm)

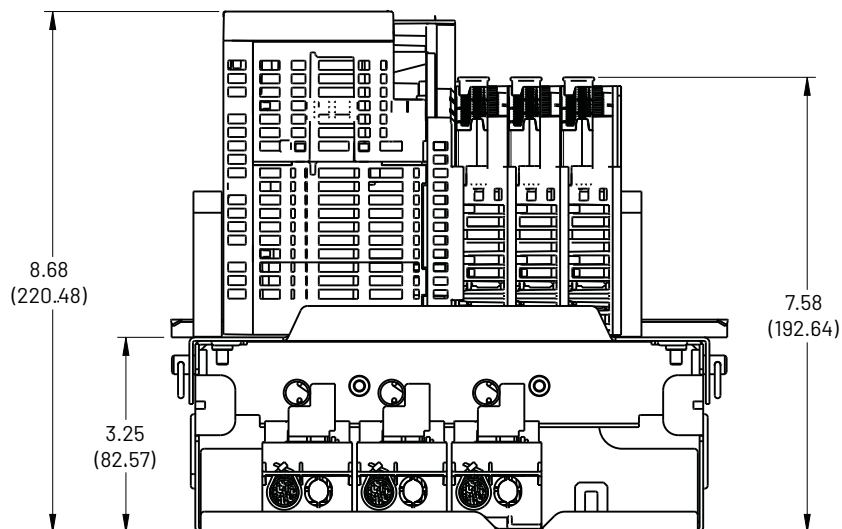
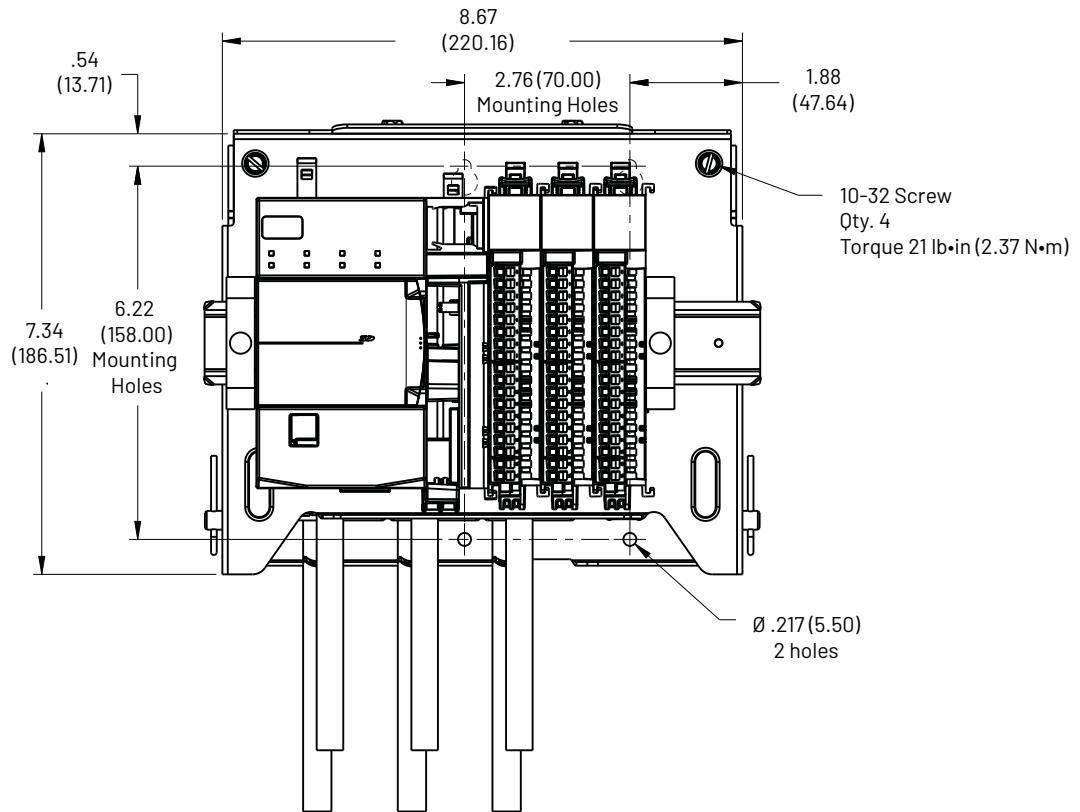
Specifications

Attribute	Value
Storage Temperature	-40...+85 °C (-40...+185 °F)
Operating Temperature	0...+60 °C (+32...+140 °F)
Operating Humidity	5...95% at +55 °C (+131 °F)
Shock (non-operating)	50 g
Shock (operating)	30 g
Standards Compliance	UL Classified (UL File No. E113724)
Certifications	Compliant for all applicable directives
Environmental Rating	RoHS/EAC

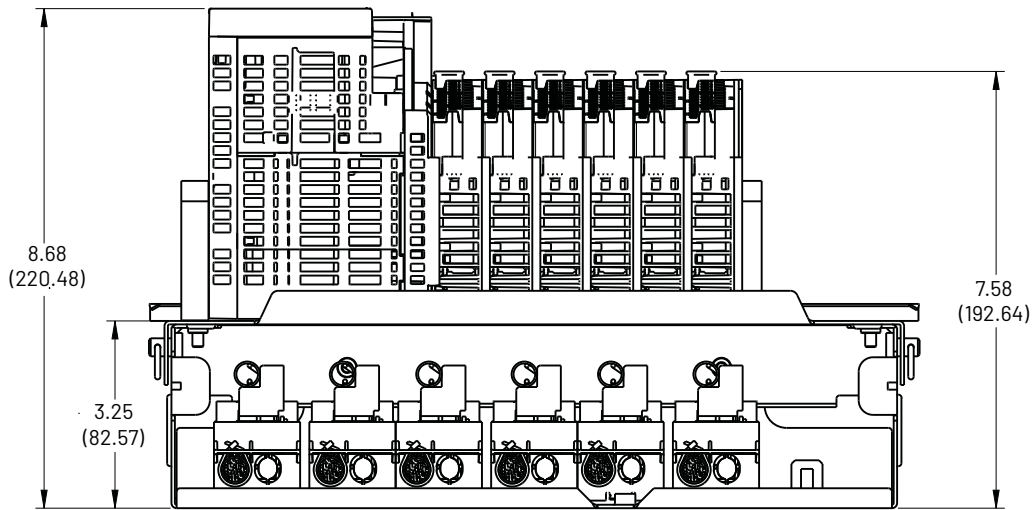
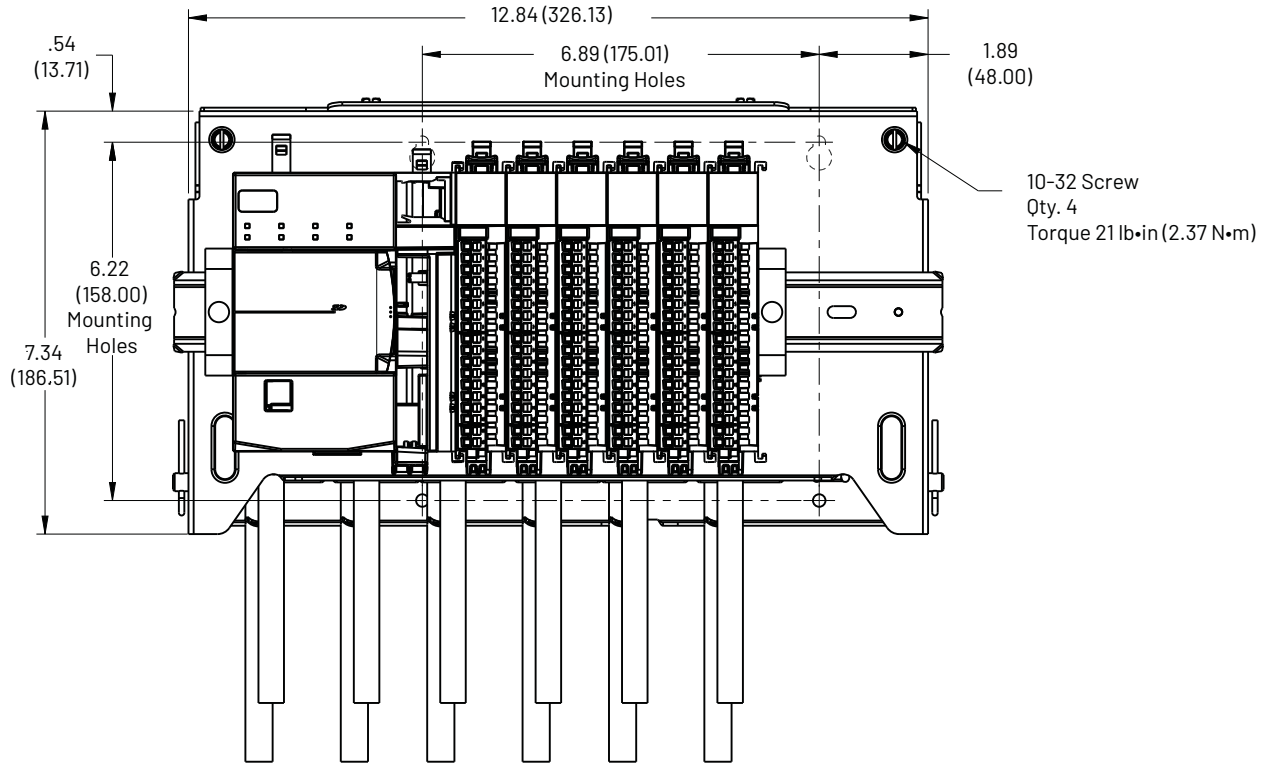
Assembled System Approximate Dimensions

Approximate dimensions are shown in inches (millimeters) and are not intended to be used for manufacturing purposes.

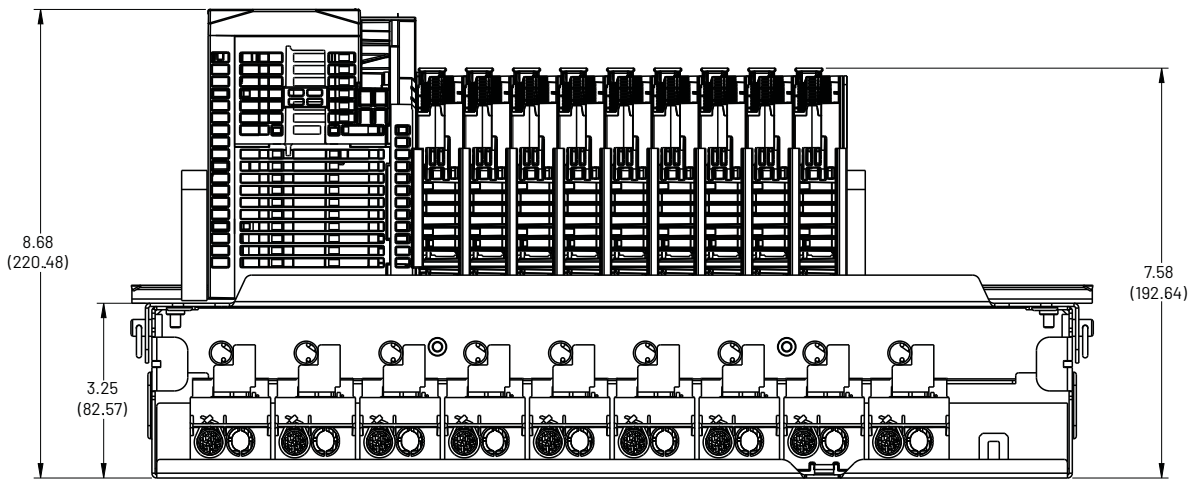
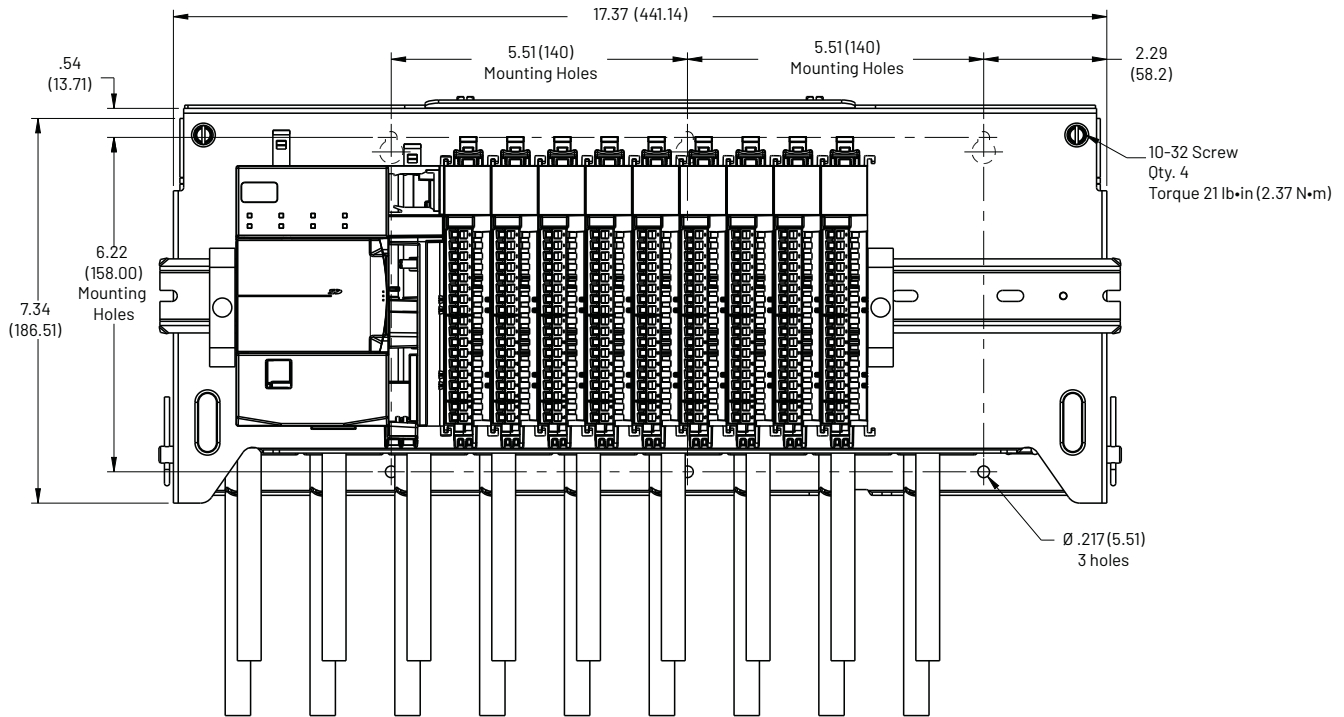
1492-CH1746-4 Assembly with 5380 CompactLogix



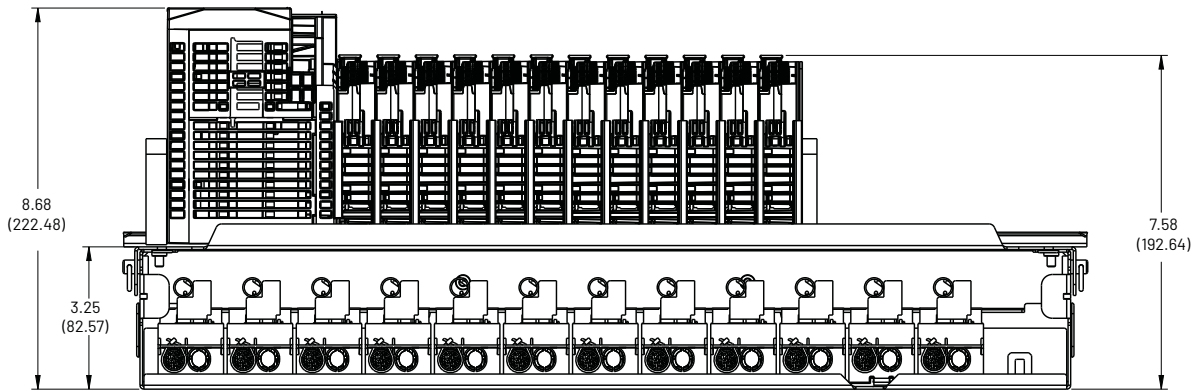
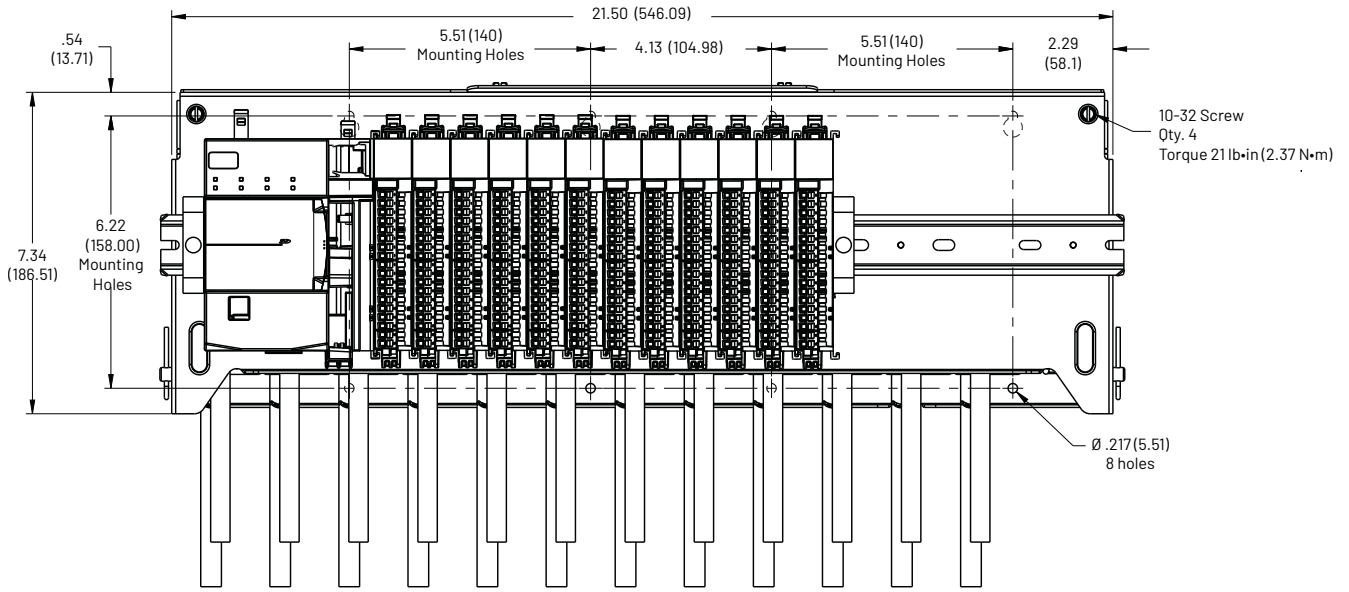
1492-CH1746-7 Assembly with 5380 CompactLogix



1492-CH1746-10 Assembly with 5380 CompactLogix



1492-CH1746-13 Assembly with 5380 CompactLogix



Conversion Module Wiring Diagrams

IMPORTANT • See [Additional Resources on page 31](#) for a list of complete installation instructions.

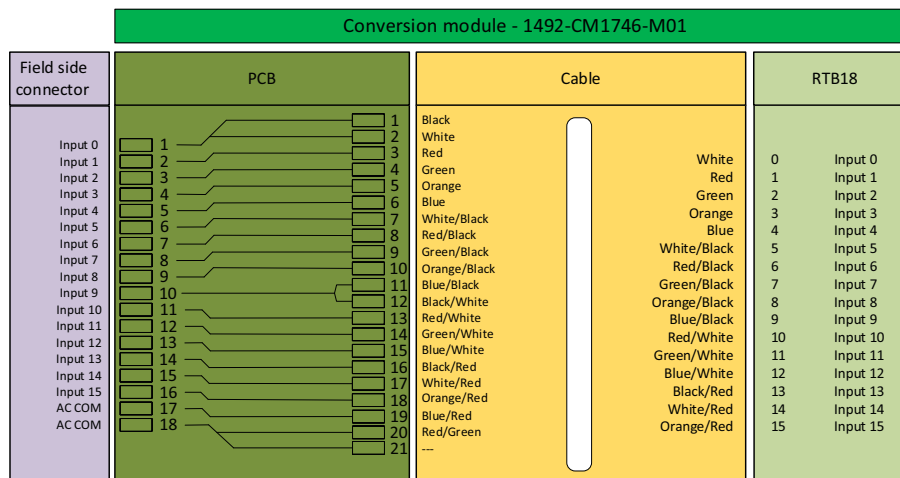
1492-CM1746-M01 Conversion Module



This conversion module may be used to connect signals from 1746 SLC I/O modules to Compact 5000 I/O modules. The conversion module directly accepts the 1746 removable terminal block. One end of the 1492 conversion module is an 18 point removable terminal block that installs directly to the Compact 5000 I/O modules. The other end is a female connector to which the 1746 removable terminal block is installed directly.

- IMPORTANT**
- AC COM signals are not required/connected for the Compact 5000 I/O system.
 - A 5069-FPD is required when different voltages are used.
 - Verify that the conversion module is matched correctly to the appropriate I/O module.
 - Route power supply wires (not provided for the Compact 5000 I/O system) manually to the controller or field potential distributor (FPD).

Wiring Diagram



Conversions

1746 SLC I/O Module Catalog Number	Compact 5000 I/O Module Catalog Number
1746-IA16	5069-IA16
1746-IM16	5069-IA16
1746-IB16	5069-IB16
1746-ITB16	5069-IB16

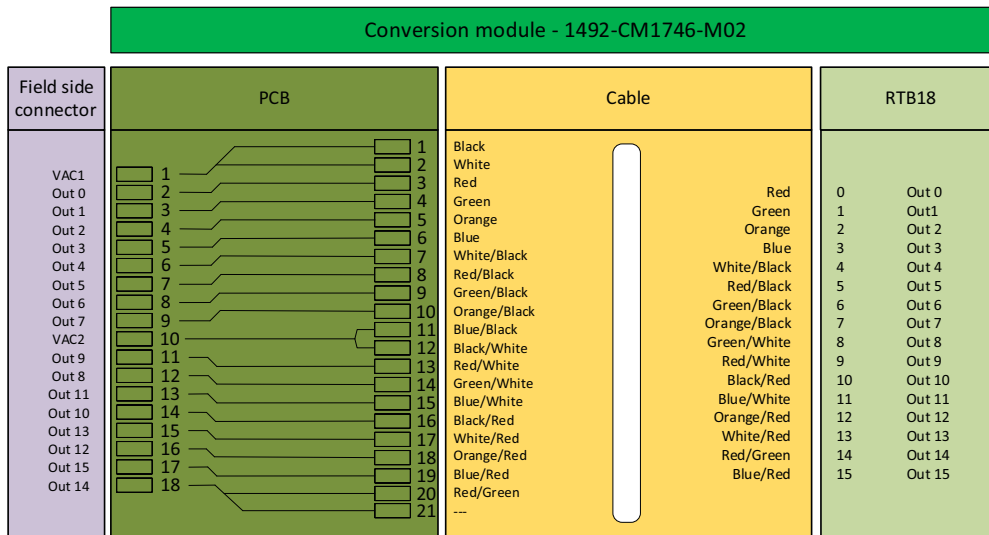
1492-CM1746-M02 Conversion Module



This conversion module may be used to connect signals from 1746 SLC I/O modules to Compact 5000 I/O modules. The conversion module directly accepts the 1746 removable terminal block. One end of the 1492 conversion module is an 18 point removable terminal block that installs directly to the Compact 5000 I/O modules. The other end is a female connector to which the 1746 removable terminal block is installed directly.

- IMPORTANT**
- See [Additional Resources on page 31](#) for a list of complete installation instructions.
 - VAC 1 and VAC 2 signals are not connected/required for the Compact 5000 I/O system.
 - A 5069-FPD is required when different voltages are used.
 - Verify that the conversion module is matched correctly to the appropriate I/O module.

Wiring Diagram



Conversions

1746 SLC I/O Module Catalog Number	Compact 5000 I/O Module Catalog Number
1746-OA16	5069-OA16

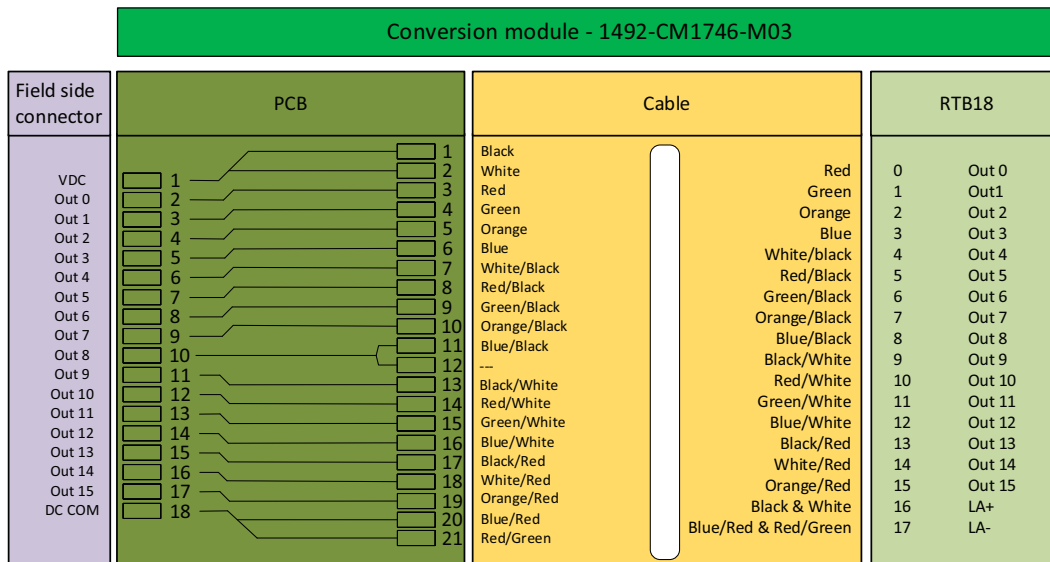
1492-CM1746-M03 Conversion Module



This conversion module may be used to connect signals from 1746 SLC I/O modules to Compact 5000 I/O modules. The conversion module directly accepts the 1746 removable terminal block. One end of the 1492 conversion module is an 18 point removable terminal block that installs directly to the Compact 5000 I/O modules. The other end is a female connector to which the 1746 removable terminal block is installed directly.

- IMPORTANT**
- See [Additional Resources on page 31](#) for a list of complete installation instructions.
 - Verify that the conversion module is matched correctly to the appropriate I/O module.

Wiring Diagram



Conversions

1746 SLC I/O Module Catalog Number	Compact 5000 I/O Module Catalog Number
1746-OB16	5069-OB16
1746-OB16E	5069-OB16

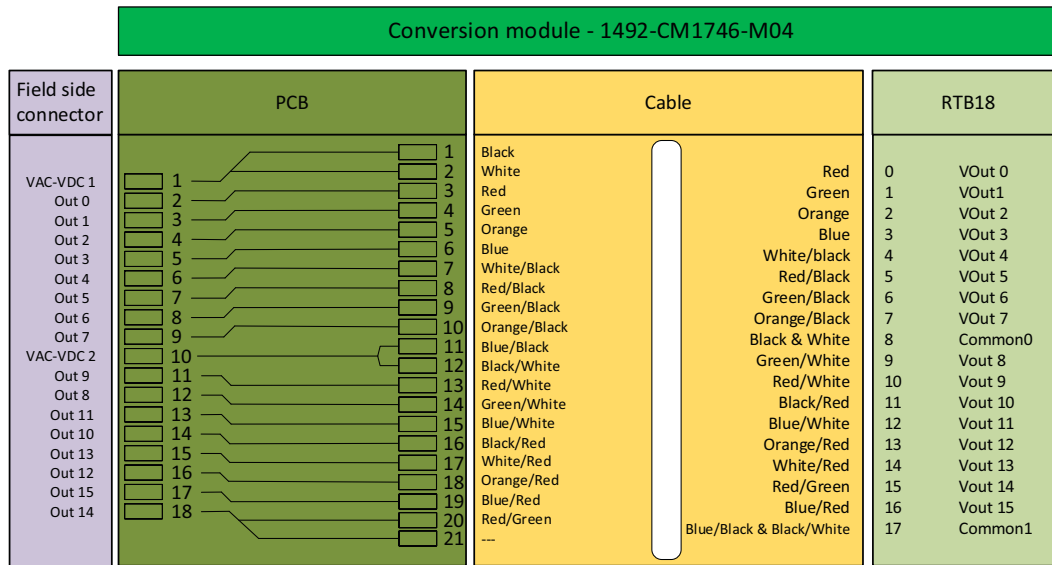
1492-CM1746-M04 Conversion Module



This conversion module may be used to connect signals from 1746 SLC I/O modules to Compact 5000 I/O modules. The conversion module directly accepts the 1746 removable terminal block. One end of the 1492 conversion module is an 18 point removable terminal block that installs directly to the Compact 5000 I/O modules. The other end is a female connector to which the 1746 removable terminal block is installed directly.

- IMPORTANT**
- See [Additional Resources on page 31](#) for a list of complete installation instructions.
 - A 5069-FPD is required when different voltages are used.
 - Verify that the conversion module is matched correctly to the appropriate I/O module.

Wiring Diagram



Conversions

1746 SLC I/O Module Catalog Number	Compact 5000 I/O Module Catalog Number
1746-0W16	5069-0W16

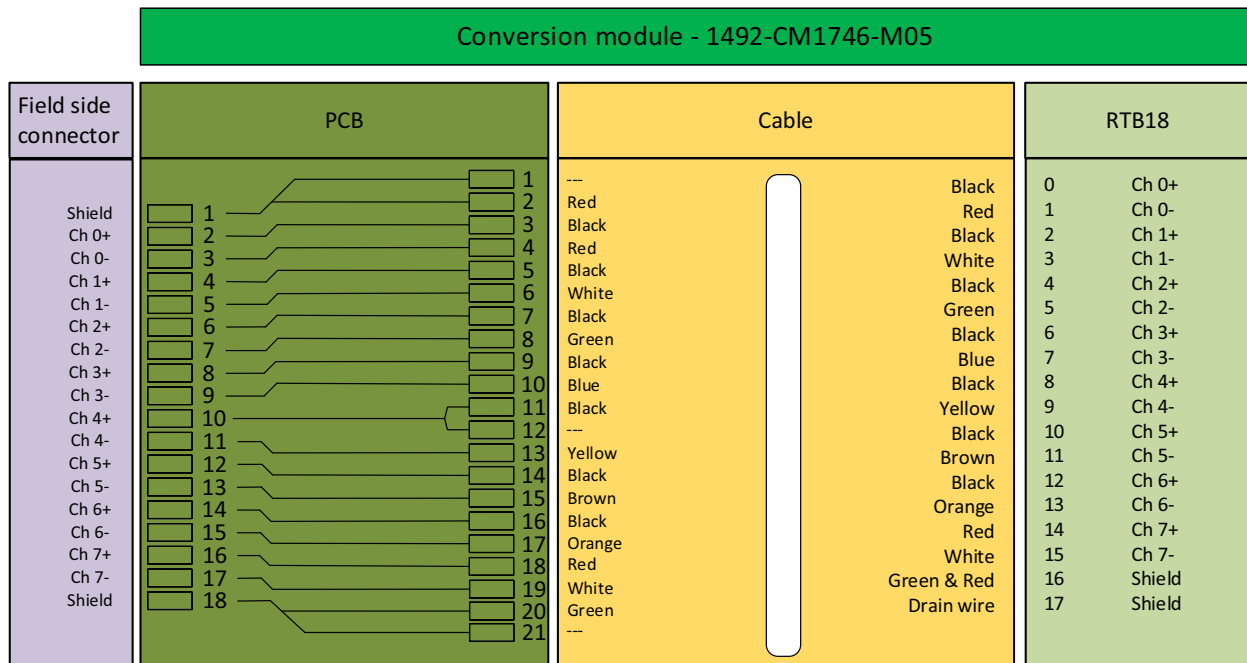
1492-CM1746-M05 Conversion Module



This conversion module may be used to connect signals from 1746 SLC I/O modules to Compact 5000 I/O modules. The conversion module directly accepts the 1746 removable terminal block. One end of the 1492 conversion module is an 18 point removable terminal block that installs directly to the Compact 5000 I/O modules. The other end is a female connector to which the 1746 removable terminal block is installed directly.

- IMPORTANT**
- See [Additional Resources on page 31](#) for a list of complete installation instructions.
 - Verify that the conversion module is matched correctly to the appropriate I/O module.
 - Single-ended sensors are not supported.

Wiring Diagram



Conversions

1746 SLC I/O Module Catalog Number	Compact 5000 I/O Module Catalog Number
1746-NI8	5069-IF8

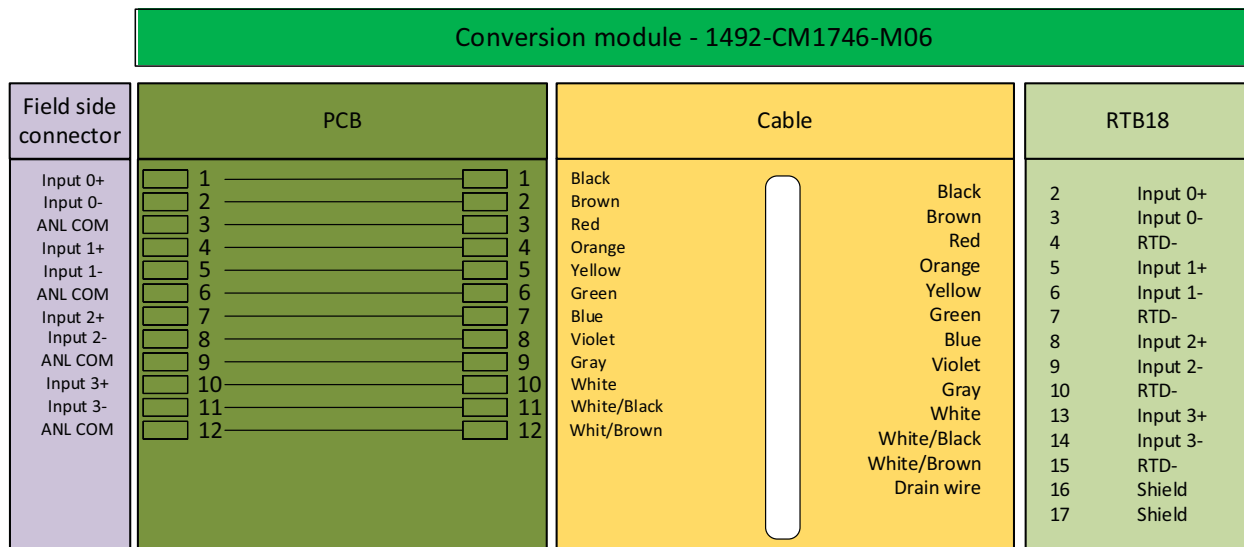
1492-CM1746-M06 Conversion Module



This conversion module may be used to connect signals from 1746 SLC I/O modules to Compact 5000 I/O modules. The conversion module directly accepts the 1746 removable terminal block. One end of the 1492 conversion module is an 18 point removable terminal block that installs directly to the Compact 5000 I/O modules. The other end is a female connector to which the 1746 removable terminal block is installed directly.

- IMPORTANT**
- See [Additional Resources on page 31](#) for a list of complete installation instructions.
 - Verify that the conversion module is matched correctly to the appropriate I/O module.
 - Route power supply wires (not provided for the Compact 5000 I/O system) manually to the controller or field potential distributor (FPD).

Wiring Diagram



Conversions

1746 SLC I/O Module Catalog Number	Compact 5000 I/O Module Catalog Number
1746-NI4	5069-IY4

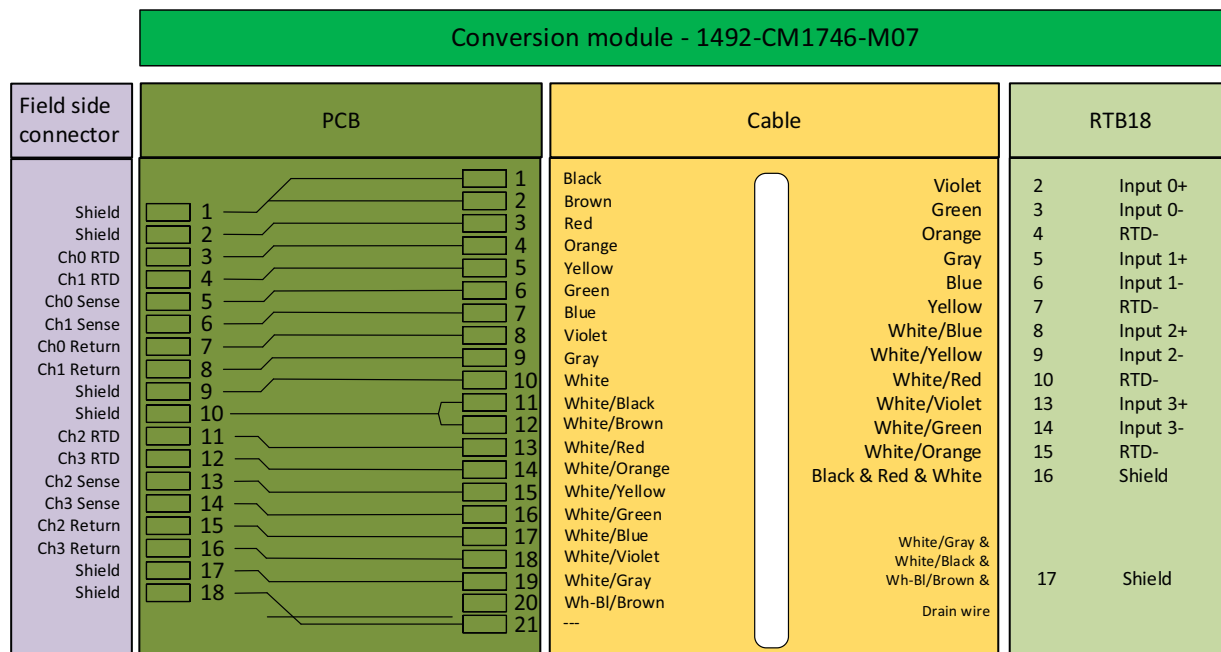
1492-CM1746-M07 Conversion Module



This conversion module may be used to connect signals from 1746 SLC I/O modules to Compact 5000 I/O modules. The conversion module directly accepts the 1746 removable terminal block. One end of the 1492 conversion module is an 18 point removable terminal block that installs directly to the Compact 5000 I/O modules. The other end is a female connector to which the 1746 removable terminal block is installed directly.

- IMPORTANT**
- See [Additional Resources on page 31](#) for a list of complete installation instructions.
 - Verify that the conversion module is matched correctly to the appropriate I/O module.

Wiring Diagram



Conversions⁽¹⁾

1746 SLC I/O Module Catalog Number	Compact 5000 I/O Module Catalog Number
1746-NR4	5069-IY4

(1) In Studio 5000, configure all RTD channels in use (2-wire or 3-wire) in 3-wire mode. Refer to Rockwell Automation publication [5069-UM005](#) for I/O module 5069-IY4 configuration.

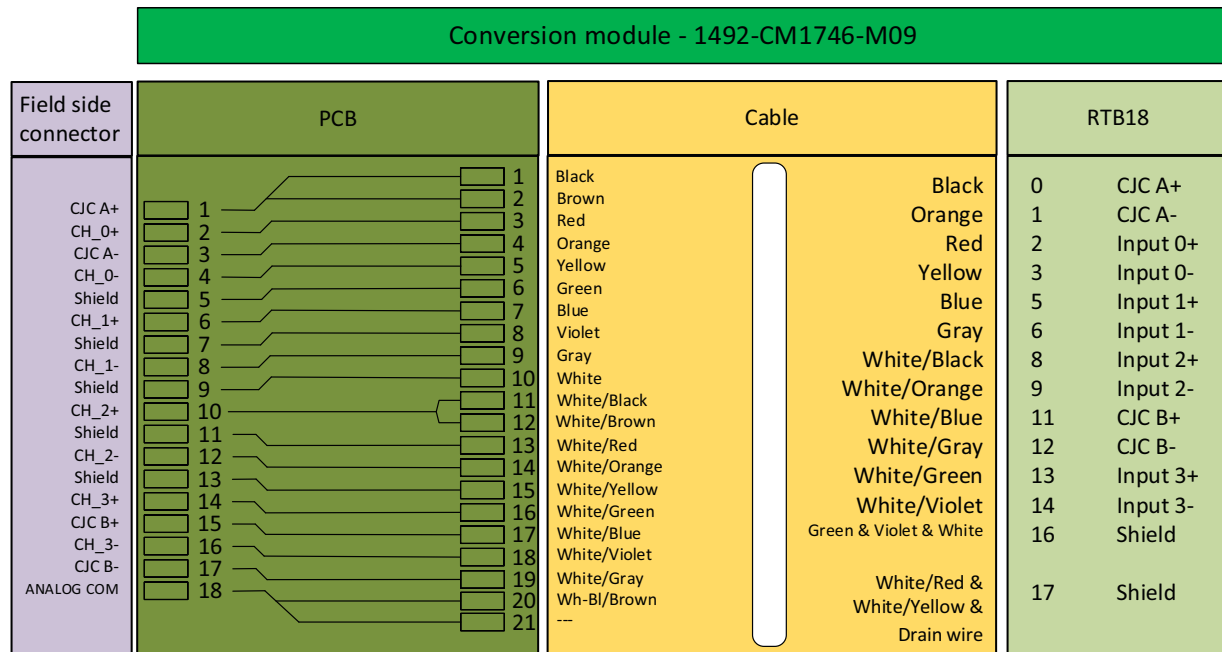
1492-CM1746-M09 Conversion Module



This conversion module may be used to connect signals from 1746 SLC I/O modules to Compact 5000 I/O modules. The conversion module directly accepts the 1746 removable terminal block. One end of the 1492 conversion module is an 18 point removable terminal block that installs directly to the Compact 5000 I/O modules. The other end is a female connector to which the 1746 removable terminal block is installed directly.

- IMPORTANT**
- See [Additional Resources on page 31](#) for a list of complete installation instructions.
 - Verify that the conversion module is matched correctly to the appropriate I/O module.
 - Route Analog COM signal (not provided for the Compact 5000 I/O system) manually.

Wiring Diagram



Conversions

1746 SLC I/O Module Catalog Number	Compact 5000 I/O Module Catalog Number
1746-NT4	5069-IY4

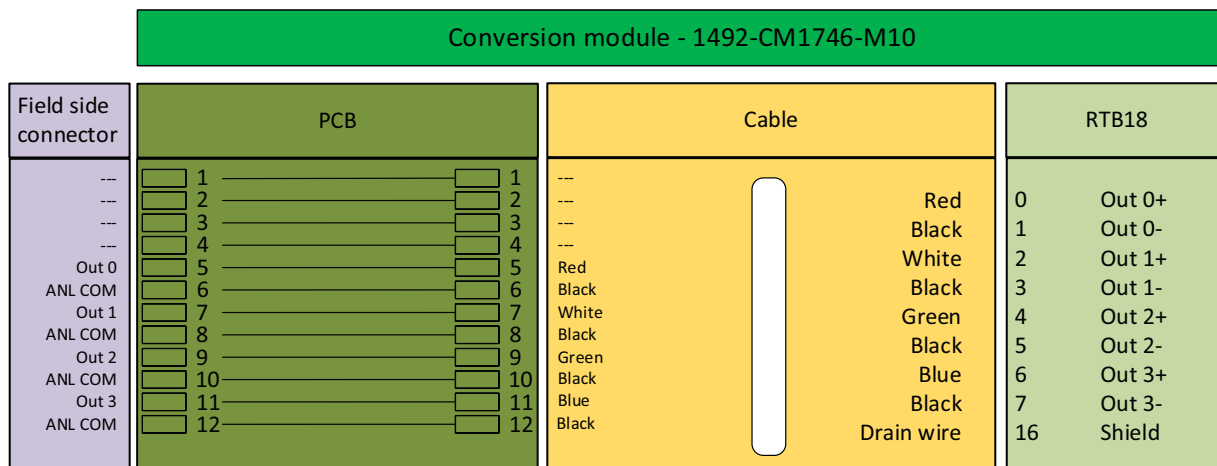
1492-CM1746-M10 Conversion Module



This conversion module may be used to connect signals from 1746 SLC I/O modules to Compact 5000 I/O modules. The conversion module directly accepts the 1746 removable terminal block. One end of the 1492 conversion module is an 18 point removable terminal block that installs directly to the Compact 5000 I/O modules. The other end is a female connector to which the 1746 removable terminal block is installed directly.

- IMPORTANT**
- See [Additional Resources on page 31](#) for a list of complete installation instructions.
 - Verify that the conversion module is matched correctly to the appropriate I/O module.
 - Route power supply wires (not provided for the Compact 5000 I/O system) manually to the controller or field potential distributor (FPD).

Wiring Diagram



Conversions

1746 SLC I/O Module Catalog Number	Compact 5000 I/O Module Catalog Number
1746-N04I	5069-OF4
1746-N04V	5069-OF4

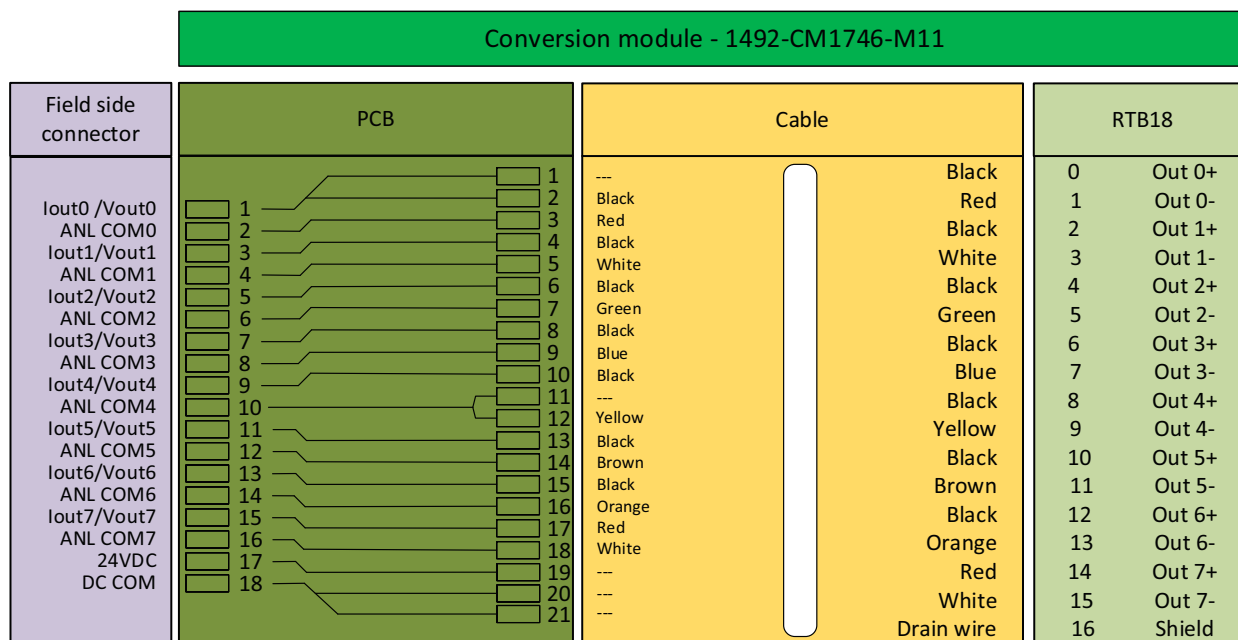
1492-CM1746-M11 Conversion Module



This conversion module may be used to connect signals from 1746 SLC I/O modules to Compact 5000 I/O modules. The conversion module directly accepts the 1746 removable terminal block. One end of the 1492 conversion module is an 18 point removable terminal block that installs directly to the Compact 5000 I/O modules. The other end is a female connector to which the 1746 removable terminal block is installed directly.

- IMPORTANT**
- See [Additional Resources on page 31](#) for a list of complete installation instructions.
 - 24V DC and DC COM signals are not required/connected for the Compact 5000 I/O system.
 - A 5069-FPD is required when different voltages are used.
 - Verify that the conversion module is matched correctly to the appropriate I/O module.
 - Route power supply wires (not provided for the Compact 5000 I/O system) manually to the controller or field potential distributor (FPD).

Wiring Diagram



Conversions

1746 SLC I/O Module Catalog Number	Compact 5000 I/O Module Catalog Number
1746-N08I	5069-OF8
1746-N08V	5069-OF8

1492-CM1746-M12 Conversion Module



This conversion module may be used to connect signals from 1746 SLC I/O modules to Compact 5000 I/O modules. The conversion module directly accepts the 1746 removable terminal block. One end of the 1492 conversion module is an 18 point removable terminal block that installs directly to the Compact 5000 I/O modules. The other end is a female connector to which the 1746 removable terminal block is installed directly.

- IMPORTANT**
- See [Additional Resources on page 31](#) for a list of complete installation instructions.
 - COM signals are not required/connected for the Compact 5000 I/O system.
 - A 5069-FPD is required when different voltages are used.
 - Verify that the conversion module is matched correctly to the appropriate I/O module.
 - Route COM signals (not provided for the Compact 5000 I/O system) manually to the controller or field potential distributor (FPD).

Wiring Diagram

Conversion module - 1492-CM1746-M12						
Field side connector	PCB		Cable		2 x RTB18	
COM	1	1	Black		0	Input0
COM	2	2	White		1	Input1
Input 0	3	3	Red	Red	2	Input2
Input 1	4	4	Green	Green	3	Input3
Input 2	5	5	Orange	Orange	4	Input4
Input 3	6	6	Blue	Blue	5	Input5
Input 4	7	7	White/Black	White/Black	6	Input6
Input 5	8	8	Red/Black	Red/Black	7	Input7
Input 6	9	9	Green/Black	Green/Black	8	Input8
Input 7	10	10	Orange/Black	Orange/Black	9	Input9
Input 8	11	11	Blue/Black	Blue/Black	10	Input10
Input 9	12	12	Black/White	Black/White	11	Input11
Input 10	13	13	Red/White	Red/White	12	Input12
Input 11	14	14	Green/White	Green/White	13	Input13
Input 12	15	15	Blue/White	Blue/White	14	Input14
Input 13	16	16	Black/Red	Black/Red	15	Input15
Input 14	17	17	White/Red	White/Red		
Input 15	18	18	Orange/Red	Orange/Red		
COM	19	19	Blue/Red		0	Input0
COM	20	20	Red/Green		1	Input1
COM	21	21	Black		2	Input2
COM	22	22	White		3	Input3
Input 16	23	23	Red	Red	4	Input4
Input 17	24	24	Green	Green	5	Input5
Input 18	25	25	Orange	Orange	6	Input6
Input 19	26	26	Blue	Blue	7	Input7
Input 20	27	27	White/Black	White/Black	8	Input8
Input 21	28	28	Red/Black	Red/Black	9	Input9
Input 22	29	29	Green/Black	Green/Black	10	Input10
Input 23	30	30	Orange/Black	Orange/Black	11	Input11
Input 24	31	31	Blue/Black	Blue/Black	12	Input12
Input 25	32	32	Black/White	Black/White	13	Input13
Input 26	33	33	Red/White	Red/White	14	Input14
Input 27	34	34	Green/White	Green/White	15	Input15
Input 28	35	35	Blue/White	Blue/White		
Input 29	36	36	Black/Red	Black/Red		
Input 30	37	37	White/Red	White/Red		
Input 31	38	38	Orange/Red	Orange/Red		
COM	39	39	Blue/Red			
COM	40	40	Red/Green			

Conversions

1746 SLC I/O Module Catalog Number	Compact 5000 I/O Modules Catalog Number
1746-IB32	5069-IB16 (qty. 2)

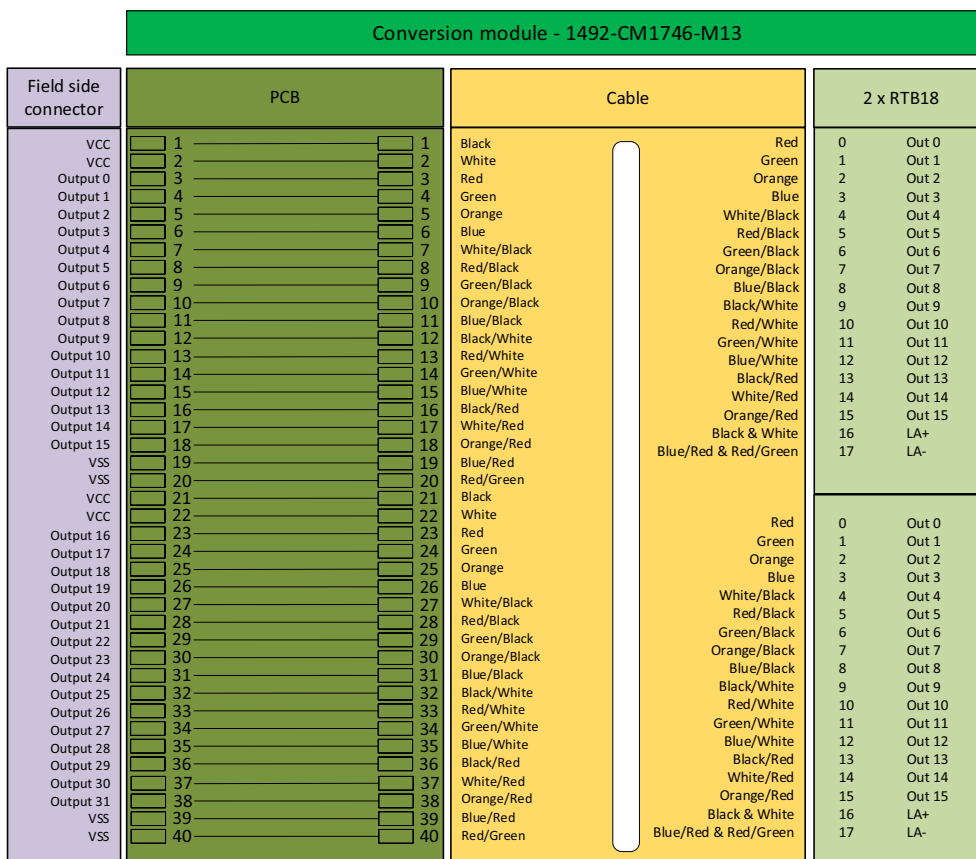
1492-CM1746-M13 Conversion Module



This conversion module may be used to connect signals from 1746 SLC I/O modules to Compact 5000 I/O modules. The conversion module directly accepts the 1746 removable terminal block. One end of the 1492 conversion module is an 18 point removable terminal block that installs directly to the Compact 5000 I/O modules. The other end is a female connector to which the 1746 removable terminal block is installed directly.

- IMPORTANT**
- See [Additional Resources on page 31](#) for a list of complete installation instructions.
 - Verify that the conversion module is matched correctly to the appropriate I/O module.

Wiring Diagram



Conversions

1746 SLC I/O Module Catalog Number	Compact 5000 I/O Modules Catalog Number
1746-OB32	5069-OB16 (qty. 2)
1746-OB32E	5069-OB16 (qty. 2)

Additional Resources

These documents contain additional information concerning related products from Rockwell Automation.

Resource	Description
Compact 5000 I/O Modules and EtherNet/IP Adapters, publication 5069-ID001	Provides Compact 5000 I/O Module and EtherNet/IP Adapters specifications.
SLC 500 Migration Quick Reference, publication 1746-RM003	Serves as a guide for replacing your existing SLC™ 500 controller or I/O module with another product.
SLC/MicroLogix 1500 to CompactLogix Migration Guide, publication 1769-AP001	Serves as a guide to convert an existing SLC program to a CompactLogix controller.
Compact 5000 I/O Analog Modules, publication 5069-UM005	Describes how to use Compact 5000 I/O analog modules in Logix 5000™ control systems.
1746 to 5069 I/O Module Conversion Installation Instructions, publication 1492-IN132	Describes the steps to use the 1746-to-5069 I/O Conversion System.
Catalog Number 1492-CM1746-M01 Conversion Module Installation Instructions, publication 1492-IN138	Describes the components and steps to install a 1492-CM1746-M01 conversion module.
Catalog Number 1492-CM1746-M02 Conversion Module Installation Instructions, publication 1492-IN139	Describes the components and steps to install a 1492-CM1746-M02 conversion module.
Catalog Number 1492-CM1746-M03 Conversion Module Installation Instructions, publication 1492-IN140	Describes the components and steps to install a 1492-CM1746-M03 conversion module.
Catalog Number 1492-CM1746-M04 Conversion Module Installation Instructions, publication 1492-IN141	Describes the components and steps to install a 1492-CM1746-M04 conversion module.
Catalog Number 1492-CM1746-M05 Conversion Module Installation Instructions, publication 1492-IN142	Describes the components and steps to install a 1492-CM1746-M05 conversion module.
Catalog Number 1492-CM1746-M06 Conversion Module Installation Instructions, publication 1492-IN143	Describes the components and steps to install a 1492-CM1746-M06 conversion module.
Catalog Number 1492-CM1746-M07 Conversion Module Installation Instructions, publication 1492-IN144	Describes the components and steps to install a 1492-CM1746-M07 conversion module.
Catalog Number 1492-CM1746-M09 Conversion Module Installation Instructions, publication 1492-IN146	Describes the components and steps to install a 1492-CM1746-M09 conversion module.
Catalog Number 1492-CM1746-M10 Conversion Module Installation Instructions, publication 1492-IN147	Describes the components and steps to install a 1492-CM1746-M10 conversion module.
Catalog Number 1492-CM1746-M11 Conversion Module Installation Instructions, publication 1492-IN148	Describes the components and steps to install a 1492-CM1746-M11 conversion module.
Catalog Number 1492-CM1746-M12 Conversion Module Installation Instructions, publication 1492-IN149	Describes the components and steps to install a 1492-CM1746-M12 conversion module.
Catalog Number 1492-CM1746-M13 Conversion Module Installation Instructions, publication 1492-IN137	Describes the components and steps to install a 1492-CM1746-M13 conversion module.
Safety Guidelines for the Application, Installation, and Maintenance of Solid-State Control, publication SGI-1.1	Designed to harmonize with NEMA Standards Publication No. ICS 1.1-1987 and provides general guidelines for the application, installation, and maintenance of solid-state control in the form of individual devices or packaged assemblies incorporating solid-state components.
Industrial Automation Wiring and Grounding Guidelines, publication 1770-4.1	Provides general guidelines for installing a Rockwell Automation industrial system.
Product Certifications website, rok.auto/certifications .	Provides declarations of conformity, certificates, and other certification details.

You can view or download publications at rok.auto/literature.

Rockwell Automation Support

Use these resources to access support information.

Technical Support Center	Find help with how-to videos, FAQs, chat, user forums, and product notification updates.	rok.auto/support
Knowledgebase	Access Knowledgebase articles.	rok.auto/knowledgebase
Local Technical Support Phone Numbers	Locate the telephone number for your country.	rok.auto/phonesupport
Literature Library	Find installation instructions, manuals, brochures, and technical data publications.	rok.auto/literature
Product Compatibility and Download Center (PCDC)	Get help determining how products interact, check features and capabilities, and find associated firmware.	rok.auto/pcdc

Documentation Feedback

Your comments help us serve your documentation needs better. If you have any suggestions on how to improve our content, complete the form at rok.auto/docfeedback.

Allen-Bradley, Compact 5000, CompactLogix, expanding human possibility, Logix 5000, Rockwell Automation, SLC, and Studio 5000 are trademarks of Rockwell Automation, Inc. EtherNet/IP is a trademark of ODVA, Inc.

Trademarks not belonging to Rockwell Automation are property of their respective companies. Rockwell Automation maintains current product environmental information on its website at rok.auto/pec.

Rockwell Otomasyon Ticaret A.Ş. Kar Plaza İş Merkezi E Blok Kat:6 34752, İçerenköy, İstanbul, Tel: +90 (216) 5698400 EEE Yönetmeliğine Uygundur

Connect with us.    

rockwellautomation.com ————— expanding **human possibility**[™]

AMERICAS: Rockwell Automation, 1201 South Second Street, Milwaukee, WI 53204-2496 USA, Tel: (1) 414.382.2000, Fax: (1) 414.382.4444

EUROPE/MIDDLE EAST/AFRICA: Rockwell Automation NV, Pegasus Park, De Kleetlaan 12a, 1831 Diegem, Belgium, Tel: (32) 2 663 0600, Fax: (32) 2 663 0640

ASIA PACIFIC: Rockwell Automation, Level 14, Core F, Cyberport 3, 100 Cyberport Road, Hong Kong, Tel: (852) 2887 4788, Fax: (852) 2508 1846