

1492J16

Allen-Bradley 1492-J Screw Connection Terminal 16mm 1 Level
2 Conductor Entries Grey



Allen-Bradley

by ROCKWELL AUTOMATION

TERMINALS



Component type	Feed-through terminal block
Range	1492J/W
Model	N/A
Product status	Existing

The Allen-Bradley 1492-J and W ranges of screw connection terminal blocks are reliable, safe and straight forward electrical connections for wiring management. With cross-sectional wire sizes from 0.5mm² to 120mm² and terminal types such as feed-through, disconnect, fused, plug-in and thermocouple. Options include single or multi-level housing and accessories for various panel space requirements.

ELECTRICAL	Type of electrical connection 1	Screw connection
	Rated current I _n	76.0 A
	Rated voltage	1000.0 V
CONSTRUCTION	Number of levels	1.0
	Number of clamp positions per level	2.0
	Colour	Grey
	Package quantity	50.0
	Mounting method	DIN rail (top hat rail) 35 mm
	Inflammability class of insulation material according to with UL94	V0
MECHANICAL	Nominal tightening torque	4.0 Nm
DIMENSIONS	Wire/conductor size	2.5 - 16 mm
	Width	12.0 mm
	Height	60.0 mm
	Depth	56.0 mm
	Wire strip length	16.0 mm
ENVIRONMENT	Insulation temperature (Min)	-50.0 °C
	Insulation temperature (Max)	120.0 °C

1492J16

Allen-Bradley 1492-J Screw Connection Terminal 16mm 1 Level
2 Conductor Entries Grey

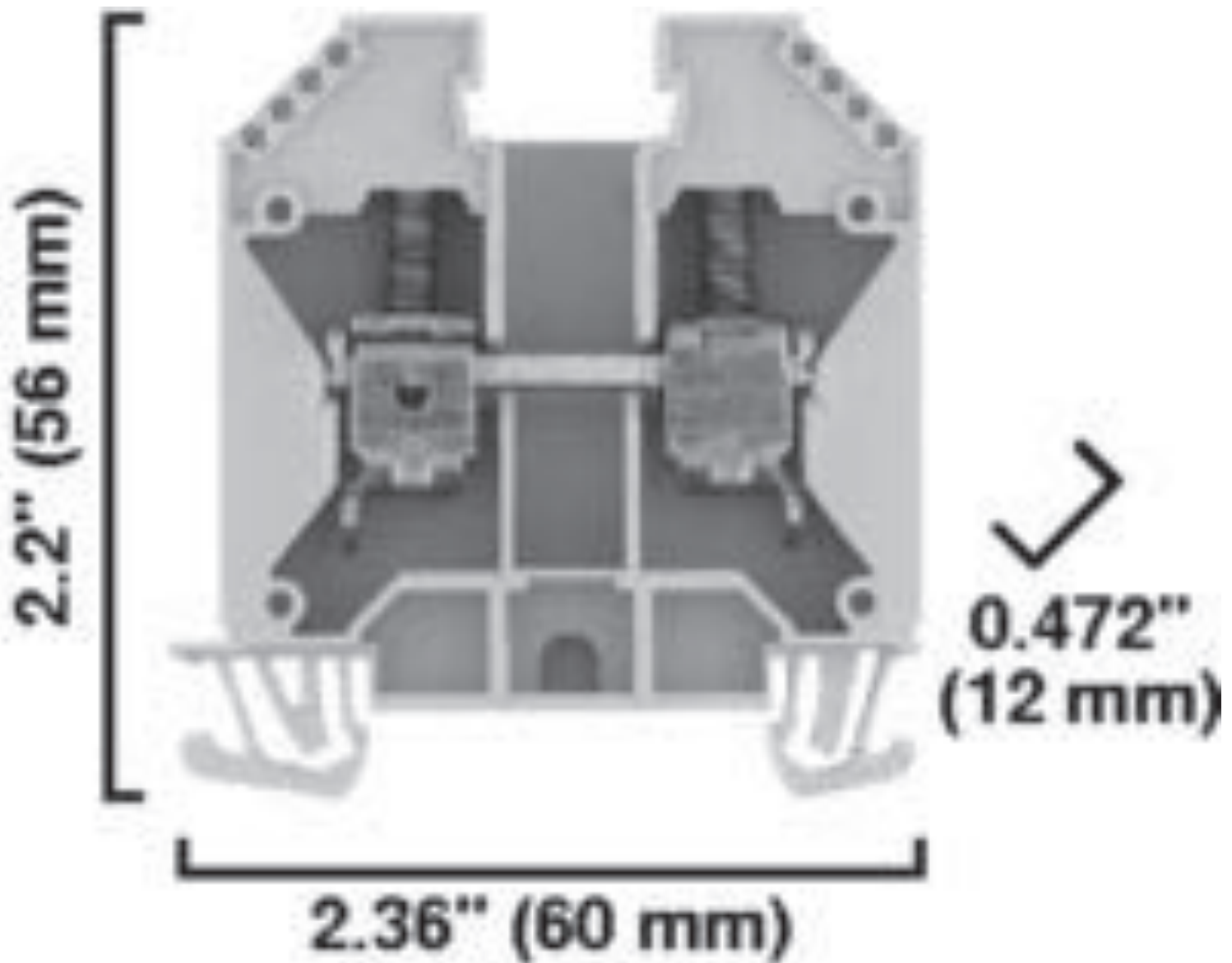


Allen-Bradley

by ROCKWELL AUTOMATION

TERMINALS

DIMENSIONAL DIAGRAM



RELATED PRODUCTS

ACCESSORY



Item No: 1492DR5

Required: No

Description: Allen-Bradley 1492 Din Rail 35 x 7.5mm Copper Free Aluminium 1m



Item No: 199DR4

Required: No

Description: Allen-Bradley 1492 Din Mounting Rail Zinc Plated Chromated Steel 35 x 15mm 1m