

# 1492J3

Allen-Bradley 1492-J Screw Connection Terminal 2.5mm 1 Level  
2 Conductor Entries Grey



**Allen-Bradley**

by ROCKWELL AUTOMATION

TERMINALS



<b>Component type</b>	Feed-through terminal block
<b>Range</b>	1492J/W
<b>Model</b>	N/A
<b>Product status</b>	Existing

The Allen-Bradley 1492-J and W ranges of screw connection terminal blocks are reliable, safe and straight forward electrical connections for wiring management. With cross-sectional wire sizes from 0.5mm<sup>2</sup> to 120mm<sup>2</sup> and terminal types such as feed-through, disconnect, fused, plug-in and thermocouple. Options include single or multi-level housing and accessories for various panel space requirements.

<b>ELECTRICAL</b>	Type of electrical connection 1	Screw connection
	Rated current In	24.0 A
	Rated voltage	800.0 V
<b>CONSTRUCTION</b>	Number of levels	1.0
	Number of clamp positions per level	2.0
	Colour	Grey
	Package quantity	100.0
	Mounting method	DIN rail (top hat rail) 35 mm
	Inflammability class of insulation material according to with UL94	V0
<b>MECHANICAL</b>	Nominal tightening torque	0.8 Nm
<b>DIMENSIONS</b>	Wire/conductor size	0.5 - 2.5 mm
	Width	5.1 mm
	Height	60.0 mm
	Depth	39.5 mm
	Wire strip length	10.0 mm
<b>ENVIRONMENT</b>	Insulation temperature (Min)	-50.0 °C
	Insulation temperature (Max)	120.0 °C

# 1492J3

Allen-Bradley 1492-J Screw Connection Terminal 2.5mm 1 Level  
2 Conductor Entries Grey

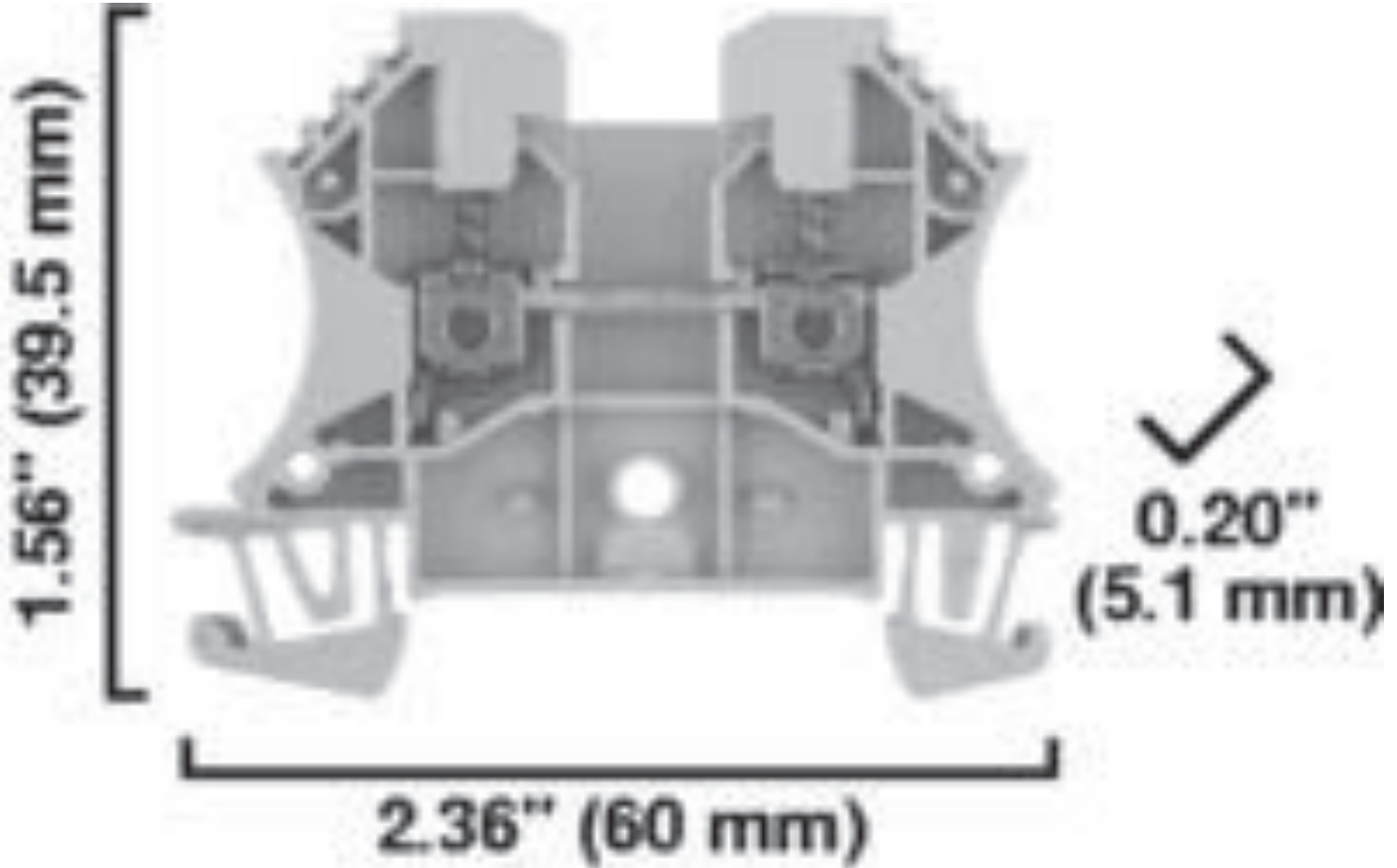


**Allen-Bradley**

by ROCKWELL AUTOMATION

TERMINALS

## DIMENSIONAL DIAGRAM



## RELATED PRODUCTS

### ACCESSORY



Item No: 1492DR5

Required: No

Description: Allen-Bradley 1492 Din Rail 35 x 7.5mm Copper Free Aluminium 1m



Item No: 199DR4

Required: No

Description: Allen-Bradley 1492 Din Mounting Rail Zinc Plated Chromated Steel 35 x 15mm 1m