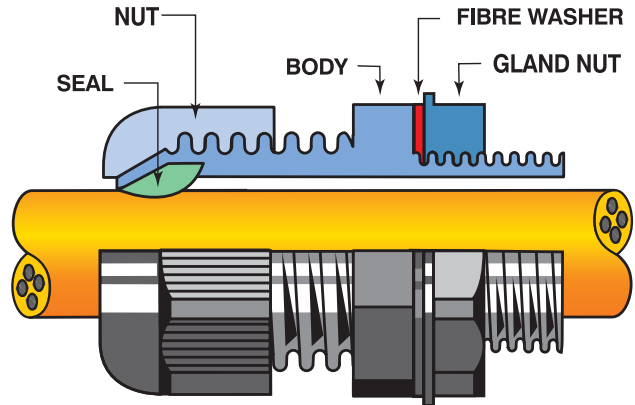


Alco

General Purpose Nylon Glands for Unarmoured Cable



Applications	For indoor or outdoor use
Function	Provides seal on cable sheath
Features	Halogen Free UV protected Seals available to suit 1.5, 2.5 & 4.0mm twin and earth TPS cable (ALCMG20 and ALCMG25 only)
Approvals	IP68 (50m)
Range	ALCMG12-ALCMG63
Material	Polyamide
Seal	Neoprene
Locknut	Supplied as standard
Temperature Range	-30°C to +80°C (up to 150°C intermittent)

SPECIFICATIONS:

PART NUMBER	CABLE SEALING RANGE (MM)		THREAD DIAMETER x LENGTH	DIAMETER ACROSS FLATS	ORANGE SHROUD*		BOX QTY
	MIN	MAX			PVC	SILICON	
ALCMG12	3.0	6.5	M12 x 8	15	-	-	40
ALCMG16	5.0	10.0	M16 x 15	22	ALCSG1	ALCSG1S	25
ALCMG20	10.0	14.0	M20 x 15	27	ALCSG2	ALCSG2S	25
ALCMG25	11.0	17.0	M25 x 15	29	-	ALCSG2LS	15
ALCMG32	18.0	25.0	M32 x 15	42	-	ALCSG3L	5
ALCMG40	22.0	32.0	M40 x 18	53	ALCSG5	ALCSG5S	4
ALCMG50	30.0	38.0	M50 x 18	60	ALCSG5	ALCSG5S	2
ALCMG63	34.0	44.0	M63 x 18	65	ALCSG6	ALCSG6S	2
ALCMG75	48	55	M75 x 25	80	-	ALCSG6L	5

*For Black Shroud add 'B' to part number: e.g. ALCSG3SB. Note: Mounting thread pitch 1.5mm unless otherwise specified. See product and/or website for fitting instructions. **No suitable shroud available, use HSTNW18/9 size heatshrink instead, lead times apply.

All dimensions in mm unless otherwise specified.

Wattmaster

THE BRAND ELECTRICIANS RELY ON

T: 1300 300 747 F: 1300 300 074

www.wattmaster.com.au