



INDUSTRIAL

HAZARDOUS
AREAS

DATA ICT

RESIDENTIAL
COMMERCIAL



B&R Enclosures
CONNECTOR TEMF

brenclosures.com.au

Connector TEMF

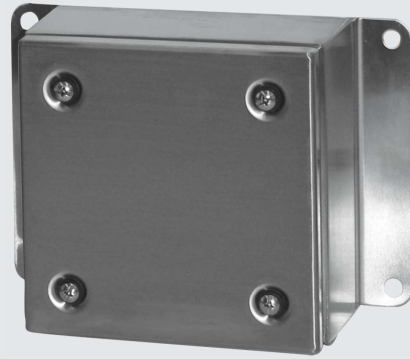
Termination Enclosures with Mounting Flanges



- Suitable for housing terminations, pushbuttons or switchgear in industrial or demanding environments.
- Designed for applications where a smaller enclosure is required.
- Captive 316 stainless steel combo head screws to prevent loss when fastening.
- Provision for mounting DIN rails or a mounting pan, increasing application flexibility.
- Conformity, Approvals:
Lloyds Register #06/10007 (E2)
- Manufactured from 1.2mm thick 316 stainless steel.
- N4 surface finish.

Comes standard with:

- Earth strap kit

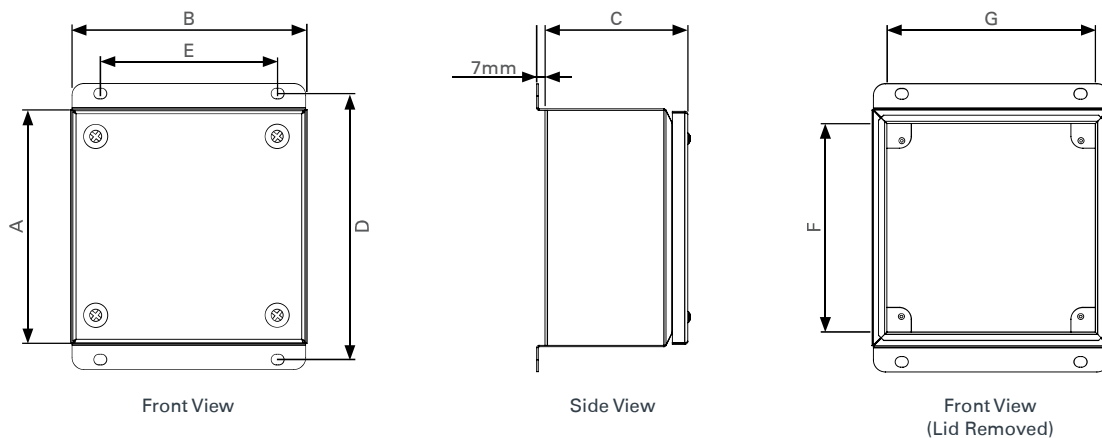


ORDERING GUIDE

Part Number	Dimensions (mm)									
	External			Useable Depth		Mounting Centres		Opening		Weight (kg)
	Height (A)	Width (B)	Depth (C)	With DIN Rail*	With Mounting Pan*	Height (D)	Width (E)	Height (F)	Width (G)	
TE1108MF/S	150	150	80	47	60	175	100	125	125	1.4
TE3112MF/S	300	150	120	87	100	325	100	275	125	2.6
TE2212MF/S	200	200	120	87	100	225	150	175	175	2.4
TE3212MF/S	300	200	120	87	100	325	150	275	175	3.1
TE4212MF/S	400	200	120	87	100	425	150	375	175	3.8
TE6212MF/S	600	200	120	87	100	625	150	575	175	5.0

* Mounting pan and DIN rail are an optional extra

TECHNICAL DRAWINGS



Connector TEMF

Termination Enclosures with Mounting Flanges



ACCESSORIES

Product	Description	Part Number	Dimensions (mm)		TE1108MF/S	TE3112MF/S	TE2212MF/S	TE3212MF/S	TE4212MF/S	TE6212MF/S
			Height	Width						
Mounting pan – 2mm (powdercoated white)	Metal	TEMP11	123	120	•					
		TEMP22	173	170			•			
		TEMP31	273	120		•				
		TEMP32	273	170				•		
		TEMP42	373	170					•	
		TEMP62	573	170						•
DIN Rail	Aluminium	TED1	140	35	•					
		TED2	190	35			•			
		TED3	290	35		•		•		
		TED4	390	35					•	
		TED6	590	35						•



Metal mounting pan



DIN Rail

AUSTRALIA

Sales

T: 1300 Enclosures (1300 362 567)

F: 1300 796 599

E: sales@brenclosures.com.au

brenclosures.com.au

QUEENSLAND

Brisbane Manufacturing, Sales & Warehouse

51 Stradbroke Street

Heathwood QLD 4110

(PO Box 1151)

Browns Plains BC QLD 4118

T: +61 7 3714 1111

E: salesqld@brenclosures.com.au

NORTH QUEENSLAND

Townsville Sales & Warehouse

Unit 4 / 780 Ingham Road

Mount Louisa QLD 4814

(PO Box 7615)

Garbutt QLD 4814

T: +61 7 4727 1900

E: salestvl@brenclosures.com.au

NEW SOUTH WALES

NSW & ACT Sales & Warehouse

Unit 12/100 Belmore Road North

(PO Box 192)

Riverwood NSW 2210

T: +61 2 9915 9555

E: salesnsw@brenclosures.com.au

NEWCASTLE Distribution

109-111 Broadmeadow Road

Broadmeadow NSW 2292

T: +61 2 4961 4433

F: +61 2 4961 2498

VICTORIA

VIC & TAS Sales & Warehouse

50-52 Sunmore Close

Heatherton VIC 3202

T: +61 3 9552 0552

E: salesvic@brenclosures.com.au

TASMANIA Distribution

W P Martin Pty Ltd

85 Elizabeth Street

Launceston TAS 7250

T: +61 3 6331 5545

F: +61 3 6331 4256

SOUTH AUSTRALIA

SA & NT Manufacturing, Sales & Warehouse

505 Grand Junction Road

Wingfield SA 5013

T: +61 8 8417 6222

E: salessa@brenclosures.com.au

NORTHERN TERRITORY Distribution

Cnr Hidden Valley & Beaton Roads

Berrimah NT 0828

T: +61 8 8947 0870

F: +61 8 8947 0764

WESTERN AUSTRALIA

WA Sales Office & Warehouse

6 Montgomery Way

Malaga WA 6090

T: +61 8 6310 4777

E: saleswa@brenclosures.com.au

NEW ZEALAND

Sales

B&R Enclosures Limited

T: 0800 Enclosures (0800 362 567)

E: sales@brenclosures.co.nz

brenclosures.co.nz

AUCKLAND Distribution

Unit 6/103 Cryers Road

East Tamaki Auckland NZ 2013

T: +64 9 265 2097

F: +64 9 265 2437

E: sales@brenclosures.co.nz

CHRISTCHURCH Distribution

17 Washbournes Road

Wigram Christchurch NZ 8042

T: +64 3 348 0659

F: +64 3 348 4043

E: sales@brenclosures.co.nz

CHINA

Sales

B&R Enclosures (Suzhou) Co. Ltd

E: sales@brenclosures.com.cn

brenclosures.com.cn

SUZHOU

Suzhou Sales Office & Manufacturing

Building 45 Chuangtou Industrial Zone

SIP, Suzhou 215122

PEOPLE'S REPUBLIC OF CHINA

T: +86 512 8718 2139

F: +86 512 8718 2140

E: sales@brenclosures.com.cn

SOUTH EAST ASIA

Sales

B&R Enclosures SDN BHD

E: sales@brenclosures.com.au

brenclosures.com.au

MALAYSIA

Malaysia Sales Office & Manufacturing

No.38-1, Puchong Gateway Square,

Jalan Suria Puchong 4,

Pusat Perniagaan Suria Puchong

47110, Puchong, Selangor, Malaysia

T: +603 8958 3923 or +603 8959 3923

F: +603 8958 3223

E: sales@brenclosures.com.au

MIDDLE EAST

Sales

B&R Gulf

E: sales@brgulf.com.sa

brenclosures.com.sa

DAMMAM

Dammam Sales Office & Manufacturing

Factory No. 119, Modon Buildings

King Salman Road, Industrial Area 3

Dammam, Kingdom of Saudi Arabia

T +96 638 128 691 or +96 650 349 6592

E: sales@brgulf.com.sa