



MINING SOLUTIONS

FLAT ROOF ENCLOSURES

TABLE OF CONTENTS

Company Information

About B&R Enclosures.....	4
Our Locations.....	5
Our Capabilities.....	6
Our Supply Strategies.....	6
Customisable Project Services.....	7
B&R Engagement Loop.....	8
Our Customers.....	9
Accreditations and Compliance.....	9

Product Solutions

Monarch IP - Zinc Coated Steel.....	10
Monarch IP Viewing Window- Zinc Coated Steel.....	12
Monarch IP - 316 Stainless Steel.....	14
Monarch IP Viewing Window - 316 Stainless Steel.....	16
Monarch IP - Aluminium.....	18
Monarch IP Viewing Window - Aluminium.....	20
Monarch IP - Accessories.....	22
Monarch IP - Lock Options.....	33
Universal NI - Zinc Coated Steel.....	34
Universal NI Viewing Window - Zinc Coated Steel.....	36
Universal NI - 316 Stainless Steel.....	38
Universal NI Viewing Window - 316 Stainless Steel.....	40
Universal DD - Zinc Coated Steel.....	42
Universal DD - 316 Stainless Steel.....	44
Miner ME.....	46
Case Study - BHP Olympic Dam.....	47
Lock Options.....	48
Enclosure LED Lighting.....	50

DISCLAIMER

This catalogue has been prepared specifically for customers of the publisher and as a general reference only. B&R Enclosures Pty Ltd engages in a policy of continuous development and improvement of its products and reserves the right to alter, add and/or delete specifications of any products or equipment and change of manufacturing location without notice and without incurring liability. The publisher and any party associated with the production of this catalogue do not accept any responsibility or liability whatsoever (to the extent permitted by law) for any inaccuracy, error, misinformation or misleading statements, whether negligently caused or otherwise, contained in this publication. This publication is protected by copyright and may not be reproduced or copied (using any method of reproduction or copying), sold, transmitted, circulated or otherwise forwarded to third parties, in whole or part, without prior written consent of the author. All registered trademarks and product names appearing herein are the property of the respective owners.

About B&R Enclosures

Since 1955, B&R Enclosures has built a reputation for excellence in design and production, culminating in our position as Australia's largest enclosure manufacturer and electrical equipment integration specialist.

As an independent, 100% Australian family owned and operated business, we champion the virtues of quality, innovation, service and value. The emphasis on these aspects has sustained B&R's growth leading to Australian manufacturing and distribution facilities in Brisbane, Adelaide and Sydney and internationally in China and Saudi Arabia.

B&R's knowledge, precision, quality and unwavering commitment to creating repeatable solutions for our clients supports our position as preferred manufacturer for many private, government and commercial projects in some of Australia's harshest environments.

Our unrivalled industry and application knowledge puts us in a unique position to meet the needs of our clients. The business encompasses four divisions: Industrial, Data ICT, Hazardous Areas and Residential Commercial. Each division focuses on the unique needs of different market segments.

B&R regularly works with partners to provide integrated solutions for major infrastructure and mining projects. These include 'plug and play' switchboard solutions for Rio Tinto's Oyu Tolgoi mine, control stations for Ichthys on-shore LNG processing plant and Australia's NBN Rollout. Ongoing relationships and collaboration are results of our ability to articulate the customer's problem and combine previous experience and knowledge with compliance to local standards.

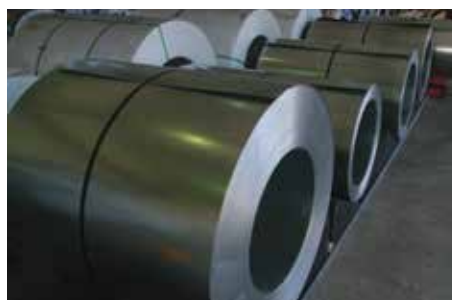
Electrical integration usually involves the installation, commissioning and testing of 3rd party components and we are adept at managing the acquisition and storage of technical components through a global supply chain that is structured, customised, agile, repeatable and results-based.

Project management and execution is effectively managed at B&R by the co-location of design, supervision, supply coordination and quality control along with manufacturing. Our incorporation of Industry 4.0 delivers real-time data to our project management teams, built around the requirements of individual projects.

Extensive investment in research and development includes an environmental testing facility focussing on climate control to support cooling solutions for equipment exposed to high ambient temperatures and solar radiation.

When utilised as designed, B&R's enclosures are built to out-perform against expectations.

Contact us today to find out how B&R can deliver reliable and trusted outcomes for your project.



Our Locations



B&R Enclosures have purpose-built manufacturing facilities in three locations across Australia, as well as strategic locations in the Gulf, Southeast Asia and China.



Australia

Brisbane (QLD)

Global head office, manufacturing, sales and warehousing

Sydney, NSW

Hazardous manufacturing, sales and warehousing

Adelaide, SA

Manufacturing, sales and warehousing

Townsville (QLD), Newcastle (NSW),

Melbourne (VIC), Perth (WA)

Sales and warehousing

Launceston (TAS), Darwin (NT)

Distribution

New Zealand

Auckland

Sales and warehousing

Saudi Arabia

Dammam

Hazardous manufacturing, sales and warehousing

China

Suzhou

Manufacturing, sales and warehousing

Our Capabilities

Over the years as the company has grown, we have invested significantly in machinery, technology and testing to be able to provide capabilities which our customers benefit from in every order they place. Our current capabilities include:

- Purpose-built Australian facilities in Brisbane (18,000m²), Adelaide (4,000m²) and Sydney (2,500m²), providing local labour and logistics
- Complete in-house design and engineering services to assist with creating custom solutions
- End-to-end manufacturing, from coiled steel raw material to commissioning the end product, we provide efficiency and complete quality control
- Variety of substrates and high quality finishes including stainless steel, powder coated and zinc to suit even the most demanding application
- Modern machinery for any design to be formed and fabricated including automated sheet metal panel benders, punching and shearing centres, electrical equipment integration lines, press brakes, powder coat lines, fabrication cells and assembly lines
- Fully documented process available with full configuration management to support a detailed documentation experience
- Complete project management including supply chain, warehousing and logistics
- In-house and external testing for hazardous area electrical equipment and impact, IP, type testing, static load, seismic, wind load, salt spray, line inspection, shock, vibration, EMC and MIL-STD
- Continuous improvement with our environmental testing facility for ongoing research and development
- Existing supply agreements with leading OEMs and major raw products distributors supporting loyal and valued relationships.

Our Supply Strategies



Made to Stock

These products are available ex stock from all our sales & warehousing branches. Contact your local sales representative to discuss requirements.



Assembled-to-Order

These products are assembled to order upon receipt of a customer order. All components required to build an ATO item cannot be sold separately and must form part of a kit. Standard lead time is 4-6 weeks from date of order.



Made to Order

These products are manufactured according to a customer's specification. They are marked in our catalogues as "▲ Available on request" and have a standard lead time of 2-3 weeks.



Engineered-to-Order

These products are a custom designed product that is 100% fit-for-purpose, delivered on-site and ready for installation. Our design & engineering team can customise an enclosure to suit the application requirements. Contact us for more information.

Customisable Project Services



Collaboration

- Convert customer requirements to product build specifications
- Work to customer delivery schedule
- Initiate procurement or consignment of stock allocations
- Supply of equipment configuration

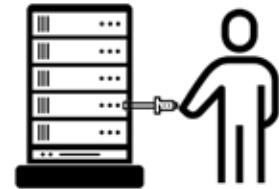


Complete Project Management

- One point of contact
- Responsive communication channels
- DIFOTIS - Delivered In Full On Time In Specification
- Accountability for the delivery of our commitment to customers

Electrical & Equipment Integration

- Wiring and equipment installed to exact requirements
- Management of free issue, consigned and/or B&R sourced components and equipment
- Stock reporting and job allocation



Testing & Reporting To Customer Specifications

- Digital reports of product testing and acceptance
- Serialised codes to customer requirements, digital signature, component traceability and unique identifiers
- Real time quality assurance authorisation, approval and confirmation

Customer Specific Logistics

- Storage and warehouse management
- Site delivery logistics
- Option for removal of product packaging after installation



The B&R Engagement Loop (Project Services)

In order to engage successfully with our project customer's, B&R representatives follow a structured service plan.

We take our responsibility seriously, and pride ourselves on the collaborative and open relationships we undertake with our project customers. This ensures we understand and provide value as our customer's needs vary greatly across the different types of project application and technical requirements.

Our first action before we reach out or after a customer had reached out to us, is to **INVESTIGATE**. This includes researching the customer/ project and any other relevant stakeholders.

1. The second action of **UNDERSTAND** is when we speak to the customer at length about their issue and challenges for current and future projects. From these discussions we can begin to see how our product solutions can solve the customer's issues and challenges.

2. We take our newly acquired customer knowledge back to our in-house design, engineering and estimating teams for our third action to **SCOPE** the work, and prepare quotes and drawings as required.
3. Once we have created the tailored offer for the customer we process any variations which might be needed before our fourth action of **AGREE**. With everything signed off we move into manufacturing and equipment integration.
4. Once the product solution is ready our fifth action of **DELIVER** takes place. We make sure the goods are shipped to site according to agreed upon timelines.
5. To learn from our experience and confirm our service level we take an **EVALUATION** action. This is when we reflect on the job we've completed and depending on the size and extent of the order we will seek customer feedback as well.



Our Customers



BHP

RioTinto



Accreditations & Compliance

At B&R, quality and value are just the beginning. We strive to deliver quality products developed and manufactured by a team dedicated to excellence, backed by standards, approvals and industry accreditations.



ISO 9001:2015

Every B&R Enclosures manufacturing facility is externally audited to ensure that the quality of our products meet the stringent ISO9001 standards. B&R's products are carefully inspected at the end of lines during the manufacturing process to ensure that the enclosures will withstand their intended environment and application.



ISO 14001:2015

Sets out the criteria for an environmental management system. It maps out a framework that a company or organisation can follow to set up an effective environmental management system.



ISO 45001:2018

An externally audited Occupational Health and Safety Management System.



RoHS

The RoHS directive aims to restrict certain dangerous substances commonly used in electronic equipment.



ASSDA

The Australian Stainless Steel Development Association provides comprehensive technical information on stainless steel. This includes information for users, equipment manufacturers and stainless steel suppliers.

Monarch IP – Zinc Coated Steel

Industrial Enclosures and Switchboard Building Systems



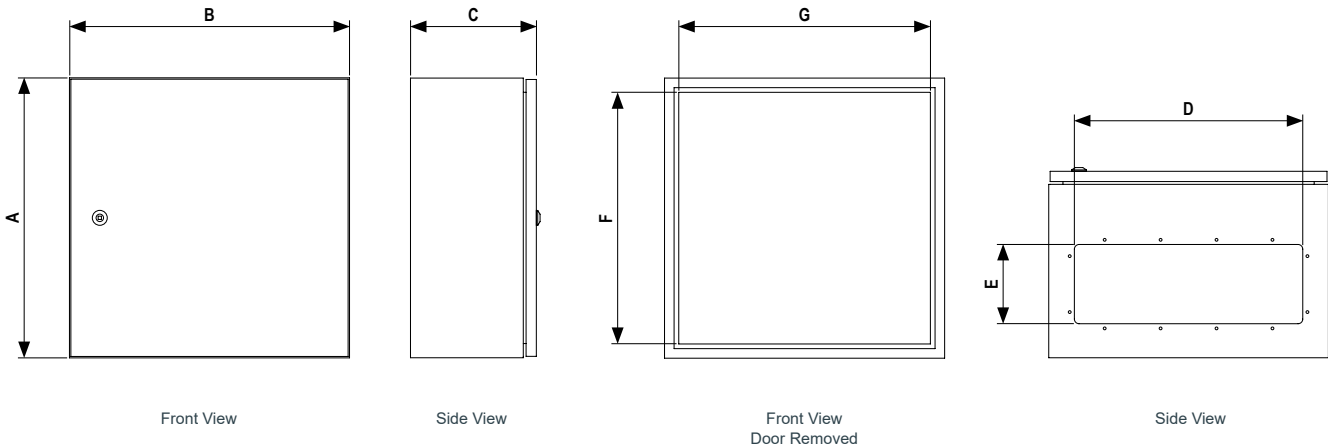
- Suitable for small motor control applications, lighting, CT metering and smaller switchboard applications.
- Premium enclosure and switchboard building system designed to be the ultimate in flexibility.
- Conformity, Approvals:
 - Lloyds Register #06/10007 (E2)
 - Region D wind rated to AS1170.2-2002: Structural design actions - Wind actions
 - Manufactured from 1.6mm thick zinc coated steel.
 - Powdercoated Pebble Grey RAL7032 or X15 Orange.

Comes standard with:

- 'C' rail mountings (4 rails on heights up to 1000mm and 8 rails on 1200mm and above)
- Gland plate (fitted internally or externally)
- Chromed steel lock with 7mm square steel insert (IP020) on units below 1600mm high and lockable L handles (IP050) on others
- 3-point locking on units of 600mm high and above
- Removable back on units 400mm deep and deeper
- Door rails and earth strap kit



TECHNICAL DRAWINGS



ACCESSORIES QUICK SELECTION

Accessories	Page No.	Accessories	Page No.	Accessories	Page No.
Rainhoods	22	Escutcheon Rails	26	Universal Rails	30
Gland Plates	22	Fixed Escutcheons	27	19" Mounting Rails	30
Plinths	23	Mounting Brackets	27	Laptop Lecterns	30
Vent Kits	23	Universal Rail Kits	28	Document Holders	31
Vent Hoods	24	Door Stays	28	Schedule Holders	31
Mounting Pans	24	Eye Bolts	28	Backmount Frame	31
Insulated Mounting Panels	25	Shelves	29	Load Centre	31
Double Hinged Insulating Panels	25	DIN Rails	29	General Accessories	32
Hinged Escutcheons	26	Standard Rails – C Section	30	Locks	33

Monarch IP – Zinc Coated Steel

Industrial Enclosures and Switchboard Building Systems



ORDERING GUIDE

		Dimensions (mm)							Material Thickness (mm)	Weight (kg)
Part Number	Part Number	External			Gland Opening		Opening			
		Height (A)	Width (B)	Depth (C)	Width (D)	Depth (E)	Height (F)	Width (G)		
IP13132	IP13132/RO [▲]	400	400	270	250	120	340	340	1.2	13.0
IP21132	IP21132/RO [▲]	600	400	270	250	120	540	340	1.2	17.0
IP13212	IP13212/RO [▲]	400	600	270	440	120	340	540	1.6	17.0
IP21212	IP21212/RO [▲]	600	600	270	440	120	540	540	1.6	22.0
IP29212	IP29212/RO [▲]	800	600	270	440	120	740	540	1.6	28.0
IP37212	IP37212/RO [▲]	1000	600	270	440	120	940	540	1.6	33.0
IP45212	IP45212/RO [▲]	1200	600	270	440	120	1140	540	1.6	38.0
IP21292	IP21292/RO [▲]	600	800	270	440	120	540	740	1.6	28.0
IP13214	IP13214/RO [▲]	400	600	400	490	170	340	540	1.6	21.0
IP21214	IP21214/RO [▲]	600	600	400	490	170	540	540	1.6	27.0
IP29214	IP29214/RO [▲]	800	600	400	490	170	740	540	1.6	28.0
IP45214	IP45214/RO [▲]	1200	600	400	490	170	1140	540	1.6	45.0
IP61214	IP61214/RO [▲]	1600	600	400	490	170	1540	540	1.6	57.0
IP69214	IP69214/RO [▲]	1800	600	400	490	170	1740	540	1.6	63.0
IP77214	IP77214/RO [▲]	2000	600	400	490	170	1940	540	1.6	69.0
IP25254	IP25254/RO [▲]	700	700	400	490	170	640	640	1.6	33.0
IP37254	IP37254/RO [▲]	1000	700	400	490	170	940	640	1.6	43.0
IP21294	IP21294/RO [▲]	600	800	400	490	170	540	740	1.6	33.0
IP29294	IP29294/RO [▲]	800	800	400	490	170	740	740	1.6	40.0
IP37294 [▲]	IP37294/RO [▲]	1000	800	400	490	170	940	740	1.6	47.0
IP45294	IP45294/RO [▲]	1200	800	400	490	170	1140	740	1.6	54.0
IP61294	IP61294/RO [▲]	1600	800	400	490	170	1540	740	1.6	69.0
IP69294	IP69294/RO [▲]	1800	800	400	490	170	1740	740	1.6	76.0
IP77294	IP77294/RO [▲]	2000	800	400	490	170	1940	740	1.6	83.0
IP77135 [▲]	IP77135/RO [▲]	2000	400	500	250	170	1740	340	1.6	48.0
IP29215	IP29215/RO [▲]	800	600	500	490	170	740	540	1.6	37.0
IP45215	IP45215/RO [▲]	1200	600	500	490	170	1140	540	1.6	50.0
IP61215 [▲]	IP61215/RO [▲]	1600	600	500	490	170	1540	540	1.6	64.0
IP69215	IP69215/RO [▲]	1800	600	500	490	170	1740	540	1.6	70.0
IP77215	IP77215/RO [▲]	2000	600	500	490	170	1940	540	1.6	77.0
IP21295	IP21295/RO [▲]	600	800	500	490	170	540	740	1.6	37.0
IP45295	IP45295/RO [▲]	1200	800	500	490	170	1140	740	1.6	60.0
IP61295	IP61295/RO [▲]	1600	800	500	490	170	1540	740	1.6	76.0
IP69295	IP69295/RO [▲]	1800	800	500	490	170	1740	740	1.6	83.0
IP77295	IP77295/RO [▲]	2000	800	500	490	170	1940	740	1.6	91.0
IP77136	IP77136/RO [▲]	2000	400	600	440	120	1740	340	1.6	54.0
IP29216	IP29216/RO [▲]	800	600	600	490	170	740	540	1.6	42.0
IP45216	IP45216/RO [▲]	1200	600	600	490	170	1140	540	1.6	56.0
IP61216 [▲]	IP61216/RO [▲]	1600	600	600	490	170	1540	540	1.6	70.0
IP77216	IP77216/RO [▲]	2000	600	600	490	170	1940	540	1.6	84.0
IP77296	IP77296/RO [▲]	2000	800	600	490	170	1940	740	1.6	99.0
IP77218 [▲]	IP77218/RO [▲]	2000	600	800	490	170	1940	540	1.6	99.0
IP77298	IP77298/RO [▲]	2000	800	800	490	170	1940	740	1.6	109.0

[▲] Available on request

See **Pages 40-41** for more information about B&R's range of lighting solutions or contact your local sales representative to discuss your requirements.

Monarch IP Viewing Window – Zinc Coated Steel

Industrial Enclosures and Switchboard Building Systems



- Suitable for small motor control applications, lighting, CT metering and smaller switchboard applications.
- Premium enclosure and switchboard building system designed to be the ultimate in flexibility.
- Conformity, Approvals:
Lloyds Register #06/10007 (E2)
- Region D wind rated to AS1170.2-2002: Structural design actions - Wind actions
- Manufactured from 1.6mm thick zinc coated steel.
- Powdercoated Pebble Grey RAL7032 or X15 Orange.

Comes standard with:

- 'C' rail mountings (4 rails on heights up to 1000mm and 8 rails on 1200mm and above)
- Gland plate (fitted internally or externally)
- Chromed steel lock with 7mm square steel insert (IP020) on units below 1600mm high and lockable L handles (IP050) on others
- 3-point locking on units of 600mm high and above
- Removable back on units 400mm deep and deeper
- Door rails and earth strap kit
- Glass Viewing Window - 5.4mm thickness



ACCESSORIES QUICK SELECTION

Accessories	Page No.	Accessories	Page No.	Accessories	Page No.
Rainhoods	22	Escutcheon Rails	26	Universal Rails	30
Gland Plates	22	Fixed Escutcheons	27	19" Mounting Rails	30
Plinths	23	Mounting Brackets	27	Laptop Lecterns	30
Vent Kits	23	Universal Rail Kits	28	Document Holders	31
Vent Hoods	24	Door Stays	28	Schedule Holders	31
Mounting Pans	24	Eye Bolts	28	Backmount Frame	31
Insulated Mounting Panels	25	Shelves	29	Load Centre	31
Double Hinged Insulating Panels	25	DIN Rails	29	General Accessories	32
Hinged Escutcheons	26	Standard Rails – C Section	30	Locks	33

Monarch IP Viewing Window – Zinc Coated Steel

Industrial Enclosures and Switchboard Building Systems



ORDERING GUIDE

		Dimensions (mm)									
Part Number RAL7032	Part Number X15	External			Gland Opening		Opening		Viewing Window		Weight (kg)
		Height (A)	Width (B)	Depth (C)	Width (D)	Depth (E)	Height (F)	Width (G)	Height (H)	Width (I)	
IP13132/WG [▲]	IP13132/ROWG [▲]	400	400	270	250	120	340	340	185	185	13.0
IP21132/WG [▲]	IP21132/RO/WG [▲]	600	400	270	250	120	540	340	375	170	17.0
IP13212/WG [▲]	IP13212/RO/WG [▲]	400	600	270	440	120	340	540	175	370	17.0
IP21212/WG [▲]	IP21212/RO/WG [▲]	600	600	270	440	120	540	540	375	370	22.0
IP29212/WG [▲]	IP29212/RO/WG [▲]	800	600	270	440	120	740	540	575	370	28.0
IP37212/WG [▲]	IP37212/RO/WG [▲]	1000	600	270	440	120	940	540	775	370	33.0
IP45212/WG [▲]	IP45212/RO/WG [▲]	1200	600	270	440	120	1140	540	975	370	38.0
IP21292/WG [▲]	IP21292/RO/WG [▲]	600	800	270	440	120	540	740	375	570	28.0
IP13214/WG [▲]	IP13214/RO/WG [▲]	400	600	400	490	170	340	540	175	370	21.0
IP21214/WG [▲]	IP21214/RO/WG [▲]	600	600	400	490	170	540	540	375	370	27.0
IP29214/WG [▲]	IP29214/RO/WG [▲]	800	600	400	490	170	740	540	575	370	28.0
IP45214/WG [▲]	IP45214/RO/WG [▲]	1200	600	400	490	170	1140	540	975	370	45.0
IP61214/WG [▲]	IP61214/RO/WG [▲]	1600	600	400	490	170	1540	540	1375	370	57.0
IP69214/WG [▲]	IP69214/RO/WG [▲]	1800	600	400	490	170	1740	540	1575	370	63.0
IP77214/WG [▲]	IP77214/RO/WG [▲]	2000	600	400	490	170	1940	540	1775	470	69.0
IP25254/WG [▲]	IP25254/RO/WG [▲]	700	700	400	490	170	640	640	475	470	33.0
IP37254/WG [▲]	IP37254/RO/WG [▲]	1000	700	400	490	170	940	640	775	470	43.0
IP21294/WG [▲]	IP21294/RO/WG [▲]	600	800	400	490	170	540	740	375	570	33.0
IP29294/WG [▲]	IP29294/RO/WG [▲]	800	800	400	490	170	740	740	575	570	40.0
IP37294/WG [▲]	IP37294/RO/WG [▲]	1000	800	400	490	170	940	740	775	570	47.0
IP45294/WG [▲]	IP45294/RO/WG [▲]	1200	800	400	490	170	1140	740	975	570	54.0
IP61294/WG [▲]	IP61294/RO/WG [▲]	1600	800	400	490	170	1540	740	1375	570	69.0
IP69294/WG [▲]	IP69294/RO/WG [▲]	1800	800	400	490	170	1740	740	1575	570	76.0
IP77294/WG [▲]	IP77294/RO/WG [▲]	2000	800	400	490	170	1940	740	1775	570	83.0
IP77135/WG [▲]	IP77135/RO/WG [▲]	2000	400	500	250	170	1740	340	1775	170	48.0
IP29215/WG [▲]	IP29215/RO/WG [▲]	800	600	500	490	170	740	540	575	370	37.0
IP45215/WG [▲]	IP45215/RO/WG [▲]	1200	600	500	490	170	1140	540	975	370	50.0
IP61215/WG [▲]	IP61215/RO/WG [▲]	1600	600	500	490	170	1540	540	1375	370	64.0
IP69215/WG [▲]	IP69215/RO/WG [▲]	1800	600	500	490	170	1740	540	1575	370	70.0
IP77215/WG [▲]	IP77215/RO/WG [▲]	2000	600	500	490	170	1940	540	1775	370	77.0
IP21295/WG [▲]	IP21295/RO/WG [▲]	600	800	500	490	170	540	740	375	570	37.0
IP45295/WG [▲]	IP45295/RO/WG [▲]	1200	800	500	490	170	1140	740	975	570	60.0
IP61295/WG [▲]	IP61295/RO/WG [▲]	1600	800	500	490	170	1540	740	1375	570	76.0
IP69295/WG [▲]	IP69295/RO/WG [▲]	1800	800	500	490	170	1740	740	1575	570	83.0
IP77295/WG [▲]	IP77295/RO/WG [▲]	2000	800	500	490	170	1940	740	1775	570	91.0
IP77136/WG [▲]	IP77136/RO/WG [▲]	2000	400	600	440	120	1740	340	1775	170	54.0
IP29216/WG [▲]	IP29216/RO/WG [▲]	800	600	600	490	170	740	540	575	370	42.0
IP45216/WG [▲]	IP45216/RO/WG [▲]	1200	600	600	490	170	1140	540	975	370	56.0
IP61216/WG [▲]	IP61216/RO/WG [▲]	1600	600	600	490	170	1540	540	1375	370	70.0
IP77216/WG [▲]	IP77216/RO/WG [▲]	2000	600	600	490	170	1940	540	1775	370	84.0
IP77296/WG [▲]	IP77296/RO/WG [▲]	2000	800	600	490	170	1940	740	1775	570	99.0
IP77218/WG [▲]	IP77218/RO/WG [▲]	2000	600	800	490	170	1940	540	1775	370	94.0
IP77298/WG [▲]	IP77298/RO/WG [▲]	2000	800	800	490	170	1940	740	1775	570	109.0

▲ Available on request

Monarch IP – 316 Stainless Steel

Industrial Enclosures & Switchboard Building Systems



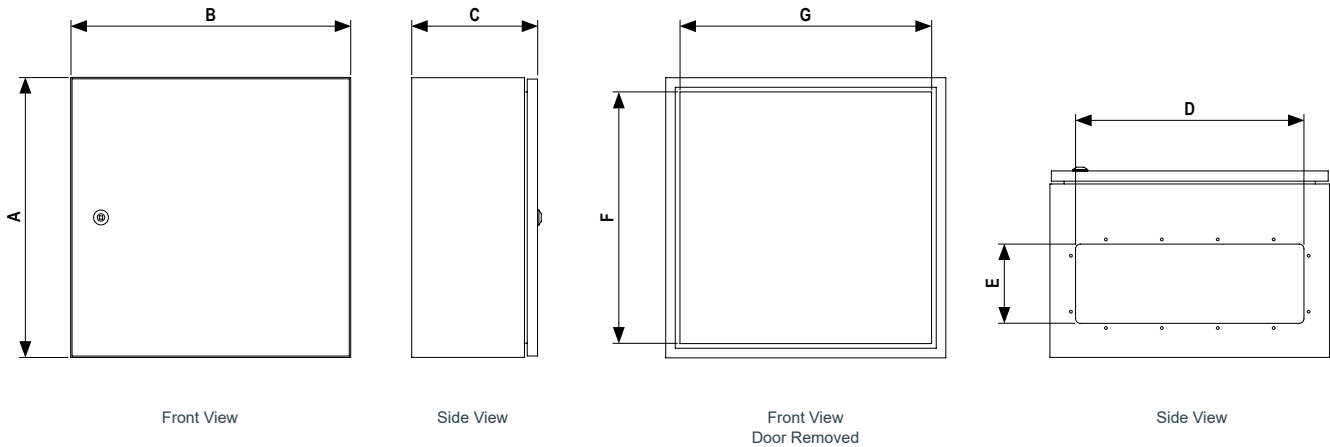
- Suitable for small motor control applications, lighting, CT metering and smaller switchboard applications.
- Premium enclosure and switchboard building system designed to be the ultimate in flexibility.
- Conformity, Approvals:
 - Lloyds Register #06/10007 (E2)
- Region D wind rated to AS1170.2-2002: Structural design actions - Wind actions
- Manufactured from 1.2/1.5mm thick 316 stainless steel.
- N4 surface finish or Powdercoated X15 Orange.

Comes standard with:

- 'C' rail mountings (4 rails on heights up to 800mm and 8 rails on 1200mm and above)
- Gland plate (fitted internally or externally on 400mm deep and deeper)
- Stainless steel lock with 7mm square stainless steel insert (IP020/S) on units below 1600mm high and lockable L handles (IP050) on others
- 3-point locking on units of 600mm high and above
- Removable back on units 400mm deep and deeper
- Door rails and earth strap kit



TECHNICAL DRAWINGS



ACCESSORIES QUICK SELECTION

Accessories	Page No.	Accessories	Page No.	Accessories	Page No.
Rainhoods	22	Escutcheon Rails	26	Universal Rails	30
Gland Plates	22	Fixed Escutcheons	27	19" Mounting Rails	30
Plinths	23	Mounting Brackets	27	Laptop Lecterns	30
Vent Kits	23	Universal Rail Kits	28	Document Holders	31
Vent Hoods	24	Door Stays	28	Schedule Holders	31
Mounting Pans	24	Eye Bolts	28	Backmount Frame	31
Insulated Mounting Panels	25	Shelves	29	Load Centre	31
Double Hinged Insulating Panels	25	DIN Rails	29	General Accessories	32
Hinged Escutcheons	26	Standard Rails – C Section	30	Locks	33

Monarch IP – 316 Stainless Steel


Industrial Enclosures & Switchboard Building Systems



ORDERING GUIDE

Part Number	Part Number X15 Ripple Orange	Dimensions (mm)								
		External			Gland Opening		Opening		Material Thickness (mm)	Weight (kg)
		Height (A)	Width (B)	Depth (C)	Width (D)	Depth (E)	Height (F)	Width (G)		
IP09051/S*		300	200	175	–	–	255	255	1.2	4.2
P13091/S		400	300	175	–	–	355	255	1.2	7.0
IP13132/S	IP13132/SRO [▲]	400	400	270	–	–	340	340	1.2	16.0
IP21132/S	IP21132/SRO [▲]	600	400	270	–	–	540	340	1.2	16.0
IP13212/S	IP13212/SRO [▲]	400	600	270	–	–	340	540	1.5	16.0
IP21212/S	IP21212/SRO [▲]	600	600	270	–	–	540	540	1.5	21.0
IP29212/S	IP29212/SRO [▲]	800	600	270	–	–	740	540	1.5	26.0
IP37212/S	IP37212/SRO [▲]	1000	600	270	–	–	940	540	1.5	31.0
IP45212/S	IP45212/SRO [▲]	1200	600	270	–	–	1140	540	1.5	36.0
IP21292/S	IP21292/SRO [▲]	600	800	270	–	–	540	740	1.5	26.0
IP13214/S	IP13214/SRO [▲]	400	600	400	490	170	340	540	1.5	20.0
IP21214/S	IP21214/SRO [▲]	600	600	400	490	170	540	540	1.5	25.0
IP29214/S	IP29214/SRO [▲]	800	600	400	490	170	740	540	1.5	31.0
IP45214/S	IP45214/SRO [▲]	1200	600	400	490	170	1140	540	1.5	42.0
IP61214/S	IP61214/SRO [▲]	1600	600	400	490	170	1540	540	1.5	53.0
IP69214/S [▲]	IP69214/SRO [▲]	1800	600	400	490	170	1740	540	1.5	59.0
IP77214/S [▲]	IP77214/SRO [▲]	2000	600	400	490	170	1940	540	1.5	65.0
IP25254/S	IP25254/SRO [▲]	700	700	400	490	170	640	640	1.5	31.0
IP37254/S	IP37254/SRO [▲]	1000	700	400	490	170	940	640	1.5	40.0
IP21294/S	IP21294/SRO [▲]	600	800	400	490	170	540	740	1.5	31.0
IP29294/S	IP29294/SRO [▲]	800	800	400	490	170	740	740	1.5	38.0
IP37294/S	IP37294/SRO [▲]	1000	800	400	490	170	940	740	1.5	44.0
IP45294/S	IP45294/SRO [▲]	1200	800	400	490	170	1140	740	1.5	51.0
IP61294/S	IP61294/SRO [▲]	1600	800	400	490	170	1540	740	1.5	64.0
IP69294/S	IP69294/SRO [▲]	1800	800	400	490	170	1740	740	1.5	71.0
IP77294/S	IP77294/SRO [▲]	2000	800	400	490	170	1940	740	1.5	78.0
IP77135/S [▲]	IP77135/SRO [▲]	2000	400	500	490	170	1940	740	1.5	78.0
IP21295/S [▲]	IP21295/SRO [▲]	600	800	500	490	170	540	740	1.5	35.0
IP29215/S	IP29215/SRO [▲]	800	600	500	490	170	740	540	1.5	35.0
IP45215/S [▲]	IP45215/SRO [▲]	1200	600	500	490	170	1140	540	1.5	47.0
IP61215/S [▲]	IP61215/SRO [▲]	1600	600	500	490	170	1540	540	1.5	60.0
IP69215/S [▲]	IP69215/SRO [▲]	1800	600	500	490	170	1740	540	1.5	66.0
IP77215/S [▲]	IP77215/SRO [▲]	2000	600	500	490	170	1940	540	1.5	72.0
IP45295/S	IP45295/SRO [▲]	1200	800	500	490	170	1140	740	1.5	57.0
IP61295/S	IP61295/SRO [▲]	1600	800	500	490	170	1540	740	1.5	71.0
IP69295/S	IP69295/SRO [▲]	1800	800	500	490	170	1740	740	1.5	78.0
IP77295/S	IP77295/SRO [▲]	2000	800	500	490	170	1940	740	1.5	85.0
IP77136/S [▲]	IP77136/SRO [▲]	2000	400	600	120	440	1940	340	1.5	73.0
IP29216/S [▲]	IP29216/SRO [▲]	800	600	600	490	170	740	540	1.5	39.0
IP45216/S	IP45216/SRO [▲]	1200	600	600	490	170	1140	540	1.5	52.0
IP61216/S [▲]	IP61216/SRO [▲]	1600	600	600	490	170	1540	540	1.5	66.0
IP77216/S [▲]	IP77216/SRO [▲]	2000	600	600	490	170	1940	540	1.5	79.0
IP77296/S	IP77296/SRO [▲]	2000	800	600	490	170	1940	740	1.5	93.0
IP77218/S [▲]	IP77218/SRO [▲]	2000	600	800	490	170	1940	540	1.5	99.6
IP77298/S [▲]	IP77298/SRO [▲]	2000	800	800	490	170	1940	740	1.5	116.5

* Does not include body rails or C rails.
[▲] Available on request

 See Pages 40-41 for more information about B&R's range of lighting solutions or contact your local sales representative to discuss your requirements.

Monarch IP Viewing Window – 316 Stainless Steel

Industrial Enclosures & Switchboard Building Systems



- Suitable for small motor control applications, lighting, CT metering and smaller switchboard applications.
- Premium enclosure and switchboard building system designed to be the ultimate in flexibility.
- Conformity, Approvals:
 - Lloyds Register #06/10007 (E2)
 - Region D wind rated to AS1170.2-2002: Structural design actions - Wind actions
 - Manufactured from 1.2/1.5mm thick 316 stainless steel.
 - N4 surface finish or Powdercoated X15 Orange.

Comes standard with:

- 'C' rail mountings (4 rails on heights up to 800mm and 8 rails on 1200mm and above)
- Gland plate (fitted internally or externally on 400mm deep and deeper)
- Stainless steel lock with 7mm square stainless steel insert (IP020/S) on units below 1600mm high and lockable L handles (IP050) on others
- 3-point locking on units of 600mm high and above
- Removable back on units 400mm deep and deeper
- Door rails and earth strap kit
- Glass Viewing Window - 5.4 thickness



ACCESSORIES QUICK SELECTION

Accessories	Page No.	Accessories	Page No.	Accessories	Page No.
Rainhoods	22	Escutcheon Rails	26	Universal Rails	30
Gland Plates	22	Fixed Escutcheons	27	19" Mounting Rails	30
Plinths	23	Mounting Brackets	27	Laptop Lecterns	30
Vent Kits	23	Universal Rail Kits	28	Document Holders	31
Vent Hoods	24	Door Stays	28	Schedule Holders	31
Mounting Pans	24	Eye Bolts	28	Backmount Frame	31
Insulated Mounting Panels	25	Shelves	29	Load Centre	31
Double Hinged Insulating Panels	25	DIN Rails	29	General Accessories	32
Hinged Escutcheons	26	Standard Rails – C Section	30	Locks	33

Monarch IP Viewing Window – 316 Stainless Steel

Industrial Enclosures & Switchboard Building Systems



ORDERING GUIDE

Part Number	Part Number X15 Ripple Orange	Dimensions (mm)									Weight (kg)
		External			Gland Opening		Opening		Viewing Window		
		Height (A)	Width (B)	Depth (C)	Width (D)	Depth (E)	Height (F)	Width (G)	Height (H)	Width (I)	
IP13132/S/WG [▲]	IP13132/SRO/WG [▲]	400	400	270	–	–	340	340	185	185	16.0
IP21132/S/WG [▲]	IP21132/SRO/WG [▲]	600	400	270	–	–	540	340	375	170	16.0
IP13212/S/WG [▲]	IP13212/SRO/WG [▲]	400	600	270	–	–	340	540	175	370	16.0
IP21212/S/WG [▲]	IP21212/SRO/WG [▲]	600	600	270	–	–	540	540	375	370	21.0
IP29212/S/WG [▲]	IP29212/SRO/WG [▲]	800	600	270	–	–	740	540	575	370	26.0
IP37212/S/WG [▲]	IP37212/SRO/WG [▲]	1000	600	270	–	–	940	540	775	370	31.0
IP45212/S/WG [▲]	IP45212/SRO/WG [▲]	1200	600	270	–	–	1140	540	975	370	36.0
IP21292/S/WG [▲]	IP21292/SRO/WG [▲]	600	800	270	–	–	540	740	375	570	26.0
IP13214/S/WG [▲]	IP13214/SRO/WG [▲]	400	600	400	490	170	340	540	175	370	20.0
IP21214/S/WG [▲]	IP21214/SRO/WG [▲]	600	600	400	490	170	540	540	375	370	25.0
IP29214/S/WG [▲]	IP29214/SRO/WG [▲]	800	600	400	490	170	740	540	575	370	31.0
IP45214/S/WG [▲]	IP45214/SRO/WG [▲]	1200	600	400	490	170	1140	540	975	370	42.0
IP61214/S/WG [▲]	IP61214/SRO/WG [▲]	1600	600	400	490	170	1540	540	1375	370	53.0
IP69214/S/WG [▲]	IP69214/SRO/WG [▲]	1800	600	400	490	170	1740	540	1575	370	59.0
IP77214/S/WG [▲]	IP77214/SRO/WG [▲]	2000	600	400	490	170	1940	540	1775	370	65.0
IP25254/S/WG [▲]	IP25254/SRO/WG [▲]	700	700	400	490	170	640	640	475	470	71.0
IP37254/S/WG [▲]	IP37254/SRO/WG [▲]	1000	700	400	490	170	940	640	775	470	31.0
IP21294/S/WG [▲]	IP21294/SRO/WG [▲]	600	800	400	490	170	540	740	375	570	40.0
IP29294/S/WG [▲]	IP29294/SRO/WG [▲]	800	800	400	490	170	740	740	575	570	31.0
IP37294/S/WG [▲]	IP37294/SRO/WG [▲]	1000	800	400	490	170	940	740	775	570	38.0
IP45294/S/WG [▲]	IP45294/SRO/WG [▲]	1200	800	400	490	170	1140	740	975	570	44.0
IP61294/S/WG [▲]	IP61294/SRO/WG [▲]	1600	800	400	490	170	1540	740	1375	570	51.0
IP69294/S/WG [▲]	IP69294/SRO/WG [▲]	1800	800	400	490	170	1740	740	1575	570	64.0
IP77294/S/WG [▲]	IP77294/SRO/WG [▲]	2000	800	400	490	170	1940	740	1775	570	71.0
IP77135/S/WG [▲]	IP77135/SRO/WG [▲]	2000	800	400	490	170	1940	740	1775	170	78.0
IP21295/S/WG [▲]	IP21295/SRO/WG [▲]	600	800	500	490	170	540	740	575	370	35.0
IP29215/S/WG [▲]	IP29215/SRO/WG [▲]	800	600	500	490	170	740	540	975	370	35.0
IP45215/S/WG [▲]	IP45215/SRO/WG [▲]	1200	600	500	490	170	1140	540	1375	370	47.0
IP61215/S/WG [▲]	IP61215/SRO/WG [▲]	1600	600	500	490	170	1540	540	1575	370	60.0
IP69215/S/WG [▲]	IP69215/SRO/WG [▲]	1800	600	500	490	170	1740	540	1775	370	66.0
IP77215/S/WG [▲]	IP77215/SRO/WG [▲]	2000	600	500	490	170	1940	540	375	570	72.0
IP45295/S/WG [▲]	IP45295/SRO/WG [▲]	1200	800	500	490	170	1140	740	975	570	57.0
IP61295/S/WG [▲]	IP61295/SRO/WG [▲]	1600	800	500	490	170	1540	740	1375	570	71.0
IP69295/S/WG [▲]	IP69295/SRO/WG [▲]	1800	800	500	490	170	1740	740	1575	570	78.0
IP77295/S/WG [▲]	IP77295/SRO/WG [▲]	2000	800	500	490	170	1940	740	1775	570	85.0
IP77136/S/WG [▲]	IP77136/SRO/WG [▲]	2000	400	600	120	440	1940	340	1775	170	73.0
IP29216/S/WG [▲]	IP29216/SRO/WG [▲]	800	600	600	490	170	740	540	575	370	39.0
IP45216/S/WG [▲]	IP45216/SRO/WG [▲]	1200	600	600	490	170	1140	540	975	370	52.0
IP61216/S/WG [▲]	IP61216/SRO/WG [▲]	1600	600	600	490	170	1540	540	1375	370	66.0
IP77216/S/WG [▲]	IP77216/SRO/WG [▲]	2000	600	600	490	170	1940	540	1775	370	79.0
IP77296/S/WG [▲]	IP77296/SRO/WG [▲]	2000	800	600	490	170	1940	740	1775	570	93.0
IP77218/S/WG [▲]	IP77218/SRO/WG [▲]	2000	600	800	490	170	1940	540	1775	370	99.6
IP77298/S/WG [▲]	IP77298/SRO/WG [▲]	2000	800	800	490	170	1940	740	1775	570	116.5

▲ Available on request

Monarch IP – Aluminium

Industrial Enclosures and Switchboard Building Systems



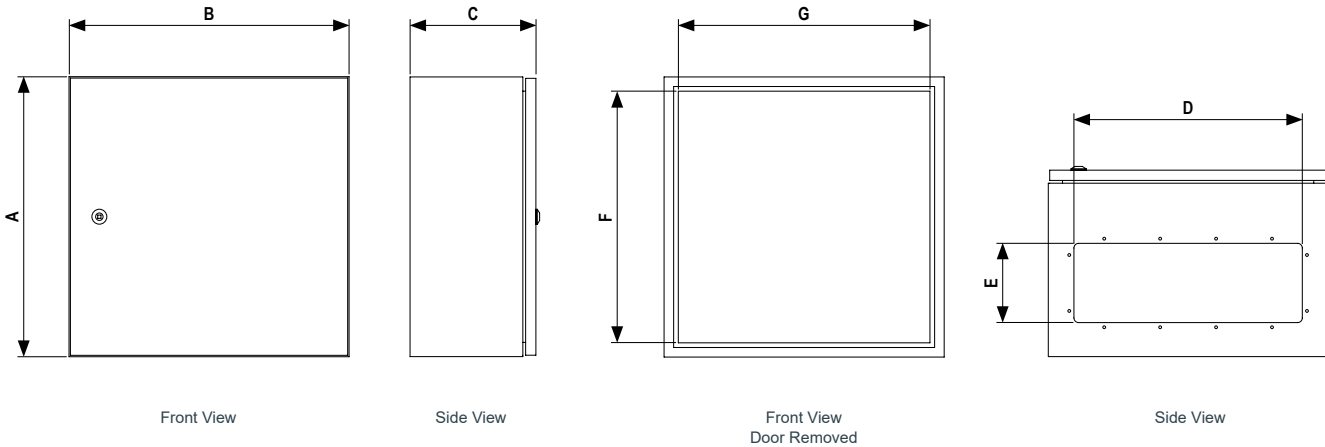
- Suitable for small motor control applications, lighting, CT metering and smaller switchboard applications.
- Premium enclosure and switchboard building system designed to be the ultimate in flexibility.
- Conformity, Approvals:
Lloyds Register #06/10007 (E2)
- Region D wind rated to AS1170.2-2002: Structural design actions - Wind actions
- Manufactured from 2.5mm thick aluminium.
- Powdercoated Light Grey RAL7035 or X15 Orange

Comes standard with:

- 'C' rail mountings (4 rails on heights up to 800mm and 8 rails on 1200mm and above)
- Gland plate (fitted internally or externally)
- 7mm square turnbuckle lock (IP020/PS) on units below 1600mm high and lockable L handles (IP050) on others
- 3-point locking on units of 600mm high and higher
- Removable back on units 400mm deep and deeper
- Rear panel is internally secured
- Door rails and earth strap kit



TECHNICAL DRAWINGS




ACCESSORIES QUICK SELECTION

Accessories	Page No.	Accessories	Page No.	Accessories	Page No.
Rainhoods	22	Escutcheon Rails	26	Universal Rails	30
Gland Plates	22	Fixed Escutcheons	27	19" Mounting Rails	30
Plinths	23	Mounting Brackets	27	Laptop Lecterns	30
Vent Kits	23	Universal Rail Kits	28	Document Holders	31
Vent Hoods	24	Door Stays	28	Schedule Holders	31
Mounting Pans	24	Eye Bolts	28	Backmount Frame	31
Insulated Mounting Panels	25	Shelves	29	Load Centre	31
Double Hinged Insulating Panels	25	DIN Rails	29	General Accessories	32
Hinged Escutcheons	26	Standard Rails – C Section	30	Locks	33

ORDERING GUIDE

		Dimensions (mm)							Material Thickness (mm)	Weight (kg)
		External		Gland Opening		Opening				
Part Number	Part Number	Height (A)	Width (B)	Depth (C)	Width (D)	Depth (E)	Height (F)	Width (G)		
IP13132/A [▲]	IP13132/ARO [▲]	407	407	272	250	120	341	341	1.2	6.5
IP21132/A [▲]	IP21132/ARO [▲]	607	407	272	440	120	541	341	1.2	8.5
IP13212/A [▲]	IP13212/ARO [▲]	407	607	272	440	120	341	541	1.5	8.5
IP21212/A [▲]	IP21212/ARO [▲]	607	607	272	440	120	541	541	1.5	11.0
IP29212/A [▲]	IP29212/ARO [▲]	807	607	272	440	120	741	541	1.5	13.0
IP37212/A [▲]	IP37212/ARO [▲]	1007	607	272	440	120	941	541	1.5	15.5
IP45212/A [▲]	IP45212/ARO [▲]	1207	607	272	440	120	1141	541	1.5	18.0
IP21292/A [▲]	IP21292/ARO [▲]	607	807	272	440	120	541	741	1.5	13.0
IP13214/A [▲]	IP13214/ARO [▲]	407	607	402	490	170	341	541	1.5	11.0
IP21214/A [▲]	IP21214/ARO [▲]	607	607	402	490	170	541	541	1.5	15.0
IP29214/A	IP29214/ARO [▲]	807	607	402	490	170	1141	541	1.5	18.0
IP45214/A [▲]	IP45214/ARO [▲]	1207	607	402	490	170	1541	541	1.5	24.0
IP61214/A [▲]	IP61214/ARO [▲]	1607	607	402	490	170	1141	541	1.5	30.0
IP69214/A [▲]	IP69214/ARO [▲]	1807	607	402	490	170	1741	541	1.5	34.0
IP77214/A [▲]	IP77214/ARO [▲]	2007	607	402	490	170	1941	541	1.5	37.0
IP25254/A [▲]	IP25254/ARO [▲]	707	707	402	490	170	641	641	1.5	18.0
IP37254/A [▲]	IP37254/ARO [▲]	1007	707	402	490	170	941	641	1.5	22.0
IP21294/A [▲]	IP21294/ARO [▲]	607	807	402	490	170	541	741	1.5	18.0
IP29294/A [▲]	IP29294/ARO [▲]	807	807	402	490	170	741	741	1.5	21.0
IP37294/A [▲]	IP37294/ARO [▲]	1007	807	402	490	170	941	741	1.5	25.0
IP45294/A	IP45294/ARO [▲]	1207	807	402	490	170	1141	741	1.5	29.0
IP61294/A [▲]	IP61294/ARO [▲]	1607	807	402	490	170	1541	741	1.5	37.0
IP69294/A [▲]	IP69294/ARO [▲]	1807	807	402	490	170	1741	741	1.5	40.0
IP77294/A [▲]	IP77294/ARO [▲]	2007	807	402	490	170	1941	741	1.5	44.0
IP77135/A [▲]	IP77135/ARO [▲]	2007	407	502	490	170	741	541	1.5	21.0
IP29215/A [▲]	IP29215/ARO [▲]	807	607	502	490	170	1141	541	1.5	27.0
IP45215/A [▲]	IP45215/ARO [▲]	1207	607	502	490	170	1541	541	1.5	34.0
IP61215/A [▲]	IP61215/ARO [▲]	1607	607	502	490	170	1741	541	1.5	37.0
IP69215/A [▲]	IP69215/ARO [▲]	1807	607	502	490	170	1941	541	1.5	41.0
IP77215/A [▲]	IP77215/ARO [▲]	2007	607	502	120	250	1941	341	1.5	42.7
IP21295/A [▲]	IP21295/ARO [▲]	607	807	502	490	170	541	741	1.5	21.0
IP45295/A	IP45295/ARO [▲]	1207	807	502	490	170	1141	741	1.5	32.0
IP61295/A [▲]	IP61295/ARO [▲]	1607	807	502	490	170	1541	741	1.5	40.0
IP69295/A [▲]	IP69295/ARO [▲]	1807	807	502	490	170	1741	741	1.5	44.0
IP77295/A [▲]	IP77295/ARO [▲]	2007	807	502	490	170	1941	741	1.5	48.0
IP77136/A [▲]	IP77136/ARO [▲]	2007	407	602	120	440	1941	341	1.5	43.8
IP29216/A [▲]	IP29216/ARO [▲]	807	607	602	490	170	741	541	1.5	27.0
IP45216/A [▲]	IP45216/ARO [▲]	1207	607	602	490	170	1141	541	1.5	36.0
IP61216/A [▲]	IP61216/ARO [▲]	1607	607	602	490	170	1541	541	1.5	40.0
IP77216/A [▲]	IP77216/ARO [▲]	2007	607	602	490	170	1741	541	1.5	45.0
IP61296/A [▲]	—	1607	807	602	490	170	1541	741	1.5	43.0
IP77296/A [▲]	IP77296/ARO [▲]	2007	807	602	490	170	1941	741	1.5	53.0
IP77218/A [▲]	IP77218/ARO [▲]	2007	607	802	490	170	1941	541	1.5	59.8
IP77298/A [▲]	IP77298/ARO [▲]	2007	807	802	490	170	1941	741	1.5	68.3

▲ Available on request

 See **Pages 40-41** for more information about B&R's range of lighting solutions or contact your local sales representative to discuss your requirements.

Monarch IP Viewing Window – Aluminium

Industrial Enclosures and Switchboard Building Systems



- Suitable for small motor control applications, lighting, CT metering and smaller switchboard applications.
- Premium enclosure and switchboard building system designed to be the ultimate in flexibility.
- Conformity, Approvals:
Lloyds Register #06/10007 (E2)
- Region D wind rated to AS1170.2-2002: Structural design actions - Wind actions
- Manufactured from 2.5mm thick aluminium.
- Powdercoated Light Grey RAL7035 or X15 Orange.

Comes standard with:

- 'C' rail mountings (4 rails on heights up to 800mm and 8 rails on 1200mm and above)
- Gland plate (fitted internally or externally)
- 7mm square turnbuckle lock (IP020/PS) on units below 1600mm high and lockable L handles (IP050) on others
- 3-point locking on units of 600mm high and higher
- Removable back on units 400mm deep and deeper
- Rear panel is internally secured
- Door rails and earth strap kit
- Glass Viewing Window - 5.4mm thickness



ACCESSORIES QUICK SELECTION

Accessories	Page No.	Accessories	Page No.	Accessories	Page No.
Rainhoods	22	Escutcheon Rails	26	Universal Rails	30
Gland Plates	22	Fixed Escutcheons	27	19" Mounting Rails	30
Plinths	23	Mounting Brackets	27	Laptop Lecterns	30
Vent Kits	23	Universal Rail Kits	28	Document Holders	31
Vent Hoods	24	Door Stays	28	Schedule Holders	31
Mounting Pans	24	Eye Bolts	28	Backmount Frame	31
Insulated Mounting Panels	25	Shelves	29	Load Centre	31
Double Hinged Insulating Panels	25	DIN Rails	29	General Accessories	32
Hinged Escutcheons	26	Standard Rails – C Section	30	Locks	33

Monarch IP Viewing Window – Aluminium

Industrial Enclosures and Switchboard Building Systems



ORDERING GUIDE

		Dimensions (mm)										
		External			Gland Opening		Opening		Viewing Window			
Part Number	Part Number	Height (A)	Width (B)	Depth (C)	Width (D)	Depth (E)	Height (F)	Width (G)	Height (H)	Width (I)	Weight (kg)	
IP13132/A/WG [▲]	IP13132/ARO/WG [▲]	407	407	272	250	120	341	341	185	185	6.5	
IP21132/A/WG [▲]	IP21132/ARO/WG [▲]	607	407	272	440	120	541	341	375	170	8.5	
IP13212/A/WG [▲]	IP13212/ARO/WG [▲]	407	607	272	440	120	341	541	175	370	8.5	
IP21212/A/WG [▲]	IP21212/ARO/WG [▲]	607	607	272	440	120	541	541	375	370	11.0	
IP29212/A/WG [▲]	IP29212/ARO/WG [▲]	807	607	272	440	120	741	541	575	370	13.0	
IP37212/A/WG [▲]	IP37212/ARO/WG [▲]	1007	607	272	440	120	941	541	775	370	15.5	
IP45212/A/WG [▲]	IP45212/ARO/WG [▲]	1207	607	272	440	120	1141	541	975	370	18.0	
IP21292/A/WG [▲]	IP21292/ARO/WG [▲]	607	807	272	440	120	541	741	375	570	13.0	
IP13214/A/WG [▲]	IP13214/ARO/WG [▲]	407	607	402	490	170	341	541	175	370	11.0	
IP21214/A/WG [▲]	IP21214/ARO/WG [▲]	607	607	402	490	170	541	541	375	370	15.0	
IP29214/A/WG [▲]	IP29214/ARO/WG [▲]	807	607	402	490	170	1141	541	575	370	18.0	
IP45214/A/WG [▲]	IP45214/ARO/WG [▲]	1207	607	402	490	170	1541	541	975	370	24.0	
IP61214/A/WG [▲]	IP61214/ARO/WG [▲]	1607	607	402	490	170	1141	541	1375	370	30.0	
IP69214/A/WG [▲]	IP69214/ARO/WG [▲]	1807	607	402	490	170	1741	541	1575	370	34.0	
IP77214/A/WG [▲]	IP77214/ARO/WG [▲]	2007	607	402	490	170	1941	541	1775	370	37.0	
IP25254/A/WG [▲]	IP25254/ARO/WG [▲]	707	707	402	490	170	641	641	475	470	18.0	
IP37254/A/WG [▲]	IP37254/ARO/WG [▲]	1007	707	402	490	170	941	641	775	470	22.0	
IP21294/A/WG [▲]	IP21294/ARO/WG [▲]	607	807	402	490	170	541	741	375	570	18.0	
IP29294/A/WG [▲]	IP29294/ARO/WG [▲]	807	807	402	490	170	741	741	575	570	21.0	
IP37294/A/WG [▲]	IP37294/ARO/WG [▲]	1007	807	402	490	170	941	741	775	570	25.0	
IP45294/A/WG [▲]	IP45294/ARO/WG [▲]	1207	807	402	490	170	1141	741	975	570	29.0	
IP61294/A/WG [▲]	IP61294/ARO/WG [▲]	1607	807	402	490	170	1541	741	1375	570	37.0	
IP69294/A/WG [▲]	IP69294/ARO/WG [▲]	1807	807	402	490	170	1741	741	1575	570	40.0	
IP77294/A/WG [▲]	IP77294/ARO/WG [▲]	2007	807	402	490	170	1941	741	1775	570	44.0	
IP77135/A/WG [▲]	IP77135/ARO/WG [▲]	807	607	502	490	170	741	541	1775	170	21.0	
IP29215/A/WG [▲]	IP29215/ARO/WG [▲]	1207	607	502	490	170	1141	541	575	370	27.0	
IP45215/A/WG [▲]	IP45215/ARO/WG [▲]	1607	607	502	490	170	1541	541	975	370	34.0	
IP61215/A/WG [▲]	IP61215/ARO/WG [▲]	1807	607	502	490	170	1741	541	1375	370	37.0	
IP69215/A/WG [▲]	IP69215/ARO/WG [▲]	2007	607	502	490	170	1941	541	1575	370	41.0	
IP77215/A/WG [▲]	IP77215/ARO/WG [▲]	2007	407	502	120	250	1941	341	1775	370	42.7	
IP21295/A/WG [▲]	IP21295/ARO/WG [▲]	607	807	502	490	170	541	741	375	570	21.0	
IP45295/A/WG [▲]	IP45295/ARO/WG [▲]	1207	807	502	490	170	1141	741	975	570	32.0	
IP61295/A/WG [▲]	IP61295/ARO/WG [▲]	1607	807	502	490	170	1541	741	1375	570	40.0	
IP69295/A/WG [▲]	IP69295/ARO/WG [▲]	1807	807	502	490	170	1741	741	1575	570	44.0	
IP77295/A/WG [▲]	IP77295/ARO/WG [▲]	2007	807	502	490	170	1941	741	1775	570	48.0	
IP77136/A/WG [▲]	IP77136/ARO/WG [▲]	2007	407	602	120	440	1941	341	1775	170	43.8	
IP29216/A/WG [▲]	IP29216/ARO/WG [▲]	807	607	602	490	170	741	541	575	370	27.0	
IP45216/A/WG [▲]	IP45216/ARO/WG [▲]	1207	607	602	490	170	1141	541	975	370	36.0	
IP61216/A/WG [▲]	IP61216/ARO/WG [▲]	1607	607	602	490	170	1541	541	1375	370	40.0	
IP77216/A/WG [▲]	IP77216/ARO/WG [▲]	2007	607	602	490	170	1741	541	1775	370	45.0	
IP61296/A/WG [▲]	—	1607	807	602	490	170	1541	741	1775	570	53.0	
IP77296/A/WG [▲]	IP77296/ARO/WG [▲]	2007	807	602	490	170	1941	741	1775	370	59.8	
IP77218/A/WG [▲]	IP77218/ARO/WG [▲]	2007	607	802	490	170	1941	541	1775	570	68.3	
IP77298/A/WG [▲]	IP77298/ARO/WG [▲]	2007	807	802	490	170	1941	741	1375	570	43.0	

[▲] Available on request

Monarch IP

Accessories to suit all Monarch IP enclosures

Rainhoods

Rainhoods are designed to shed water from the top of the enclosure to prevent it from pooling on top of the enclosure. The rainhoods have an overhang of 14mm.

Part Number	Material	Dimensions (mm)			Slope Angle (Degrees)	To suit enclosures (mm)		
		Height	Width	Depth		Width	Depth	
IPRH132 [▲]	Zinc coated steel	30	400	284	2.0	400	270	
IPRH211 [▲]		30	600	189	3.0	600	175	
IPRH212		30	600	284	2.0	600	270	
IPRH214		30	600	414	1.5	600	400	
IPRH215 [▲]		30	600	514	1.0	600	500	
IPRH216 [▲]		30	600	614	1.0	600	600	
IPRH254		30	700	414	1.5	700	400	
IPRH292 [▲]		30	800	284	2.0	800	270	
IPRH294		30	800	414	1.5	800	400	
IPRH295		30	800	514	1.0	800	500	
IPRH296 [▲]		30	800	614	1.0	800	600	
IPRH051/S [▲]		316 stainless steel	30	200	189	3.0	200	175
IPRH091/S [▲]			30	300	189	3.0	300	175
IPRH132/S			30	400	284	2.0	400	270
IPRH211/S [▲]	30		600	189	3.0	600	175	
IPRH212/S	30		600	284	2.0	600	270	
IPRH214/S	30		600	414	1.5	600	400	
IPRH215/S [▲]	30		600	514	1.0	600	500	
IPRH216/S	30		600	614	1.0	600	600	
IPRH254/S [▲]	30		700	414	1.5	700	400	
IPRH292/S [▲]	30		800	284	2.0	800	270	
IPRH294/S	30		800	414	1.5	800	400	
IPRH295/S	30		800	514	1.0	800	500	
IPRH296/S [▲]	30		800	614	1.0	800	600	

[▲] Available on request



Zinc coated steel

Gland Plates

Designed for efficient and flexible fitting and installation of cable glands.

Part Number	Material	Dimensions (mm)			To suit enclosure (mm)	
		Width	Depth	Thickness	Width	Depth
IPGP31 [▲]	Zinc coated steel	290	160	1.6	400	270
IPGP41 [▲]		480	160	1.6	600 or 800	270
IPGP52 [▲]		530	210	1.6	600, 700 or 800	400, 500 or 600
IPGS31	316 stainless steel	290	160	1.5	400	270
IPGS41		480	160	1.5	600 or 800	270
IPGS52		530	210	1.5	600, 700 or 800	400, 500 or 600
IPGB31	Brass	290	160	6	400	270
IPGB41		480	160	6	600 or 800	270
IPGB52		530	210	6	600, 700 or 800	400, 500 or 600
IPGA31	Aluminium	290	160	2.5	400	270
IPGA41		480	160	2.5	600 or 800	270
IPGA52		530	210	2.5	600, 700 or 800	400, 500 or 600

[▲] Available on request



IPGB

Monarch IP

Accessories to suit all Monarch IP enclosures



Plinths

Designed for use when mounting enclosures on the floor.

Product	Material	Part Number	Dimensions (mm)			To suit enclosures (mm)	
			Height	Width	Depth	Width	Depth
Access plinths	Steel	IPPH214	200	600	374	600	400
		IPPH215 [▲]	200	600	474	600	500
		IPPH216 [▲]	200	600	574	600	600
		IPPH294	200	800	374	800	400
		IPPH295	200	800	474	800	500
		IPPH296 [▲]	200	800	574	800	600
		IPPH295/3 [▲]	300	800	470	800	500
	316 stainless steel	IPPH214/S	200	600	374	600	400
		IPPH215/S [▲]	200	600	474	600	500
		IPPH216/S [▲]	200	600	574	600	600
		IPPH294/S	200	800	374	800	400
		IPPH295/S	200	800	474	800	500
		IPPH296/S [▲]	200	800	574	800	600
		Plinth	Channel iron	IPPC212	75	600	241
IPPC214	75			600	371	600	400
IPPC215	75			600	471	600	500
IPPC216	75			600	571	600	600
IPPC254	75			700	371	700	400
IPPC294	75			800	371	800	400
IPPC295	75			800	471	800	500
IPPC296 [▲]	75			800	571	800	600
IPPC424	75			1200	371	1200	400
IPPC425 [▲]	75			1200	471	1200	500
IPPC504	75			1400	371	1400	400
IPPC505 [▲]	75			1400	471	1400	500
IPPC584	75			1600	371	1600	400
IPPC585	75			1600	471	1600	500
Clamp bracket	Set of 4 (for use with channel iron plinth)	IPPCB	–	–	–	all	all
Gasket	Neoprene (4m length)	IPPC/G	3	20	–	all	all



IPPC

[▲] Available on request

Vent Kits – IP23

Ensure that the enclosure does not become excessively hot by allowing natural circulation of air.

The vent kit includes a gasket, insert filter and fittings. Note that by the nature of this item, the enclosure will then not be rated to IP66.

Part Number	Material	Description	Dimensions (mm)		
			Height	Width	To suit cutout (mm)
IPVK	Zinc coated steel	Powdercoated RAL7032	130	130	80 x 80
IPVK/LG		Powdercoated RAL7035	130	130	80 x 80
IPVK/RO		Powdercoated X15 Orange	130	130	80 x 80
IPVK16		Powdercoated RAL7032	260	260	190 x 190
IPVK16/LG [▲]		Powdercoated RAL7035	260	260	190 x 190
IPVK16/RO [▲]		Powdercoated X15 Orange	260	260	190 x 190
IPVK/S	316 stainless steel	–	130	130	80 x 80
IPVK/SRO [▲]		Powdercoated X15 Orange	130	130	80 x 80
IPVK16/S [▲]		–	260	260	190 x 190
IPVK16/SRO [▲]		Powdercoated X15 Orange	260	260	190 x 190
IPVK/A	Aluminium	Powdercoated RAL7035	130	130	80 x 80
IPVK16/A [▲]			260	260	190 x 190



IPVK

[▲] Available on request

Monarch IP

Accessories to suit all Monarch IP enclosures

Vent Hoods

Designed to suit B&R's range of fans, filters and vent kits (on selected sizes) to ensure that the fan is protected mechanically and to protect from water and dust ingress.

Part Number	Material	Colour	Dimensions (mm)			To suit
			Height	Width	Depth	
IPVH12	Zinc coated steel	Pebble Grey RAL7032	300	200	50	FAN/FIL12 & IPVK
IPVH12/LG [▲]		Light Grey RAL7035	300	200	50	FAN/FIL12 & IPVK
IPVH12/RO		X15 Orange	300	200	50	FAN/FIL12 & IPVK
IPVH25		Pebble Grey RAL7032	400	300	50	FAN23/28 & FAN/FIL25
IPVH25/LG [▲]		Light Grey RAL7035	400	300	50	FAN23/28 & FAN/FIL25
IPVH25/RO		X15 Orange	400	300	50	FAN23/28 & FAN/FIL25
IPVH35		Pebble Grey RAL7032	475	375	75	FAN/FIL35
IPVH35/LG [▲]		Light Grey RAL7035	475	375	75	FAN/FIL35
IPVH35/RO [▲]		X15 Orange	475	375	75	FAN/FIL35
IPVH12/S	316 stainless steel	N4 finish	300	200	50	FAN/FIL12 & IPVK/S
IPVH12/SRO [▲]		X15 Orange	300	200	50	FAN/FIL12 & IPVK/S
IPVH25/S		N4 finish	400	300	50	FAN23/28 & FAN/FIL25
IPVH25/SRO		X15 Orange	400	300	50	FAN23/28 & FAN/FIL25
IPVH35/S		N4 finish	475	375	75	FAN/FIL35
IPVH35/SRO [▲]		X15 Orange	475	375	75	FAN/FIL35
IPVH12/A [▲]	Aluminium	Light Grey RAL7035	300	200	50	FAN/FIL12 & IPVK
IPVH25/A [▲]			400	300	50	FAN23/28 & FAN/FIL25
IPVH35/A [▲]			475	375	75	FAN/FIL35

[▲] Available on request



IPVH & IPVH/S

Metal Mounting Pans

Very simple to install using the rails supplied as part of the Monarch IP enclosure. They are manufactured from 2mm thick pre-treated mild steel with a gloss white powdercoat finish.

Part Number	Dimensions (mm)			To suit enclosure (mm)	
	Height	Width	Thickness	Height	Width
IPMP0905	250	150	2	300	200
IPMP1309	350	250	2	400	300
IPMP1313	320	340	2	400	400
IPMP1321	320	540	2	400	600
IPMP2113	520	340	2	600	400
IPMP2121	520	540	2	600	600
IPMP2129	520	740	2	600	800
IPMP2525	620	640	2	700	700
IPMP2921 [#]	720	540	2	800	600
IPMP2929 [#]	720	740	2	800	800
IPMP3721 [#]	920	540	2	1000	600
IPMP3725 [#]	920	640	2	1000	700
IPMP3729 [#]	920	740	2	1000	800
IPMP4521 [#]	1120	540	2	1200	600
IPMP4529 [#]	1120	740	2	1200	800
IPMP5321 [▲]	1320	540	2	1400	600
IPMP5329 [▲]	1320	740	2	1400	800
IPMP6121 [*]	1520	540	2	1600	600
IPMP6129 [*]	1520	740	2	1600	800
IPMP6921 [*]	1720	540	2	1800	600
IPMP6929 [*]	1720	740	2	1800	800
IPMP7721 [*]	1920	540	2	2000	600
IPMP7729 [*]	1920	740	2	2000	800

* Mounting pan features double return on sides and single return on top for extra rigidity.

Mounting pan features single return on sides.

[▲] Available on request.



IPMP

Monarch IP

Accessories to suit all Monarch IP enclosures



Insulated Mounting Pans

Suitable where use of a metallic pan is not acceptable. Manufactured from black laminated phenolic material and supplied with all fixings, the insulated mounting pan is easy to install and use.

Part Number	Dimensions (mm)			To suit enclosure (mm)	
	Height	Width	Thickness	Height	Width
IPFP0905 [▲]	250	150	6	300	200
IPFP1309 [▲]	350	250	6	400	300
IPFP1313	320	340	6	400	400
IPFP1321 [▲]	320	540	6	400	600
IPFP2113 [▲]	520	340	6	600	400
IPFP2121	520	540	6	600	600
IPFP2129 [▲]	520	740	6	600	800
IPFP2525 [▲]	620	640	6	700	700
IPFP2921	720	540	6	800	600
IPFP2929 [▲]	720	740	6	800	800
IPFP3721 [▲]	920	540	6	1000	600
IPFP3725 [▲]	920	640	8	1000	700
IPFP3729 [▲]	920	740	8	1000	800
IPFP4521 [▲]	1120	540	8	1200	600
IPFP4529 [▲]	1120	740	8	1200	800

[▲] Available on request



IPFP

Double Hinged Insulating Panels

Mainly used for metering applications. They are functional mounting solution for equipment installation that provides full access to the rear of the panel.

Part Number	Dimensions (mm)			To suit enclosure (mm)	
	Height	Width	Thickness	Height	Width
IPHP1313	320	325	6	400	400
IPHP1321	320	525	6	400	600
IPHP2113	520	325	6	600	400
IPHP2121	520	525	6	600	600
IPHP2129	520	725	6	600	800
IPHP2421	595	525	6	partial height	600
IPHP2429	595	725	6	partial height	800
IPHP2525	620	625	6	700	700
IPHP2921	720	525	6	800	600
IPHP2929	720	725	6	800	800
IPHP3221 [▲]	795	525	6	partial height	600
IPHP3229	795	725	6	partial height	800
IPHP3721	920	525	6	1000	600
IPHP3725 [▲]	920	625	8	1000	700
IPHP3729	920	725	8	1000	800
IPHP4521	1120	525	8	1200	600
IPHP4529	1120	725	8	1200	800

[▲] Available on request



IPHP

Monarch IP

Accessories to suit all Monarch IP enclosures

Hinged Escutcheons

Used for covering internal controls and accessories. They can be mounted singularly or with two or more fitted into the enclosure. Fitting requires universal rail kit (see page 92).

Part Number	Dimensions (mm)			Required (rail kit)	To suit enclosures (mm)	
	Height	Width	Depth		Height	Width
IPHE1313	324	319	18	IPRK1313	400	400
IPHE1321	319	524	18	IPRK1321	400	600
IPHE2113	524	319	18	IPRK2113	600	400
IPHE2121	524	519	18	IPRK2121	600	600
IPHE2129	524	719	18	IPRK2129	600	800
IPHE2421	599	519	18	–	partial	600
IPHE2429	599	719	18	–	partial	800
IPHE2525	624	619	18	IPRK2525	700	700
IPHE2921	724	519	18	IPRK2921	800	600
IPHE2929	724	719	18	IPRK2929	800	800
IPHE3221	799	519	18	–	partial	600
IPHE3229	799	719	18	–	partial	800
IPHE3721	924	519	18	IPRK3721	1000	600
IPHE3725	924	619	18	IPRK3725	1000	700
IPHE3729	924	719	18	IPRK3729	1000	800
IPHE4521	1124	519	18	IPRK4521	1200	600
IPHE4529	1124	719	18	IPRK4529	1200	800
IPHE6121	1524	519	18	IPRK6121	1600	600
IPHE6129	1524	719	18	IPRK6129	1600	800
IPHE6921	1724	519	18	IPRK6921	1800	600
IPHE6929	1724	719	18	IPRK6929	1800	800
IPHE7721	1924	519	18	IPRK7721	2000	600
IPHE7729	1924	719	18	IPRK7729	2000	800



IPHE

Escutcheon Rails

Used where two escutcheons meet in the enclosures.

Part Number	Description	Height (mm)
IP EJ*	Pack of 10	joining bracket
IPER05	–	525
IPER07	–	725
IPER19	–	1975

* Available on request



IPER

Monarch IP

Accessories to suit all Monarch IP enclosures



Fixed Esutcheons

Used for covering internal controls and accessories. They form a second tier mounting arrangement, in front of the mounting pan. They can be mounted singularly or with two or more fitted into the enclosure. Fitting requires universal rail kit (see page 92).

Part Number	Dimensions (mm)			Required (rail kit)	To suit enclosures (mm)	
	Height	Width	Depth		Height	Width
IPFE1308 [▲]	324	199	18	–	–	–
IPFE1313	324	324	18	IPRK1313	400	400
IPFE1316 [▲]	324	399	18	–	–	–
IPFE1321	324	524	18	IPRK1321	400	600
IPFE1329	324	724	18	–	400	800
IPFE1616 [▲]	399	399	18	–	–	–
IPFE2108	524	199	18	–	600	–
IPFE2113	524	324	18	IPRK2113	600	400
IPFE2116	524	399	18	–	600	–
IPFE2121	524	524	18	IPRK2121	600	600
IPFE2129	524	724	18	IPRK2129	600	800
IPFE2408	599	199	18	–	–	–
IPFE2413	599	324	18	–	–	–
IPFE2416	599	399	18	–	–	–
IPFE2421	599	524	18	–	–	–
IPFE2429	599	724	18	–	–	–
IPFE2525 [▲]	624	624	18	IPRK2525	700	700
IPFE2908	724	199	18	–	800	–
IPFE2916	724	399	18	–	800	–
IPFE2921	724	524	18	IPRK2921	800	600
IPFE2929	724	724	18	IPRK2929	800	800
IPFE3208	799	199	18	–	–	–
IPFE3213	799	324	18	–	–	–
IPFE3216	799	399	18	–	–	–
IPFE3221	799	524	18	–	–	–
IPFE3229	799	724	18	–	–	–
IPFE3708	924	199	18	–	–	–
IPFE3713	924	324	18	–	–	–
IPFE3716	924	399	18	–	–	–
IPFE3721	924	524	18	IPRK3721	1000	600
IPFE3725 [▲]	924	624	18	IPRK3725	1000	700
IPFE3729	924	724	18	IPRK3729	1000	800
IPFE4508	1124	199	18	–	–	–
IPFE4513 [▲]	1124	324	18	–	1200	400
IPFE4516 [▲]	1124	399	18	–	–	–
IPFE4521	1124	524	18	IPRK4521	1200	600
IPFE4529	1124	724	18	IPRK4529	1200	800



IPFE

[▲] Available on request

Mounting Brackets

For ease of installation and fixing to the mounting surface. Mounting brackets ensure optimum installation and safety.

Part Number	Material	Quantity	To suit enclosure width (mm)
MEB/S	Stainless steel	4	all
IPWM	Zinc coated steel	4	all
IPWM/A	Aluminium	4	all
IPWM/S	Stainless steel	4	all



MEB/S

Monarch IP

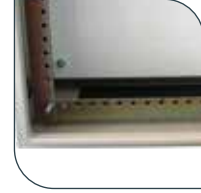
Accessories to suit all Monarch IP enclosures

Universal Rail Kits

Used to install both fixed and hinged escutcheons and complete with 4 rails and fixings. A pair of height rails and a pair of width rails are provided in each kit.

Part Number	Rail lengths (mm)		To suit enclosures (mm)	
	Rail Height	Rail Width	Height	Width
IPRK1313	375	325	400	400
IPRK1321	375	525	400	600
IPRK1329	375	725	400	800
IPRK2113	575	325	600	400
IPRK2121	575	525	600	600
IPRK2129	575	725	600	800
IPRK2525 [^]	675	625	700	700
IPRK2921	775	525	800	600
IPRK2929	775	725	800	800
IPRK3721	975	525	1000	600
IPRK3725	975	625	1000	700
IPRK3729	975	725	1000	800
IPRK4521	1175	525	1200	600
IPRK4529	1175	725	1200	800
IPRK6121	1575	525	1600	600
IPRK6129	1575	725	1600	800
IPRK6921	1775	525	1800	600
IPRK6929	1775	725	1800	800
IPRK7721	1975	525	2000	600
IPRK7729	1975	725	2000	800

[^] Available on request



IPRK

Door Stays

Ensures door remains open even in windy weather ensuring the safety of people working on the installed equipment.

Part Number	Quantity	To suit enclosure width (mm)
IPDS	1	All (except IP09051/S & IP13091/S)



IPDS

Eye Bolts

Ensures enclosure is not damaged when lifted and can be moved safely. Compliant to AS4991:Lifting Devices.

Part Number	Quantity	Lift Rating	To suit enclosure width (mm)
LEB/12	2	125kg per bolt	all



LEB/12

Monarch IP

Accessories to suit all Monarch IP enclosures



Shelves

White powdercoated shelving comes complete with knockout for cabling and all fittings. Designed for use as segregation panels for switchboard applications mounting fixed equipment.

Part Number	Dimensions (mm)		To suit enclosures (mm)	
	Width	Depth	Width	Depth
IPSH211 [▲]	563	105	600	175
IPSH212	563	160	600	270
IPSH214	563	280	600	400
IPSH215	563	380	600	500
IPSH216	563	480	600	600
IPSH254 [▲]	663	280	700	400
IPSH292 [▲]	763	160	800	270
IPSH294	763	280	800	400
IPSH295	763	380	800	500
IPSH296	763	480	800	600

STATIC
UDL
200kg



IPSH



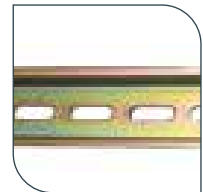
These shelves are NOT designed for load during transport.

[▲] Available on request

DIN Rails

Used for mounting DIN switchgear and accessories into the enclosure. It is available for all models in aluminium, steel and slotted designs.

Part Number	Material	Description	Dimensions (mm)	
			Length	Depth
IPDN03	Aluminium	-	360	15
IPDN05 [▲]			560	15
IPDN07 [▲]			760	15
DIN35/7.5	Steel	-	2000	7.5
DIN35/7.5SL	Steel slotted	-	2000	7.5
DINSB	-	Mounting kit, angle support brackets	-	-



DIN35/7.5SL

[▲] Available on request

Monarch IP

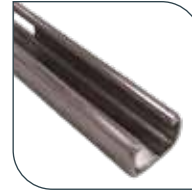
Accessories to suit all Monarch IP enclosures

Standard Rails – C Section

Used to fit additional accessories and rails in the enclosure.

Part Number	Description	Height (mm)	To suit enclosure depth (mm)
IPCR01▲		137	–
IPCR02		232	270
IPCR03		360	400
IPCR04		460	500
IPCR05		560	600
IPTO	Takeoff bracket (pack of 10)	–	–

▲ Available on request



IPCR



IPTO

Universal Rails

Designed for mounting equipment inside an enclosure. Either fixed lengths or can be cut to size requirements.

Part Number	Description	Length (mm)	To suit enclosure height (mm)
IPUV	25 pitch	1975	all
UV1▲	20 pitch	1984	all

▲ Available on request



IPUV

19" Mounting Rails

Designed for mounting equipment inside an enclosure. Either fixed lengths or can be cut to size requirements.

Part Number	Dimensions (mm)			To suit enclosures (mm)	
	Height	Width	Depth	Height	Width
UV19	1946	58.5	76	–	–
IPRU11	536	–	–	600	–
IPRU15	758	–	–	800	–
IPRU24	1158	–	–	1200	600
IPRU32▲	1469	–	–	1600	–
IPRU38▲	1736	–	–	1800	–
IPRU42▲	1958	–	–	2000	–
IPRU11/800▲	536	–	–	600	800
IPRU15/800▲	758	–	–	800	–
IPRU24/800▲	1158	–	–	1200	–
IPRU32/800▲	1469	–	–	1600	–
IPRU38/800▲	1736	–	–	1800	–
IPRU42/800▲	1958	–	–	2000	–

▲ Available on request



IPRU

Laptop Lecterns

Designed to allow fast and easy access when using a laptop computer. The laptop lectern protrudes 45mm inside the door. Mounting requires door rails (purchased separately).

Part Number	Description	Dimensions (mm)		To suit door (mm)	
		Width	Depth	Height	Width
IPLL▲	Laptop lectern	440	300	600 & above	600 & above
IPRD6▲	Door rails (set of 2)	–	–	–	600
IPRD8▲		–	–	–	800

▲ Available on request



IPLL

Monarch IP

Accessories to suit all Monarch IP enclosures



Document Holders

Designed to standard A4 documents such as procedures and diagrams to ensure that they are kept clean and conveniently located.

Part Number	Description	To suit enclosure width (mm)
IPPLN	A4 Plastic	all
IPPLN04/35	A4 Metal	400 & above
IPPLN04/80▲	A4 Metal – Folder	400 & above
IPPLN06/15	A3	600 & above
IPPLN06/35▲	A3 Metal	600 & above
IPPLN06/80▲	A3 Metal – Folder	600 & above

▲ Available on request.



IPPLN

Schedule Holders

Used to ensure maintenance schedules are always displayed prominently.

Part Number	Description	Mounting	Colour	Dimensions (mm)			To suit enclosure (mm)	
				Height	Width	Depth	Height	Width
IPLC150▲	150 line	Door rail	Pebble Grey RAL7032	255	210	–	400	300
IPLC40▲	40 line			230	110	–	300	200
LCH40	40 line	Tape or rivets	Light Grey RAL7035	230	110	8	300	200
LCH60	60 line			260	210	8	400	300
LCH78▲	78 line			380	110	8	500	200

▲ Available on request



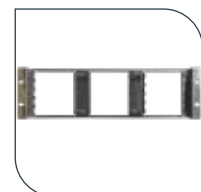
IPLC

Backmount Frame

Part Number	Description	Height (RU)
FCCD15/19*▲	15-Way, 19 inch	3

▲ Available on request

* 19 inch mounting rails required refer to page 88.



FCCD15/19

Load Centre

Part Number	Description	Height (RU)
FCLC19/19*	19-pole, 19 inch	5

* 19 inch mounting rails required refer to page 88.



FCLC19/19

Monarch IP

Accessories to suit all Monarch IP enclosures

General Accessories

A range of general accessories to suit all Monarch IP enclosures.

Part Number	Product	Description
IPNLK [▲]	Night latch kit bracket	To enable Lockwood deadbolt to be fitted
IPP06 [▲]		M6
IPP10 [▲]	Hole plug (pack of 20)	M10
IPP13 [▲]		M13
IPBO612		M6 x 12mm
IPBO625		M6 x 25mm
IPBO812	Bolt – hex head (pack of 20)	M8 x 12mm
IPBO825		M8 x25mm
IPBO830 [▲]		M8 x 30mm
IPBO840/D [▲]	Accessory kit seal screw (pack of 10)	M8 x 40
IPN06 [▲]	Hex head nuts (pack of 20)	M6
IPN08 [▲]		M8
IPCG06	Cage Nuts (pack of 20)	M6
IPCG08		M8
IPCN06	Foam back nuts (pack of 20)	M6
IPCN08		M8
IPTO616 [▲]	Screws – taptite (pack of 20)	M6 x 16mm
IPTPO616/S [▲]	Tamper proof screws with security bit	M6 x 16mm (pack of 10)
IPWF06 [▲]	Flat washers (pack of 20)	M6
IPWF08 [▲]		M8
IPWG06	Seal washers (pack of 20)	Small
IPWS06 [▲]	Star washers (pack of 20)	M6
IPWS08		M8
IPWSP06	Spring washers (pack of 20)	M6
IPWSP08		M8
IPOR06 [▲]	Sealing ring (pack of 20)	M6
IPCDH [▲]	D handle	Chrome
ECESK [▲]	Earth strap kit	–
IPZRLG [▲]	Z Rail	760mm
TUP/P20	Touch Up Paint (300g)	Pebble Grey RAL7032
TUP/P29		Light Grey RAL7035

[▲] Available on request

Locks

Locks to suit Monarch IP enclosures



Standard Locks

Enclosure	Zinc Coated Steel	Stainless Steel	Aluminium
≤1600mm	IP020 – chromed steel lock with 7mm square steel insert	IP020/S – black powdercoated lock with 7mm square stainless steel insert	IP020/PS – chromed steel lock with 7mm square steel insert
+1600mm	IP050 – lockable L handle keyed 92268	IP050 – lockable L handle keyed 92268	IP050 – lockable L handle keyed 92268

Lock Options for Monarch IP Enclosures

There are a number of lock options available that are suitable for use on Monarch IP enclosures. Contact your local sales representative to discuss your requirements.

Product	Description	Part Number	Standard Lock/Insert	Alternative insert	Keys	
					Lockable handles	Zinc, 4-way
Turnbuckle	chromed steel	IP020	7mm square – steel	See below		SKZ
	powdercoated	IP020/PS	7mm square – stainless steel	See below		SKZ
	stainless steel	IP020/S	7mm square – stainless steel	See below		SKZ
		IP028S/S	8mm square slotted – stainless steel	See below		
Wing knob	lockable	IP030	Key code 92268		SK3	
	lockable	IP030/CL001	Key code CL001			
	lockable	IP030/L003	Key code L003			
	padlockable	IP032	Suit 8mm hasp			
	padlockable - stainless steel	IP032/S	Suit 8mm hasp			
	non-lockable	IP111	–			
T-handle	lockable	IP040	Key code 92268		SK3	
L-handle	lockable	IP050	Key code 92268		SK3	
	lockable – stainless steel	IP050/S	Key code 92268		SK3	
	padlockable – steel	IP052	–			
	padlockable – stainless steel	IP052/S	–			
Swing handle	padlockable – steel	IP060	Suitable for up to 9mm diameter padlock shackle.			
	padlockable – stainless steel	IP060/S				



Lock Inserts for IP020 Locks

The IP020 locks are available with an option lock insert for use on all Monarch IP enclosures. Contact your local sales engineer to discuss your requirements.

To suit lock style	Description	To suit lock	Standard Insert	3mm double bit pin		8mm square		8mm square slotted		8mm triangle	
				Steel	Stainless Steel	Steel	Stainless Steel	Stainless Steel	Steel	Stainless Steel	
Turnbuckle	chromed steel	IP020	7mm square – steel	LKINS3P		LKINS8S		LKINS8SS/S		LKINS8T	
	powdercoated with SS insert	IP020/PS	7mm square – stainless steel		LKINS3P/S		LKINS8S/S	LKINS8SS/S			LKINS8T/S
	stainless steel	IP020/S	7mm square – stainless steel		LKINS3P/S		LKINS8S/S	LKINS8SS/S			LKINS8T/S
Key required – zinc			SKZ	SKZ	SKZ	SKZ	SKZ	SKZ	SKZ	SKZ	SKZ

Universal NI – Zinc Coated Steel

General Purpose Enclosures



- Built for industrial and demanding environments.
- Threaded sockets on the rear of the enclosure to allow mounting feet attachment without compromising the IP rating.
- 120° door opening for ease of access to internal systems.
- Conformity, Approvals:
 - CE Mark
 - Lloyds Register #06/10007 (E2)
- Region D wind rated to AS1170.2-2002: Structural design actions - Wind actions
- Manufactured from 1.2/1.6mm thick zinc coated steel.
- Powdercoated Pebble Grey RAL7032 or X15 Orange.

Comes standard with:

- 2mm steel mounting pan powdercoated white
- Gland plate (200mm deep and above)
- Chromed steel lock with 7mm square steel insert (NI020)
- Door rails
- Earth strap kit



ORDERING GUIDE

Part Number		Dimensions (mm)								No. of Fixing Points (Suits M8 fixings)	Material Thickness (mm)	Weight (kg)
		External			Internal	Mounting Pan		Gland Opening				
Standard	X15 Orange	Height (A)	Width (B)	Depth (C)	Usable Depth (D)*	Height (E)	Width (F)	Width (G)	Depth (H)			
NI03021	NI03021/RO	300	200	150	125	250	150	–	–	4	1.2	3.9
NI03031	NI03031/RO	300	300	150	125	250	250	–	–	4	1.2	5.0
NI03041	NI03041/RO	300	400	150	125	250	350	–	–	4	1.2	6.5
NI04032■	NI04032/RO■	400	300	200	175	350	250	250	120	4	1.6	8.0
NI03042	NI03042/RO	300	400	200	175	250	350	250	120	4	1.6	7.5
NI04042■	NI04042/RO■	400	400	200	175	350	350	250	120	4	1.6	12.0
NI05042■	NI05042/RO■	500	400	200	175	450	350	250	120	4	1.6	14.0
NI06042■	NI06042/RO■	600	400	200	175	550	350	250	120	4	1.6	17.0
NI05052■	NI05052/RO■	500	500	200	175	450	450	440	120	4	1.6	17.0
NI04062■	NI04062/RO■^	400	600	200	175	350	550	440	120	4	1.6	16.0
NI06062■	NI06062/RO■	600	600	200	175	550	550	440	120	4	1.6	23.0
NI08062■	NI08062/RO■	800	600	200	175	750	550	440	120	6	1.6	30.0
NI10062■	NI10062/RO■^	1000	600	200	175	950	550	440	120	6	1.6	37.0
NI04043■	NI04043/RO■	400	400	300	275	350	350	250	120	4	1.6	14.0
NI06043■	NI06043/RO■	600	400	300	275	550	350	250	120	4	1.6	20.0
NI04063■	NI04063/RO■^	400	600	300	275	350	550	440	120	4	1.6	19.0
NI06063■	NI06063/RO■	600	600	300	275	550	550	440	120	4	1.6	27.0
NI08063■	NI08063/RO■	800	600	300	275	750	550	440	120	6	1.6	34.0
NI10063■	NI10063/RO■	1000	600	300	275	950	550	440	120	6	1.6	41.0
NI08083^	NI08083/RO^^	800	800	300	275	750	750	440	120	6	1.6	43.0
NI10083^	NI10083/RO^^	1000	800	300	275	950	750	440	120	6	1.6	52.0
NI12083^	NI12083/RO^^	1200	800	300	275	1150	750	440	120	6	1.6	61.0

* Mounting pan to inside of door

■ Includes vertical door rails

^ Includes horizontal and vertical door rails

▲ Available on request

Universal NI – Zinc Coated Steel

General Purpose Enclosures

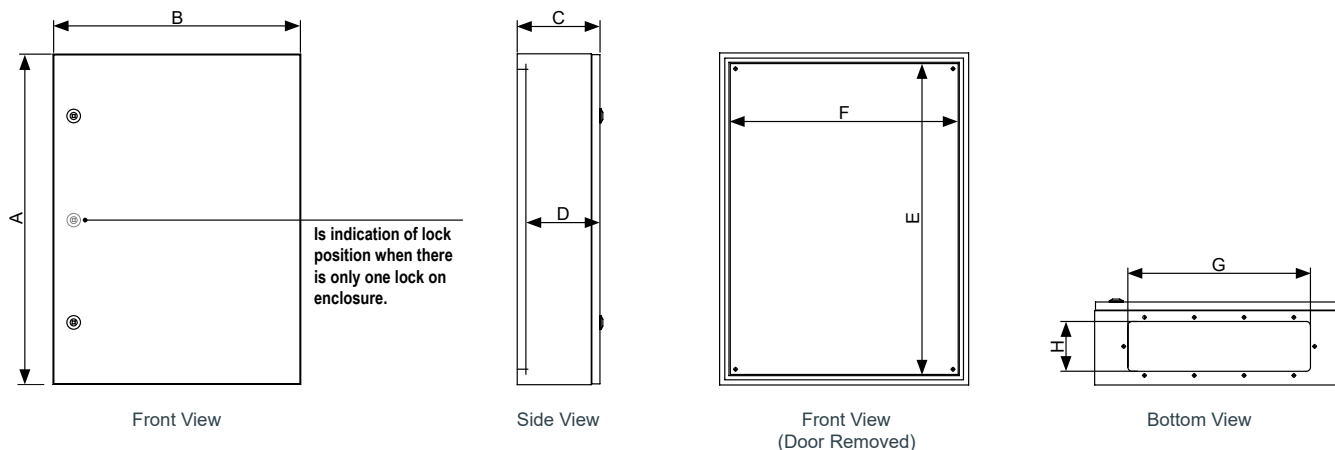


ACCESSORIES

Product	Description	Part Number	Dimensions (mm)																								
			Height	Width	Depth	N103021 (RO)	N103031 (RO)	N103041 (RO)	N104032 (RO)	N103042 (RO)	N104042 (RO)	N105042 (RO)	N106042 (RO)	N105052 (RO)	N104062 (RO)	N106062 (RO)	N108062 (RO)	N110062 (RO)	N104043 (RO)	N106043 (RO)	N104063 (RO)	N106063 (RO)	N108063 (RO)	N108083 (RO)	N110083 (RO)	N112083 (RO)	
Rainhoods	Zinc coated steel	NIRH021	30	175.6	65	*																					
		NIRH031^	30	275.6	65	*																					
		NIRH032^	30	275.6	105		*																				
		NIRH041^	30	375.6	65		*																				
		NIRH042	30	375.6	105			*																			
		NIRH043	30	375.6	220				*										*	*							
		NIRH052^	30	475.6	105										*												
		NIRH062^	30	575.6	105										*	*	*	*									
		NIRH063	30	575.6	220										*	*	*	*		*	*	*	*				
		NIRH082^	30	775.6	105										*												
NIRH083^	30	775.6	220										*	*	*	*		*	*	*	*		*	*	*		
External vent kits – Zinc coated steel	Pebble Grey RAL7032	IPVK	130	130	-	*	*	*	*	*	*	*	*	*	*	*	*	*	*	*	*	*	*	*	*	*	
		IPVK16	260	260	-	*	*	*	*	*	*	*	*	*	*	*	*	*	*	*	*	*	*	*	*	*	
	X15 Orange	IPVK/RO	130	130	-	*	*	*	*	*	*	*	*	*	*	*	*	*	*	*	*	*	*	*	*	*	
		IPVK16/RO^	260	260	-	*	*	*	*	*	*	*	*	*	*	*	*	*	*	*	*	*	*	*	*	*	
Wall mounting brackets – 316 stainless steel	Set of 4	MEB/S	-	-	-	*	*	*	*	*	*	*	*	*	*	*	*	*	*	*	*	*	*	*	*		
Mounting flange kit – 316 stainless steel		MF2/S^	75	200	-	*																					
		MF3/S	75	300	-	*	*	*	*																		
		MF4/S	75	400	-	*	*	*	*	*	*	*															
		MF5/S^	75	500	-	*	*	*	*	*	*	*	*														
		MF6/S^	75	600	-	*	*	*	*	*	*	*	*	*	*	*	*	*	*	*	*	*	*	*	*	*	
		MF8/S^	75	800	-	*	*	*	*	*	*	*	*	*	*	*	*	*	*	*	*	*	*	*	*	*	
Mounting Pan -		NIMP0302	250	150	-	*																					
		NIMP0303	250	250	-	*	*	*	*																		
		NIMP0403	350	250	-	*	*	*	*	*	*	*															
		NIMP0304	250	350	-	*	*	*	*	*	*	*															
		NIMP0404	350	350	-	*	*	*	*	*	*	*	*	*	*	*	*	*	*	*	*	*	*	*	*	*	
		NIMP0504	450	350	-	*	*	*	*	*	*	*	*	*	*	*	*	*	*	*	*	*	*	*	*	*	
		NIMP0604	550	350	-	*	*	*	*	*	*	*	*	*	*	*	*	*	*	*	*	*	*	*	*	*	
		NIMP0505	450	450	-	*	*	*	*	*	*	*	*	*	*	*	*	*	*	*	*	*	*	*	*	*	
		NIMP0406	350	550	-	*	*	*	*	*	*	*	*	*	*	*	*	*	*	*	*	*	*	*	*	*	
		NIMP0606	550	550	-	*	*	*	*	*	*	*	*	*	*	*	*	*	*	*	*	*	*	*	*	*	
		NIMP0806	750	550	-	*	*	*	*	*	*	*	*	*	*	*	*	*	*	*	*	*	*	*	*	*	
		NIMP1006	950	550	-	*	*	*	*	*	*	*	*	*	*	*	*	*	*	*	*	*	*	*	*	*	
		NIMP0808	750	750	-	*	*	*	*	*	*	*	*	*	*	*	*	*	*	*	*	*	*	*	*	*	
	NIMP1008	950	750	-	*	*	*	*	*	*	*	*	*	*	*	*	*	*	*	*	*	*	*	*	*		
	NIMP1208	1150	750	-	*	*	*	*	*	*	*	*	*	*	*	*	*	*	*	*	*	*	*	*	*		
Gland plates	6mm aluminium	SRAGP6/2	290	160	-	*	*	*	*	*	*	*	*	*	*	*	*	*	*	*	*	*	*	*	*		
		SRAGP6/3	480	160	-	*	*	*	*	*	*	*	*	*	*	*	*	*	*	*	*	*	*	*	*		
	3mm brass	SRBGP3/2	290	160	-	*	*	*	*	*	*	*	*	*	*	*	*	*	*	*	*	*	*	*	*		
		SRBGP3/3	480	160	-	*	*	*	*	*	*	*	*	*	*	*	*	*	*	*	*	*	*	*	*		
6mm brass	SRBGP6/2	290	160	-	*	*	*	*	*	*	*	*	*	*	*	*	*	*	*	*	*	*	*	*	*		
	SRBGP6/3	480	160	-	*	*	*	*	*	*	*	*	*	*	*	*	*	*	*	*	*	*	*	*	*		
Replacement Hinge	Kit	NI/H	-	-	-	*	*	*	*	*	*	*	*	*	*	*	*	*	*	*	*	*	*	*			
Touch Up Paint (300g)	Pebble Grey RAL7032	TUP/P20	-	-	-	*	*	*	*	*	*	*	*	*	*	*	*	*	*	*	*	*	*	*	*		
	X15 Orange	TUP/P24	-	-	-	*	*	*	*	*	*	*	*	*	*	*	*	*	*	*	*	*	*	*	*		

^ Fits door only
 ▲ Available on request

TECHNICAL DRAWINGS



Universal NI Viewing Window– Zinc Coated Steel

General Purpose Enclosures



- Built for industrial and demanding environments.
- Threaded sockets on the rear of the enclosure to allow mounting feet attachment without compromising the IP rating.
- 120° door opening for ease of access to internal systems.
- Conformity, Approvals:
 - CE Mark
 - Lloyds Register #06/10007 (E2)
- Region D wind rated to AS1170.2-2002: Structural design actions - Wind actions
- Manufactured from 1.6mm thick zinc coated steel.
- Powdercoated Pebble Grey RAL7032 or X15 Orange.

Comes standard with:

- 2mm steel mounting pan powdercoated white
- Gland plate (200mm deep and above)
- Chromed steel lock with 7mm square steel insert (NI020)
- Door rails
- Earth strap kit
- Glass Viewing Window - 5.4mm thickness



ORDERING GUIDE

Part Number		Dimensions (mm)							
		External			Internal	Mounting Pan		Viewing Window	
Standard	X15 Orange	Height (A)	Width (B)	Depth (C)	Usable Depth (D)*	Height (E)	Width (F)	Height (G)	Width (H)
NI04042/WG■▲	NI04042/RO/WG■▲	400	400	200	175	350	350	185	185
NI05042/WG■▲	NI05042/RO/WG■▲	500	400	200	175	450	350	278	185
NI06042/WG■▲	NI06042/RO/WG■▲	600	400	200	175	550	350	378	185
NI05052/WG■▲	NI05052/RO/WG■▲	500	500	200	175	450	450	278	273
NI04062/WG■▲	NI04062/RO/WG■▲	400	600	200	175	350	550	185	373
NI06062/WG■▲	NI06062/RO/WG■▲	600	600	200	175	550	550	378	373
NI08062/WG■▲	NI08062/RO/WG■▲	800	600	200	175	750	550	578	373
NI10062/WG■▲	NI10062/RO/WG■▲	1000	600	200	175	950	550	778	373
NI04043/WG■▲	NI04043/RO/WG■▲	400	400	300	275	350	350	185	185
NI06043/WG■▲	NI06043/RO/WG■▲	600	400	300	275	550	350	378	185
NI04063/WG■▲	NI04063/RO/WG■▲	400	600	300	275	350	550	185	373
NI06063/WG■▲	NI06063/RO/WG■▲	600	600	300	275	550	550	378	373
NI08063/WG■▲	NI08063/RO/WG■▲	800	600	300	275	750	550	578	373
NI10063/WG■▲	NI10063/RO/WG■▲	1000	600	300	275	950	550	778	373
NI08083/WG^▲	NI08083/RO/WG^▲	800	800	300	275	750	750	578	573
NI10083/WG^▲	NI10083/RO/WG^▲	1000	800	300	275	950	750	778	573
NI12083/WG^▲	NI12083/RO/WG^▲	1200	800	300	275	1150	750	978	573

- * Mounting pan to inside of door
- Includes vertical door rails
- ▲ Includes horizontal and vertical door rails
- ▲ Available on request

Images show the window shape on the smallest size enclosures. Window corner radius is 100mm on all sizes of enclosures.



Universal NI Viewing Window – Zinc Coated Steel

General Purpose Enclosures



ACCESSORIES

Product	Description	Part Number	Dimensions (mm)			NI03021/WG (RO)	NI03031/WG (RO)	NI03041/WG (RO)	NI04032/WG (RO)	NI03042/WG (RO)	NI04042/WG (RO)	NI05042/WG (RO)	NI05052/WG (RO)	NI04062/WG (RO)	NI06062/WG (RO)	NI08062/WG (RO)	NI10062/WG (RO)	NI04043/WG (RO)	NI06043/WG (RO)	NI04063/WG (RO)	NI08063/WG (RO)	NI10063/WG (RO)	NI08083/WG (RO)	NI10083/WG (RO)	NI12083/WG (RO)
			Height	Width	Depth																				
Rainhoods	Zinc coated steel	NIRH021	30	175.6	65	.																			
		NIRH031^	30	275.6	65	.																			
		NIRH032^	30	275.6	105		.																		
		NIRH041^	30	375.6	65	.																			
		NIRH042	30	375.6	105			.																	
		NIRH043	30	375.6	220				.										.		.				
		NIRH052^	30	475.6	105									.											
		NIRH062^	30	575.6	105																
		NIRH063	30	575.6	220																
		NIRH082^	30	775.6	105																				.
		NIRH083^	30	775.6	220																				.
External vent kits – Zinc coated steel	Pebble Grey RAL7032	IPVK	130	130	–	
		IPVK16	260	260	–	
	X15 Orange	IPVK/RO	130	130	–	
		IPVK16/RO^	260	260	–	
Wall mounting bracket s – 316 stainless steel	Set of 4	MEB/S	–	–	–		
Mounting flange kit – 316 stainless steel	MF2/S^	75	200	–	.																				
	MF3/S	75	300	–	.	.																			
	MF4/S	75	400	–	.	.	.																		
	MF5/S^	75	500	–													
	MF6/S^	75	600	–								
	MF8/S^	75	800	–		
Mounting Pan -	NIMP0302	250	150	–	.																				
	NIMP0303	250	250	–	.	.																			
	NIMP0403	350	250	–	.		.																		
	NIMP0304	250	350	–	.	.	.																		
	NIMP0404	350	350	–							
	NIMP0504	450	350	–																
	NIMP0604	550	350	–												
	NIMP0505	450	450	–													
	NIMP0406	350	550	–												
	NIMP0606	550	550	–											
	NIMP0806	750	550	–										
	NIMP1006	950	550	–										
	NIMP0808	750	750	–										
NIMP1008	950	750	–			
NIMP1208	1150	750	–			
Gland plates	6mm aluminium	SRAGP6/2	290	160	–		
		SRAGP6/3	480	160	–		
	3mm brass	SRBGP3/2	290	160	–	
		SRBGP3/3	480	160	–	
	6mm brass	SRBGP6/2	290	160	–	
		SRBGP6/3	480	160	–	
Replacement Hinge	Kit	NI/H	–	–	–		
Touch Up Paint (300g)	Pebble Grey RAL7032	TUP/P20	–	–	–		
	X15 Orange	TUP/P24	–	–	–		

^ Fits door only
 ^ Available on request

Universal NI – 316 Stainless Steel

General Purpose Enclosures



- Built for industrial and demanding environments.
- Threaded sockets on the rear of the enclosure to allow mounting feet attached without compromising the IP rating.
- 120° door opening for ease of access to internal systems.
- Conformity, Approvals:
 - CE Mark
 - Lloyds Register #06/10007 (E2)
- Region D wind rated to AS1170.2-2002: Structural design actions - Wind actions
- Manufactured from 1.2/1.5mm thick 316 stainless steel.
- N4 surface finish or Powdercoated X15 Orange.

Comes standard with:

- 2mm steel mounting pan powdercoated white
- Stainless steel lock with 7mm square stainless steel insert (NI020/S)
- Door rails
- Earth strap kit



ORDERING GUIDE

Part Number		Dimensions (mm)						No. of Fixing Points (Suits M8 fixings)	Material Thickness (mm)	Weight (kg)	No. of Locks
		External		Internal		Mounting Pan					
316 SS (N4)	X15 Orange	Height (A)	Width (B)	Depth (C)	Usable Depth (D)*	Height (E)	Width (F)				
NI03021/S	NI03021/SRO	300	200	150	125	250	150	4	1.2	3.9	1
NI03031/S	NI03031/SRO	300	300	150	125	250	250	4	1.2	5.3	1
NI03041/S	NI03041/SRO^	300	400	150	125	250	350	4	1.2	6.8	1
NI04031/S	NI04031/SRO^	400	300	150	125	350	250	4	1.2	6.7	1
NI04032/S■	NI04032/SRO■	400	300	200	175	350	250	4	1.2	9.0	1
NI03042/S	NI03042/SRO^	300	400	200	175	250	350	4	1.5	9.0	1
NI04042/S■	NI04042/SRO■	400	400	200	175	350	350	4	1.5	11.0	1
NI05042/S■	NI05042/SRO■▲	500	400	200	175	450	350	4	1.5	14.0	1
NI06042/S■	NI06042/SRO■	600	400	200	175	550	350	4	1.5	16.0	2
NI05052/S■	NI05052/SRO■	500	500	200	175	450	450	4	1.5	16.0	1
NI04062/S■	NI04062/SRO■▲	400	600	200	175	350	550	4	1.5	16.0	1
NI06062/S■	NI06062/SRO■	600	600	200	175	550	550	4	1.5	22.0	2
NI08062/S■	NI08062/SRO■▲	800	600	200	175	750	550	6	1.5	29.0	2
NI10062/S■	NI10062/SRO■▲	1000	600	200	175	950	550	6	1.5	28.0	2
NI10082/S■	NI10082/SRO■▲	1000	800	200	175	950	750	4	1.5	45.0	2
NI04043/S■	NI04043/SRO■▲	400	400	300	275	350	350	4	1.5	19.0	1
NI06043/S■	NI06043/SRO■▲	600	400	300	275	550	350	4	1.5	19.0	2
NI04063/S■	NI04063/SRO■▲	400	600	300	275	350	550	4	1.5	19.0	1
NI06063/S■	NI06063/SRO■	600	600	300	275	550	550	4	1.5	25.0	2
NI08063/S■	NI08063/SRO■▲	800	600	300	275	750	550	6	1.5	32.0	2
NI10063/S■	NI10063/SRO■▲	1000	600	300	275	950	550	6	1.5	39.0	2
NI08083/S^	NI08083/SRO^^	800	800	300	275	750	750	6	1.5	41.0	2
NI10083/S^	NI10083/SRO^^	1000	800	300	275	950	750	6	1.5	49.0	2
NI12083/S^	NI12083/SRO^^	1200	800	300	275	1150	750	8	1.5	58.0	2

- * Mounting pan to inside of door
- Includes vertical door rails
- ^ Includes horizontal and vertical door rails
- ▲ Available on request

Universal NI Viewing Window – 316 Stainless Steel

General Purpose Enclosures



- Built for industrial and demanding environments.
- Threaded sockets on the rear of the enclosure to allow mounting feet attached without compromising the IP rating.
- 120° door opening for ease of access to internal systems.
- Conformity, Approvals:
 - CE Mark
 - Lloyds Register #06/10007 (E2)
- Region D wind rated to AS1170.2-2002: Structural design actions - Wind actions
- Manufactured from 1.5mm thick 316 stainless steel.
- N4 surface finish or powdercoated X15 orange.

Comes standard with:

- 2mm steel mounting pan powdercoated white
- Stainless steel lock with 7mm square stainless steel insert (NI020/S)
- Door rails
- Earth strap kit
- Glass Viewing Window - 5.4mm thickness



ORDERING GUIDE

Dimensions (mm)

Part Number		External			Internal	Mounting Pan		Viewing Window	
Standard	X15 Orange	Height (A)	Width (B)	Depth (C)	Usable Depth (D)*	Height (E)	Width (F)	Height	Width
NI04042/S/WG■▲	NI04042/SRO/WG■▲	400	400	200	175	350	350	185	185
NI05042/S/WG■▲	NI05042/SRO/WG■▲	500	400	200	175	450	350	278	185
NI06042/S/WG■▲	NI06042/SRO/WG■▲	600	400	200	175	550	350	378	185
NI05052/S/WG■▲	NI05052/SRO/WG■▲	500	500	200	175	450	450	278	273
NI04062/S/WG■▲	NI04062/SRO/WG■▲	400	600	200	175	350	550	185	373
NI06062/S/WG■▲	NI06062/SRO/WG■▲	600	600	200	175	550	550	378	373
NI08062/S/WG■▲	NI08062/SRO/WG■▲	800	600	200	175	750	550	578	373
NI10062/S/WG■▲	NI10062/SRO/WG■▲	1000	600	200	175	950	550	778	373
NI10082/S/WG■▲	NI10082/SRO/WG■▲	1000	800	200	175	950	750	778	573
NI04043/S/WG■▲	NI04043/SRO/WG■▲	400	400	300	275	350	350	185	185
NI06043/S/WG■▲	NI06043/SRO/WG■▲	600	400	300	275	550	350	378	185
NI04063/S/WG■▲	NI04063/SRO/WG■▲	400	600	300	275	350	550	185	373
NI06063/S/WG■▲	NI06063/SRO/WG■▲	600	600	300	275	550	550	378	373
NI08063/S/WG■▲	NI08063/SRO/WG■▲	800	600	300	275	750	550	578	373
NI10063/S/WG■▲	NI10063/SRO/WG■▲	1000	600	300	275	950	550	778	373
NI08083/S/WG▲▲	NI08083/SRO/WG▲▲	800	800	300	275	750	750	578	573
NI10083/S/WG▲▲	NI10083/SRO/WG▲▲	1000	800	300	275	950	750	778	573
NI12083/S/WG▲▲	NI12083/SRO/WG▲▲	1200	800	300	275	1150	750	978	573

* Mounting pan to inside of door

■ Includes vertical door rails

▲ Includes horizontal and vertical door rails

▲ Available on request

Images show the window shape on the smallest size enclosures. Window corner radius is 100mm on all sizes of enclosures.



Universal NI Viewing Window – 316 Stainless Steel

General Purpose Enclosures



ACCESSORIES

Product	Description	Part Number	Dimensions (mm)																								
			Height	Width	Depth	N103021/SWG (SRO)	N103031/SWG (SRO)	N103041/SWG (SRO)	N104031/SWG (SRO)	N104032/SWG (SRO)	N104042/SWG (SRO)	N105042/SWG (SRO)	N106042/SWG (SRO)	N106052/SWG (SRO)	N106062/SWG (SRO)	N108062/SWG (SRO)	N110062/SWG (SRO)	N110082/SWG (SRO)	N104043/SWG (SRO)	N106043/SWG (SRO)	N106063/SWG (SRO)	N108063/SWG (SRO)	N110063/SWG (SRO)	N108083/SWG (SRO)	N112083/SWG (SRO)		
Rainhoods	316 stainless steel	NIRH021/S (SRO) [▲]	30	175.6	65	•																					
		NIRH031/S (SRO) [▲]	30	275.6	65		•																				
		NIRH032/S (SRO) [▲]	30	275.6	105			•																			
		NIRH041/S [▲] (SRO) [▲]	30	375.6	65			•																			
		NIRH042/S (SRO) [▲]	30	375.6	105				•	•	•	•															
		NIRH043/S (SRO) [▲]	30	375.6	220																•	•					
		NIRH052/S (SRO) [▲]	30	475.6	105																	•					
		NIRH062/S (SRO) [▲]	30	575.6	105																	•	•	•	•		
		NIRH063/S (SRO) [▲]	30	575.6	220																		•	•	•	•	
		NIRH082/S [▲] (SRO) [▲]	30	775.6	105																		•				
NIRH083/S (SRO) [▲]	30	775.6	220																					•	•	•	
External vent kits	316 stainless steel	IPVK/S	130	130	–	^	^	^	•	•	•	•	•	•	•	•	•	•	•	•	•	•	•	•	•	•	
		IPVK/SRO [▲]	130	130	–	^	^	^	•	•	•	•	•	•	•	•	•	•	•	•	•	•	•	•	•	•	
		IPVK16/S [▲]	260	260	–	^	^	^	•	•	•	•	•	•	•	•	•	•	•	•	•	•	•	•	•	•	•
		IPVK16/SRO [▲]	260	260	–	^	^	^	•	•	•	•	•	•	•	•	•	•	•	•	•	•	•	•	•	•	•
Wall mounting brackets – Set of 4	316 stainless steel	MEB/S	–	–	–	•	•	•	•	•	•	•	•	•	•	•	•	•	•	•	•	•	•	•	•		
Mounting flange kits	316 stainless steel	MF2/S [▲]	75	200	–	•																					
		MF3/S	75	300	–		•	•	•																		
		MF4/S	75	400	–			•		•	•	•										•	•				
		MF5/S [▲]	75	500	–																						
		MF6/S [▲]	75	600	–																	•	•	•	•		
		MF8/S [▲]	75	800	–																		•			•	•
Mounting Pan		NIMP0302	250	150	–	•																					
		NIMP0303	250	250	–		•																				
		NIMP0403	350	250	–			•	•																		
		NIMP0304	250	350	–			•		•																	
		NIMP0404	350	350	–						•																
		NIMP0504	450	350	–							•															
		NIMP0604	550	350	–								•														
		NIMP0505	450	450	–									•													
		NIMP0406	350	550	–										•												
		NIMP0606	550	550	–											•											
		NIMP0806	750	550	–												•										
		NIMP1006	950	550	–													•									
		NIMP0808	750	750	–																					•	
		NIMP1008	950	750	–																					•	
NIMP1208	1150	750	–																					•			
Replacement Hinge	Kit	NI/H	–	–	–	•	•	•	•	•	•	•	•	•	•	•	•	•	•	•	•	•	•	•	•		

^ Fits door only
 ▲ Available on request

Universal DD – Zinc Coated Steel

Double Door Enclosures



- Suitable for industrial or demanding conditions.
- No centre mullion — extremely easy to access all equipment mounted on the included mounting pan.
- 180° opening doors.
- Conformity, Approvals:
Lloyds Register #06/10007 (E2)
- Manufactured from 1.6mm thick zinc coated steel.
- Powdercoated Pebble Grey RAL7032.

Comes standard with:

- 2mm steel mounting pan powdercoated white
- Gland plates fitted internally or externally – dual on 1200mm wide
- Door rails
- Chromed steel lock with 7mm square steel insert (DD020) on units below 1600mm high
- Lockable L handle keyed to 92268 (DD050) on units 1600mm and above
- Earth strap kit



ORDERING GUIDE

Part Number	Dimensions (mm)								No. of Gland Plates	Weight (kg)
	External		Internal	Mounting Pan		Opening				
	Height (A)	Width (B)	Depth (C)	Usable Depth* (D)	Height (E)	Width (F)	Height (G)	Width (H)		
DD10103 [▲]	1000	1000	300	250	940	915	940	920	1	67.0
DD12103	1200	1000	300	250	1140	915	1140	920	1	78.0
DD16104 [▲]	1600	1000	400	350	1540	915	1540	920	1	108.0
DD18104	1800	1000	400	350	1740	915	1740	920	1	119.0
DD20104 [▲]	2000	1000	400	350	1940	915	1940	920	1	131.0
DD12124	1200	1200	400	350	1140	1115	1140	1120	2	98.0
DD16124	1600	1200	400	350	1540	1115	1540	1120	2	125.0
DD18124	1800	1200	400	350	1740	1115	1740	1120	2	138.0
DD20124	2000	1200	400	350	1940	1115	1940	1120	2	152.0
DD18125 [▲]	1800	1200	500	450	1740	1115	1740	1120	2	147.0
DD20125	2000	1200	500	450	1940	1115	1940	1120	2	161.0

* Mounting pan to inside of door

[▲] Available on request



See **Pages 50-51** for more information about B&R's range of lighting solutions or contact your local sales representative to discuss your requirements.

Universal DD – Zinc Coated Steel

Double Door Enclosures

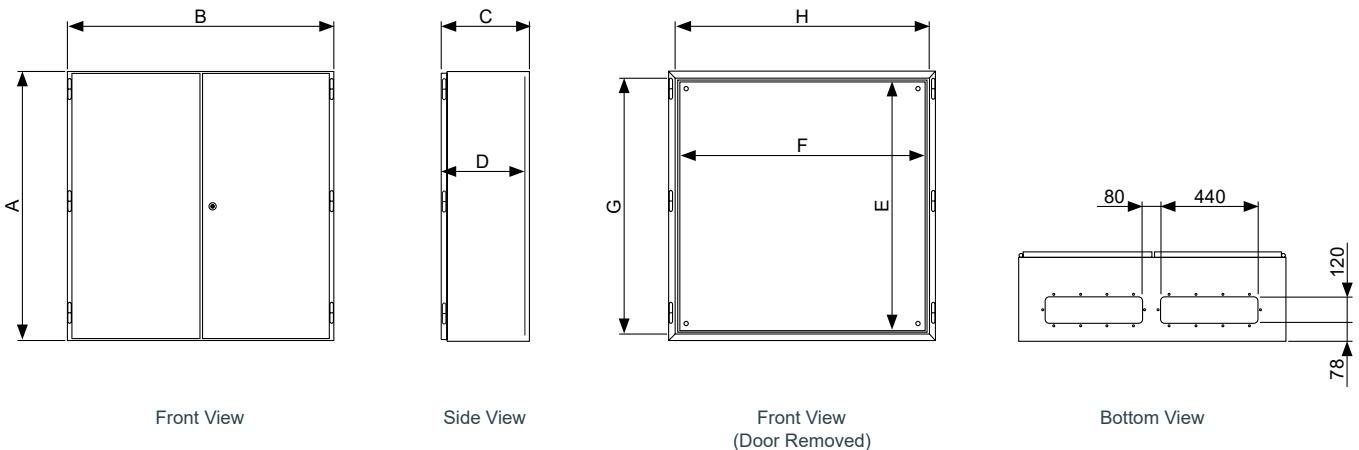


ACCESSORIES

Product	Description	Part Number	Dimensions (mm)			DD10103	DD12103	DD16104	DD18104	DD20104	DD12124	DD16124	DD18124	DD20124	DD18125	DD20125
			Height	Width	Depth											
Rainhoods	Zinc coated steel	DDRH103 [▲]	30	–	–	•	•									
		DDRH104 [▲]	30	–	–			•	•	•						
		DDRH124 [▲]	30	–	–						•	•	•	•		
		DDRH125 [▲]	30	–	–										•	•
Channel iron plinths	Galvanised steel	DDCIP103 [▲]	75	1000	255	•	•									
		DDCIP104 [▲]	75	1000	355			•	•	•						
		DDCIP124	75	1200	355						•	•	•	•		
		DDCIP125 [▲]	75	1200	455										•	•
Plinth mounting bases	Galvanised steel	DDPB011003 [▲]	100	1000	255	•	•									
		DDPB011004	100	1000	355			•	•	•						
		DDPB011204 [▲]	100	1200	355						•	•	•	•		
		DDPB011205 [▲]	100	1200	455										•	•
Neoprene gasket	3mm x 20mm, 4m long	IPPC/G	–	–	–	•	•	•	•	•	•	•	•	•	•	•
External vent kit (Pebble Grey RAL7032)	Zinc coated steel	IPVK	130	130	–	•	•	•	•	•	•	•	•	•	•	•
		IPVK16	260	260	–	•	•	•	•	•	•	•	•	•	•	•
Gland plate – split	2mm zinc coated steel	DDSGP [▲]	490	112	–	•	•	•	•	•	•	•	•	•	•	•
Eye bolt	125kg per bolt (2)	LEB/12	–	–	–	•	•	•	•	•	•	•	•	•	•	•
LED light kit (500mm wide) – includes power supply & switch	12V	BRLED500	–	500	–	•	•	•	•	•	•	•	•	•	•	•
	24V	BRLED500/24	–	500	–	•	•	•	•	•	•	•	•	•	•	•
Light kit bracket	To suit LED light kit	DDLKB10 [▲]	–	1000	–	•	•	•	•	•	•	•	•	•	•	•
		DDLKB12 [▲]	–	1000	–	•	•	•	•	•	•	•	•	•	•	•
Fluoro light kit (240V)	1000mm wide	DDLTK10 [▲]	–	–	–	•	•	•	•	•	•	•	•	•	•	•
	1200mm wide	DDLTK12 [▲]	–	–	–	•	•	•	•	•	•	•	•	•	•	•
Touch up paint (300g)	Pebble Grey RAL7032	TUP/P20	–	–	–	•	•	•	•	•	•	•	•	•	•	•

▲ Available on request

TECHNICAL DRAWING



Universal DD – 316 Stainless Steel

Double Door Enclosures



- Suitable for industrial or demanding conditions.
- No centre mullion — extremely easy to access all equipment mounted on the included mounting pan.
- 180° opening doors.
- Conformity, Approvals:
Lloyds Register #06/10007 (E2)
- Manufactured from 1.5mm thick 316 stainless steel.
- N4 surface finish.

Comes standard with:

- 2mm steel mounting pan powdercoated white
- Gland plates fitted internally or externally – dual on 1200mm wide
- Door rails
- Stainless steel lock with 7mm square stainless steel insert (DD020/S) on units below 1600mm high
- Lockable L handle keyed to 92268 (DD050) on units 1600mm and above
- Earth strap kit



ORDERING GUIDE

Dimensions (mm)

Part Number	External		Depth (C)	Internal Usable Depth* (D)	Mounting Pan		Opening		No. of Gland Plates	Weight (kg)
	Height (A)	Width (B)			Height (E)	Width (F)	Height (G)	Width (H)		
DD10103/S [▲]	1000	1000	300	250	940	915	940	920	1	64.0
DD12103/S [▲]	1200	1000	300	250	1140	915	1140	920	1	74.0
DD16104/S [▲]	1600	1000	400	350	1540	915	1540	920	1	103.0
DD18104/S [▲]	1800	1000	400	350	1740	915	1740	920	1	114.0
DD20104/S [▲]	2000	1000	400	350	1940	915	1940	920	1	125.0
DD12124/S [▲]	1200	1200	400	350	1140	1115	1140	1120	2	93.0
DD16124/S	1600	1200	400	350	1540	1115	1540	1120	2	119.0
DD18124/S	1800	1200	400	350	1740	1115	1740	1120	2	132.0
DD20124/S [▲]	2000	1200	400	350	1940	1115	1940	1120	2	145.0
DD18125/S	1800	1200	500	450	1740	1115	1740	1120	2	140.0
DD20125/S [▲]	2000	1200	500	450	1940	1115	1940	1120	2	154.0

* Mounting pan to inside of door

[▲] Available on request



See **Pages 50-51** for more information about B&R's range of lighting solutions or contact your local sales representative to discuss your requirements.

Universal DD – 316 Stainless Steel

Double Door Enclosures

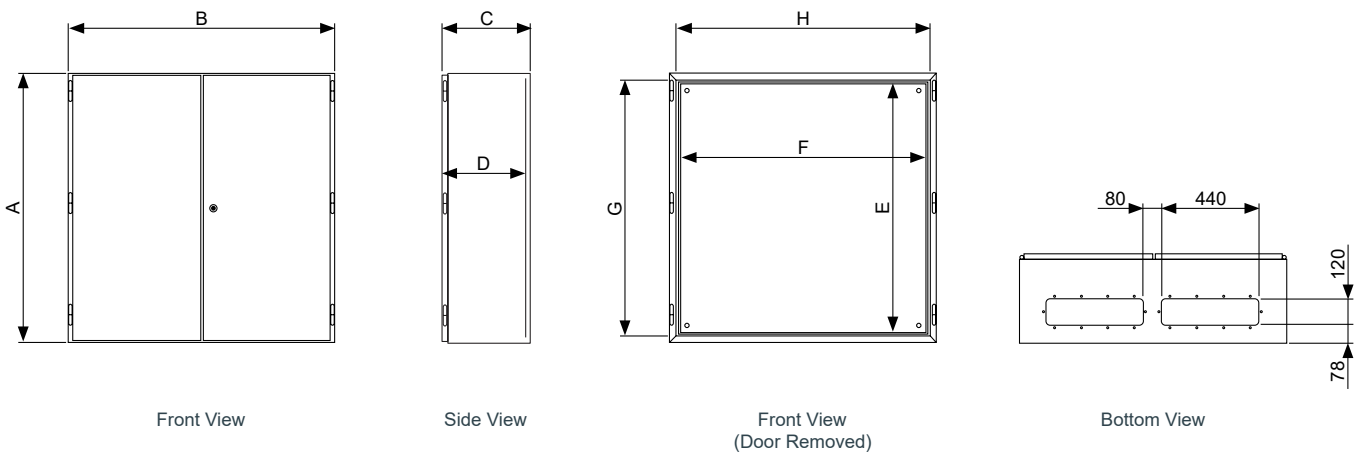


ACCESSORIES

Product	Description	Part Number	Dimensions (mm)			DD10103/S	DD12103/S	DD16104/S	DD18104/S	DD20104/S	DD12124/S	DD16124/S	DD18124/S	DD20124/S	DD18125/S	DD20125/S
			Height	Width	Depth											
Rainhoods	316 stainless steel	DDRH103/S [▲]	30	-	-	•	•									
		DDRH104/S [▲]	30	-	-			•	•	•						
		DDRH124/S [▲]	30	-	-						•	•	•	•		
		DDRH125/S [▲]	30	-	-										•	•
Channel iron plinths	Galvanised steel	DDCIP103 [▲]	75	1000	255	•	•									
		DDCIP104 [▲]	75	1000	355			•	•	•						
		DDCIP124	75	1200	355						•	•	•	•		
		DDCIP125 [▲]	75	1200	455										•	•
Plinth mounting bases	Galvanised steel	DDPB011003 [▲]	100	1000	255	•	•									
		DDPB011004	100	1000	355			•	•	•						
		DDPB011204 [▲]	100	1200	355						•	•	•	•		
		DDPB011205 [▲]	100	1200	455										•	•
Neoprene gasket	3mmx20mm, 4m long	IPPC/G	-	-	-	•	•	•	•	•	•	•	•	•	•	•
External vent kit	316 stainless steel	IPVK/S	130	130	-	•	•	•	•	•	•	•	•	•	•	•
		IPVK16/S [▲]	260	260	-	•	•	•	•	•	•	•	•	•	•	•
Gland plate – split	2mm zinc coated steel	DDSGP [▲]	490	112	-	•	•	•	•	•	•	•	•	•	•	•
Eye bolt	125kg per bolt (2)	LEB/12	-	-	-	•	•	•	•	•	•	•	•	•	•	•
LED light kit (500mm wide) – includes power supply & switch	12V	BRLED500	-	500	-	•	•	•	•	•	•	•	•	•	•	•
	24V	BRLED500/24	-	500	-	•	•	•	•	•	•	•	•	•	•	•
Light kit bracket	To suit LED light kit	DDLKB10 [▲]	-	1000	-	•	•	•	•	•	•	•	•	•	•	•
		DDLKB12 [▲]	-	1000	-	•	•	•	•	•	•	•	•	•	•	•
Fluoro light kit (240V)	1000mm wide	DDLTK10 [▲]	-	-	-	•	•	•	•	•						
	1200mm wide	DDLTK12 [▲]	-	-	-						•	•	•	•	•	

▲ Available on request

TECHNICAL DRAWING



Miner ME

1000 Volt Mining and Industrial Enclosures



- Suitable for 1000 volt applications.
- 100 micron UV resistant modified polyester paint finish.
- Suitable for temperatures -10°C to +60°C.
- Specially designed flat faced gutter.
- External pintle hinges for easy door removal.
- Conformity, Approvals:
Lloyds Register #06/10007 (E2)
- Manufactured from 2mm thick zinc coated steel.
- Powdercoated French Blue or X15 Orange.

Comes standard with:

- Steel mounting pan powdercoated white
- Chromed steel lock with 7mm square steel insert (NI020)
- Earth strap kit



ORDERING GUIDE

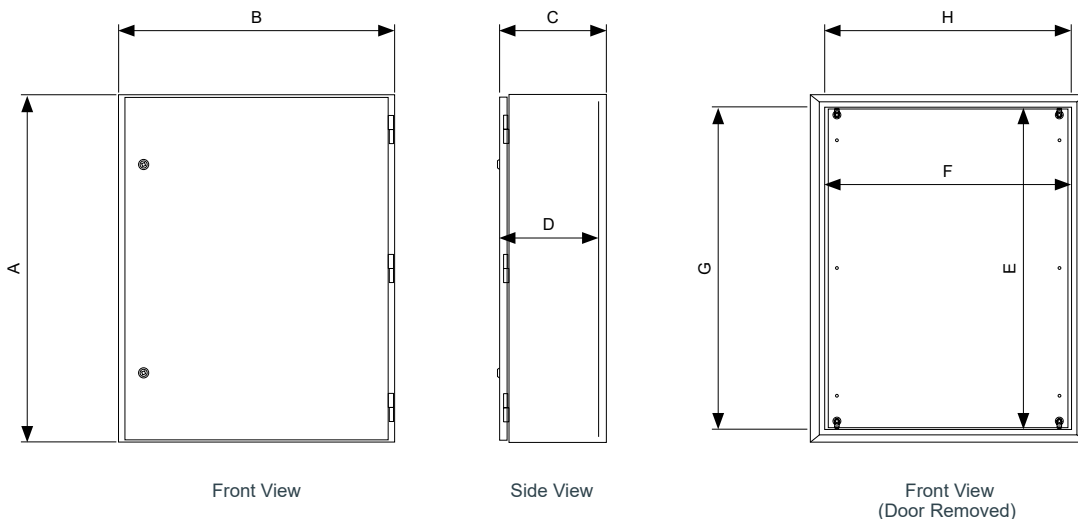
Dimensions (mm)

Part Number		External		Internal	Mounting Pan	Opening		No. of Locks	Weight (kg)		
French Blue	X15 Orange	Height (A)	Width (B)	Depth (C)	Usable Depth*	Height (E)	Width (F)			Height (G)	Width (H)
ME06043	ME06043/RO [▲]	600	400	310	278	530	300	540	320	1	22.0
ME06063	ME06063/RO	600	600	310	278	530	500	540	520	1	30.0
ME08063	ME08063/RO	800	600	310	278	730	500	740	520	2	38.0
ME08083	ME08083/RO	800	800	310	278	730	700	740	720	2	49.0
ME10083	ME10083/RO [▲]	1000	800	310	278	930	700	940	720	2	59.0
ME12083 [▲]	ME12083/RO [▲]	1200	800	310	278	1130	700	1140	720	2	69.0
ME10103	ME10103/RO	1000	1000	310	278	930	900	940	920	2	71.0

* Mounting pan to inside of door

[▲] Available on request

TECHNICAL DRAWINGS



BHP OLYMPIC DAM

South Australia

THE PROJECT

Olympic Dam mine is a large polymetallic mine located in South Australia, approximately 550km Northwest of Adelaide.

Home to a major source of oxide copper gold deposit, Olympic Dam produces combined quantities of Copper, Gold, Uranium and Silver through an underground mining system integrated with a metallurgical processing plant.

The deposit was discovered in 1975 and the mine was opened in 1988 by WMC Resources. BHP gained control of this mine in mid-2005.

THE CONTRACTOR

MPS Building & Electrical, a local contractor based in Roxby Downs, provide a wide range of domestic, commercial and industrial mining services to the Roxby Downs community and surrounding areas.

THE CHALLENGE

MPS contacted B&R to assist with finding a solution for a fibre enclosure hub which would be used to link a fibre ring underground connecting four mine shafts, with the surface.

B&R's design and engineering team worked closely with MPS Building & Electrical to create an enclosure specific to BHP's requirements. The customised solution was supplied through Auslec Electrical and Data located in Wingfield.

THE SOLUTION

B&R designed a double door stainless steel field cabinet which was 1000mm deep and capable of housing electrical and monitoring equipment.

Due to the remote location of the project and the type of equipment installed, sunshades and lockable handles were included to reduce heat within the enclosure and prevent vandalism.

“ B&R were able to design and supply an enclosure that was 100% fit-for-purpose, which made for a seamless installation. ”



THE RESULT

B&R have worked alongside BHP and MPS Building & Electrical on past projects, installing enclosure solutions into a variety of different applications.

B&R's ability to design custom solutions along with their reliable service meant MPS Building & Electrical could confidently deliver this project and supply an enclosure suitable for harsh mining environments.

B&R and MPS look forward to working together again. This enclosure was specifically designed for this project and is being considered as a standard for future installations.

Locks

Locks to suit special purpose enclosures

Standard Locks

These locks are included as standard for each of these enclosures. For a different locking option on one of these enclosures, contact your local sales representative to discuss your requirements.

Enclosure	Zinc Coated Steel	Stainless Steel
Universal NI	NI020 – chromed steel with 7mm square steel insert	NI020/S – stainless steel lock with 7mm square stainless steel insert
Universal DD ≤ 1600mm H	DD020 - chromed steel with 7mm square steel insert	DD020/PS - black powdercoated lock with 7mm square stainless steel insert
Universal DD > 1600mm H	DD050 - lockable L handle keyed 92268	DD050 - lockable L handle keyed 92268
Miner ME	NI020 - chromed steel with 7mm square steel insert	–

Lock Options for Special Purpose Enclosures

There are a number of lock options available that are suitable for use on special purpose enclosures. Contact your local sales representative to discuss your requirements.

Product	Description	Part Number	Standard Lock/Insert	Alternative insert	Keys	
					Lockable handles	Zinc, 4-way
Turnbuckle	chromed steel	NI020	7mm square – steel	See below		SKZ
		DD020	7mm square – steel			SKZ
	powdercoated with SS insert	NI020/PS	7mm square – stainless steel			SKZ
		DD020/PS	7mm square – stainless steel			SKZ
	stainless steel	NI020/S	7mm square – stainless steel			SKZ
		NI028S/S	8mm square slotted – stainless steel		–	SKZ
Wing knob	lockable	NI030	Key code 92268	–	SK3	
		NI030/CL001	Key code CL001	–		
		NI030/L003	Key code L003	–		
	padlockable	NI032	Suit 8mm hasp	–		
	padlockable - stainless steel	NI032/S	Suit 8mm hasp	–		
	non-lockable	DD030	Key code 92268	–	SK3	
NI111		–	–			
		DD111	–	–		
T-handle	lockable	NI040	Key code 92268	–	SK3	
		DD040	Key code 92268	–	SK3	
L-handle	lockable	NI050	Key code 92268	–	SK3	
		DD050	Key code 92268	–	SK3	
	padlockable – steel	NI052	–	–		
		DD052	–	–		
	padlockable – stainless steel	NI052/S	–	–		
		DD052/S	–	–		
Swing handle	padlockable – steel	SP/LCK	–	–		
	padlockable – stainless steel	SP/LCK/S	–	–		
LockSock®	plastic	SP/LCK/DC	To suit SP/LCK	–		
Dust cap	plastic	NI020/DC	To suit NI020 lock	–		

Locks

Locks to suit special purpose enclosures



Lock Inserts for Locks

The NI020 locks are available with an option lock insert for use on all special purpose enclosures. Contact your local sales engineer to discuss your requirements.

To suit lock style	Description	To suit lock	Standard Insert	3mm double bit pin		8mm square		8mm square slotted	8mm triangle	
				Steel	Stainless Steel	Steel	Stainless Steel	Stainless Steel	Steel	Stainless Steel
Turnbuckle	chromed steel	NI020 or DD020	7mm square – steel	LKINS3P		LKINS8S		LKINS8SS/S		LKINS8T
	powdercoated with SS insert	NI020/PS or DD020/PS	7mm square – stainless steel		LKINS3P/S		LKINS8S/S	LKINS8SS/S		LKINS8T/S
	stainless steel	NI020/S or DD020/PS	7mm square – stainless steel		LKINS3P/S		LKINS8S/S	LKINS8SS/S		LKINS8T/S
Key required – zinc			SKZ	SKZ	SKZ	SKZ	SKZ	SKZ	SKZ	SKZ

Enclosure LED Lighting

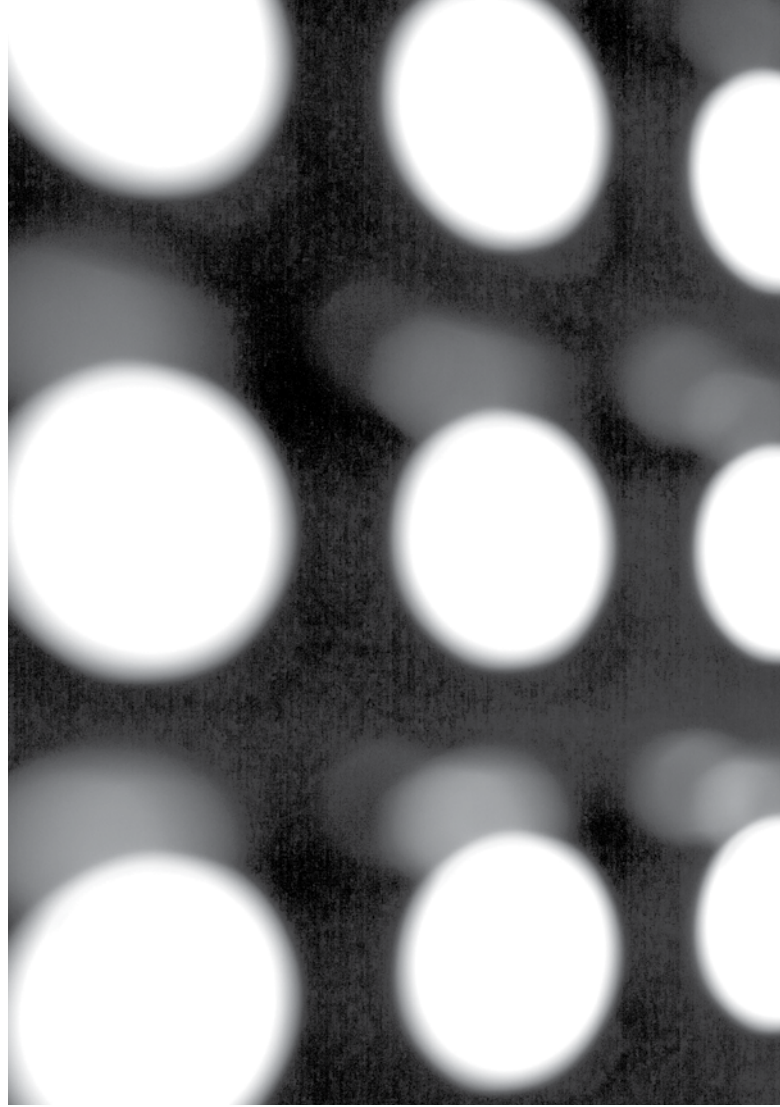
Our LED lighting solutions provide light inside an enclosure when visibility is required for both safety and efficacy.



High output, small form factor LED lighting. Up to 4 units can be daisy chained from the one power supply. Allows for the opening of full height swing frames or hinged escutcheons when fitted to the roof. The optional PIR movement sensor can be used for power efficiency as an automatic door switch. All light kits can be mounted directly onto 19" rack rails. In the absence of 19" rack rails a mounting kit is available to suit the enclosure size.

B&R's LED lighting solutions are applied to provide excess light within an enclosure and becomes a continuous light source to provide extra visibility.

- Energy saving up to 50% compared with traditional fluorescents under the same lux.
- Life span – over 50,000 hours
- Available in cool white, neutral white and warm white colour temperatures.
- Available in 12V and 24V options.
- Easy linking up to 36 watts per run.
- Easy to install.
- Low voltage — safe and efficient.
- Manufactured from aluminium with black plastic end caps and acrylic lens.
- Light source – SM3528 LED
- Operating temperature – -20°C to 40°C indoors



This information is provided as a guide only. Contact your local sales representative to discuss your requirements.

Technical Operating Data

Length (mm)	Voltage (DC)	Power (W)	Radiance	Colour Temp	Luminous Flux (lm)*	LED Current (A)
300	12/24	3	90°	4400	280/360	0.18
500	12/24	5	90°	4400	460/600	0.18



Monarch IP

Part Number	Power (V)	Inclusions					Required Mounting Bracket			To suit enclosure	
		LED Light	Power Supply	Splitter	Switch	Connectors	IPLKB04	IPLKB06	IPLKB08	Width (mm)	Optional
BRLED300	12	•	•		•		•			400	BRMOT PIR Motion Sensor
BRLED300/24	24	•	•		•		•			400	
BRLED500	12	•	•		•			•		600, 700 or 800	
BRLED500/24	24	•	•		•			•		600, 700 or 800	
BRLEDK03	–	•		•		•				400	
BRLEDK05	–	•		•		•		•		600, 700 or 800	

Universal Double Door

Part Number	Power (V)	Inclusions					Required Mounting Bracket		To suit enclosure		
		LED Light	Power Supply	Splitter	Switch	Connectors	DDLKB10	DDLKB12	Width (mm)	Optional	
BRLED500	12	•	•		•		•			1000	BRMOT
BRLED500/24	24	•	•		•			•		1200	PIR Motion Sensor

AUSTRALIA

Sales
T: 1300 Enclosures (1300 362 567)
E: sales@brenclosures.com.au
brenclosures.com.au

QUEENSLAND

Brisbane Manufacturing, Sales & Warehouse
51 Stradbroke Street
Heathwood QLD 4110
(PO Box 1151)
Browns Plains BC QLD 4118
T: +61 7 3714 1111
E: salesqld@brenclosures.com.au

NORTH QUEENSLAND

Townsville Sales & Warehouse
Unit 4/ 780 Ingham Road
Mount Louisa, QLD 4814
(PO Box 7615)
Garbutt QLD 4814
T: +61 7 4727 1900
E: salestvl@brenclosures.com.au

NEW SOUTH WALES

NSW & ACT Sales & Warehouse
7 Metters Place
Wetherill Park NSW 2164
T: +61 2 9915 9555
E: salesnsw@brenclosures.com.au

NEWCASTLE Distribution

Ross Joice Agencies Pty Ltd
109-111 Broadmeadow Road
Broadmeadow NSW 2292
T: +61 2 4961 4433

VICTORIA

VIC & TAS Sales & Warehouse
50-52 Sunmore Close
Heatherston VIC 3202
T: +61 3 9552 0552
E: salesvic@brenclosures.com.au

TASMANIA Distribution

W P Martin Pty Ltd
85 Elizabeth Street
Launceston TAS 7250
T: +61 3 6331 5545

SOUTH AUSTRALIA

SA & NT Manufacturing, Sales & Warehouse
505 Grand Junction Road
Wingfield SA 5013
T: +61 8 8417 6222
E: salessa@brenclosures.com.au

NORTHERN TERRITORY Distribution

Jewell Distributors Pty Ltd
Cnr Hidden Valley & Beaton Roads
Berrimah NT 0828
T: +61 8 8947 0870

WESTERN AUSTRALIA

WA Sales Office & Warehouse
6 Montgomery Way
Malaga WA 6090
T: +61 8 6310 4777
E: saleswa@brenclosures.com.au

NEW ZEALAND

Sales
B&R Enclosures Limited
T: 0800 Enclosures (0800 362 567)
E: sales@brenclosures.co.nz
brenclosures.co.nz

AUCKLAND Distribution

Matchmaster
Unit 6103 Cryers Road
East Tamaki Auckland NZ 2013
T: +64 9 265 2097
E: sales@brenclosures.co.nz

CHRISTCHURCH Distribution

Matchmaster
17 Washbournes Road
Wigram Christchurch NZ 8042
T: +64 3 348 0659
E: sales@brenclosures.co.nz