



INDUSTRIAL

HAZARDOUS
AREAS

DATA ICT

RESIDENTIAL
COMMERCIAL



B&R Enclosures
POLYNOVA PJ

brenclosures.com.au

Polynova PJ

Adaptable Boxes



- Suitable for power distribution, junction and marshalling, process control and automation.
- Adaptable thermoplastic enclosures designed to house terminations and electrical components in individual boxes or assembled into a suited configuration.
- Capable of withstanding temperatures -25°C to 90°C.
- Conformity, Approvals:
 - UL94, V1 rating
 - IEC695-2-1: 960° Glow Wire Test
- Manufactured from UV stabilised polycarbonate.
- Light Grey RAL7035.

Comes standard with:

- Stainless steel cover screws



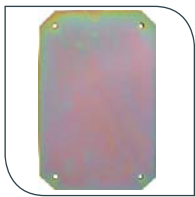
ORDERING GUIDE

Part Number		Dimensions (mm)							Weight (kg)
		External			Cover Depth	Internal	Mounting Centres		
Opaque	Transparent	Height (A)	Width (B)	Depth (C)	(D)	Usable Depth (E)	Height (F)	Width (G)	
PJ110706	PJ110706T	110	75	65	15	53	75	40	0.1
PJ111106	–	110	110	65	15	53	75	75	0.2
PJ151107	PJ151107T	150	110	75	15	62	115	75	0.2
PJ151507	PJ151507T	150	150	75	15	62	115	115	0.3
PJ221507	PJ221507T	220	150	75	15	62	185	115	0.4
PJ302207	PJ302207T	300	220	75	15	62	265	185	0.7
PJ180908*	–	180	90	85	19	72	140	60	0.3
PJ151110	PJ151110T	150	110	100	40	87	115	75	0.3
PJ151510	PJ151510T	150	150	100	40	87	115	115	0.4
PJ221510	PJ221510T	220	150	100	40	87	185	115	0.4
PJ302210	PJ302210T	300	220	100	40	87	265	185	0.8
PJ111111	PJ111111T	110	110	112	62	100	75	75	0.2
PJ151115	PJ151115T	150	110	150	90	137	115	75	0.3
PJ151515	PJ151515T	150	150	150	90	137	115	115	0.4
PJ221515	PJ221515T	220	150	150	90	137	185	115	0.5
PJ302215	PJ302215T	300	220	150	90	137	265	185	0.9

* PJ180908 is rated to IP66

ACCESSORIES

Product	Description	Part Number	Dimensions (mm)		PJ110706/(T)	PJ111106	PJ151107/(T)	PJ151507/(T)	PJ221507/(T)	PJ302207/(T)	PJ180908	PJ151110/(T)	PJ151510/(T)	PJ221510/(T)	PJ302210/(T)	PJ111111/(T)	PJ151115/(T)	PJ151515/(T)	PJ221515/(T)	PJ302215/(T)		
			Height	Width																		
Mounting pan	Metal	PJ1111/M	88	88		•																
		PJ1511/M	125	88			•					•										
		PJ1515/M	125	125				•						•								
		PJ1809/M	155	68								•										
		PJ2215/M	198	125						•					•							•
		PJ3022/M	275	198							•					•						•
Wall mounting brackets	Set of 2	PJ/WMB	-	-	•	•	•	•	•	•	•	•	•	•	•	•	•	•	•	•	•	
		PJ/D11	-	85	•	•	•					•						•	•			
DIN rail – aluminium		PJ/D15	-	125			•	•	•			•	•	•				•	•	•		
		PJ/D22	-	195					•	•				•	•					•	•	
		PJ/D30	-	275						•					•						•	
																					•	



Metal mounting pan

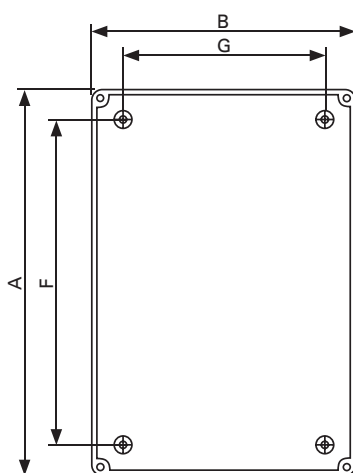


PJ/WMB

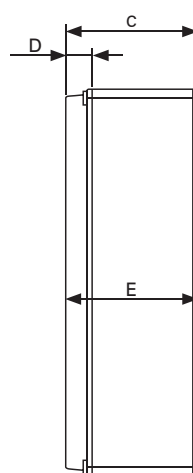


Aluminium DIN rail

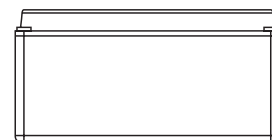
TECHNICAL DRAWINGS



Front View



Side View



Bottom View

AUSTRALIA**Sales**

T: 1300 Enclosures (1300 362 567)

F: 1300 796 599

E: sales@brenclosures.com.au
brenclosures.com.au

QUEENSLAND

Brisbane Manufacturing, Sales & Warehouse 51 Stradbroke Street Heathwood QLD 4110 (PO Box 1151)

Browns Plains BC QLD 4118

T: +61 7 3714 1111

E: salesqld@brenclosures.com.au

NORTH QUEENSLAND

Townsville Sales & Warehouse Unit 4 / 780 Ingham Road Mount Louisa QLD 4814 (PO Box 7615)

Garbutt QLD 4814

T: +61 7 4727 1900

E: salestvl@brenclosures.com.au

NEW SOUTH WALES

NSW & ACT Sales & Warehouse 7 Metters Place, Wetherill Park 2164

T: +61 2 9915 9555

E: salesnsw@brenclosures.com.au

NEWCASTLE Distribution

109-111 Broadmeadow Road

Broadmeadow NSW 2292

T: +61 2 4961 4433

F: +61 2 4961 2498

VICTORIA

VIC & TAS Sales & Warehouse 50-52 Sunmore Close

Heatherton VIC 3202

T: +61 3 9552 0552

E: salesvic@brenclosures.com.au

TASMANIA Distribution

W P Martin Pty Ltd

85 Elizabeth Street

Launceston TAS 7250

T: +61 3 6331 5545

F: +61 3 6331 4256

SOUTH AUSTRALIA

SA & NT Manufacturing, Sales & Warehouse 505 Grand Junction Road

Wingfield SA 5013

T: +61 8 8417 6222

E: salessa@brenclosures.com.au

NORTHERN TERRITORY Distribution

Cnr Hidden Valley & Beaton Roads Berrimah NT 0828

T: +61 8 8947 0870

F: +61 8 8947 0764

WESTERN AUSTRALIA

WA Sales Office & Warehouse 6 Montgomery Way

Malaga WA 6090

T: +61 8 6310 4777

E: saleswa@brenclosures.com.au

NEW ZEALAND**Sales**

B&R Enclosures Limited

T: 0800 Enclosures (0800 362 567)

E: sales@brenclosures.co.nz

brenclosures.co.nz

AUCKLAND Distribution

Unit 6/103 Cryers Road

East Tamaki Auckland NZ 2013

T: +64 9 265 2097

F: +64 9 265 2437

E: sales@brenclosures.co.nz

CHRISTCHURCH Distribution

17 Washbournes Road

Wigram Christchurch NZ 8042

T: +64 3 348 0659

F: +64 3 348 4043

E: sales@brenclosures.co.nz

CHINA**Sales**

B&R Enclosures (Suzhou) Co. Ltd

E: sales@brenclosures.com.cn

brenclosures.com.cn

SUZHOU

Suzhou Sales Office &

Manufacturing Building 45

Chuangtou Industrial Zone SIP,

Suzhou 215122

PEOPLE'S REPUBLIC OF CHINA

T: +86 512 8718 2139

F: +86 512 8718 2140

E: sales@brenclosures.com.cn