

B&R Enclosures Industrial Enclosure Solutions

brenclosures.com.au



About B&R Enclosures

For over 60 years, B&R Enclosures has built a reputation for excellence in the design and manufacture of electrical enclosures and integration services. B&R is trusted by some of the largest companies in the world including Boeing, Alstrom, Saudia Aramco, BHP Billiton and ABB.

As a 100% Australian, family-owned business, B&R champions the virtues of quality, service and value. Combined with our unrivalled industry and application knowledge, we are in a unique position to meet the needs of our clients.

B&R solutions can be used for a variety industries and applications including:

- Mining
- Infrastructure
- Oil & Gas
- Rail, road & ports
- Manufacturing; and more

Solutions range from off-the-shelf standard manufactured products, customised and assembled-to-order solutions, electrical equipment integration, project management and supply chain management services. B&R's team of designers work with clients on unique engineering challenges to provide innovative, efficient solutions delivered with short-lead times and to complex project specifications.

B&R's range of industrial enclosures include:

- Process Automation & Control
- Junction & Marshalling Enclosures
- Power Distribution
- Motor Control Centres
- Climate Control; and more

Quality is assured with B&R's certification to ISO 9001. B&R is also accredited by the Australian Stainless Steel Development Association as a superior producer of stainless steel products, working to industry best practice. B&R's occupational health and safety management system is certified to AS/NZS 4801.

DISCLAIMER

This catalogue has been prepared specifically for customers of the publisher and as a general reference only. B&R Enclosures Pty Ltd engages in a policy of continuous development and improvement of its products and reserves the right to alter, add and/or delete specifications of any products or equipment and change of manufacturing location without notice and without incurring liability. The publisher and any party associated with the production of this catalogue do not accept any responsibility or liability whatsoever (to the extent permitted by law) for any inaccuracy, error, misinformation or misleading statements, whether negligently caused or otherwise, contained in this publication. This publication is protected by copyright and may not be reproduced or copied (using any method of reproduction or copying), sold, transmitted, circulated or otherwise forwarded to third parties, in whole or part, without prior written consent of the author. All registered trademarks and product names appearing herein are the property of the respective owners.

TABLE OF CONTENTS

Overview	2
Polynova PJ	14
Polynova PS	16
Polynova PC	18
Polynova PM	20
Polynova PN	22
Polynova PU	24
Polynova PD	26
Forte FR	28
Universal NI – zinc coated steel	30
Universal NI – 316 stainless steel	32
Locks to suit Forte FR & Universal NI	34
Project Profile – BHP Olympic Dam	35
Connector TE – zinc coated steel	36
Connector TE – 316 stainless steel	38
Connector TEMF	40
Universal DD – zinc coated steel	42
Universal DD – 316 stainless steel	44
Incline SR	46
Hedland PH	48
Finucane FI	50
Miner ME	52
Project Profile – Roy Hill Climate Ready Enclosures	53
Bowen Series	54
Pilbara SP – zinc coated steel	56
Pilbara SP – 316 stainless steel	58
Pilbara SP w/ Sunshades – zinc coated steel	60
Pilbara SP w/ Sunshades – 316 stainless steel	62
Lambert LB	64
Universal PB	66
Monarch SMB & CT	68
Project Profile – AuScope CORS	69
Signature SE	70
Locks	72
Monarch IP – zinc coated steel	74
Monarch IP – 316 stainless steel	76
Monarch IP – aluminium	78
Monarch IP Accessories	80
Locks	91
Enclosure LED Lighting	92
Project Profile – Oyu Tolgoi Mine	94
Field FC	96
Field FC Accessories	98
iLINQ Stand-Alone	100
iLINQ Assembled to Order	102
EMO Series	104
EGO Series	106
DEK Series	108
Keeping Your Equipment Cool	110
BLU-BIT Series	111
MIX Series	112
FAN/FIL Series	114
DLK Series	116
Anti-condensation Heaters	118
WID Series	120
Climate Control Accessories	122
Project Profile – Peninsula ECO project	125
Product Index	126

Business Overview

Since 1955, B&R has built a reputation for excellence in the design and manufacture of enclosures. Everything we have learned in that time, we've poured into our products and relationships.

B&R Enclosures was founded by Dick Bridges in 1955, specialising in sheet metal fabrication, including electrical enclosures for domestic metering applications.

With little capital but great enthusiasm for operating his own business and a determination to succeed, Dick commenced operations in his backyard in Adelaide, South Australia.

It was this family determination that has sustained B&R's growth into manufacturing plants in Brisbane, Adelaide and Sydney, 8 locations nationally and an international network of distributors.

As a 100% Australian, family-owned business, B&R champions the virtues of quality, service and value. Combined with our unrivalled industry and application knowledge, we are in a unique position to meet the needs of our clients.

B&R Enclosures encompasses four divisions: Industrial, Data ICT, Hazardous Areas and Residential Commercial. Each division focuses on the unique needs of different market segments. Together, these divisions share the strengths, resources and experience of the founding company to provide attentive customer service, innovative design and superior quality products.

Some of the largest companies around the world use B&R as a major supplier. These include BHP Billiton, Rio Tinto and the Australian government to name a few. We have enjoyed repeat business with the world's leading mining companies for over 20 years.

B&R Enclosures can offer extensive supply chain capabilities featuring supply from stock (ex our national warehouse network), supply of assembled to order solutions with short lead times, value adding services and cooperation with other suppliers to allow for integration of third party products into enclosures, racks or cabinets prior to shipment.

B&R is also experienced in arranging specialised freight, product delivery, installation and removal of packaging. We measure our service performance and can provide regular written reports if required. B&R also provides key account management and project management to ensure that we clearly understand and can anticipate the ongoing needs of our customers.

Our Vision

Our commitment to supporting the community, locally and abroad is fundamentally grounded first and foremost in safety. Across all our projects we work to eliminate risk by ensuring that our products will both protect and maintain valuable assets but most importantly, keep people safe. With a growing plethora of electrical enclosure solutions available on the market and increasingly tough rules surrounding the safety and reliability of electrical installations, we go beyond just compliance to making safety the heart of our culture.

As a specialist manufacturer and supplier, we meet this challenge head on, providing an integrated approach to the delivery of complex projects requiring close collaboration and expertise. We proudly prioritise safety in all project planning and installation, from construction to completion. This allows B&R a reputation for excellence in providing greater certainty and value in the performance of project operations and facilities.

Our Core Values

Building Trust - We ensure that our employees (both internal and external) are trusted by customers as a partner who listens to their needs in order to meet their expectations in a reliable and consistent manner.

Commitment to Quality - We ensure we adhere consistently to standards to satisfy customer and user requirements whilst producing and providing products and services of the highest quality.

Participation - Collaboration plays an important role in generating creative thinking and problem solving.

Enthusiastic - Empowered to seek new opportunities to innovate and improve the B&R experience.

Ethical - An honourable approach underpins the core values and decision making made across all areas of the B&R business.

At B&R, we have been delivering safety for people and security for equipment since 1955. Our products are designed in Australia for Australian conditions.



Our Locations

B&R Enclosures have built a reputation for providing customers with a high standard of design, manufacture and supply of a complete enclosures solution.



BRISBANE | TOWNVILLE | WETHERILL PARK | NEWCASTLE | HEATHERTON | WINGFIELD | DARWIN | PERTH | TASMANIA | AUCKLAND | SUZHOU |
| SAUDI ARABIA |

- Manufacturing, Sales & Warehousing
- Sales & Warehousing
- Distribution Partners

Our Customers



Some of the world's largest companies use B&R as a major supplier. B&R Enclosures fosters longstanding partnerships with our clients, ensuring that we understand their evolving needs and business drivers.

Global Partners for International Projects

- STP & I Thailand
- CUEL Thailand
- AG & P Philippines
- Samsung Heavy Industries, Korea
- Daewoo Shipbuilding & Marine Engineering
- Samsung Engineering
- Jacobs Engineering
- Bechtel USA
- Shell, Australia / Malaysia
- Technip Malaysia
- Petronas Malaysia
- MHI Japan
- Toyo Engineering Japan
- JGC Corporation Japan
- Pertamina Indonesia
- ADGAS Abu Dhabi
- Borouge UAE
- ADNOC UAE
- KNPC Kuwait
- INPEX Japan
- PDO Oman
- Royal Commission, Saudi Arabia
- SABIC
- ARAMCO, Saudi Arabia
- Boeing Defence
- Worley Parson
- KBR
- RioTinto
- Ichthys LNG
- CB & I
- BHP Mining
- FMG Mining
- SAAB
- Thales
- APLNG
- QCLNG
- GLNG
- Telstra
- NBN Co
- Ansaldo
- BP, Australia

End User Acceptance & Approvals

- ADNOC, UAE
- ADNOC FOD, UAE
- ADCO, UAE
- ARAMCO, Saudi Arabia
- GASCO, UAE
- TAKREER, UAE
- FERTIL, UAE
- BOROUGE, UAE
- PDO, Oman
- SABIC, Saudi Arabia
- MAADEN, Saudi Arabia
- OCCIDENTAL, Qatar
- OCCIDENTAL, Oman
- Petronas, Malaysia
- Pertamina, Indonesia
- Pertamina, Indonesia
- Total Oil, Indonesia
- PTT, Thailand
- Vietnam Gas, Vietnam
- Shell Australia
- BP Australia
- Exxon Mobil, Australia
- Woodside, Australia
- INPEX, Japan

Project Experience Includes

- APLNG Project, Malaysia
- Macedon Gas Plant, Malaysia
- Emerson, Saudi Arabia
- Ichthys LNG Project, Australia
- SABIC, Saudi Arabia
- South Jeddah Pumping Stations, SWTP, Saudi Arabia
- Steeline Warehouse, Australia
- Output Based Aid, Solomon Islands

Markets Include

- Mining
- Industrial
- Renewable energy
- Oil and Gas
- Transport
- Defence
- Industrial process control
- Infrastructure; and more

Product Solutions

B&R prides itself on continually searching for the best and most innovative solutions across multiple industries, designing and supplying standard of custom product and engineered solutions into a vast array of applications.

At B&R, we not only manufacture and supply a range of enclosure solutions, but we can also customise the design to be 100% fit-for-purpose, innovative and efficient.

We offer a range of services to assist you when customising standard product to ensure that you have a product ready for installation. We understand that time is a major consideration on any project and we work with our customers to provide products on time and on budget.

We have established multiple value add divisions located within our facilities in Brisbane, Adelaide, Sydney, Suzhou (China), Dammam (Saudi Arabia) and Kuala Lumpur (Malaysia). All B&R products are backed by staff with local knowledge, experience of markets, environmental conditions, project requirements, electrical regulations, cultural customs and language dialects.

We also have an established design and engineering division who will work with you to customise any standard product to ensure you have a product to suit your application requirements.

Solutions include standard off-the-shelf products, customised and assembled-to-order solutions, fully engineered enclosures, electrical wiring services and supply chain management.

Our Services include:

- Door cutouts
- Cable entries
- Terminals and controls fitted
- Viewing windows
- Customised wiring
- Vent kits / sunshields fitted or punched
- Assembled-to-order / fitting of accessories

What this means for our customers:

- Customised product to suit the project
- Shorter lead times
- Available for small or large quantities
- One point of contact
- Standard product straight off the floor

The B&R business encompasses four divisions: industrial, data ict, hazardous areas and residential commercial. Each division has a focus on meeting the unique needs of different market segments.

INDUSTRIAL

An extensive range of enclosure solutions including industrial, mining, MCCB, road and rail, general purpose, power generation, process control and automation and more.

HAZARDOUS AREAS

Specialising in the supply of electrical equipment for hazardous areas, B&R Ex Systems utilises the manufacturing and distribution network of parent company B&R Enclosures. IECEx certified products include lighting, terminal and control enclosures and more.

DATA ICT

B&R Enclosures offers an extensive range of Data ICT product solutions including data racks and cabinets with a full suite of accessories including iPDU's, cable management, security cages and cooling solutions.

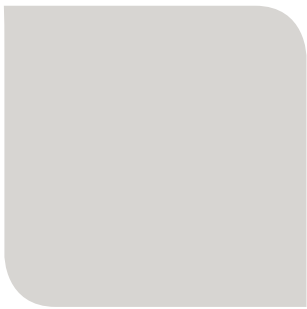
RESIDENTIAL COMMERCIAL

Specialising in the residential commercial market, B&R offer a range of enclosure solutions to suit single dwelling, multi-tenancy, commercial buildings and more.



Paint Colours

We offer a range of standard powdercoat colours on all of our enclosure products. These colours are based on industry standard and allow us to offer our customers a range of products that are easily identifiable in multiple application. Colour changes to standard product is an optional extra and other colours are available on request. Contact your B&R sales representative for more information.



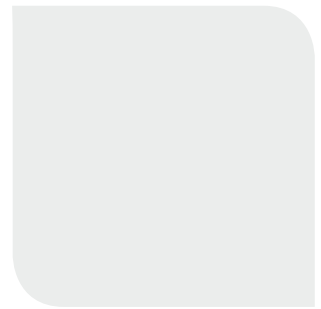
Light Grey
RAL7035



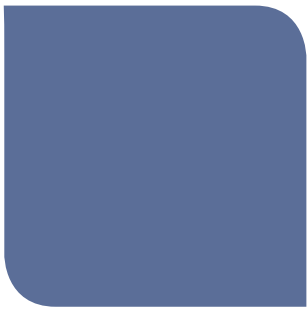
Pebble Grey
RAL7032



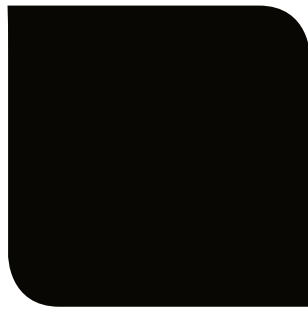
Orange
X15



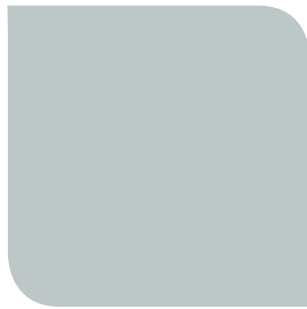
Mist Blue (White)
B33



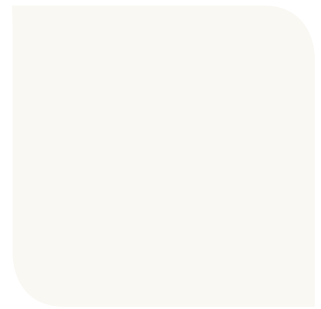
French Blue
B21



Matt Black



Smoke Blue
T33



Traffic White
RAL9016



Cream
RAL9001



Grey White (B&R Grey)
RAL9002



Signal Red

Technical Information



The IP Code or Ingress Protection Rating AS/NZS 60529: Degrees of protection provided by enclosures consists of the letters IP followed by two digits.

First Numeral

Protection against the ingress of solid particles



Second Numeral

Protection against the harmful ingress of water

IP	Requirements	Example	Protection of persons against access to hazardous parts with:	IP	Requirements	Example	Protection from water
0	No protection		Non-protected	0	No protection		Non-protected
1	Full penetration of 50mm diameter sphere not allowed. Contact with hazardous parts not permitted.		Back of hand	1	Protected against vertically falling drops of water. Limited ingress permitted.		Vertically dripping
2	Full penetration of 12.5mm diameter sphere not allowed. The jointed test finger shall have adequate clearance from hazardous parts.		Finger	2	Protected against vertically falling drops of water with the enclosure tilted 15° from the vertical. Limited ingress permitted.		Dripping up to 15° from the vertical
3	The access probe of 2.5mm diameter shall not penetrate.		Tool	3	Protected against sprays to 60° from the vertical. Limited ingress permitted.		Limited spraying
4	The access probe of 1.0mm diameter shall not penetrate.		Wire	4	Protected against water splashed from all directions. Limited ingress permitted.		Splashing from all directions
5	Limited ingress of dust permitted (no harmful deposit).		Wire	5	Protected against jets of water. Limited ingress permitted.		Hosing jets from all directions
6	Totally protected against the ingress of dust.		Wire	6	Protected against strong jets of water. Limited ingress permitted.		Strong hosing jets from all directions
				7	Protected against the effects of immersion between 15cm and 1m.		Temporary immersion
				8	Protected against long periods of immersion under pressure.		Continuous immersion

This Chart is intended to be read in conjunction with AS60529. Degrees of protection provided by enclosures for electrical equipment (IP Code). The symbols shown on this chart are for explanatory purposes only. They are not part of the IP Code and must not be used instead of the Code.

Material Selection

At B&R, we choose only the best materials when manufacturing our enclosures. This superior quality ensures you can trust the product and us.

Aluminium

B&R Enclosures aluminium products are manufactured using a medium strength alloy material that has excellent corrosion resistance and weldability.

Aluminium can be used successfully in coastal applications as well as other general industrial environments. It is also used in food processing applications and can be supplied without finishing to ensure the reliability of materials.

B&R use a variety of aluminium types including 5052 and 5251 with the differences being in the yield strength of the material. All B&R standard products are manufactured using materials that have a temper of H32.

Yield Strength

Yield strength refers to the indication of maximum stress that can be developed in a material without causing distortion. It is the stress at which a material exhibits a specified, permanent deformation and is an approximation.

In design applications, the yield strength is often used as the upper limit for allowable stress that can be applied. This is specifically important in applications that require precise dimensional tolerances.

316 Stainless Steel

The main benefits of using stainless steel are its structural strength, aesthetic appeal and high level of corrosion protection due to naturally occurring chromium-rich oxide film formed on the surface of the steel.

Grade 316 stainless steel can be used successfully in coastal locations where many other grades may experience corrosion due to the higher levels of chloride present in the environment. As the preferred material used in food processing applications, it can be easily cleaned and resists many organic chemicals, dyes and a wide variety of inorganic chemicals.

B&R Enclosures use only the highest quality 316 stainless steel materials, manufacturing and finishing techniques and are accredited by the Australian Stainless Steel Development Association (ASSDA).



Surface Finish

We finish our stainless steel products in a way that is aesthetically pleasing and also ensures superior protection. We apply an N4 surface finish, with a maximum Ra of 0.4µm. This Ra rating is a key factor in the corrosion protection and 'cleanability' of our products.

Surface corrosion, often referred to as 'tea staining' is common along the coastal fringe and high salinity areas of Australia. Tea staining is a discolouration of the metal surface which is unsightly, but does not affect the structural integrity of the enclosure.

Zinc Coated Steel

We use primarily zinc coated steel for our B&R branded products. This is a matte, hot dipped, zinc iron alloy which when combined with chemical pretreatment and powdercoat finish offers the best possible corrosion protection for enclosure systems.



Pretreatment

A B&R branded zinc coated steel enclosure is punched, bent, welded and ground on the way through our factory. Following fabrication it goes through an automated process which consists of the following:

- Alkaline cleaner
- Reticulated freshwater rinse
- Iron phosphate coating
- Reticulated freshwater rinse
- Demineralised water with polymer additive

Tiltration tests are also conducted to ensure that the material meets the required specifications.

Powdercoat Finish

The powdercoat paint is applied at an average coating thickness of 100µm for a ripple finish and 70µm for a gloss. The minimum coating thickness is 60µm on the exterior of the enclosure and 25µm on the interior (conforms to AS/NZS 4506:1998).

Testing

The powdercoat paint finish is tested extensively to the following standards and ensure consistent paint finish, both quality and colour, across our range of enclosures.

- Powdercoating thickness test (AS1580.108.1:1994)
- CureTest, solvent resistance method (AS/NZS4506:1998)
- Adhesion, cross cut test (AS/NZS 1580.408.4:1993)
- Paint colour comparison test (AS2700:1996)



Standards, Accreditations and Associations

At B&R, quality and value are just the beginning. We strive to deliver quality products developed and manufactured by a team dedicated to excellence, backed by standards, approvals and industry accreditations.

ISO 9001 Certification



Every B&R Enclosures manufacturing facility is externally audited to ensure that the quality of our products meet the stringent ISO9001 standards. B&R's products are carefully inspected at the end of lines during the manufacturing process to ensure that the enclosures will withstand their intended environment and application.

AS/NZS4801



An externally audited Occupational Health and Safety Management System.

ISO 14001 (Pending)



Sets out the criteria for an environmental management system. It maps out a framework that a company or organisation can follow to set up an effective environmental management system.

Security Construction and Equipment Committee (S.C.E.C)



A standing inter-departmental committee responsible for the evaluation of security equipment for use by Australian Government departments and agencies.

IECEX Certification



An internationally recognised scheme for the certification of hazardous area electrical equipment. The IECEX system is designed to facilitate international trade in equipment and services for use in hazardous areas, while maintaining the required level of safety.

Lloyds Register



Lloyd's Register is a global organisation which provides independent assurance to companies operating high-risk, capital-intensive assets in the energy and transportation sectors, to enhance the safety of life, property and the environment.

CE



The CE marking is a European proof of conformity that allows manufacturers and exporters to circulate products freely within the European Union.

ASSDA



The Australian Stainless Steel Development Association provides comprehensive technical information on stainless steel. This includes information for users, equipment manufacturers and stainless steel suppliers.

Achilles



Our global networks of industry communities serve buyers in supplier pre-qualification, supplier risk management and compliance, and supplier visibility.

AIDN-QLD



The peak industry association for small-to-medium enterprises (SMEs) wishing to do business in the defence and security sectors.

RoHS



The RoHS directive aims to restrict certain dangerous substances commonly used in electronic and electronic equipment. Any RoHS compliant component is tested for the presence of Lead (Pb), Cadmium (Cd), Mercury (Hg), Hexavalent chromium (Hex-Cr), Polybrominated biphenyls (PBB), and Polybrominated diphenyl ethers (PBDE).



Polynova PJ

Adaptable Boxes



- Suitable for power distribution, junction and marshalling, process control and automation.
- Adaptable thermoplastic enclosures designed to house terminations and electrical components in individual boxes or assembled into a suited configuration.
- Capable of withstanding temperatures -25°C to 90°C.
- Conformity, Approvals:
 - UL94, V1 rating
 - IEC695-2-1:960° Glow WireTest
- Manufactured from UV stabilised polycarbonate.
- Light Grey RAL7035.

Comes standard with:

- Stainless steel cover screws



ORDERING GUIDE

Part Number		Dimensions (mm)							Weight (kg)
		External			Internal		Mounting Centres		
Opaque	Transparent	Height (A)	Width (B)	Depth (C)	Cover Depth (D)	Usable Depth (E)	Height (F)	Width (G)	
PJ110706	PJ110706T	110	75	65	15	53	75	40	0.1
PJ111106	–	110	110	65	15	53	75	75	0.2
PJ151107	PJ151107T	150	110	75	15	62	115	75	0.2
PJ151507	PJ151507T	150	150	75	15	62	115	115	0.3
PJ221507	PJ221507T	220	150	75	15	62	185	115	0.4
PJ302207	PJ302207T	300	220	75	15	62	265	185	0.7
PJ180908*	–	180	90	85	19	72	140	60	0.3
PJ151110	PJ151110T	150	110	100	40	87	115	75	0.3
PJ151510	PJ151510T	150	150	100	40	87	115	115	0.4
PJ221510	PJ221510T	220	150	100	40	87	185	115	0.4
PJ302210	PJ302210T	300	220	100	40	87	265	185	0.8
PJ111111	PJ111111T	110	110	112	62	100	75	75	0.2
PJ151115	PJ151115T	150	110	150	90	137	115	75	0.3
PJ151515	PJ151515T	150	150	150	90	137	115	115	0.4
PJ221515	PJ221515T	220	150	150	90	137	185	115	0.5
PJ302215	PJ302215T	300	220	150	90	137	265	185	0.9

* PJ180908 is rated to IP66



ACCESSORIES

Product	Description	Part Number	Dimensions (mm)		PJ110706(T)	PJ111106	PJ151107(T)	PJ151507(T)	PJ221507(T)	PJ302207(T)	PJ180908	PJ151110(T)	PJ151510(T)	PJ221510(T)	PJ302210(T)	PJ111111(T)	PJ151115(T)	PJ151515(T)	PJ221515(T)	PJ302215(T)		
			Height	Width																		
Mounting pan	Metal	PJ1111/M	88	88		•																
		PJ1511/M	125	88			•					•										
		PJ1515/M	125	125				•					•									
		PJ1809/M	155	68								•										
		PJ2215/M	198	125											•							•
		PJ3022/M	275	198												•						•
Wall mounting brackets	Set of 2	PJ/WMB	-	-	•	•	•	•	•	•	•	•	•	•	•	•	•	•	•	•	•	
		PJ/D11	-	85	•	•	•					•						•	•			
DIN rail – aluminium		PJ/D15	-	125			•	•	•			•	•	•					•	•	•	
		PJ/D22	-	195				•	•					•	•						•	
		PJ/D30	-	275							•				•						•	



Metal mounting pan

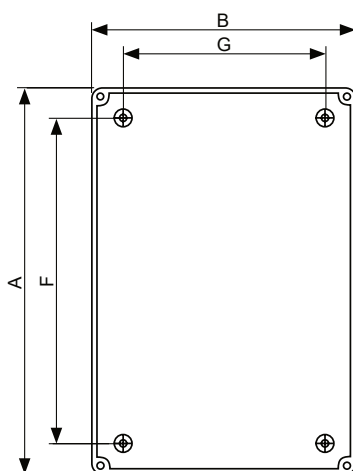


PJ/WMB

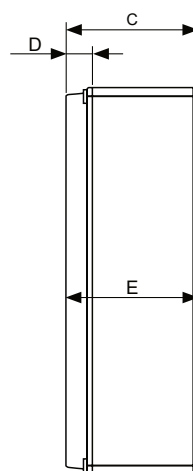


Aluminium DIN rail

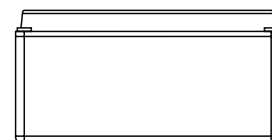
TECHNICAL DRAWINGS



Front View



Side View



Bottom View

Polynova PS

High Performance Non-Metallic Enclosures



- Designed for environments that require a high IP rating including housing terminations, signal infrastructure, pushbuttons and switchgear.
- Suitable for power distribution, junction and marshalling, process control and automation.
- Enclosures can be installed from the front.
- Capable of withstanding temperatures of -40°C to 75°C.
- Conformity, Approvals:
 - UL94, V1 rating
 - IEC695:960° Glow Wire Test
- Manufactured from UV stabilised polyester (opaque) or polycarbonate (transparent lid).
- Light Grey RAL7035.

Comes standard with:

- All fixings (see ordering guide for screw material)



ORDERING GUIDE

Part Number		Dimensions (mm)								Weight (kg)
		External				Internal		Mounting Centres		
Opaque	Transparent	Height (A)	Width (B)	Depth (C)	Cover Depth (D)	Usable Depth (E)	Height (F)	Width (G)		
PS110804	PS110804T	110	80	45	20	40	92	62	0.2	
PS060505*	–	65	50	55	20	50	52	37	0.1	
PS160805	PS160805T	160	80	55	15	50	145	66	0.2	
PS080806	PS080806T	82	80	60	15	55	70	68	0.2	
PS110807	PS110807T	110	80	70	20	65	92	62	0.2	
PS180807	PS180807T	180	80	70	20	65	162	62	0.3	
PS121207	PS121207T	125	125	75	20	70	105	105	0.2	
PS171207	PS171207T	175	125	75	25	70	157	109	0.4	
PS201507	PS201507T	200	150	75	25	70	182	132	0.5	
PS251707	PS251707T	250	175	75	25	70	232	157	0.6	
PS130808	PS130808T	130	80	85	35	80	112	62	0.3	
PS250808	PS250808T	250	80	85	35	80	232	62	0.4	
PS160809	PS160809T	160	80	90	15	85	145	66	0.2	
PS202009	PS202009T	200	200	95	20	90	182	182	0.7	
PS121210	PS121210T	125	125	100	20	95	105	105	0.4	
PS171210	PS171210T	175	125	100	50	95	157	109	0.5	
PS171710	PS171710T	175	175	100	50	95	157	157	0.5	
PS201510	PS201510T	200	150	100	20	95	182	132	0.6	
PS251510	PS251510T	250	150	100	20	95	232	132	0.8	
PS251710	PS251710T	250	175	100	50	95	232	157	0.6	
PS171712	PS171712T	175	175	125	75	120	157	157	0.5	
PS201513	PS201513T	200	150	130	50	125	182	132	0.8	
PS202013	PS202013T	200	200	130	20	125	182	182	0.9	
PS251513	PS251513T	250	150	130	50	125	232	132	0.9	

* Mounting feet included, all other units mount through the enclosure corners with no drilling required



Polynova PS

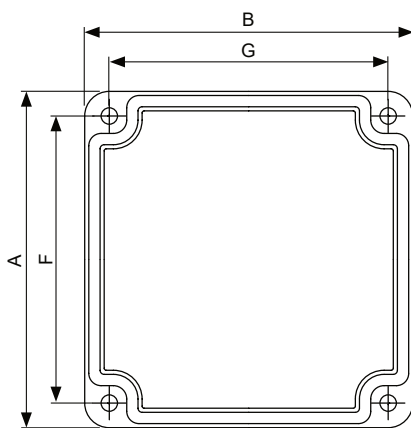
High Performance Non-Metallic Enclosures



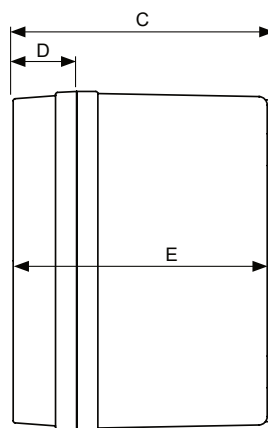
ACCESSORIES

Product	Description	Part Number	Dimensions (mm)			PS110804 (T)	PS060505	PS160805 (T)	PS080806	PS110807 (T)	PS180807 (T)	PS121207 (T)	PS171207 (T)	PS201507 (T)	PS251707 (T)	PS130808 (T)	PS250808 (T)	PS160809 (T)	PS202009 (T)	PS121210 (T)	PS171210 (T)	PS171710 (T)	PS201510 (T)	PS251510 (T)	PS251710 (T)	PS171712 (T)	PS201513 (T)	PS202013 (T)	PS251513 (T)				
			Height	Width	Thick																												
Mounting pan	Insulated	PS1108/I	96	68	3.5	•				•																							
		PS1212/I	111	111	3.5							•									•												
		PS1308/I	116	68	3.5												•																
		PS1712/I	161	111	3.5								•									•											
		PS1717/I	161	161	3.5																		•										
		PS1808/I	165	68	3.5						•																•						
		PS2015/I	186	136	3.5										•									•						•			
		PS2020/I	186	186	3.5															•											•		
		PS2508/I	235	68	3.5													•															
		PS2515/I	235	136	3.5																				•								•
		PS2517/I	235	156	3.5											•											•						

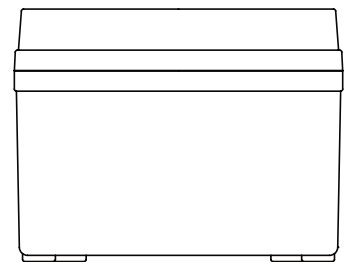
TECHNICAL DRAWINGS



Front View



Side View



Bottom View

Polynova PC

Enclosure & Distribution System



- Suitable for housing terminations and electrical components for low voltage control systems and distribution.
- Excellent resistance to mechanical impact and aggressive chemicals.
- Raised mounting points prevent build up of materials behind enclosure body.
- Capable of withstanding temperatures -30°C to 120°C.
- Conformity, Approvals:
 - UL94, V1 rating
 - IEC695-2-1:960° Glow Wire Test
- Manufactured from UV stabilised glass reinforced polyester (opaque lid) and polycarbonate (transparent lid).
- Light Grey RAL7035.

- Comes standard with:
- Insulated mounting pan
 - Thermoplastic screws



ORDERING GUIDE

Part Number		Dimensions (mm)								Weight (kg)
		External				Internal		Mounting Centres		
Opaque	Transparent	Height (A)	Width (B)	Depth (C)	Cover Depth (D)	Usable Depth (E)	Height (F)	Width (G)		
PC131313*	PC131313T*	135	135	130	20	110	115	115	0.6	
PC181313*	PC181313T*	180	135	130	20	110	160	115	0.8	
PC181813*	PC181813T*	180	180	130	20	110	160	160	1.0	
PC271313*	PC271313T*	270	135	130	20	110	253	115	1.1	
PC271817	PC271817T	270	180	170	42	150	245	155	1.7	
PC272717	PC272717T	270	270	170	42	150	245	245	2.3	
PC361817	PC361817T	360	180	170	42	150	335	155	2.2	
PC362717	PC362717T	360	270	170	42	150	335	245	2.9	
PC363617	PC363617T	360	360	170	42	150	335	335	3.6	
PC542717	PC542717T	540	270	170	42	150	515	245	4.1	
PC543617	PC543617T	540	360	170	42	150	515	335	5.5	
PC545417	PC545417T	540	540	170	42	150	515	515	8.0	
PC362720	PC362720T	360	270	205	72	180	335	245	3.2	
PC363620	PC363620T	360	360	205	72	180	335	335	3.9	
PC542720	PC542720T	540	270	205	72	180	515	245	5.0	
PC543620	PC543620T	540	360	205	72	180	515	335	6.0	
PC545420	PC545420T	540	540	205	72	180	515	515	8.5	
PC723620	PC723620T	720	360	205	72	180	695	335	8.0	
PC725420	PC725420T	720	540	205	72	180	695	515	11.0	

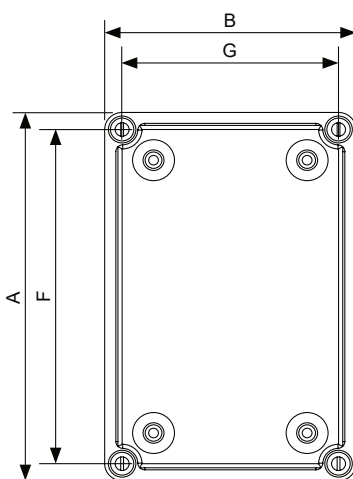
* Opaque parts material is polyamide.



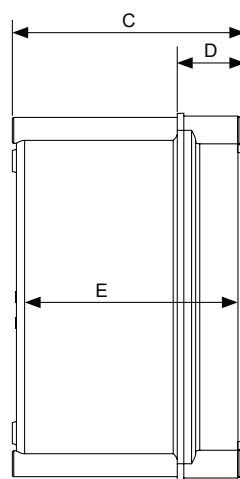
ACCESSORIES

Product	Description	Part Number	Dimensions (mm)			PC131313(T)	PC181313(T)	PC181813(T)	PC271313(T)	PC271817(T)	PC272717(T)	PC361817(T)	PC362717(T)	PC363617(T)	PC542717(T)	PC543617(T)	PC545417(T)	PC362720(T)	PC363620(T)	PC542720(T)	PC543620(T)	PC545420(T)	PC723620(T)	PC725420(T)
			Height	Width	Depth																			
Mounting pan	Insulated	PCBB1813	142	97	3		•																	
		PCBB1818	142	142	3			•																
		PCBB2718	220	130	3					•														
		PCBB2727	220	220	3						•													
		PCBB2736	220	310	3							•							•					
		PCBB3636	310	310	3								•							•				
		PCBB5427	490	220	3									•							•			
		PCBB5436	490	310	3										•							•		
		PCBB5454	490	490	3											•							•	
		PCBB7254	670	490	3																			•
Viewing window	Hinged	PCHW4	94	77	16	•	•	•	•	•	•	•	•	•	•	•	•	•	•	•	•	•	•	•
		PCHW4H	94	77	25	•	•	•	•	•	•	•	•	•	•	•	•	•	•	•	•	•	•	•
		PCHW6	130	77	16	•	•	•	•	•	•	•	•	•	•	•	•	•	•	•	•	•	•	•
		PCHW6H	130	77	25	•	•	•	•	•	•	•	•	•	•	•	•	•	•	•	•	•	•	•
		PCHW8	163	77	16	•	•	•	•	•	•	•	•	•	•	•	•	•	•	•	•	•	•	•
		PCHW8H	163	77	25	•	•	•	•	•	•	•	•	•	•	•	•	•	•	•	•	•	•	•
		PCHW10	200	77	16	•	•	•	•	•	•	•	•	•	•	•	•	•	•	•	•	•	•	•
		PCHW10H	200	77	25	•	•	•	•	•	•	•	•	•	•	•	•	•	•	•	•	•	•	•
		PCHW12H	233	77	25	•	•	•	•	•	•	•	•	•	•	•	•	•	•	•	•	•	•	•
		PCHW24	233	196	13	•	•	•	•	•	•	•	•	•	•	•	•	•	•	•	•	•	•	•
		PCHW36	235	247	13	•	•	•	•	•	•	•	•	•	•	•	•	•	•	•	•	•	•	•
		Depth spacer	-	PCFD5427	-	-	62.5							•	•					•	•			
PCFD5436	-			-	62.5										•						•			
PCFD5454	-			-	125												•					•		
Rigid hinge	Pair	PCEH	-	-	-	•	•	•	•	•	•	•	•	•	•	•	•	•	•	•	•	•		
Internal hinge	Each	PCIH	-	-	-	•	•	•	•	•	•	•	•	•	•	•	•	•	•	•	•	•		
Screws	Large, slotted	PCSD18	-	-	-	•	•	•	•	•	•	•	•	•	•	•	•	•	•	•	•	•		
Vent valve kit	Pair	PCVV	-	-	-	•	•	•	•	•	•	•	•	•	•	•	•	•	•	•	•	•		

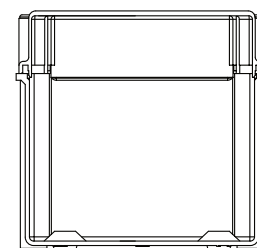
TECHNICAL DRAWINGS



Front View



Side View



Side Section with Internals

Polynova PM

Modular Enclosures & Distribution System



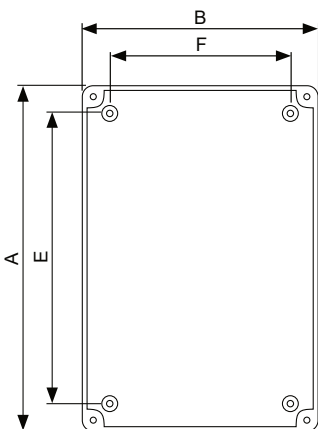
- Suitable for general electrical applications including power distribution, junction and marshalling, process control and automation.
 - Designed for use as an individual enclosure or arranged in combinations to form complete distribution banks.
 - Modularity allows for changing depth without comprising the IP rating.
 - Capable of withstanding temperatures -25°C to 120°C.
 - Conformity, Approvals:
 - UL94, V1 rating
 - IEC695:960° Glow Wire Test
 - Manufactured from UV stabilised polycarbonate.
 - Light Grey RAL7035.
- Comes standard with:
- Insulated mounting pan
 - Thermoplastic screws



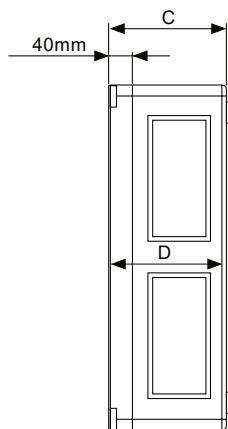
ORDERING GUIDE

Part Number		Dimensions (mm)							Weight (kg)
		External		Internal		Mounting Pan			
Opaque	Transparent	Height (A)	Width (B)	Depth (C)	Usable Depth (D)	Height (E)	Width (F)		
PM2718	PM2718/T	270	180	165	140	200	110	1.5	
PM2727	PM2727/T	270	270	165	140	200	200	2.0	
PM3627	PM3627/T	360	270	165	140	290	200	2.6	
PM5427	PM5427/T	540	270	165	140	470	200	3.7	
PM5436	PM5436/T	540	360	165	140	470	290	5.0	

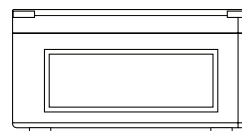
TECHNICAL DRAWINGS



Front View



Side View



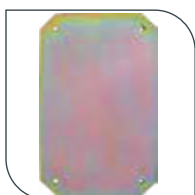
Bottom View



ACCESSORIES

Product	Description	Catalogue No.	Dimensions (mm)			PM2718(T)	PM2727(T)	PM3627(T)	PM5427(T)	PM5436(T)
			Height	Width	Thick					
Mounting pan	Metal	PM2718/M	240	150	2	•				
		PM2727/M	240	240	2		•			
		PM3627/M	330	240	2			•		
		PM5427/M	510	240	2				•	
		PM5436/M	510	330	2					•
Mounting pan	Insulated	PM2718/I	240	150	2	•				
		PM3627/I	330	240	2			•		
		PM5427/I	510	240	2				•	
		PM5436/I	510	330	2					•
Mounting pan spacers	20mm offset M8	PM/RS20	-	-	-	•	•	•	•	•
	40mm offset M8	PM/RS40	-	-	-	•	•	•	•	•
	60mm offset M8	PM/RS60	-	-	-	•	•	•	•	•
Depth spacers – non-metallic	55mm	PM2718/S	270	180	-	•				
		PM2727/S	270	270	-		•			
		PM3627/S	360	270	-			•		
		PM5427/S	540	270	-				•	
		PM5436/S	540	360	-					•
Wall-mounting brackets	Set of 4	PM/WMB	-	-	-	•	•	•	•	•
DIN rail – aluminium	215mm long	PM/D2	-	-	-					
	308mm long	PM/D3	-	-	-	•	•	•	•	•
Rail kit – C section (for mounting DIN rail)	215mm long	PM/CR2	-	-	-			•		•
	308mm long	PM/CR3	-	-	-				•	•
	485mm long	PM/CR5	-	-	-				•	•
Gasketjoining kit	for 180mm side	PM/GS18	-	-	-	•				
	for 270mm side	PM/GS27	-	-	-	•	•	•	•	
	for 360mm side	PM/GS36	-	-	-	•	•	•	•	•
Cover fixing accessories	screwdriver slot cover screw	PM/SS	-	-	-	•	•	•	•	•
	screw – flexible hinge, non-metallic	PM/HS	-	-	-	•	•	•	•	•
Hinges – lid	Brass (quantity 1)	PM/HM*	-	-	-	•	•	•	•	•
Gasket for hinging lids	For PM/HM hinges (2 metres)	PM/HG	-	-	-	•	•	•	•	•
Ventilation plugs – nylon	22.2mm diameter	PM/VP22	-	-	-	•	•	•	•	•
Cable sealing box – non-metallic	to suit 180 (H/W) enclosure	PM/CB1	-	-	-	•				
	to suit 270 (H/W) enclosure	PM/CB2	-	-	-	•	•	•	•	
	to suit 360 (H/W) enclosure	PM/CB3	-	-	-			•	•	•

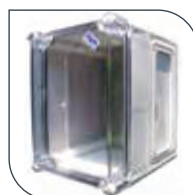
* PM/HG is required when ordering PM/HM to maintain IP rating



Metal mounting pan



Insulated mounting pan



Depth spacers 55mm



Rail kit – C Section

Polynova PN

Hinged Non-Metallic Enclosure System



- Designed for applications that require regular access for maintenance.
- Suitable for termination of electrical circuits, housing electronics and signal infrastructure.
- Easy-to-use latch assembly.
- Hinged and latched lid for easy opening.
- 180° door opening.
- Capable of withstanding temperatures -40°C to 75°C.
- Conformity, Approvals:
 - UL94, V1 rating
 - IEC695:960° Glow Wire Test
- Manufactured from UV stabilised polyester (opaque lid) and polycarbonate (transparent lid).
- Light Grey RAL7035.

Comes standard with:

- Insulated mounting pan
- Latches
- Wall mount brackets

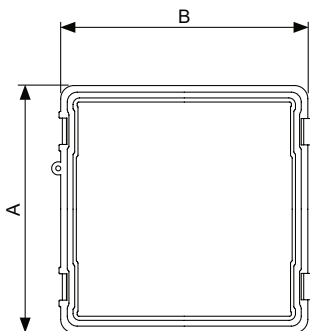


ORDERING GUIDE

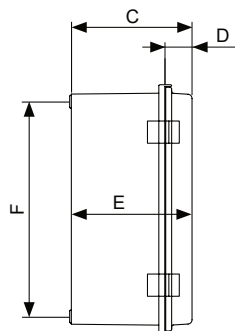
Part Number		Dimensions (mm)								Weight (kg)
		External				Internal	Mounting Centres			
Opaque	Transparent	Height (A)	Width (B)	Depth (C)	Cover Depth (D)	Usable Depth (E)	Height (F)	Width (G)		
PN131007	PN131007T	130	100	70	20	65	96	66	0.2	
PN151007	PN151007T	150	100	70	20	65	116	66	0.2	
PN201007	PN201007T	200	100	70	20	65	166	66	0.3	
PN312013	PN312013T	308	203	132	30	125	256	154	0.9	
PN362515	PN362515T	360	250	150	30	145	310	210	1.9	
PN453516	PN453516T	450	350	160	30	155	402	302	2.2	
PN504020	PN504020T	500	400	200	30	195	454	354	3.2	
PN534320	PN534320T	530	430	200	30	195	457	357	4.3	
PN605025#	PN605025T#	635	535	250	30	245	577	477	7.5	
PN705025#	PN705025T#	735	535	250	30	245	677	477	8.5	

Enclosures supplied with a metal mounting pan as standard

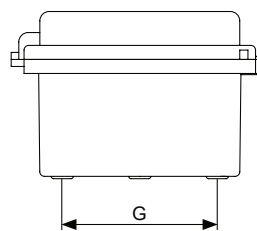
TECHNICAL DRAWINGS



Front View



Side View



Bottom View



Polynova PN

Hinged Non-Metallic Enclosure System



ACCESSORIES

Product	Description	Part Number	Dimensions (mm)			PN131007(T)	PN151007(T)	PN201007(T)	PN312013(T)	PN362515(T)	PN453516(T)	PN504020(T)	PN634320(T)	PN605025(T)	PN705025(T)
			Height	Width	Thick										
Mounting pan	Metal	PN1310/M	96	68	1.6	•									
		PN1510/M	116	68	1.6		•								
		PN2010/M	165	68	1.6			•							
		PN1515/M	124	124	1.6										
		PN3120/M	267	170	1.6				•						
		PN3625/M	361	217	1.6					•					
		PN3929/M	362	265	1.6										
		PN4535/M	420	307	1.6						•				
		PN5040/M	463	362	1.6							•			
		PN5343/M	463	362	1.6								•		
	PN6050/M	565	465	1.6									•		
	PN7050/M	665	465	1.6										•	
	Insulated	PN1310/I	96	68	3.5		•								
		PN1510/I	116	68	3.5			•							
		PN2010/I	165	68	3.5				•						
		PN3120/I	267	170	3.4					•					
		PN3625/I	316	217	4.3						•				
		PN4535/I	420	307	4.3							•			
		PN5040/I	463	362	4.3								•		
PN5343/I		463	362	3.5									•		
PN6050/I		572	472	3.0										•	
PN7050/I	762	472	3.0											•	



Insulated mounting pan

Polynova PU

General Purpose Enclosures & Distribution System



- Suitable for applications in harsh environments and requiring easy visual inspection.
- Suitable for low voltage (LV) double insulated applications.
- Capable of withstanding temperatures -30°C to 120°C.
- Conformity, Approvals:
 - CE Mark
 - IEC695:960° Glow Wire Test
 - UL94, V1 rating
- 3-point locking comes as standard (except PU302514 enclosures).
- Manufactured from UV stabilised glass reinforced polyester (body) and polycarbonate (transparent window).
- Light Grey RAL7035.

Comes standard with:

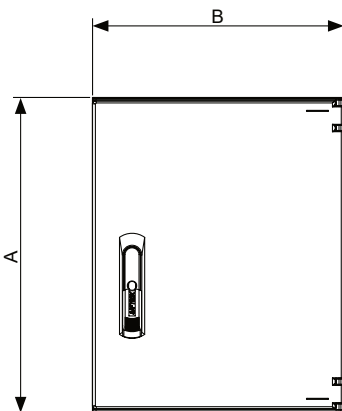
- Insulated mounting pan
- Lockable swing handle keyed to 92268 half euro barrel (except PU302514 & PU302514/W)
- Double bit ¼ turn lock on 300x250x140 enclosures only.



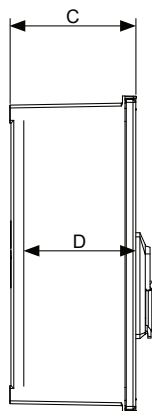
ORDERING GUIDE

Part Number		Dimensions (mm)										Weight (kg)
		External		Internal		Mounting Centres		Window		LockType		
Plain Door	Window Door	Height (A)	Width (B)	Depth (C)	Usable Depth (D)	Height (E)	Width (F)	Height	Width			
PU302514	PU302514/W	300	250	140	113	244	180	190	80	¼ turn	1.9	
PU403020/3L	PU403020/W3L	400	300	200	173	342	230	280	120	3-point	3.6	
PU504020/3L	PU504020/W3L	500	400	200	173	442	330	380	220	3-point	5.0	
PU604023/3L	PU604023/W3L	600	400	230	203	540	330	480	220	3-point	7.0	
PU605023/3L	PU605023/W3L	600	500	230	203	540	430	480	320	3-point	8.0	
PU806030/3L	PU806030/W3L	800	600	300	273	738	530	600	400	3-point	13.0	

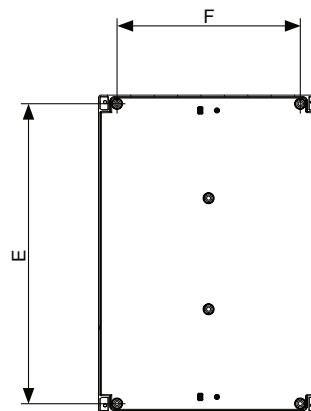
TECHNICAL DRAWINGS



Front View



Side View



Rear View



ACCESSORIES

Product	Description	Part Number	Dimensions (mm)			PU302514	PU403020/3L	PU504020/3L	PU604023/3L	PU605023/3L	PU806030/3L	PU302514W	PU403020/W3L	PU504020/W3L	PU604023/W3L	PU605023/W3L	PU806030/W3L
			Height	Width	Depth												
Mounting pan	Metal	PU3025/M	262	198	2	•						•					
		PU4030/M	360	248	2		•						•				
		PU5040/M	560	348	2			•						•			
		PU6040/M	558	348	2				•						•		
		PU6050/M	558	448	2					•						•	
	PU8060/M	756	548	2						•						•	
	Insulated	PU3025/I	262	198	4	•						•					
		PU4030/I	360	248	4		•						•				
		PU5040/I	560	348	4			•						•			
		PU6040/I	558	348	4				•						•		
PU6050/I		558	448	4					•						•		
PU8060/I	756	548	4						•						•		
Wall-mounting brackets (includes mounting hardware)	Set of 4 (max 50kg)	PU/WMB	-	-	-	•	•	•	•	•	•	•	•	•	•	•	
Depth adjustable spacer	200mm	PU/SDP200	-	-	-	•	•	•				•	•	•			
	230mm	PU/SDP230	-	-	-				•	•				•	•		
	300mm	PU/SDP300	-	-	-						•					•	
Locks (For 300x250x140mm enclosures)	Insert key locking	PU/LCK	-	-	-	•						•					
	Insert 8mm square	PU/LCKS8	-	-	-	•						•					
	Insert 8mm triangle	PU/LCK8T	-	-	-	•						•					
	Padlock attachment	PU/PL	-	-	-	•						•					



Metal mounting pan



Insulated mounting pan



PU/WMB
(Set of 4)



PU/PL



PU/LCK



PU/LCKS8



PU/LCK8T

Polynova PD

General Purpose Enclosures & Distribution System



- Suitable for a variety of general electrical applications.
- 150° door opening for ease of access to internal systems.
- Capable of withstanding temperatures of -40°C to 110°C.
- Conformity, Approvals:
 - UL94, V1 rating
 - IEC695-2-1:960° Glow Wire Test
- Manufactured from UV stabilised glass filled reinforced polyester.
- Light Grey RAL7035.

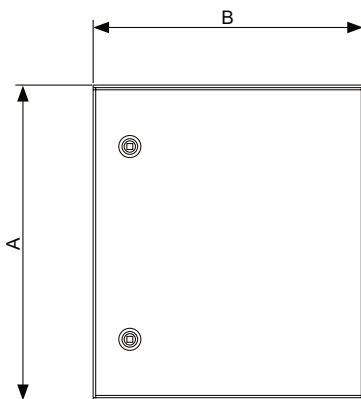
- Comes standard with:
- Insulated mounting pan
 - 8mm triangle lock



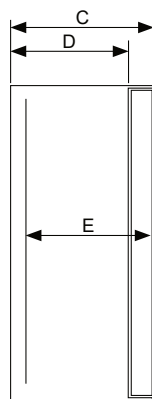
ORDERING GUIDE

Part Number	Dimensions (mm)													Weight (kg)
	External		Internal		Opening Size		Mounting Centres		Mounting Pan			Thick		
	Height (A)	Width (B)	Depth (C)	Usable Depth (D)	Usable Depth (E)	Height (F)	Width (G)	Height	Width	Height				
PD353015	350	300	160	130	126	300	250	269	219	330	245	4	3.8	
PD503020	500	300	200	170	166	450	250	419	219	480	245	4	5.5	
PD504020	500	400	200	170	166	450	350	419	319	480	345	4	6.5	
PD654020	650	400	200	170	166	600	350	569	319	630	345	6	9.0	
PD655025	650	500	250	220	216	600	450	569	419	630	445	6	11.0	
PD806030	800	600	300	270	266	750	550	719	519	780	545	6	18.0	

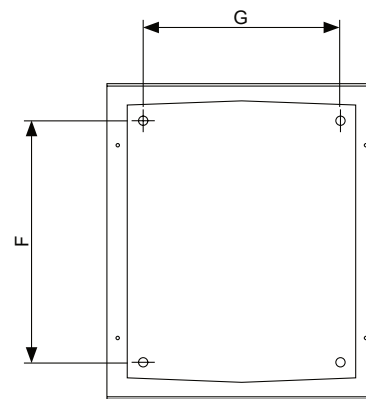
TECHNICAL DRAWINGS



Front View



Side View



Rear View



Polynova PD

General Purpose Enclosures & Distribution System



ACCESSORIES

Product	Description	Part Number	Dimensions (mm)		PD353015	PD503020	PD504020	PD654020	PD655025	PD806030
			Height	Width						
Mounting pan	Metal	PD3530/M	330	243	•					
		PD5030/M	480	243		•				
		PD5040/M	480	343			•			
		PD6540/M	630	343				•		
		PD6550/M	630	443					•	
		PD8060/M	443	543						•
	Insulated	PD3530/I	330	243	•					
		PD5030/I	480	243		•				
		PD5040/I	480	343			•			
		PD6540/I	630	343				•		
		PD6550/I	630	443					•	
		PD8060/I	443	543						•
Hinged escutcheon	Non-Metallic	PD3530/HE	298	247	•					
		PD5030/HE	448	247		•				
		PD5040/HE	448	347			•			
		PD6540/HE	598	347				•		
		PD6550/HE	598	447					•	
		PD8060/HE	748	547						•
DIN rail mounting kit (incl. escutcheon with DIN cutouts)	24 pole	PD3530/D24			•					
	36 pole	PD5030/D36				•				
	54 pole	PD5040/D54					•			
	72 pole	PD6540/D72						•		
Brackets	Wall-mounted (set of 4)	PD/WMB			•	•	•	•	•	•
	Fixed L	PD/LB			•	•	•	•	•	•
Locks	knob, keyed (427)	PD/LCK			•	•	•	•	•	•
	lock insert 3mm double bit pin	PD/LCKDI3			•	•	•	•	•	•
	lock insert 8mm square	PD/LCKS8			•	•	•	•	•	•
	lock insert 8mm triangle	PD/LCK8T			•	•	•	•	•	•
	replacement locktongue	PD/RLT			•	•	•	•	•	•

Forte FR

General Purpose Enclosures



- Often used to house switchgear or components in a variety of applications.
- Designed to be wall-mounted quickly with punched holes on rear as standard.
- 110° door opening
- Manufactured from 1.2mm or 1.6mm thick carbon steel.
- Powdercoated Light Grey RAL7035.

Comes standard with:

- Wall mount brackets
- 2mm steel mounting pan
- Gland plate (200mm deep and above)
- Chromed steel lock with 7mm square steel insert (NI020)
- Earth strap kit



ORDERING GUIDE

Part Number	Dimensions (mm)												
	External		Internal			Mounting Pan		Gland Opening		Opening		Number of Locks	Weight (kg)
	Height (A)	Width (B)	Depth (C)	Thk.	Usable Depth (D)*	Height (E)	Width (F)	Width (G)	Depth (H)	Height (I)	Width (J)		
FR030212	300	200	120	1.2	102	250	150	–	–	–	–	1	3.7
FR030215	300	200	150	1.2	132	250	150	–	–	256	156	1	3.9
FR030315	300	300	150	1.2	132	250	250	–	–	256	256	1	5.3
FR030415	300	400	150	1.2	132	250	350	–	–	256	356	1	6.5
FR040315	400	300	150	1.6	132	350	250	–	–	356	256	1	6.5
FR030320	300	300	200	1.2	180	250	250	250	120	256	256	1	6.5
FR040320	400	300	200	1.6	180	350	250	250	120	356	256	1	9.0
FR050320	500	300	200	1.6	180	450	250	250	120	456	256	1	7.5
FR060320	600	300	200	1.6	180	550	250	250	120	556	256	1	17.0
FR030420	300	400	200	1.6	180	250	350	250	120	256	356	1	7.5
FR040420	400	400	200	1.6	180	350	350	250	120	356	356	1	13.0
FR050420	500	400	200	1.6	180	450	350	250	120	456	356	1	12.0
FR060420	600	400	200	1.6	180	550	350	250	120	556	356	1	17.0
FR070420	700	400	200	1.6	180	650	350	250	120	656	356	2	23.0
FR050520	500	500	200	1.6	180	450	450	440	120	456	456	1	14.0
FR060620	600	600	200	1.6	180	550	550	440	120	556	556	1	17.0
FR080620■	800	600	200	1.6	180	750	550	440	120	756	556	2	30.0
FR040430	400	400	300	1.6	280	350	350	250	120	356	356	1	20.0
FR060430	600	400	300	1.6	280	550	350	250	120	556	356	1	20.0
FR050530	500	500	300	1.6	280	450	450	440	120	456	456	1	20.0
FR060630	600	600	300	1.6	280	550	550	440	120	556	556	1	27.0
FR080630■	800	600	300	1.6	280	750	550	440	120	756	556	2	34.0
FR100630■	1000	600	300	1.6	280	950	550	440	120	956	556	2	41.0
FR120630■	1200	600	300	1.6	280	1150	550	440	120	1156	556	2	42.0
FR100830^	1000	800	300	1.6	280	950	750	440	120	956	556	2	52.0
FR120830^	1200	800	300	1.6	280	1150	750	440	120	1156	756	2	61.0
FR100840^	1000	800	400	1.6	382	950	750	440	120	956	556	2	63.0
FR120840^	1200	800	400	1.6	382	1150	750	440	120	1156	756	2	65.0

* From mounting pan to inside of door

■ Includes vertical door rails

^ Includes horizontal and vertical door rails



For more information
« brenclosures.com.au/fr.htm

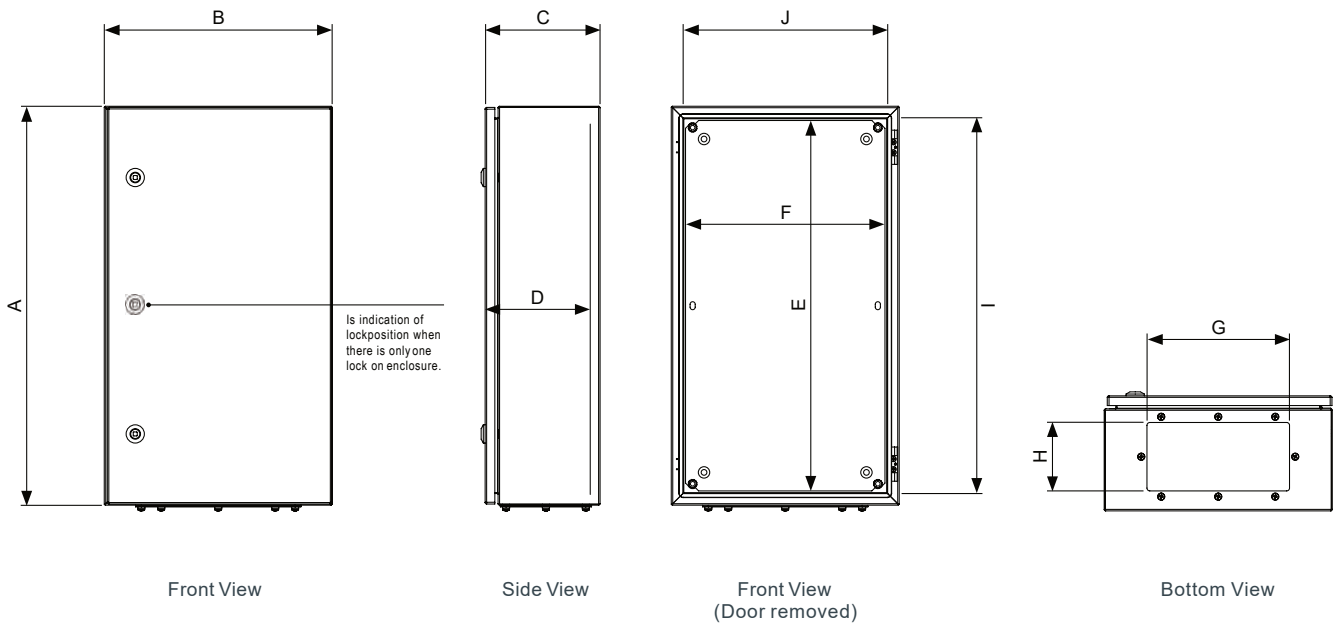
ACCESSORIES

Product	Part Number	Dimensions (mm)		FR030212	FR030215	FR030315	FR030415	FR040315	FR030320	FR040320	FR050320	FR060320	FR030420	FR040420	FR050420	FR060420	FR070420	FR050520	FR060620	FR080620	FR040430	FR060430	FR050530	FR060630	FR080630	FR100630	FR120630	FR100830	FR120830	FR100840	FR120840
		Height	Width																												
External vent kit (RAL7035)	IPVK/LG	130	130	^	
Touch up paint (Light Grey RAL7035)	TUP/P29	-	-	

^ Fits door only.

i See Page 34 for a range of lock options available for the Forte FR range.

TECHNICAL DRAWINGS



Universal NI – Zinc Coated Steel

General Purpose Enclosures



- Built for industrial and demanding environments.
- Threaded sockets on the rear of the enclosure to allow mounting feet attachment without compromising the IP rating.
- 120° door opening for ease of access to internal systems.
- Conformity, Approvals:
 - CE Mark
 - Lloyds Register #06/10007 (E2)
- Manufactured from 1.2/1.6mm thick zinc coated steel.
- Powdercoated Pebble Grey RAL7032 or X15 Orange.

Comes standard with:

- 2mm steel mounting pan powdercoated white
- Gland plate (200mm deep and above)
- Chromed steel lock with 7mm square steel insert (NI020)
- Door rails
- Earth strap kit



ORDERING GUIDE

Part Number		Dimensions (mm)										Material Thickness (mm)	Weight (kg)
		External			Internal	Mounting Pan		Gland Opening		No. of Fixing Points (Suits M8 fixings)			
Standard	X15 Orange	Height (A)	Width (B)	Depth (C)	Usable Depth (D)*	Height (E)	Width (F)	Width (G)	Depth (H)				
NI03021	NI03021/RO	300	200	150	125	250	150	–	–	4	1.2	3.9	
NI03031	NI03031/RO	300	300	150	125	250	250	–	–	4	1.2	5.0	
NI03041	NI03041/RO	300	400	150	125	250	350	–	–	4	1.2	6.5	
NI04032■	NI04032/RO■	400	300	200	175	350	250	250	120	4	1.6	8.0	
NI03042	NI03042/RO	300	400	200	175	250	350	250	120	4	1.6	7.5	
NI04042■	NI04042/RO■	400	400	200	175	350	350	250	120	4	1.6	12.0	
NI05042■	NI05042/RO■	500	400	200	175	450	350	250	120	4	1.6	14.0	
NI06042■	NI06042/RO■	600	400	200	175	550	350	250	120	4	1.6	17.0	
NI05052■	NI05052/RO■	500	500	200	175	450	450	440	120	4	1.6	17.0	
NI04062■	NI04062/RO■	400	600	200	175	350	550	440	120	4	1.6	16.0	
NI06062■	NI06062/RO■	600	600	200	175	550	550	440	120	4	1.6	23.0	
NI08062■	NI08062/RO■	800	600	200	175	750	550	440	120	6	1.6	30.0	
NI10062■	NI10062/RO■	1000	600	200	175	950	550	440	120	6	1.6	37.0	
NI04043■	NI04043/RO■	400	400	300	275	350	350	250	120	4	1.6	14.0	
NI06043■	NI06043/RO■	600	400	300	275	550	350	250	120	4	1.6	20.0	
NI04063■	NI04063/RO■	400	600	300	275	350	550	440	120	4	1.6	19.0	
NI06063■	NI06063/RO■	600	600	300	275	550	550	440	120	4	1.6	27.0	
NI08063■	NI08063/RO■	800	600	300	275	750	550	440	120	6	1.6	34.0	
NI10063■	NI10063/RO■	1000	600	300	275	950	550	440	120	6	1.6	41.0	
NI08083^	NI08083/RO^	800	800	300	275	750	750	440	120	6	1.6	43.0	
NI10083^	NI10083/RO^	1000	800	300	275	950	750	440	120	6	1.6	52.0	
NI12083^	NI12083/RO^	1200	800	300	275	1150	750	440	120	6	1.6	61.0	

* Mounting pan to inside of door

■ Includes vertical door rails

^ Includes horizontal and vertical door rails



Universal NI – Zinc Coated Steel

General Purpose Enclosures



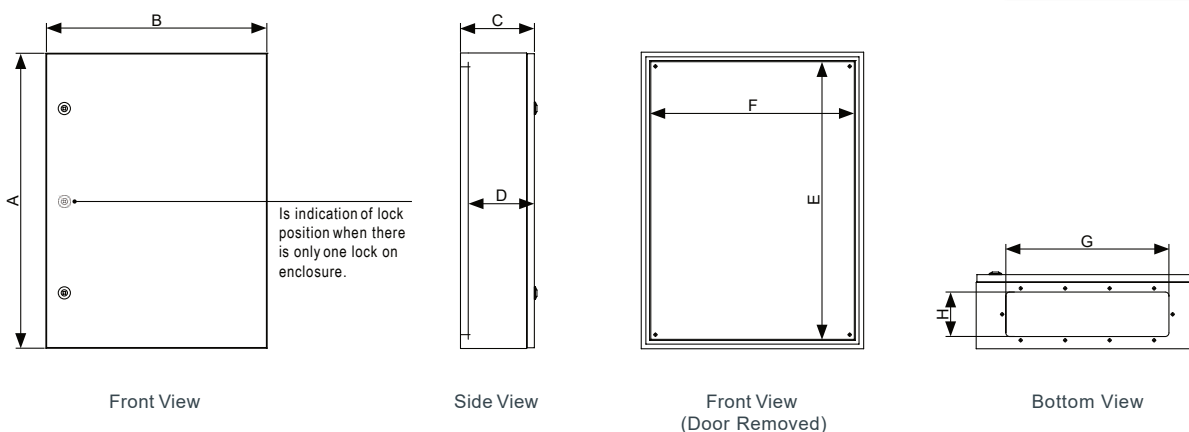
ACCESSORIES

Product	Description	Part Number	Dimensions (mm)			NI03021 (RO)	NI03031 (RO)	NI03041 (RO)	NI04032 (RO)	NI03042 (RO)	NI04042 (RO)	NI05042 (RO)	NI06042 (RO)	NI05052 (RO)	NI04062 (RO)	NI06062 (RO)	NI08062 (RO)	NI10062 (RO)	NI04043 (RO)	NI06043 (RO)	NI08063 (RO)	NI10063 (RO)	NI08083 (RO)	NI10083 (RO)	NI12083 (RO)	
			Height	Width	Depth																					
Rainhoods	Zinc coated steel	NIRH021	30	175.6	65	•																				
		NIRH031	30	275.6	65	•																				
		NIRH032	30	275.6	105		•																			
		NIRH041	30	375.6	65		•																			
		NIRH042	30	375.6	105				•	•	•	•														
		NIRH043	30	375.6	220															•	•					
		NIRH052	30	475.6	105									•												
		NIRH062	30	575.6	105										•	•	•	•								
		NIRH063	30	575.6	220																	•	•	•	•	
		NIRH082	30	775.6	105																					
NIRH083	30	775.6	220																			•	•	•		
External vent kits – Zinc coated steel	Pebble Grey RAL7032	IPVK	130	130	–	^	^	^	•	•	•	•	•	•	•	•	•	•	•	•	•	•	•	•		
		IPVK16	260	260	–	^	^	^	^	^	^	^	^	^	^	^	^	^	^	^	^	^	^	^		
		X15 Orange	IPVK/RO	130	130	–	^	^	^	•	•	•	•	•	•	•	•	•	•	•	•	•	•	•		
Wall mounting brackets – 316 stainless steel	Set of 4 (1Tonne SWL)	MEB/S	–	–	–	•	•	•	•	•	•	•	•	•	•	•	•	•	•	•	•	•	•			
		MF2/S	75	200	–	•																				
Mounting flange kit – 316 stainless steel		MF3/S	75	300	–	•																				
		MF4/S	75	400	–		•	•																		
		MF5/S	75	500	–		•	•	•	•																
		MF6/S	75	600	–						•	•									•	•				
		MF8/S	75	800	–																	•	•	•		
		Gland plates	6mm aluminium	SRAGP6/2	290	160	–				•	•	•													
SRAGP6/3	480			160	–								•	•	•	•	•	•								
3mm brass	SRBGP3/2		290	160	–				•	•	•															
	SRBGP3/3		480	160	–								•	•	•	•	•	•								
6mm brass	SRBGP6/2		290	160	–				•	•	•															
	SRBGP6/3		480	160	–								•	•	•	•	•	•								
Replacement Hinge	Kit	NI/H	–	–	–	•	•	•	•	•	•	•	•	•	•	•	•	•	•	•	•	•				
Touch Up Paint (300g)	Pebble Grey RAL7032	TUP/P20	–	–	–	•	•	•	•	•	•	•	•	•	•	•	•	•	•	•	•	•				
	X15 Orange	TUP/P24	–	–	–	•	•	•	•	•	•	•	•	•	•	•	•	•	•	•	•	•				

^ Fits door only

i See Page 34 for a range of lock options available for the Universal NI range.

TECHNICAL DRAWINGS



Universal NI – 316 Stainless Steel

General Purpose Enclosures



- Built for industrial and demanding environments.
- Threaded sockets on the rear of the enclosure to allow mounting feet attached without compromising the IP rating.
- 120° door opening for ease of access to internal systems.
- Conformity, Approvals:
 - CE Mark
 - Lloyds Register #06/10007 (E2)
- Manufactured from 1.2/1.5mm thick 316 stainless steel.
- N4 surface finish.

Comes standard with:

- 2mm steel mounting pan powdercoated white
- Stainless steel lock with 7mm square stainless steel insert (NI020/S)
- Door rails
- Earth strap kit



ORDERING GUIDE

Part Number	Dimensions (mm)						No. of Fixing Points (Suits M8 fixings)	Material Thickness (mm)	Weight (kg)
	External		Internal		Mounting Pan				
	Height (A)	Width (B)	Depth (C)	Usable Depth (D)*	Height (E)	Width (F)			
NI03021/S	300	200	150	125	250	150	4	1.2	3.9
NI03031/S	300	300	150	125	250	250	4	1.2	5.3
NI03041/S	300	400	150	125	250	350	4	1.2	6.8
NI04031/S	400	300	150	125	350	250	4	1.5	6.7
NI04032/S■	400	300	200	175	350	250	4	1.5	9.0
NI03042/S	300	400	200	175	250	350	4	1.2	9.0
NI04042/S■	400	400	200	175	350	350	4	1.5	11.0
NI05042/S■	500	400	200	175	450	350	4	1.5	14.0
NI06042/S■	600	400	200	175	550	350	4	1.5	16.0
NI05052/S■	500	500	200	175	450	450	4	1.5	16.0
NI04062/S■	400	600	200	175	350	550	4	1.5	16.0
NI06062/S■	600	600	200	175	550	550	4	1.5	22.0
NI08062/S■	800	600	200	175	750	550	6	1.5	29.0
NI10062/S■	1000	600	200	175	950	550	6	1.5	28.0
NI10082/S■	1000	800	200	175	950	750	4	1.5	45.0
NI04043/S■	400	400	300	275	350	350	4	1.5	19.0
NI06043/S■	600	400	300	275	550	350	4	1.5	19.0
NI04063/S■	400	600	300	275	350	550	4	1.5	19.0
NI06063/S■	600	600	300	275	550	550	4	1.5	25.0
NI08063/S■	800	600	300	275	750	550	6	1.5	32.0
NI10063/S■	1000	600	300	275	950	550	6	1.5	39.0
NI08083/S^	800	800	300	275	750	750	6	1.5	41.0
NI10083/S^	1000	800	300	275	950	750	6	1.5	49.0
NI12083/S^	1200	800	300	275	1150	750	8	1.5	58.0

* Mounting pan to inside of door

■ Includes vertical door rails

^ Includes horizontal and vertical door rails



Universal NI – 316 Stainless Steel

General Purpose Enclosures



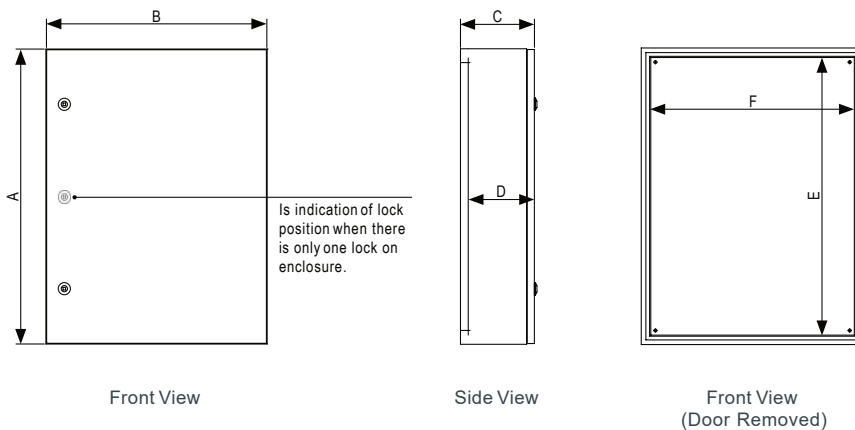
ACCESSORIES

Product	Description	Part Number	Dimensions (mm)																										
			Height	Width	Depth	NI03021/S	NI03031/S	NI03041/S	NI04031/S	NI04032/S	NI03042/S	NI04042/S	NI05042/S	NI06042/S	NI05052/S	NI04062/S	NI06062/S	NI08062/S	NI10062/S	NI10082/S	NI04043/S	NI06043/S	NI06063/S	NI08063/S	NI10063/S	NI08083/S	NI10083/S	NI12083/S	
Rainhoods	316 stainless steel	NIRH021/S	30	175.6	65	•																							
		NIRH031/S	30	275.6	65		•	•																					
		NIRH032/S	30	275.6	105				•																				
		NIRH041/S	30	375.6	65			•																					
		NIRH042/S	30	375.6	105						•	•	•	•															
		NIRH043/S	30	375.6	220																	•	•						
		NIRH052/S	30	475.6	105																		•						
		NIRH062/S	30	575.6	105																		•	•	•	•			
		NIRH063/S	30	575.6	220																					•	•	•	•
NIRH082/S	30	775.6	105																										
NIRH083/S	30	775.6	220																								•	•	
External vent kits	316 stainless steel	IPVK/S	130	130	–	^	^	^	•	•	•	•	•	•	•	•	•	•	•	•	•	•	•	•	•	•	•	•	
		IPVK16/S	260	260	–	^	^	^	^	^	^	^	^	^	^	^	^	^	^	^	^	^	^	^	^	^	^	^	
Wall mounting brackets – 316 stainless steel	Set of 4 (1Tonne SWL)	MEB/S	–	–	–	•	•	•	•	•	•	•	•	•	•	•	•	•	•	•	•	•	•	•	•	•	•		
Mounting flange kits	316 stainless steel	MF2/S	75	200	–	•																							
		MF3/S	75	300	–		•	•																					
		MF4/S	75	400	–			•		•	•	•												•	•				
		MF5/S	75	500	–																								
		MF6/S	75	600	–																								
MF8/S	75	800	–																										
Replacement Hinge	Kit	NI/H	–	–	–	•	•	•	•	•	•	•	•	•	•	•	•	•	•	•	•	•	•	•	•	•			

^ Fits door only

i See Page 34 for a range of lock options available for the Universal NI range.

TECHNICAL DRAWINGS



Locks

To suit Forte FR and Universal NI enclosures

Standard Single Point Locks

Enclosure		
Forte FR	NI020 – chromed steel with 7mm square insert.	–
Universal NI		NI020/S – stainless steel lock with 7mm square stainless steel insert.

Single Point Lock Options

There are a number of additional lock options available that are suitable for use on Forte FR and Universal NI enclosures. Contact your local B&R sales representative to discuss your requirements.

Product	Description	Part Number	Standard Lock/Insert	Alternative insert	Keys		
					Lockable handles	Plastic, 3-way	Aluminium, 4-way
Turnbuckle	chromed steel	NI020	7mm square – steel	See below		SKU	SKZ
	powdercoated	NI020/PS	7mm square – stainless steel	See below		SKU	SKZ
	stainless steel	NI020/S	7mm square – stainless steel	See below		SKU	SKZ
		NI028/S	8mm square slotted – stainless steel	See below			SK8
Wing knob	lockable	NI030	Key code 92268			SK3	
	lockable	NI030/CL001	Key code CL001				
	lockable	NI/L003	Key code L003				
	non-lockable	NI111	–				
T-handle	lockable	NI040	Key code 92268			SK3	
L-handle	lockable	NI050	Key code 92268			SK3	
	padlockable – steel	NI052	–				
	padlockable – stainless steel	NI052/S	–				
Dust cap	plastic	NI020/DC	to suit NI020 lock				



Lock Inserts for NI020 Locks

The NI020 locks are available with an optional lock insert. Contact your local B&R sales representative to discuss your requirements.

To suit lock style	Description	To suit lock	Standard Insert	3mm double bit pin		8mm square		8mm triangle	
				Steel	Stainless Steel	Steel	Stainless Steel	Stainless Steel	Steel
Turnbuckle	chromed steel	NI020	7mm square – steel	LKINS3P		LKINS8S		LKINS8SS/S	LKINS8T
	powdercoated with SS insert	NI020/PS	7mm square – stainless steel		LKINS3P/S		LKINS8S/S	LKINS8SS/S	LKINS8T/S
	stainless steel	NI020/S	7mm square – stainless steel		LKINS3P/S		LKINS8S/S	LKINS8SS/S	LKINS8T/S
Key required – aluminium			SKZ	SKZ	SKZ	SKZ	SKZ	SKZ	SKZ
Key required – plastic			SKU	SKU	SKU	SKU	SKU	SKU	SKU

Project Profile

BHP Olympic Dam Northwest Adelaide, SA



BHP wanted to create a fibre enclosure hub which would be used to link a fibre ring underground with the surface.



Olympic Dam mine is a large polymetallic mine located in South Australia, approximately 550km Northwest of Adelaide.

Home to a major source of oxide copper gold deposit, Olympic Dam produces combined quantities of Copper, Gold, Uranium and Silver through an underground mining system integrated with a metallurgical processing plant.

The deposit was discovered in 1975 and the mine was opened in 1988 by WMC Resources. BHP gained control of this mine in mid-2005.



“ B&R were able to design and supply an enclosure that was 100% fit-for-purpose, which made for a seamless installation. ”

MPS Building & Electrical, a local contractor based in Roxby Downs, provide a wide range of domestic, commercial and industrial mining services to the Roxby Downs community and surrounding areas.

MPS contacted B&R to assist with finding a solution to a fibre enclosure hub capable of linking four mining shafts to the surface.

B&R's design and engineering team worked closely with MPS Building & Electrical to create an enclosure specific to BHP's requirements. The customised solution was supplied through Auslec Electrical and Data located in Wingfield.

B&R designed a double door stainless steel field cabinet which was 1000mm deep and capable of housing electrical and monitoring equipment.

Due to the remote location of the project and the type of equipment installed, sunshades and lockable handles were included to reduce heat within the enclosure and prevent vandalism.

B&R have worked alongside BHP and MPS Building & Electrical on past projects, installing enclosure solutions into a variety of different applications.

B&R's ability to design custom solutions along with their reliable service meant MPS Building & Electrical could confidently deliver this project and supply an enclosure suitable for harsh mining environments.

B&R and MPS look forward to working together again. This enclosure was specifically designed for this project and is being considered as a standard for future installations.



For more information
« brenclosures.com.au/project/bhp-olympic-dam

Connector TE – Zinc Coated Steel Termination Enclosures



- Suitable for housing terminations, pushbuttons or switchgear in industrial or demanding environments.
- Designed for installations where smaller enclosures are required.
- Captive 316 stainless steel combo head screws, used to prevent loss when fastening.
- Provision for mounting DIN rails or a mounting pan, increasing application flexibility.
- Conformity, Approvals:
Lloyds Register #06/10007 (E2)
- Manufactured from 1.2mm thick zinc coated steel.
- Powdercoated Pebble Grey RAL7032.

Comes standard with:

- Earth strap kit

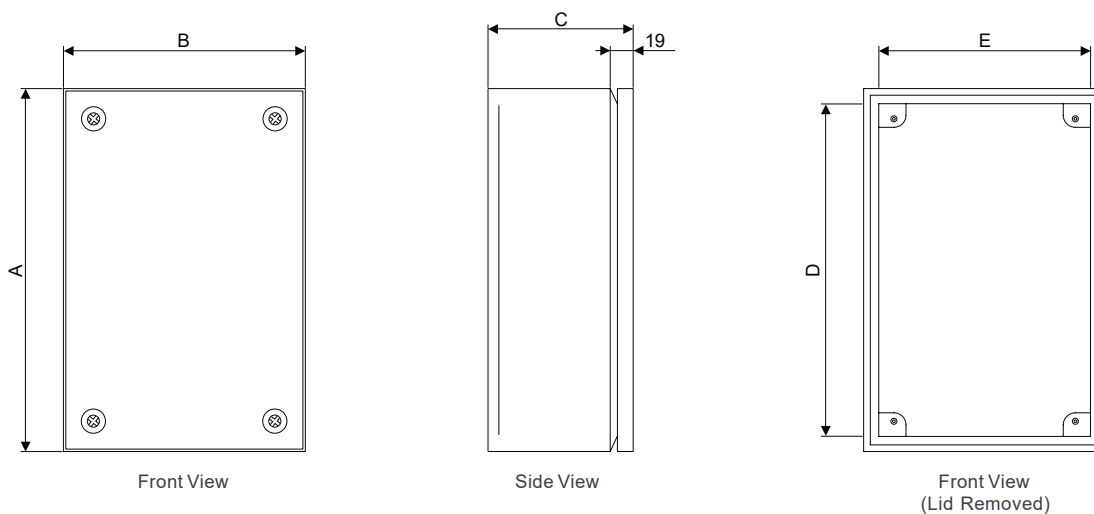


ORDERING GUIDE

Part Number	Dimensions (mm)							
	External		Useable Depth			Opening Size		Weight (kg)
	Height (A)	Width (B)	Depth (C)	With DIN Rail*	With Mounting Pan*	Height (D)	Width (E)	
TE1108	150	150	80	47	60	125	125	1.2
TE3112	300	150	120	87	100	275	125	2.4
TE2212	200	200	120	87	100	175	175	2.2
TE3212	300	200	120	87	100	275	175	2.9
TE4212	400	200	120	87	100	375	175	3.6
TE6212	600	200	120	87	100	575	175	4.9

* Mounting pan and DIN rail are available as optional extra

TECHNICAL DRAWINGS



Connector TE – Zinc Coated Steel Termination Enclosures



ACCESSORIES

Product	Description	Part Number	Dimensions (mm)		TE1108	TE3112	TE2212	TE3212	TE4212	TE6212
			Height	Width						
Mounting pan – metal (powdercoated white)	2mm	TEMP11	123	120	•					
		TEMP22	173	170			•			
		TEMP31	273	120		•				
		TEMP32	273	170				•		
		TEMP42	373	170					•	
		TEMP62	573	170						•
DIN Rail	Aluminium	TED1	140	35	•					
		TED2	190	35			•			
		TED3	290	35		•	•			
		TED4	390	35					•	
		TED6	590	35						•
		Wall mounting brackets – 316 stainless steel	Set of 4 (1 Tonne SWL)	MEB/S	–	–	•	•	•	•
Touch up paint (300g)	Pebble Grey RAL7032	TUP/P20	–	–	•	•	•	•	•	•



Metal mounting pan



DIN Rail



MEB/S (set of 4)

Connector TE – 316 Stainless Steel Termination Enclosures



- Suitable for housing terminations, pushbuttons or switchgear in industrial or demanding environments.
- Designed for installations where smaller enclosures are required.
- Captive 316 stainless steel combo head screws, used to prevent loss when fastening.
- Provision for mounting DIN rails or a mounting pan, increasing application flexibility.
- Conformity, Approvals:
Lloyds Register #06/10007 (E2)
- Manufactured from 1.2mm thick 316 stainless steel.
- Powdercoated N4 surface finish.

Comes standard with:

- Earth strap kit

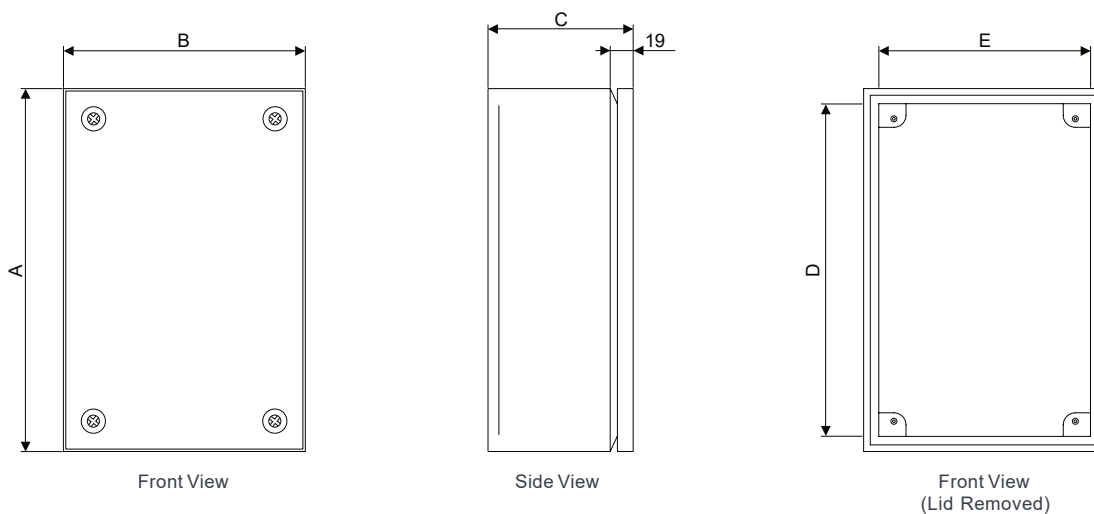


ORDERING GUIDE

Part Number	Dimensions (mm)								Weight (kg)
	External			Useable Depth		Opening Size			
	Height (A)	Width (B)	Depth (C)	With DIN Rail*	With Mounting Pan*	Height (D)	Width (E)		
TE1108/S	150	150	80	47	60	125	125	1.2	
TE3112/S	300	150	120	87	100	275	125	2.4	
TE2212/S	200	200	120	87	100	175	175	2.2	
TE3212/S	300	200	120	87	100	275	175	2.9	
TE4212/S	400	200	120	87	100	375	175	3.6	
TE6212/S	600	200	120	87	100	575	175	4.9	

* Mounting pan and DIN rail are available as optional extra

TECHNICAL DRAWINGS



Connector TE – 316 Stainless Steel Termination Enclosures



ACCESSORIES

Product	Description	Part Number	Dimensions (mm)		TE1108/S	TE3112/S	TE2212/S	TE3212/S	TE4212/S	TE6212/S
			Height	Width						
Mounting pan – 2mm (powdercoated white)	Metal	TEMP11	123	120	•					
		TEMP22	173	170		•				
		TEMP31	273	120		•				
		TEMP32	273	170				•		
		TEMP42	373	170					•	
		TEMP62	573	170						•
DIN Rail	Aluminium	TED1	140	35	•					
		TED2	190	35		•				
		TED3	290	35		•	•			
		TED4	390	35					•	
		TED6	590	35						•
Wall mounting brackets – 316 stainless steel	Set of 4 (1 Tonne SWL)	MEB/S	–	–	•	•	•	•	•	•



Metal mounting pan



DIN Rail



MEB/S (set of 4)

Connector TEMF

Termination Enclosures with Mounting Flanges



- Suitable for housing terminations, pushbuttons or switchgear in industrial or demanding environments.
- Designed for applications where a smaller enclosure is required.
- Captive 316 stainless steel combo head screws to prevent loss when fastening.
- Provision for mounting DIN rails or a mounting pan, increasing application flexibility.
- Conformity, Approvals:
Lloyds Register #06/10007 (E2)
- Manufactured from 1.2mm thick 316 stainless steel.
- N4 surface finish.

Comes standard with:

- Earth strap kit

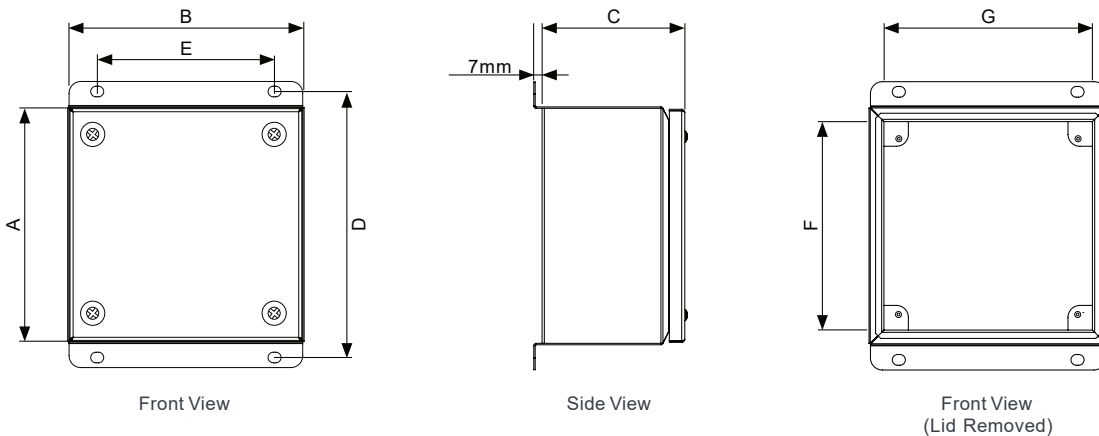


ORDERING GUIDE

Part Number	Dimensions (mm)									
	External			Useable Depth		Mounting Centres		Opening		Weight (kg)
	Height (A)	Width (B)	Depth (C)	With DIN Rail*	With Mounting Pan*	Height (D)	Width (E)	Height (F)	Width (G)	
TE1108MF/S	150	150	80	47	60	175	100	125	125	1.4
TE3112MF/S	300	150	120	87	100	325	100	275	125	2.6
TE2212MF/S	200	200	120	87	100	225	150	175	175	2.4
TE3212MF/S	300	200	120	87	100	325	150	275	175	3.1
TE4212MF/S	400	200	120	87	100	425	150	375	175	3.8
TE6212MF/S	600	200	120	87	100	625	150	575	175	5.0

* Mounting pan and DIN rail are an optional extra

TECHNICAL DRAWINGS



Connector TEMF

Termination Enclosures with Mounting Flanges



ACCESSORIES

Product	Description	Part Number	Dimensions (mm)		TE1108MF/S	TE3112MF/S	TE2212MF/S	TE3212MF/S	TE4212MF/S	TE6212MF/S
			Height	Width						
Mounting pan – 2mm (powdercoated white)	Metal	TEMP11	123	120	•					
		TEMP22	173	170		•				
		TEMP31	273	120		•				
		TEMP32	273	170			•			
		TEMP42	373	170				•		
		TEMP62	573	170					•	
DIN Rail	Aluminium	TED1	140	35	•					
		TED2	190	35		•				
		TED3	290	35		•	•			
		TED4	390	35				•		
		TED6	590	35					•	



Metal mounting pan



DIN Rail

Universal DD – Zinc Coated Steel

Double Door Enclosures



- Suitable for industrial or demanding conditions.
- No centre mullion —extremely easy to access all equipment mounted on the included mounting pan.
- 180° opening doors.
- Conformity, Approvals:
 - Lloyds Register #06/10007 (E2)
- Manufactured from 1.6mm thick zinc coated steel.
- Powdercoated Pebble Grey RAL7032.

Comes standard with:

- 2mm steel mounting pan powdercoated white
- Gland plates fitted internally or externally – dual on 1200mm wide
- Door rails
- Chromed steel lock with 7mm square steel insert (DD020) on units below 1600mm high
- Lockable L handle keyed to 92268 (DD050) on units 1600mm and above
- Earth strap kit



ORDERING GUIDE

Part Number	Dimensions (mm)								No. of Gland Plates	Weight (kg)
	External		Internal	Mounting Pan	Opening		Height (G)	Width (H)		
	Height (A)	Width (B)	Depth (C)	Usable Depth* (D)	Height (E)	Width (F)				
DD10103	1000	1000	300	250	940	915	940	920	1	67.0
DD12103	1200	1000	300	250	1140	915	1140	920	1	78.0
DD16104	1600	1000	400	350	1540	915	1540	920	1	108.0
DD18104	1800	1000	400	350	1740	915	1740	920	1	119.0
DD20104	2000	1000	400	350	1940	915	1940	920	1	131.0
DD12124	1200	1200	400	350	1140	1115	1140	1120	2	98.0
DD16124	1600	1200	400	350	1540	1115	1540	1120	2	125.0
DD18124	1800	1200	400	350	1740	1115	1740	1120	2	138.0
DD20124	2000	1200	400	350	1940	1115	1940	1120	2	152.0
DD18125	1800	1200	500	450	1740	1115	1740	1120	2	147.0
DD20125	2000	1200	500	450	1940	1115	1940	1120	2	161.0

* Mounting pan to inside of door



See Page 72 for a range of lock options available for the Universal DD range.



Universal DD – Zinc Coated Steel

Double Door Enclosures

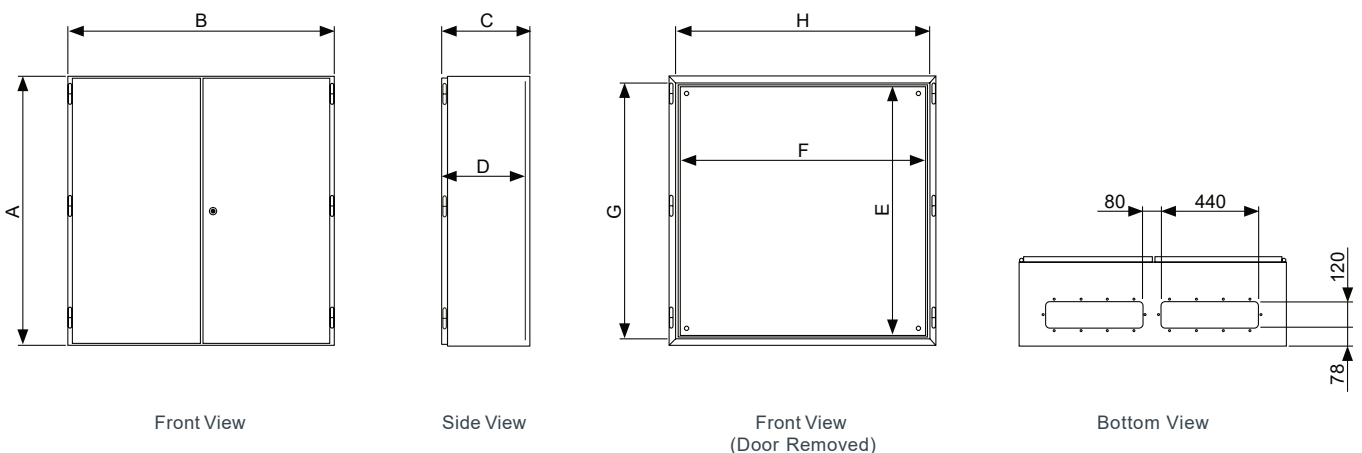


ACCESSORIES

Product	Description	Part Number	Dimensions (mm)			DD10103	DD12103	DD16104	DD18104	DD20104	DD12124	DD16124	DD18124	DD20124	DD18125	DD20125
			Height	Width	Depth											
Rainhoods	Zinc coated steel	DDRH103	30	-	-	•	•									
		DDRH104	30	-	-			•	•	•						
		DDRH124	30	-	-						•	•	•	•		
		DDRH125	30	-	-										•	•
Channel iron plinths	Galvanised steel	DDCIP103	75	1000	255	•	•									
		DDCIP104	75	1000	355			•	•	•						
		DDCIP124	75	1200	355						•	•	•	•		
		DDCIP125	75	1200	455										•	•
Plinth mounting bases	Galvanised steel	DDPB011003	100	1000	255	•	•									
		DDPB011004	100	1000	355			•	•	•						
		DDPB011204	100	1200	355						•	•	•	•		
		DDPB011205	100	1200	455										•	•
Neoprene gasket	3mmx20mm, 4m long	IPPC/G	-	-	-	•	•	•	•	•	•	•	•	•	•	•
External vent kit (Pebble Grey RAL7032)	Zinc coated steel	IPVK	130	130	-	•	•	•	•	•	•	•	•	•	•	•
		IPVK16	260	260	-	•	•	•	•	•	•	•	•	•	•	•
Gland plate – split	2mm zinc coated steel	DDSGP	490	112	-	•	•	•	•	•	•	•	•	•	•	•
Eye bolt	125kg per bolt (2)	LEB/12	-	-	-	•	•	•	•	•	•	•	•	•	•	•
LED light kit (500mm wide) – includes power supply & switch	12V	BRLED500	-	500	-	•	•	•	•	•	•	•	•	•	•	•
	24V	BRLED500/24	-	500	-	•	•	•	•	•	•	•	•	•	•	•
Light kit bracket	To suit LED light kit	DDLKB10	-	1000	-	•	•	•	•	•	•	•	•	•	•	•
		DDLKB12	-	1000	-	•	•	•	•	•	•	•	•	•	•	•
Fluoro light kit (240V)	1000mm wide	DDLTK10	-	-	-	•	•	•	•	•						
	1200mm wide	DDLTK12	-	-	-						•	•	•	•	•	
Touch up paint (300g)	Pebble Grey RAL7032	TUP/P20	-	-	-	•	•	•	•	•	•	•	•	•	•	

i See Pages 92-93 for more information about B&R's range of lighting solutions or contact your local sales representative to discuss your requirements.

TECHNICAL DRAWING



Universal DD – 316 Stainless Steel

Double Door Enclosures



- Suitable for industrial or demanding conditions.
- No centre mullion — extremely easy to access all equipment mounted on the included mounting pan.
- 180° opening doors.
- Conformity, Approvals:
Lloyds Register #06/10007 (E2)
- Manufactured from 1.5mm thick 316 stainless steel.
- N4 surface finish.

Comes standard with:

- 2mm steel mounting pan powdercoated white
- Gland plates fitted internally or externally – dual on 1200mm wide
- Door rails
- Stainless steel lock with 7mm square stainless steel insert (DD020/S) on units below 1600mm high
- Lockable L handle keyed to 92268 (DD050) on units 1600mm and above
- Earth strap kit



ORDERING GUIDE

Part Number	Dimensions (mm)								No. of Gland Plates	Weight (kg)
	External		Internal	Mounting Pan		Opening				
	Height (A)	Width (B)	Depth (C)	Usable Depth* (D)	Height (E)	Width (F)	Height (G)	Width (H)		
DD10103/S	1000	1000	300	250	940	915	940	920	1	64.0
DD12103/S	1200	1000	300	250	1140	915	1140	920	1	74.0
DD16104/S	1600	1000	400	350	1540	915	1540	920	1	103.0
DD18104/S	1800	1000	400	350	1740	915	1740	920	1	114.0
DD20104/S	2000	1000	400	350	1940	915	1940	920	1	125.0
DD12124/S	1200	1200	400	350	1140	1115	1140	1120	2	93.0
DD16124/S	1600	1200	400	350	1540	1115	1540	1120	2	119.0
DD18124/S	1800	1200	400	350	1740	1115	1740	1120	2	132.0
DD20124/S	2000	1200	400	350	1940	1115	1940	1120	2	145.0
DD18125/S	1800	1200	500	450	1740	1115	1740	1120	2	140.0
DD20125/S	2000	1200	500	450	1940	1115	1940	1120	2	154.0

* Mounting pan to inside of door



See Page 72 for a range of lock options available for the Universal DD range.



Universal DD – 316 Stainless Steel

Double Door Enclosures

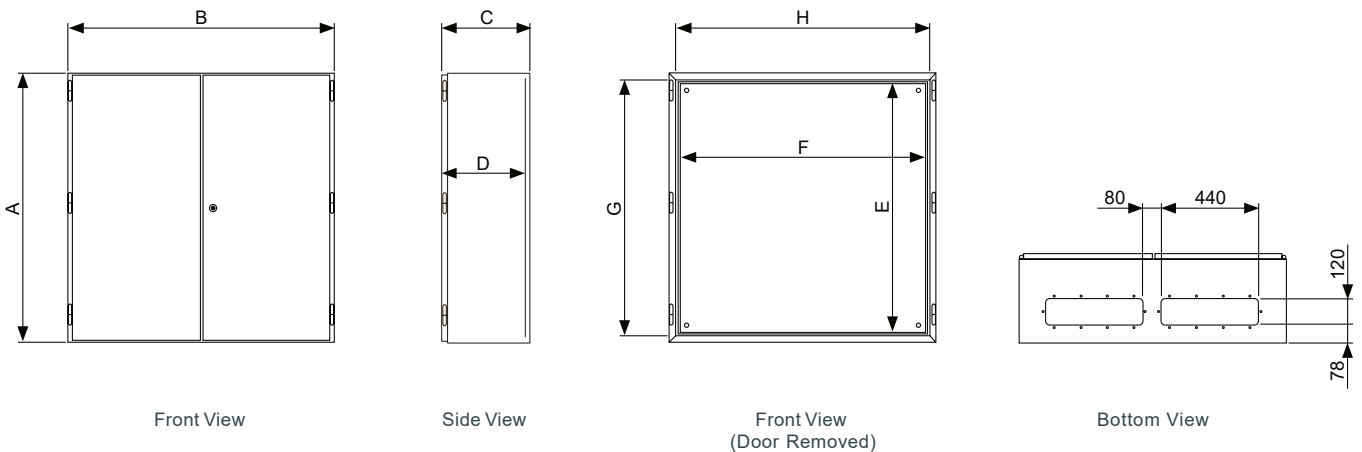


ACCESSORIES

Product	Description	Part Number	Dimensions (mm)			DD10103/S	DD12103/S	DD16104/S	DD18104/S	DD20104/S	DD12124/S	DD16124/S	DD18124/S	DD20124/S	DD18125/S	DD20125/S
			Height	Width	Depth											
Rainhoods	316 stainless steel	DDRH103/S	30	-	-	•	•									
		DDRH104/S	30	-	-			•	•	•						
		DDRH124/S	30	-	-						•	•	•	•		
		DDRH125/S	30	-	-										•	•
Channel iron plinths	Galvanised steel	DDCIP103	75	1000	255	•	•									
		DDCIP104	75	1000	355			•	•	•						
		DDCIP124	75	1200	355						•	•	•	•		
		DDCIP125	75	1200	455										•	•
Plinth mounting bases	Galvanised steel	DDPB011003	75	1000	255	•	•									
		DDPB011004	75	1000	355			•	•	•						
		DDPB011204	75	1200	355						•	•	•	•		
		DDPB011205	75	1200	455										•	•
Neoprene gasket	3mmx20mm, 4m long	IPPC/G	-	-	-	•	•	•	•	•	•	•	•	•	•	•
External vent kit	316 stainless steel	IPVK/S	130	130	-	•	•	•	•	•	•	•	•	•	•	•
		IPVK16/S	260	260	-	•	•	•	•	•	•	•	•	•	•	•
Gland plate – split	2mm zinc coated steel	DDSGP	490	112	-	•	•	•	•	•	•	•	•	•	•	•
Eye bolt	125kg per bolt (2)	LEB/12	-	-	-	•	•	•	•	•	•	•	•	•	•	•
LED light kit (500mm wide) – includes power supply & switch	12V	BRLED500	-	500	-	•	•	•	•	•	•	•	•	•	•	•
	24V	BRLED500/24	-	500	-	•	•	•	•	•	•	•	•	•	•	•
Light kit bracket	To suit LED light kit	DDLKB10	-	1000	-	•	•	•	•	•	•	•	•	•	•	•
		DDLKB12	-	1000	-	•	•	•	•	•	•	•	•	•	•	•
Fluoro light kit (240V)	1000mm wide	DDLTK10	-	-	-	•	•	•	•	•						
	1200mm wide	DDLTK12	-	-	-						•	•	•	•	•	

i See Pages 92-93 for more information about B&R's range of lighting solutions or contact your local sales representative to discuss your requirements.

TECHNICAL DRAWING



Incline SR

Mining and Industrial Enclosures



- Designed for rugged industrial applications including local control stations, mini control consoles or motor isolators.
- Suitable for mine sites and sugar mills.
- 30° sloping roof and 20mm overhang to prevent build up of solids.
- Specially designed gutter system.
- Conformity, Approvals:
Lloyds Register #06/10007 (E2)
- Manufactured from 1.5mm thick 316 stainless steel.
- N4 surface finish or powdercoated X15 orange.

Comes standard with:

- 2mm steel mounting pan powdercoated white
- Stainless steel gland plate
- Mounting flanges top & bottom
- Stainless steel lock with 7mm square stainless steel insert (NI020/S)
- Door rails
- Earth strap kit



ORDERING GUIDE

Part Number		Dimensions (mm)											Weight (kg)
		External				Internal	Mounting Pan		Gland Opening		Mounting Centres		
Standard	X15 Orange	Height (A)	Width (B)	Depth (C)	Total Height (D)**	Usable Depth* (E)	Height (F)	Width (G)	Width (H)	Depth (I)	Height (J)	Width (K)	
SR03021/S	SR03021/SRO [▲]	300	200	150	507	140	250	150	175	70	477	100	5.5
SR04031/S	SR04031/SRO [▲]	400	300	150	607	140	350	250	175	70	577	200	9.0
SR03042/S■	SR03042/SRO [▲]	300	400	200	536	190	250	350	250	120	506	300	10.0
SR04042/S■	SR04042/SRO [▲]	400	400	200	636	190	350	350	250	120	606	300	13.0
SR06042/S■	SR06042/SRO [▲]	600	400	200	836	190	550	350	250	120	806	300	17.0
SR04062/S■	SR04062/SRO [▲]	400	600	200	636	190	350	550	440	120	606	500	18.0
SR08062/S■		800	600	200	1036	190	750	550	440	120	1006	500	31.0
SR10062/S■		1000	600	200	1236	190	950	550	440	120	1206	500	37.0
SR04063/S■	SR04063/SRO [▲]	400	600	300	694	290	350	550	440	120	663	500	21.0
SR06063/S■	SR06063/SRO [▲]	600	600	300	894	290	550	550	440	120	863	500	28.0
SR08063/S [▲]	SR08063/SRO ^{▲▲}	800	600	300	1094	290	750	550	440	120	1063	500	35.0

[▲] Available on request

* Mounting pan to inside of door

** Includes from bottom of enclosure to top mounting flange

■ Includes vertical door rails

[▲] Includes horizontal and vertical door rails



See Page 72 for a range of lock options available for the Incline SR range.

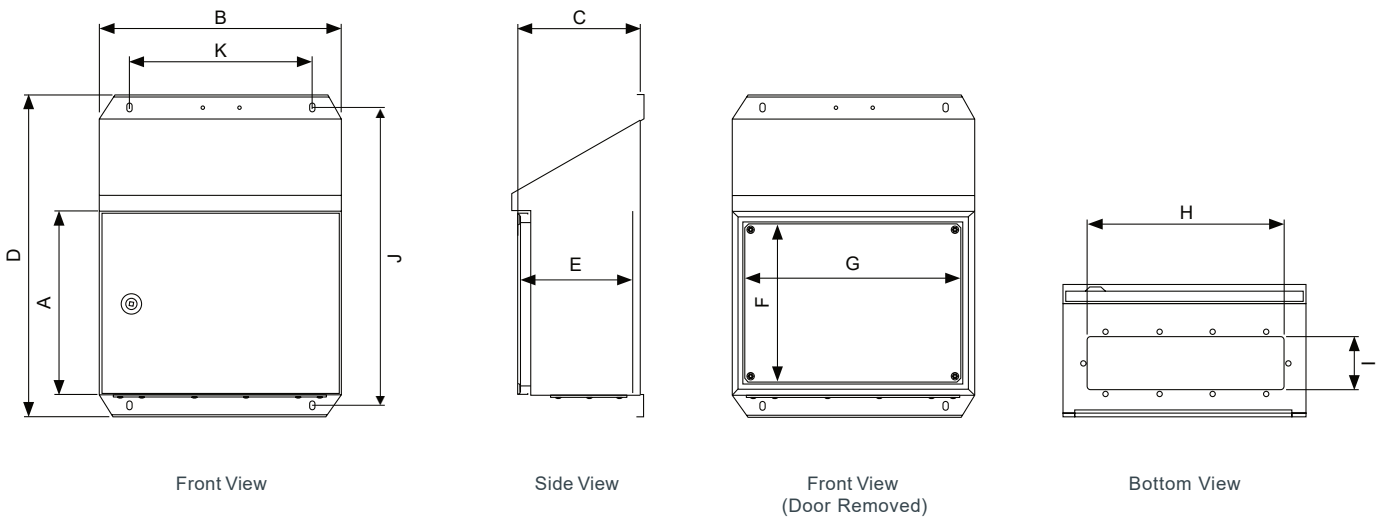


ACCESSORIES

Product	Description	Part Number	Dimensions (mm)			SR03021/S (/SRO)	SR04031/S (/SRO)	SR03042/S (/SRO)	SR04042/S (/SRO)	SR06042/S (/SRO)	SR04062/S (/SRO)	SR08062/S	SR10062/S	SR04063/S (/SRO)	SR06063/S (/SRO)	SR08063/S (/SRO)
			Height	Width	Thickness											
Mounting pan	Insulated	SRIMP032	250	150	6	•										
		SRIMP034	250	350	6		• •									
		SRIMP044	350	350	6				•							
		SRIMP046	350	550	6						•			•		
		SRIMP064	550	350	6					•						
		SRIMP066	550	550	6										•	
		SRIMP086	750	550	6							•				•
Gland plate	Brass	SRBGP3/1	195	100	3	• •										
		SRBGP3/2	290	160	3			• • •								
		SRBGP3/3	480	160	3						• • • • •					
	316 stainless steel	SRBGP6/1	195	100	6	• •										
		SRBGP6/2	290	160	6			• • •								
		SRBGP6/3	480	160	6						• • • • •					
	Aluminium	SRS GP/1	195	100	1.5	• •										
		SRS GP/2	290	160	1.5			• • •								
		SRS GP/3	480	160	1.5						• • • • •					
	External vent kit	316 stainless steel	SRAGP6/1	195	100	6	• •									
SRAGP6/2			290	160	6			• • •								
Replacement hinge	Kit	SRAGP6/3	480	160	6					• • • • •						
		NI/H	-	-	-	• • • • •	• • • • •	• • • • •	• • • • •	• • • • •	• • • • •	• • • • •	• • • • •	• • • • •	• • • • •	• • • • •
Touch up paint (150g)	X15 Orange	TUP/P24	-	-	-	• • • • •	• • • • •	• • • • •	• • • • •	• • • • •	• • • • •	• • • • •	• • • • •	• • • • •	• • • • •	

^ Fits door only

TECHNICAL DRAWING



Hedland PH

Mining and Industrial Enclosures



- Typically used for local control stations, mini-control consoles and motor isolators in conveyor runs.
- The sloped face creates an ergonomic interface when fitted with pushbuttons and control equipment.
- 15° sloping roof and 20mm overhang to prevent build up of solids.
- Conformity, Approvals:
Lloyds Register #06/10007 (E2)
- Manufactured from 1.5mm thick 316 stainless steel
- N4 surface finish.

Comes standard with:

- 2mm steel mounting pan powdercoated white
- 6mm brass gland plate
- Top and bottom mounting flanges
- Stainless steel lock with 7mm square stainless steel insert (NI020/S)
- Door stay and document holder
- External earthing stud
- Earth strap kit



ORDERING GUIDE

Dimensions (mm)

Part Number	External			Internal	Mounting Pan	Gland Opening				Mounting Centres		Weight (kg)
	Height (A)	Width (B)	Depth (C)	Total Height (D)	Useable Depth (E)*	Height (F)	Width (G)	Width (H)	Depth (I)	Height (J)	Width (K)	
PH040427/S	400	400	270	603	230	320	340	180	300	563	300	23.0
PH060627/S	600	600	270	803	230	520	540	180	500	763	500	38.0
PH100827/S	1000	800	270	1203	230	915	740	180	700	1163	700	85.0
PH120827/S	1200	800	270	1403	230	1120	740	180	700	1363	700	95.0
PH160827/S	1600	800	270	1803	230	1520	740	180	700	1763	700	105.0

* Mounting pan to inside of door



See Page 72 for a range of lock options available for the Hedland PH range.

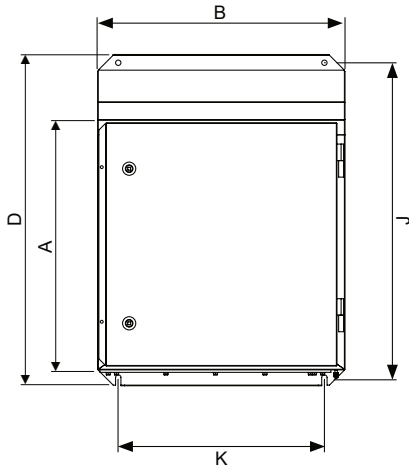
ACCESSORIES

Product	Description	Part Number	Dimensions (mm)			PH040427/S	PH060627/S	PH100827/S	PH120827/S	PH160827/S
			Height	Width	Thickness					
External vent kit	316 stainless steel	IPVK/S	130	130	–	•	•	•	•	•
		IPVK16/S	260	260	–	^	^	^	^	^

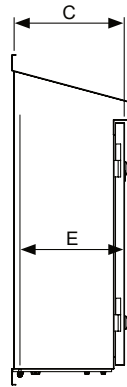
^ Fits door only



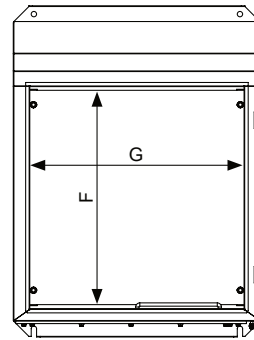
TECHNICAL DRAWINGS



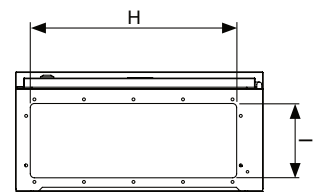
Front View



Side View



Front View
(Door Removed)



Bottom View

Finucane FI

Mining and Industrial Enclosures



INTERNAL ENCLOSURE

- 15° forward sloping roof with extended roof and gutter system.
- Mounting pan depth adjustable to provide flexibility for cable glands.
- 2mm steel mounting pan powdercoated white.
- 6mm aluminium gland plate.
- Door rails.
- Earth strap kit.
- Padlockable stainless steel swing handle (IP060/S).
- Manufactured from 316 stainless steel with N4 surface finish.

SUNSHADE ENCLOSURE

- Fully vented enclosure designed to protect enclosure from direct sunlight and reducing temperatures inside the enclosure.
- 15° reverse angle sloping roof.
- Large opening in bottom for maximum cable access and ventilation.
- Key lockable stainless steel L handle keyed to 92268 (IP050).
- Manufactured from 316 stainless steel with N4 surface finish.



ORDERING GUIDE

		Dimensions (mm)											
		External			Internal	Mounting Pan		Gland Opening		Mounting Centres			
Part Number	Includes	Height (A)	Width (B)	Depth (C)	Total Height (D)	Usable Depth (E)	Height (F)	Width (G)	Width (H)	Depth (I)	Height (J)	Width (K)	Weight (kg)
FI101040/S*	Internal enclosure only	1000	1000	420	1240	354	930	934	930	313	1206	900	65.0
FI151250/S	Sunshade and enclosure, complete	1500	1200	524	-	-	-	-	-	-	-	-	220.0

* Only applies to internal enclosure

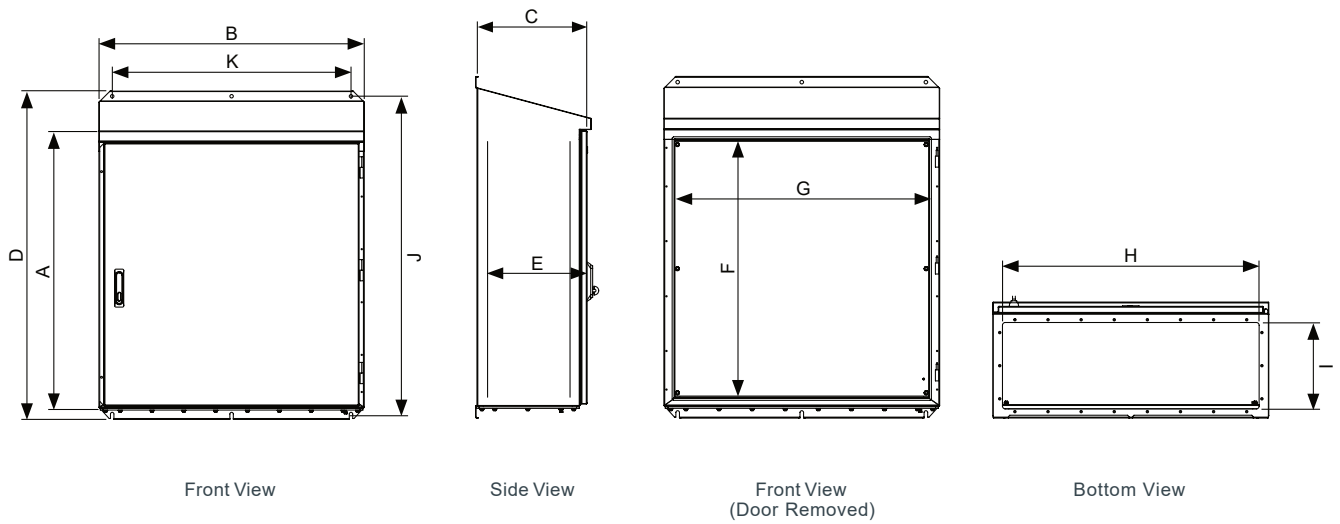


See Page 72 for a range of lock options available for the Finucane FI range.

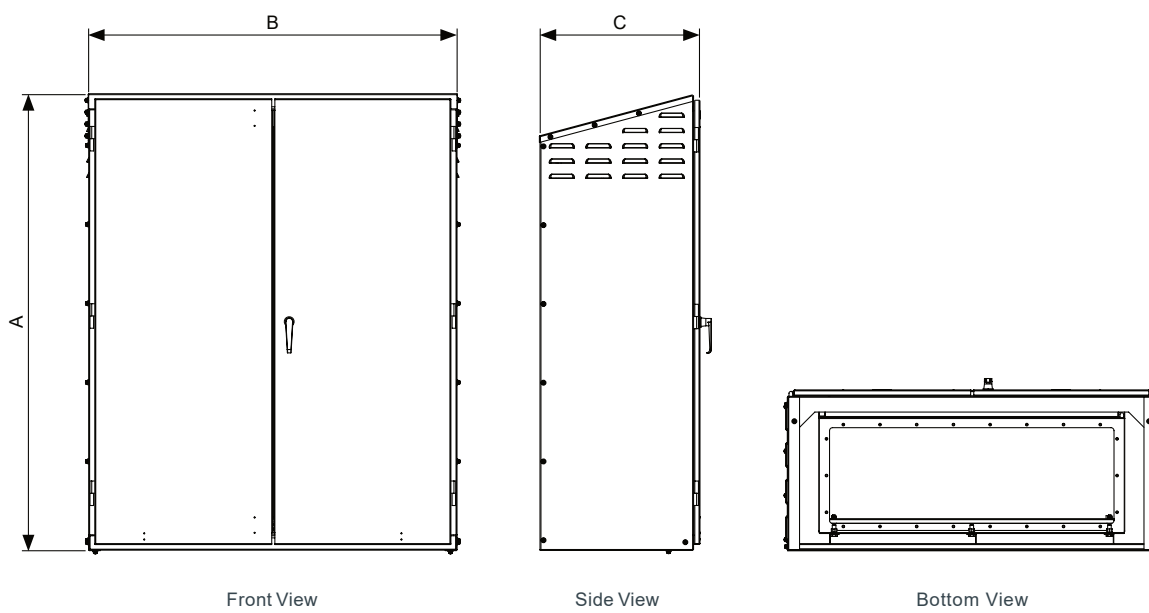


TECHNICAL DRAWINGS

Internal Enclosure



Sunshade and enclosure complete assembly



Miner ME

1000 Volt Mining and Industrial Enclosures



- Suitable for 1000 volt applications.
- 100 micron UV resistant modified polyester paint finish.
- Suitable for temperatures -10°C to +60°C.
- Specially designed flat faced gutter.
- External pintle hinges for easy door removal.
- Conformity, Approvals:
Lloyds Register #06/10007 (E2)
- Manufactured from 2mm thick zinc coated steel.
- Powdercoated French Blue or X15 Orange.

Comes standard with:

- Steel mounting pan powdercoated white
- Chromed steel lock with 7mm square steel insert (NI020)
- Earth strap kit



ORDERING GUIDE

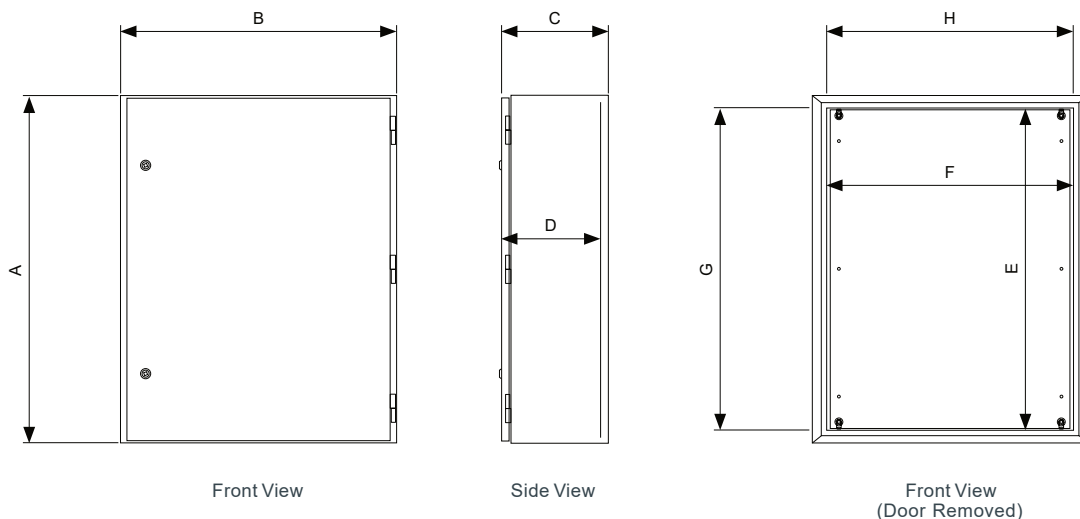
Part Number		Dimensions (mm)									
		External		Internal		Mounting Pan		Opening		No. of Locks	Weight (kg)
French Blue	X15 Orange	Height (A)	Width (B)	Depth (C)	Usable Depth* (D)	Height (E)	Width (F)	Height (G)	Width (H)		
ME06043	ME06043/RO	600	400	310	278	530	300	540	320	1	22.0
ME06063	ME06063/RO	600	600	310	278	530	500	540	520	1	30.0
ME08063	ME08063/RO	800	600	310	278	730	500	740	520	2	38.0
ME08083	ME08083/RO	800	800	310	278	730	700	740	720	2	49.0
ME10083	ME10083/RO	1000	800	310	278	930	700	940	720	2	59.0
ME12083	ME12083/RO	1200	800	310	278	1130	700	1140	720	2	69.0
ME10103	ME10103/RO	1000	1000	310	278	930	900	940	920	2	71.0

* Mounting pan to inside of door



See Page 72 for a range of lock options available for the Miner ME range.

TECHNICAL DRAWINGS



Project Profile

Roy Hill Climate-Ready Enclosure Newman, WA



BHP wanted to create a fibre enclosure hub which would be used to link a fibre ring underground with the surface.



With a proven history designing and supplying enclosure solutions for heavy haul rail projects, B&R Enclosures were contracted to supply a range of 3mm aluminium rail cabinets.

This included single and double width control cabinets with full internal frames, post mount test switch boxes, post mount track disconnect boxes, single and double width battery cabinets with battery interconnection cables.

These cabinets were part of the project's satellite positioning based train control and protection technology including integrated electronic train order systems, centralised interlocking as well as communications-based protection of maintenance vehicles to be built by Samsung C&T for Ansaldo STS. This project drew on previous expertise and products supplied to the RioTinto AutoHaul project and RAFA. In addition, this project demanded adherence to a unique set of Roy Hill project requirements and specifications.

“B&R worked closely with Ansaldo STS prior to and throughout the project to ensure successful delivery and long-term performance.”

The cabinets were installed in the remote outback of Northern Western Australia where average ambient temperatures can be above fifty degrees in the dry season while monsoonal rain and cyclonic winds are prevalent in the wet season.

Combine this with the potential for vermin infestations and extreme dust infiltration, the cabinets needed to have technical approval and accreditation through rigorous testing and documentation protocol.

At B&R's head office, located in Brisbane, the design team were able to utilise their in-house environmental testing facility to investigate the effects of structural certification, heat rise, humidity, wind load and ingress protection. A series of tests were conducted which included placing an operational cabinet within an environmental room where resistive heaters were used to simulate internal heat loads of between 500 and 2000 watts loss. A maximum 20K temperature difference was obtained through testing for an ambient temperature range of 272.4K to 323K and the abovementioned heat loads. Wind testing of the cabinets was simulated through applying a manual point force between 30 and 55 (kgf) to simulate a Region D, Level 4 wind load panels.

A particular point of difference was in B&R's proficiency to manufacture using aluminum. The advantages of using aluminum as an alternative to stainless steel or zinc coated steel included improved corrosion resistance, low density and excellent thermal conductivity for high exposure environments. The use of aluminum also lends to decreased costs in freight and general installation due to its lighter make-up.

A team of B&R design engineers worked closely with Ansaldo STS personnel to refine the cabinet solution ensuring the cabinet's integrity in sustained arduous environmental conditions. The comprehensive design research and testing conducted by B&R allowed Ansaldo STS to further qualify the project's successful delivery and long-term performance. Accordingly, B&R worked very closely with Ansaldo STS prior to and throughout the project time line - from early stage design, prototyping and testing through to final commissioning, completion and hand over.



For more information
« brenclosures.com.au/project/roy-hill/

Bowen Series

Mining and Industrial Enclosures



- Designed to house terminations, pushbuttons, isolators or switchgear in industrial or demanding environments such as washeries, processing and sampling stations.
- Is well suited to applications that require front and side mounted switching devices.
- 40° sloping roof and 40mm roof overhang reduces material build-up.
- Internal door rails fitted to ensure mounting flexibility.
- Lifting lugs conform to *AS4991:Lifting Devices*.
- One (1) tonne SWL on each lifting lug.
- Conformity, Approvals:
Lloyds Register #06/10007 (E2)
- Manufactured from 1.5 to 2.0mm thick 316 stainless steel.
- N4 surface finish.

Comes standard with:

- Steel mounting pan powdercoated white
- Top and bottom mounting flanges
- Internal 6mm earth stud
- Lock dust cover with stainless steel lock with 8mm square slotted stainless steel insert
- Lifting lugs on 800mm & 1200mm high enclosures
- 3-point locking on 800mm & 1200mm high enclosures



ORDERING GUIDE

Part Number	Dimensions (mm)														Weight (kg)
	External				Internal	Mounting Pan Gland Opening				Mounting Centres		Material Thk.			
	Height (A)	Width (B)	Depth (C)	Total Height (D)	Usable Depth* (E)	Height (F)	Width (G)	Width (H)	Depth (I)	Height (J)	Width (K)	Body	Door		
BL040320/S	400	300	200	709	179	345	210	200	105	676	200	1.5	1.5	14.0	
BL040420/S	400	400	200	709	150	345	310	300	105	676	300	1.5	1.5	18.0	
BL060420/S	600	400	200	909	150	545	310	300	105	876	300	1.5	1.5	21.0	
BL060630/S	600	600	300	993	250	545	510	500	205	960	500	1.5	1.5	33.0	
BL080630/S	800	600	300	1193	250	745	510	500	205	1160	500	1.5	1.5	60.0	
BL120830/S	1200	800	300	1593	250	1145	710	700	205	1560	700	1.5	1.5	90.0	
BM040320/S	400	300	200	709	179	345	210	200	105	676	200	1.5	2.0	15.0	
BM040420/S	400	400	200	709	150	345	310	300	105	676	300	1.5	2.0	19.0	
BM060420/S	600	400	200	909	150	545	310	300	105	876	300	1.5	2.0	24.0	
BM060630/S	600	600	300	993	250	545	510	500	205	960	500	1.5	2.0	36.0	
BM080630/S	800	600	300	1193	250	745	510	500	205	1160	500	1.5	2.0	65.0	
BM120830/S	1200	800	300	1593	250	1145	710	700	205	1560	700	1.5	2.0	95.0	
BW040320/S	400	300	200	710	179	345	210	200	105	676	200	2.0	2.0	17.0	
BW040420/S	400	400	200	709	150	345	310	300	105	676	300	2.0	2.0	21.0	
BW060420/S	600	400	200	909	150	545	310	300	105	876	300	2.0	2.0	28.0	
BW060630/S	600	600	300	993	250	545	510	500	205	960	500	2.0	2.0	38.0	
BW080630/S	800	600	300	1193	250	745	510	500	205	1160	500	2.0	2.0	70.0	
BW120830/S	1200	800	300	1593	250	1145	710	700	205	1560	700	2.0	2.0	100.0	

* Mounting pan to inside of door



See Page 72 for a range of lock options available for the Bowen range.



Bowen Series


Mining and Industrial Enclosures



ACCESSORIES

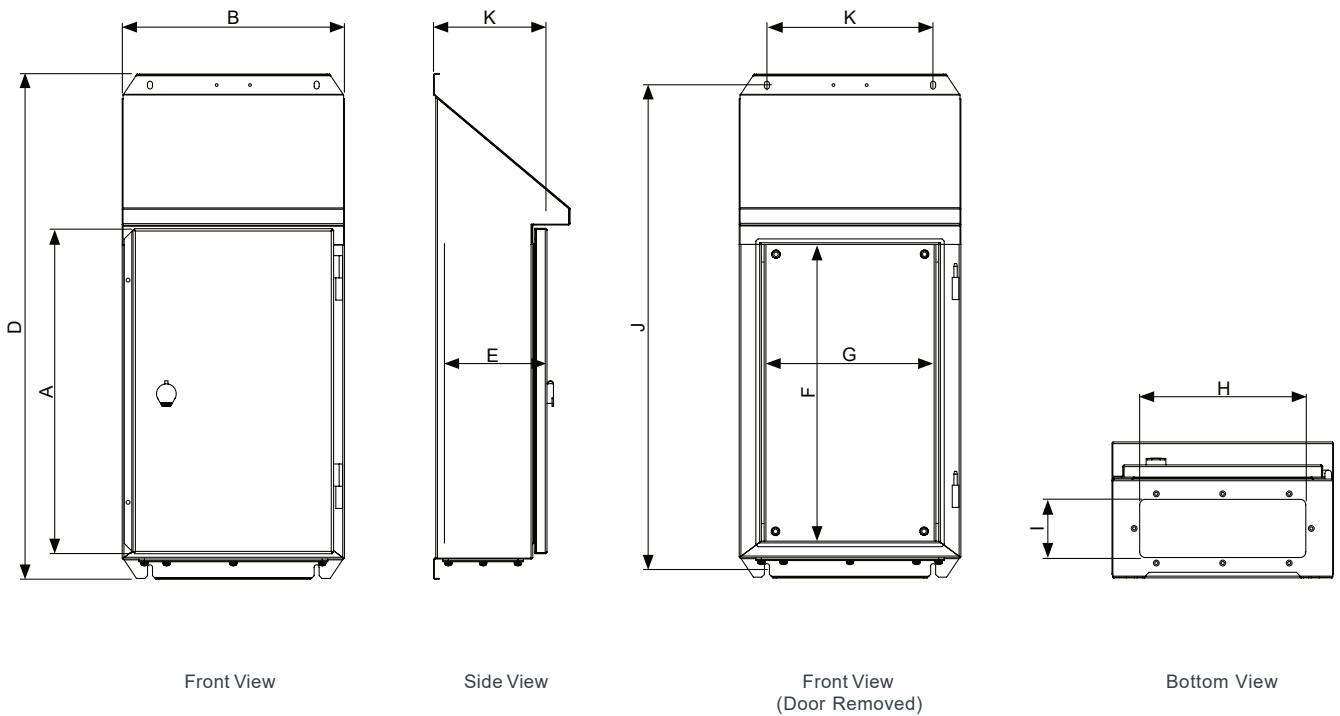
Product	Part Number	Dimensions (mm)			BL040320/S	BL040420/S	BL060420/S	BL060630/S	BL080630/S	BL120830/S	BM040320/S	BM040420/S	BM060420/S	BM060630/S	BM080630/S	BM120830/S	BW040320/S	BW040420/S	BW060420/S	BW060630/S	BW080630/S	BW120830/S
		Height	Width	Depth																		
Hinged escutcheon – 2mm zinc coated steel (white)	BWHE040420	400	400	200		•						•						•				
	BWHE060420	600	400	200			•					•							•			
	BWHE060630	600	600	300				•					•							•		
	BWHE080630	800	600	300					•					•							•	
	BWHE120830	1200	800	300						•					•							•
Light kit brackets^	BWLKB04	-	-	-		•	•					•	•					•	•			
	BWLKB06	-	-	-				•	•					•	•					•	•	
	BWLKB08	-	-	-						•						•						•
LED Light*	BRLED300	-	300	-		•	•					•	•					•	•			
	BRLED300/24	-	300	-		•	•					•	•					•	•			
	BRLED500	-	500	-				•	•	•				•	•	•				•	•	•
	BRLED500/24	-	500	-				•	•	•				•	•	•				•	•	•

* Requires light kit bracket to suit enclosure size
 ^ Light not included, purchased separately



See Pages 92-93 for more information about B&R's range of lighting solutions or contact your local sales representative to discuss your requirements.

TECHNICAL DRAWINGS



Pilbara SP – Zinc Coated Steel

Mining and Industrial Enclosures



- Designed in size suitable for the most common mining, mineral processing and infrastructure projects.
- Typically used in local control stations, mini control consoles or motor isolation control stations.
- 30° sloping roof to prevent build up of water and solids.
- Lifting lugs conform to AS4991: *Lifting Devices*.
- One (1) tonne SWL on each lifting lug (excluding SP040425).
- Region D wind rated to AS1170.2-2002: *Structural design actions – Wind actions*
- Easy installation with top and bottom mounting flanges.
- Conformity, Approvals:
Lloyds Register #06/10007 (E2)
- Manufactured from 1.5mm or 2mm thick zinc coated steel.
- Powdercoated X15 Orange.

Comes standard with:

- 2mm steel mounting pan powdercoated white
- Chrome steel padlockable swing handle with LockSock®
- 3-point locking (excluding SP040425 range)
- 6mm aluminium gland plate
- Lifting lugs (excluding SP040425 range)

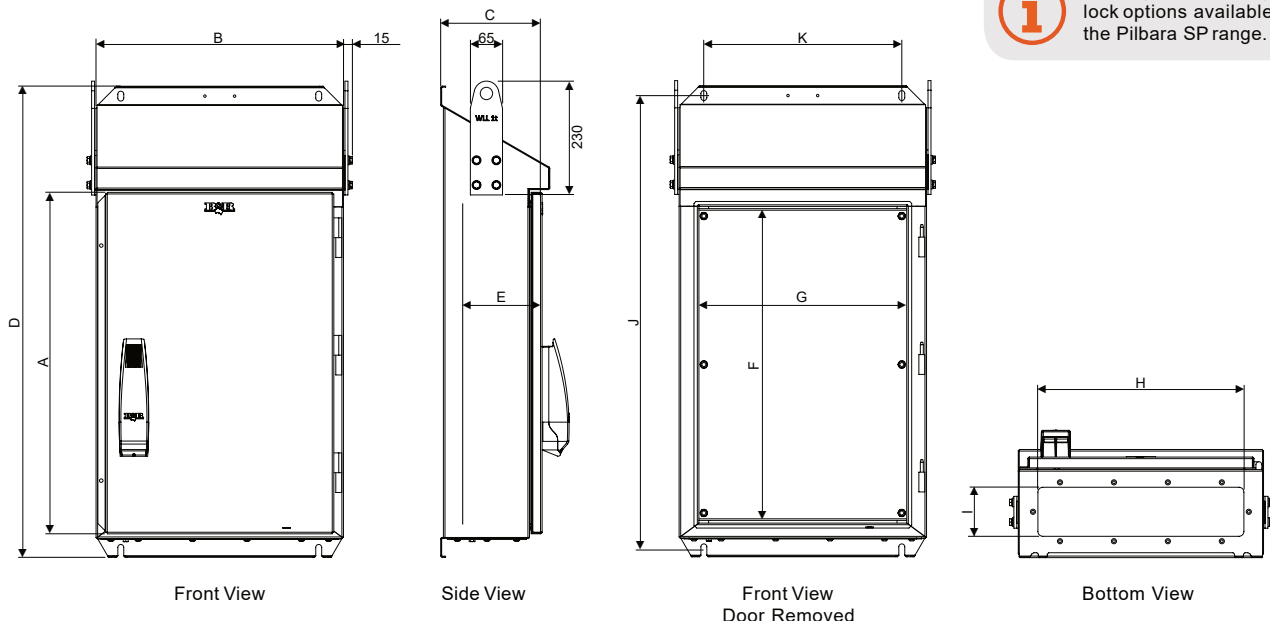


ORDERING GUIDE

Part Number	Dimensions (mm)												Weight (kg)
	External			Internal	Mounting Pan	Gland Opening		Mounting Centres					
	Height (A)	Width (B)	Depth (C)	Total Height (D)	Usable Depth (E)*	Height (F)	Width (G)	Width (H)	Depth (I)	Height (J)	Width (K)		
SP070522	700	500	220	950	153	630	430	420	100	920	400	39.0	
SP100822	1000	800	220	1250	153	930	730	720	100	1218	700	52.0	
SP040425	400	400	250	680	203	330	330	320	140	641	300	25.0	
SP070535	700	500	350	1040	303	630	430	420	240	1005	400	47.0	
SP100840	1000	800	400	1365	353	930	730	640	210	1334	600	75.0	

* Mounting pan to inside of door

TECHNICAL DRAWINGS



See Page 72 for a range of lock options available for the Pilbara SP range.



Pilbara SP – Zinc Coated Steel

Mining and Industrial Enclosures



ACCESSORIES

Product	Description	Part Number	Dimensions (mm)			SP070522	SP100822	SP040425	SP070535	SP100840
			Height	Width	Depth					
Hinged escutcheon		SPHE0404	325	320	18			•		
		SPHE0705	625	420	18	•			•	
		SPHE1008	925	720	18		•			•
Gland plate	Brass	SPGB32/6	380	200	6			•		
		SPGB41/6	480	160	6	•				
		SPGB43/6	480	300	6				•	
		SPGB71/6	780	160	6		•			
		SPGB72/6	700	270	6					•
		SPGA32/6	380	200	6			•		
Gland plate	Aluminium	SPGA41/6	480	160	6	•				
		SPGA43/6	480	300	6				•	
		SPGA71/6	780	160	6		•			
		SPGA72/6	700	270	6					•
Pintle hinge	316 stainless steel	SP/H/S	–	–	–	•	•	•	•	•
Retro-fit sunshades	Zinc coated steel (2mm) – powdercoated X15 Orange	SPSK040425*	400	400	270			•		
		SPSK070522	700	500	220	•				
		SPSK070535	700	500	370				•	
		SPSK100822	1000	800	220		•			•
		SPSK100840	1000	800	400					•
LED light kit	12V	BRLED300	–	300	–	•		•	•	
		BRLED500	–	500	–		•			
	24V	BRLED300/24	–	300	–	•		•	•	
		BRLED500/24	–	500	–					•
Light mounting kit	To suit LED light kits	IPLKB04^	–	–	–			•		
		SPLKB05^	–	–	–	•			•	
		IPLKB08^	–	–	–		•			•

* Does not come with a front sunshade.

^ Light not included, purchased separately



See Pages 92-93 for more information about B&R's range of lighting solutions or contact your local sales representative to discuss your requirements.



DID YOU KNOW?

Retrofitted sunshades provide extra protection against rising temperatures inside an enclosure. Also available are enclosure fitted with sunshades. See Pages 60-64 for more information.

Pilbara SP – 316 Stainless Steel

Mining and Industrial Enclosures



- Designed in size suitable for the most common mining, mineral processing and infrastructure projects.
- Typically used in local control stations, mini control consoles or motor isolation control stations.
- 30° sloping roof to prevent build up of water and solids.
- Lifting lugs conform to *AS4991:Lifting Devices*.
- One (1) tonne SWL on each lifting lug (excluding SP040425).
- Region D wind rated to *AS1170.2-2002:Structural design actions – Wind actions*
- Easy installation with top and bottom mounting flanges.
- Conformity, Approvals:
Lloyds Register #06/10007 (E2)
- Manufactured from 1.5mm thick 316 stainless steel.
- N4 surface finish or powdercoated X15 orange.

Comes standard with:

- 2mm steel mounting pan powdercoated white
- Stainless steel padlockable swing handle with LockSock®
- 3-point locking (excluding SP040425 range)
- 2mm stainless steel gland plate
- Lifting lugs (excluding SP040425 range)

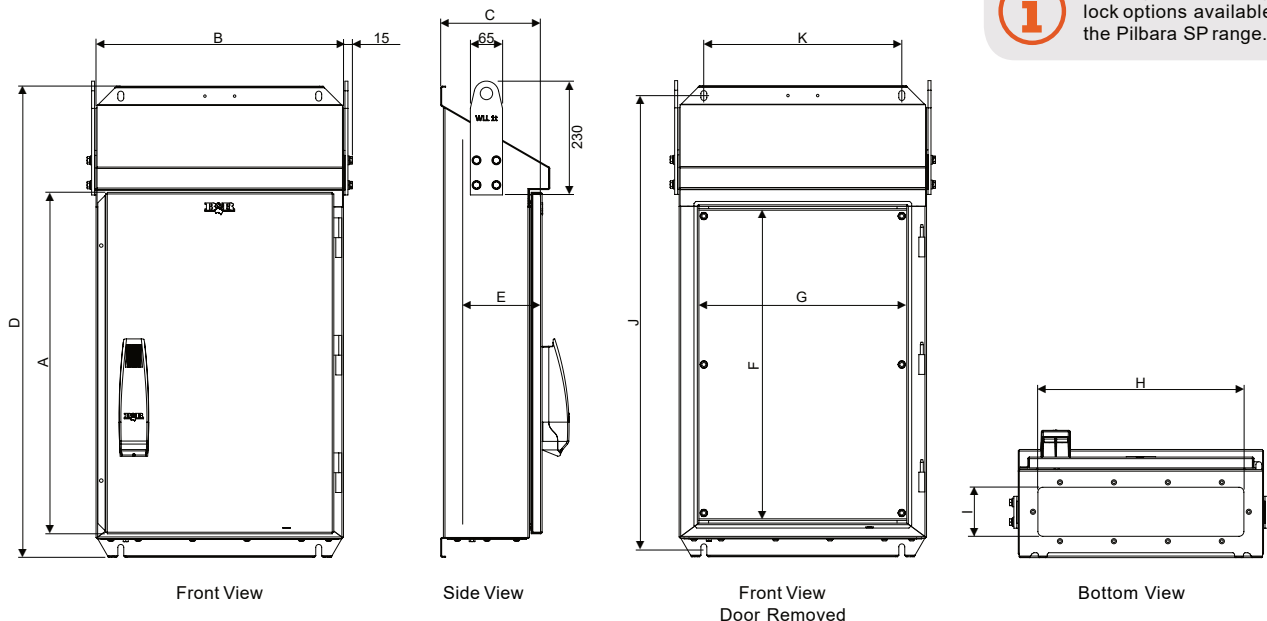


ORDERING GUIDE

		Dimensions (mm)											
Part Number		External			Internal	Mounting Pan	Gland Opening		Mounting Centres				
		Height (A)	Width (B)	Depth (C)	Total Height (D)	Usable Depth (E)*	Height (F)	Width (G)	Width (H)	Depth (I)	Height (J)	Width (K)	Weight (kg)
316SS (N4)	X15 Orange												
SP070522/S	SP070522/SRO	700	500	220	950	153	630	430	420	100	920	400	34.0
SP100822/S	SP100822/SRO	1000	800	220	1250	153	930	730	720	100	1218	700	47.0
SP040425/S	SP040425/SRO	400	400	250	680	203	330	330	320	140	641	300	20.0
SP070535/S	SP070535/SRO	700	500	350	1040	303	630	430	420	240	1005	400	40.0
SP100840/S	SP100840/SRO	1000	800	400	1365	353	930	730	640	210	1334	600	71.0

* Mounting pan to inside of door

TECHNICAL DRAWINGS



See Page 72 for a range of lock options available for the Pilbara SP range.



ACCESSORIES

Product	Description	Part Number	Dimensions (mm)			SP070522/S	SP100822/S	SP040425/S	SP070535/S	SP100840/S
			Height	Width	Depth					
Hinged escutcheon		SPHE0404	400	400	–			•		
		SPHE0705	700	500	–	•			•	
		SPHE1008	1000	800	–		•			•
Gland plate	Brass	SPGB32/6	380	200	6			•		
		SPGB41/6	480	160	6	•				
		SPGB43/6	480	300	6				•	
	Aluminium	SPGB71/6	780	160	6		•			
		SPGB72/6	700	270	6					•
		SPGA32/6	380	200	6			•		
Pintle hinge	316 stainless steel	SPGA41/6	480	160	6	•				
		SPGA43/6	480	300	6				•	
		SPGA71/6	780	160	6		•			
		SPGA72/6	700	270	6					•
Retro-fit sunshades*	316 stainless steel (1.5mm) - N4 finish	SP/H/S	–	–	–	•	•	•	•	•
		SPSK040425/S*	400	400	270			•		
		SPSK070522/S	700	500	220	•				
		SPSK070535/S	700	500	370				•	
		SPSK100822/S	1000	800	220		•			
	316 stainless steel (1.5mm) – X15 powdercoated	SPSK100840/S	1000	800	400					•
		SPSK040425/SRO*	400	400	270			•		
		SPSK070522/SRO	700	500	220	•				
		SPSK070535/SRO	700	500	370				•	
		SPSK100822/SRO	1000	800	220		•			
LED light kit	12V	SPSK100840/SRO	1000	800	400					•
		BRLED300	–	300	–	•		•	•	
	24V	BRLED500	–	500	–		•			
		BRLED300/24	–	300	–	•		•	•	
Light mounting kit	To suit LED light kits	BRLED500/24	–	500	–					•
		IPLKB04^	–	–	–			•		
		SPLKB05^	–	–	–	•			•	
		IPLKB08^	–	–	–		•		•	

* Does not come with a front sunshade.

^ Light not included, purchased separately



See Pages 92-93 for more information about B&R's range of lighting solutions or contact your local sales representative to discuss your requirements.



DID YOU KNOW?

Retrofitted sunshades provide extra protection against rising temperatures inside an enclosure. Also available are enclosure fitted with sunshades. See Pages 60-64 for more information.

Pilbara SP with Sunshades – Zinc Coated Steel

Mining and Industrial Enclosures



- Designed for the most common mining, mineral processing and infrastructure projects.
- used in local control stations, mini control consoles or motor isolation control stations.
- 30° sloping roof to prevent build up of water and solids.
- Lifting lugs conform to *AS4991:LiftingDevices*.
- One (1) tonne SWL on each lifting lug (excluding SP040425).
- Region D wind rated to *AS1170.2-2002:Structural design actions – Wind actions*
- Easy installation with top and bottom mounting flanges.
- Conformity, Approvals:
Lloyds Register #06/10007 (E2)
- Manufactured from 2.0mm thick zinc coated steel.
- Powdercoated X15 orange.

Comes standard with:

- Sunshades – top, door and both sides
- Steel mounting pan powdercoated white
- Chrome steel padlockable swing handle with LockSock®
- 3-point locking (excluding SP040425range)
- 6mm aluminium gland plate
- Lifting lugs on enclosures (excluding SP040425range)



ORDERING GUIDE

Part Number	Dimensions (mm)															Weight (kg)
	External			Internal			Mounting Pan		Gland Opening		Mounting Centres		Opening			
	Height (A)	Width (B)	Depth (C)	Total Height (D)	Total Width (E)	Usable Depth (F)*	Height (G)	Width (H)	Width (I)	Depth (J)	Height (K)	Width (L)	Height (M)	Width (N)		
SP070522/SK	700	500	220	950	600	153	630	430	120	440	920	400	640	420	105.0	
SP100822/SK	1000	800	220	1252	900	153	930	730	120	740	1218	700	940	720	150.0	
SP040425/SK#	400	400	250	680	500	203	330	330	140	320	641	300	340	320	60.0	
SP070535/SK	700	500	350	1040	600	303	630	430	240	420	1005	400	640	420	120.0	
SP100840/SK	1000	800	400	1365	900	353	930	730	210	640	1334	600	940	720	180.0	

* From mounting pan to inside of door.

Does not come with a front sunshade.



See Page 72 for a range of lock options available for the Pilbara SP range.



Pilbara SP with Sunshades – Zinc Coated Steel

Mining and Industrial Enclosures



ACCESSORIES

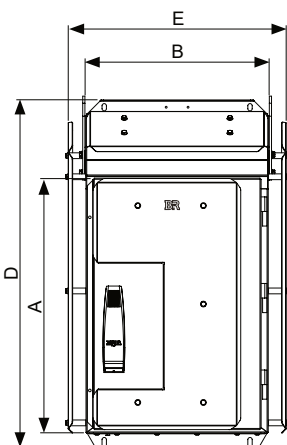
Product	Description	Part Number	Dimensions (mm)			SP070522/SK	SP100822/SK	SP040425/SK	SP070535/SK	SP100840/SK
			Height	Width	Depth					
Hinged escutcheon	Zinc coated steel	SPHE0404	400	400	–					
		SPHE0705	700	500	–	•			•	
		SPHE1008	1000	800	–		•			•
Gland plate	Brass	SPGB32/6	380	200	6			•		
		SPGB41/6	480	160	6	•				
		SPGB43/6	480	300	6				•	
		SPGB71/6	780	160	6		•			
	Aluminium	SPGB72/6	700	270	6					•
		SPGA32/6	380	200	6			•		
		SPGA41/6	480	160	6	•				
		SPGA43/6	480	300	6					•
Hinge	316 stainless steel	SPGA71/6	780	160	6		•			
		SPGA72/6	700	270	6					•
LED light kit	12V	SPH/S	–	–	–	•	•	•	•	•
		BRLED300	–	300	–	•		•	•	
	24V	BRLED500	–	500	–		•			
		BRLED300/24	–	300	–	•		•	•	
Light mounting kit	To suit LEDlight kits	BRLED500/24	–	500	–					•
		IPLKB04^	–	–	–				•	
		SPLKB05^	–	–	–	•				•
		IPLKB08^	–	–	–		•			•

^ Light not included, purchased separately

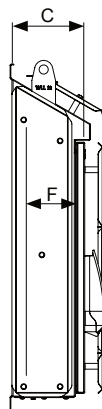


See Pages 92-93 for more information about B&R's range of lighting solutions or contact your local sales representative to discuss your requirements.

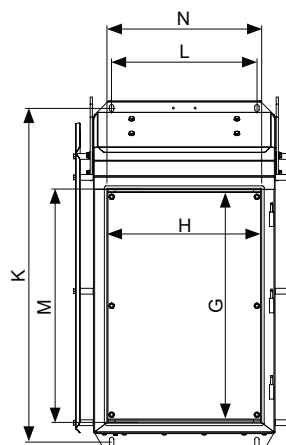
TECHNICAL DRAWINGS



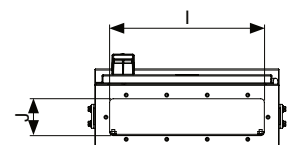
Front View



Side View



Front View
(Door Removed)



Bottom View

Pilbara SP with Sunshades – 316 Stainless Steel

Mining and Industrial Enclosures



- Designed for the most common mining, mineral processing and infrastructure projects.
- used in local control stations, mini control consoles or motor isolation control stations.
- 30° sloping roof to prevent build up of water and solids.
- Lifting lugs conform to *AS4991:LiftingDevices*.
- One (1) tonne SWL on each lifting lug (excluding SP040425).
- Region D wind rated to *AS1170.2-2002:Structural design actions – Wind actions*
- Easy installation with top and bottom mounting flanges.
- Conformity, Approvals:
Lloyds Register #06/10007 (E2)
- Manufactured from 1.5mm thick 316 stainless steel.
- N4 surface finish or powdercoated X15 orange.

Comes standard with:

- Sunshades – top, door and both sides
- Steel mounting pan powdercoated white
- Stainless steel padlockable swing handle with LockSock®
- 3-point locking (excluding SP040425range)
- 2mm stainless steel gland plate
- Lifting lugs on enclosures (excluding SP040425range)



ORDERING GUIDE

Part Number		Dimensions (mm)														
		External			Total		Internal	Mounting Pan		Gland Opening		Mounting Centres		Opening		Weight (kg)
316SS (N4)	X15 Orange	Height (A)	Width (B)	Depth (C)	Height (D)	Width (E)	Usable Depth (F)*	Height (G)	Width (H)	Width (I)	Depth (J)	Height (K)	Width (L)	Height (M)	Width (N)	
SP070522/S/SK	SP070522/SRO/SK	700	500	220	950	600	153	630	430	120	440	920	400	640	420	95.0
SP100822/S/SK	SP100822/SRO/SK	1000	800	220	1252	900	153	930	730	120	740	1218	600	940	720	145.0
SP040425/S/SK*	SP040425/SRO/SK*	400	400	250	680	500	203	330	330	140	320	641	300	340	320	65.0
SP070535/S/SK	SP070535/SRO/SK	700	500	350	1040	600	303	630	430	240	420	1005	400	640	420	110.0
SP100840/S/SK	SP100840/SRO/SK	1000	800	400	1365	900	353	930	730	210	640	1334	600	940	720	170.0

* From mounting pan to inside of door.

Does not come with a front sunshade.



See Page 72 for a range of lock options available for the Pilbara SP range.



Pilbara SP with Sunshades – 316 Stainless Steel

Mining and Industrial Enclosure



ACCESSORIES

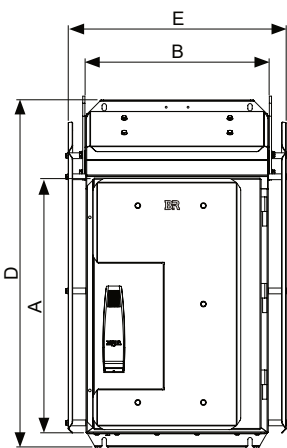
Product	Description	Part Number	Dimensions (mm)			SP070522/S/SK	SP070522/SRO/SK	SP100822/S/SK	SP100822/SRO/SK	SP040425/S/SK	SP040425/SRO/SK	SP070535/S/SK	SP070535/SRO/SK	SP100840/S/SK	SP100840/SRO/SK
			Height	Width	Depth										
Hinged escutcheon	Zinc coated steel	SPHE0404	400	400	-										
		SPHE0705	700	500	-	•	•					•	•		
		SPHE1008	1000	800	-			•	•					•	•
Gland plate	Brass	SPGB32/6	380	200	6					•	•				
		SPGB41/6	480	160	6	•	•								
		SPGB43/6	480	300	6							•	•		
		SPGB71/6	780	160	6			•	•						
		SPGB72/6	700	270	6									•	•
		SPGA32/6	380	200	6					•	•				
		SPGA41/6	480	160	6	•	•							•	•
Gland plate	Aluminium	SPGA43/6	480	300	6							•	•		
		SPGA71/6	780	160	6			•	•						
		SPGA72/6	700	270	6									•	•
		SPHE0705	700	500	-										
Hinge	316 stainless steel	SP/H/S	-	-	-	•	•	•	•	•	•	•	•	•	
LED light kit	12V	BRLED300	-	300	-	•				•	•				
		BRLED500	-	500	-		•								
	24V	BRLED300/24	-	300	-	•				•	•				
		BRLED500/24	-	500	-							•			
Light mounting kit	To suit LED light kits	IPLKB04^	-	-	-					•					
		SPLKB05^	-	-	-	•					•	•			
		IPLKB08^	-	-	-		•	•	•			•	•	•	

^ Light not included, purchased separately

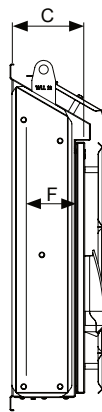


See Pages 92-93 for more information about B&R's range of lighting solutions or contact your local sales representative to discuss your requirements.

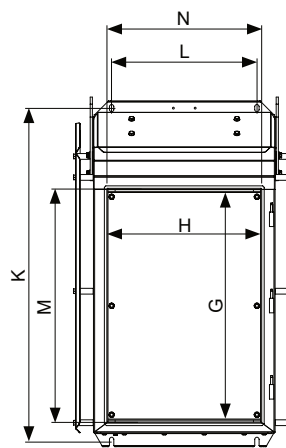
TECHNICAL DRAWINGS



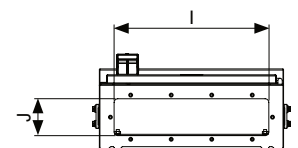
Front View



Side View



Front View
(Door Removed)



Bottom View

Lambert LB

Sunshaded Mining Enclosures



- 30° sloping roof to prevent build up of water and solids.
- Fully enclosed 3-point locking system.
- Easy installation with top and bottom mounting flanges.
- Removable doors with pintle hinges.
- Lifting lugs conform to *AS4991:Lifting Devices*.
- One (1) tonne SWL on each lifting lug.
- Region D wind rated to *AS1170.2-2002:Structural design actions – Wind actions*
- Conformity, Approvals:
Lloyds Register #06/10007 (E2)
- Manufactured from 1.5mm thick 316 stainless steel.
- N4 surface finish.

Comes standard with:

- Sunshades – top, doors, sides and rear
- Full width steel rear mounting pan powdercoated white
- Stainless steel padlockable swing handle with LockSock®
- Door stays
- 3mm brass gland plate
- Door rails
- Earth strap kit



ORDERING GUIDE

Part Number	Dimensions (mm)															
	External			Internal				Mounting Pan		Gland Opening		Mounting Centres		Opening		Weight* (kg)
	Height (A)	Width (B)	Depth (C)	Total Height (D)	Total Width (E)	Total Depth (F)	Usable Depth (G)	Height (H)	Width (I)	Width (J)	Depth (K)	Height (L)	Width (M)	Height (N)	Width (O)	
LB100840/S	1000	800	400	1368	896	502	324	930	730	640	210	1335	600	940	720	250.0
LB101040/S	1000	1000	400	1368	1096	502	324	930	930	840	210	1335	800	940	920	300.0
LB101440/S	1000	1400	400	1368	1496	502	324	930	1330	540	210	1335	1320	940	1320	320.0

* Includes crate for safe transportation

ACCESSORIES

Product	Description	Part Number	Dimensions (mm)			LB100840/S	LB101040/S	LB101440/S
			Height	Width	Depth			
Side mounting pan	Powdercoated B33 Mist Blue	LBSMP1040	930	200	15	•	•	•
Powdercase	Lockable	LBLPC/020315	233	300	167	•	•	•
		LBLPC/020615	233	600	167	•	•	•



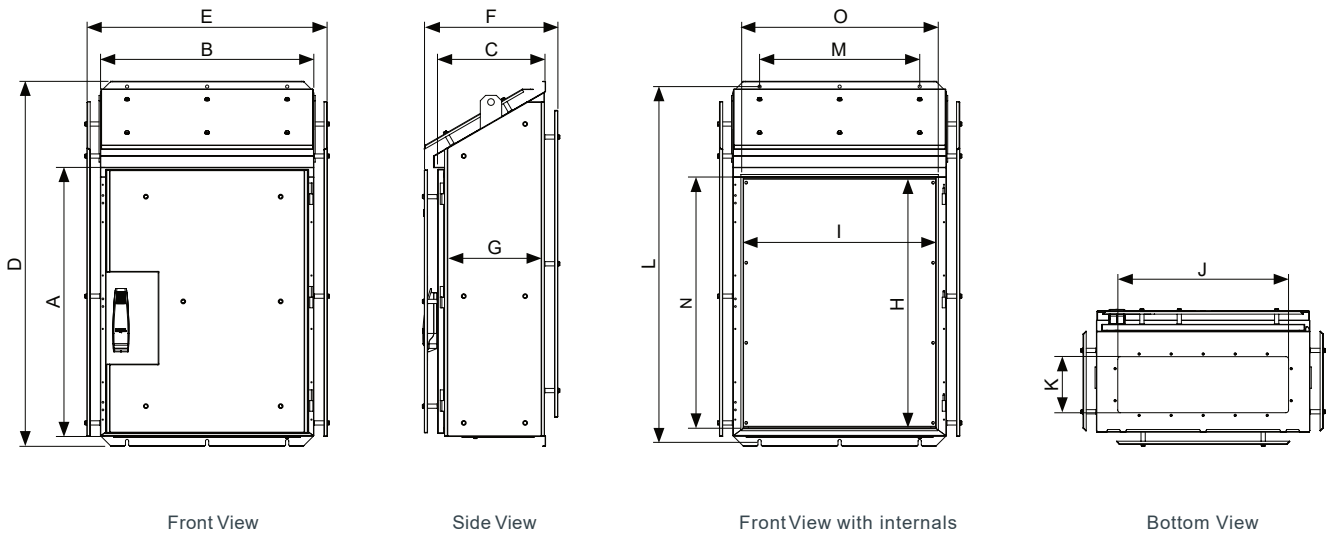
See Page 72 for a range of lock options available for the Lambert LB range.



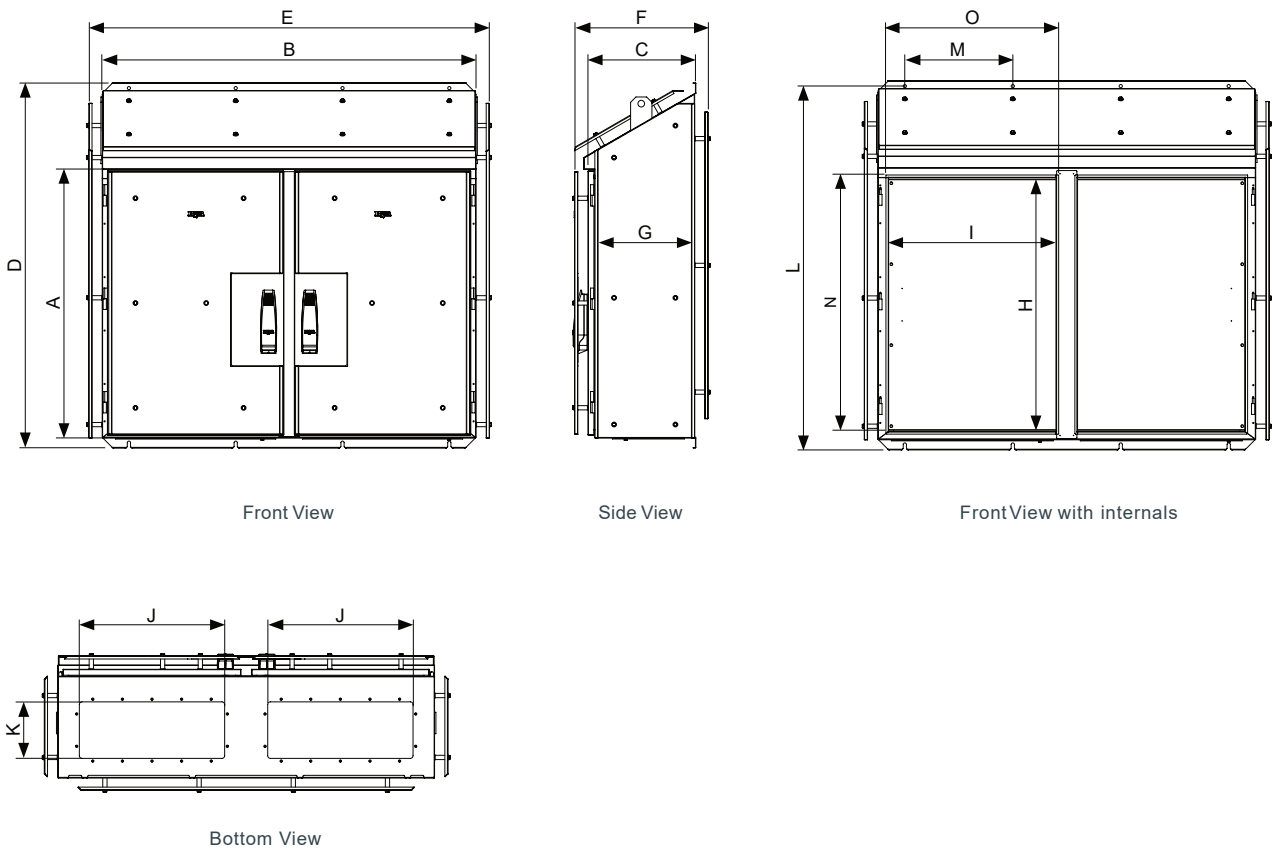
For more information
brenclosures.com.au/lb.htm

TECHNICAL DRAWINGS

LB100840/S & LB101040/S



LB101440/S



Universal PB

Modular Universal Distribution Board System



- Highly robust distribution board system.
- Design based on Universal NI series.
- Includes unique and universal equipment fixing system.
- Manufactured from 1.6mm thick zinc coated steel or 1.5mm thick 316 stainless steel.
- Powdercoated Pebble Grey RAL7032 or N4 surface finish.

Comes standard with:

- Top and bottom gland plates (except on extension box)
- Hinged escutcheon (fixed escutcheon on extension box)
- Slotted universal equipment mounting rails (2x46mm rail & 1x121mm rail)
- Scheduleholder and identification card (except on extension box)
- NI020 lock on powdercoated steel and NI020/S on stainless steel
- Earth strap kit



ORDERING GUIDE

Part Number		Dimensions (mm)										Weight (kg)
		External			Gland Opening		Opening		Escutcheon			
Zinc coated steel	316 stainless steel	Height (A)	Width (B)	Depth (C)	Width (D)	Depth (E)	Height (F)	Width (G)	Height (H)	Width (I)		
PB0750	PB0750/S	750	600	234	440	120	705	555	697	461	31.0	
PB0860	PB0860/S	860	600	234	440	120	815	555	807	461	34.0	
PB0970	PB0970/S	970	600	234	440	120	925	555	917	461	38.0	
PB1200	PB1200/S	1200	600	234	440	120	1155	555	1147	461	45.0	
PB1400	PB1400/S	1400	600	234	440	120	1355	555	1347	461	52.0	
PB1600	PB1600/S	1600	600	234	440	120	1555	555	1547	461	59.0	
Control Extension Box												
PB0350*	PB0350/S	350	600	234	440	120	305	555	297	461	14.0	

* Hinged escutcheon supplied on all units except for the control extension box, which has fixed escutcheon.



See Page 72 for a range of lock options available for the Universal PB range.



Universal PB

Modular Universal Distribution Board System

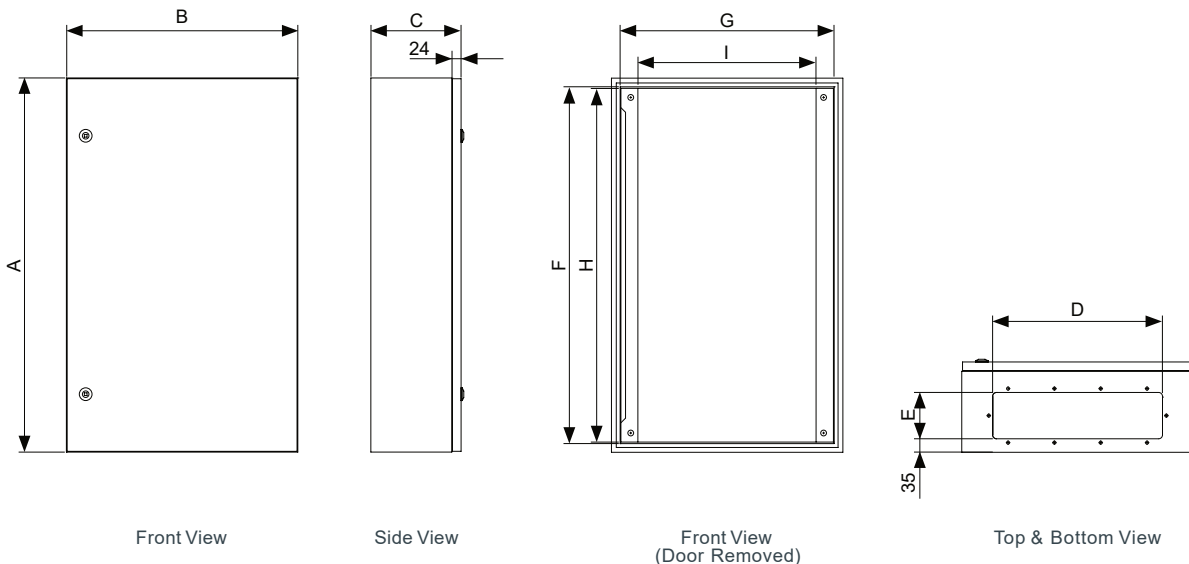


ACCESSORIES

Product	Description	Part Number	Dimensions (mm)			PB0350	PB0350/S	PB0750	PB0750/S	PB0860	PB0860/S	PB0970	PB0970/S	PB1200	PB1200/S	PB1400	PB1400/S	PB1600	PB1600/S
			Height	Width	Depth														
Rainhoods	Zinc coated steel	PBRH062	46	600	250	•	•	•	•	•	•	•	•	•	•	•	•	•	•
	316 stainless steel	PBRH062/S	46	600	250	•	•	•	•	•	•	•	•	•	•	•	•	•	•
Gland plates	Zinc coated steel	PBGP062	120	440	1.6	•	•	•	•	•	•	•	•	•	•	•	•	•	•
	316 stainless steel	PBGS062	120	440	1.5	•	•	•	•	•	•	•	•	•	•	•	•	•	•
	Brass	PBGB062/3	120	440	3	•	•	•	•	•	•	•	•	•	•	•	•	•	•
	Aluminium	PBGA062/6	120	440	6	•	•	•	•	•	•	•	•	•	•	•	•	•	•
Escutcheon	Fixed	PBFE0350D	302	552	350	•	•												
	Hinged	PBHE0350	302	552	350	•	•												
Mounting base	3mm galvanised steel	PBBM062	100	600	210	•	•	•	•	•	•	•	•	•	•	•	•	•	•
Wall mounting brackets	Zinc coated steel	PBEMB	50	700	-	•	•	•	•	•	•	•	•	•	•	•	•	•	•
	316 stainless steel	PBEMB/S	50	700	-	•	•	•	•	•	•	•	•	•	•	•	•	•	•
Equipment mounting rails	Universal slotted	PBEMR1	46	524	23	•	•	* * *	* * *	* * *	•	•	•	•	•	•	•	•	•
		PBEMR2	121	524	23	•	•	** ** *	** ** *	** ** *	•	•	•	•	•	•	•	•	•
		PBEMR3	46	524	43	•	•	•	•	•	•	* * *	* * *	•	•	•	•	•	•
		PBEMR4	121	524	43	•	•	•	•	•	•	** ** *	** ** *	** ** *	•	•	•	•	•
		PBEMR5	46	524	63	•	•	•	•	•	•	•	•	•	•	•	* * *	* * *	* * *
		PBEMR6	121	524	63	•	•	•	•	•	•	•	•	•	•	•	** ** *	** ** *	** ** *
DIN rail mounting kit	Aluminium	PBDRK1	35	528	-	•	•	•	•	•	•	•	•	•	•	•	•	•	
External vent kit	Zinc coated steel	IPVK	130	130	-	•	•	•	•	•	•	•	•	•	•	•	•	•	
	316 stainless steel	IPVK/S	130	130	-	•	•	•	•	•	•	•	•	•	•	•	•	•	
Surround kit	Flush mount	PBFK0350	-	-	-	•													
		PBFK0750	-	-	-		•												
		PBFK0860	-	-	-			•											
		PBFK0970	-	-	-						•								
		PBFK1200	-	-	-							•							
		PBFK1400	-	-	-											•			
PBFK1600	-	-	-														•		

* 1 equipment mounting rail provided in standard enclosure
 ** 2 equipment mounting rails provided in standard enclosure

TECHNICAL DRAWINGS



Monarch SMB & CT

Small Main Boards and CT Chassis Systems up to 630A



- Small main board developed as a solution to various local electricity and distribution requirements.
- CT chassis are type tested and certified for up to 50kA for 1 second.
- Manufactured from 1.6mm thick zinc coated steel or 1.5mm thick 316 stainless steel.
- Powdercoated Pebble Grey RAL7032 or N4 surface finish.



ORDERING GUIDE

Part Number	Description	CT Chassis Rating (A)	Test	Dimensions (mm)			
				Height	Width	Depth	Weight (kg)
SMB ENCLOSURES IP66							
SMB1/1	Cabinet supplied with meter and consumer panel (NT, SA, NSW, TAS)	600A	50kA for 1 sec	2000	800	500	160.0
SMB1/15	Cabinet supplied with meter and consumer panel (ex VIC)	630A	36kA for 1 sec	2075	800	500	185.0
SMB1/15/S	Cabinet supplied with meter and consumer panel (ex VIC)	630A	36kA for 1 sec	2075	800	500	170.0
SMB1/40	Cabinet supplied with meter and consumer panel (QLD only)	600A	50kA for 1 sec	2000	800	400	163.0
CT ENCLOSURES IP33							
CTB/E2	Cubicle empty fitted with 3 x 32A HRC potential fuses (holders only), weatherproof. To suit CTC200/400A and CTC/630A. Available in RAL7035 Light Grey.			500	720	340	17.0
CT CHASSIS							
CTC/68	CT chassis with busbar	600A	50kA for 1 sec	550	770	100	16.0
CTC200/400A	CT chassis for S-Type CTs	200/400A	25kA for 1 sec	500	400	95	8.0
CTC630A	CT chassis for T-Type CTs	630A	36kA for 1 sec	500	400	120	11.0

SMALL MAIN BOARD ACCESSORIES

Part Number	Description
CT/SQK	Potential fuse mounting bracket to suit CT1 and SMB (South QLD area)
CTPFK	Current transformer potential fuse kit – no fuse links



See Page 72 for a range of lock options available for the Monarch SMB range.



DID YOU KNOW?

B&R's range of IP66 Infinity 3G modular switchboards are an alternative solution to the Monarch SMB & CT enclosures.



For more information
« brenclosures.com.au/smb-3.htm

Project Profile

AuScope COR Project, WA



AuScope COR is a network of Global Navigational Satellite System Continuously Operating Reference Station (CORS) located around Australia, forming part of the federally funded AuScope program.



COR technology is now being used worldwide with applications developing in many fields including scientific research, precision navigation, engineering and precision agriculture. AuScope is a non-profit company putting Australia in the lead for international geoscience and geospatial research.

Applications which may use information produced by the AuScope COR network include monitoring both slow and rapid movement of the earth's crust, calculating and monitoring sea level change, updating co-ordinate data and atmospheric modelling. The information captured by AuScope contributes significantly to environmental monitoring and management, and provides a platform for innovative commercial developments in the spatial, minerals, energy and water industries.

“B&R we able supply a solution to meet the customer's needs and suit the environment in which it is installed.”



The operational life of an AuScope COR site is a minimum of 20 years. For the purpose of scientific research as well as the determination and maintenance of the co-ordinate datum, long uninterrupted “time series” data is crucial. Ideally, once a site is established, it will operate on a permanent basis. For this reason, a major consideration when selecting a site, is its long-life and security.

THE B&R SOLUTION

B&R were able to supply Field FC enclosures to meet customer specifications. The key features being security and Australian made product ensured long-life. By working closely with the customer, B&R were able to design a product to meet the needs of the customer. has been able to satisfy their needs with a diverse range of products to suit the environment in which it is installed.



For more information
« brenclosures.com.au/project/auscope-cors/

Signature SE

Our Signature SE product range offers customers a type-tested, AS/NZS 61439 compliant switchboard and motor control centre solution up to 3200Amp.

Signature SE range of products offer customers a type-tested, certified solution for any commercial or industrial electrical installations. Signature SE range provides quality and performance and is designed to make final assembly of busbars and electrical equipment easy and affordable.

The Signature SE switchboard system has been extensively used over the past fifteen years on major mining and infrastructures projects throughout Australia and SE Asia.

In recent times, the addition of our Signature Express range enables customers to purchase a pre-configured, fully assembled product shipped from our factory in 10 working days after we receive placement of commercially and technically clear order.



Comparison of Signature SE Range

		Signature Express	Signature SE**
Service & Delivery	Shipping ex factory within 10 working days	✓	
	Shipping ex factory 20-25 working days		✓
	Internal components pre-shipment within 2-3 working days	✓	✓
	Quote turnaround time < 24 hours	✓	
	CAD Blocks available	✓	✓
Busbar	Current Rating	1600A*	3400A
Variation	Customisable		✓
Finish	Available in any powdercoat colour	X-15 Orange Ripple only	✓
Bases	75mm high bases powdercoated matte black	✓	✓
	50mm high bases		✓
Configurations	Top Bus – 600mm deep	✓	✓
	Top Bus – 800mm deep		✓
	Mid Bus – 600mm deep	✓	✓
	Mid Bus – 800mm deep		✓
	Bottom Bus – 600mm deep	✓	✓
	Bottom Bus – 800mm deep		✓

* Limited by recommended capacity of an ACB main incomer.

** The full range of standard Signature SE configurations are available on a 4-6 week lead time.



Features of Signature SE

- Modular construction
- NATA / ASTA certified
- Configurations eliminates duplication of parts and maximises the efficiency of assembly.
- Ingress Protection IP43 or IP55.
- Short circuit withstand 65kA/3
- Rated insulation voltage <1000V
- Dielectric properties 3.5kV
- Impulse voltage withstand <16kV
- Thermal current rating Main Bus up to 3200A
- Thermal current rating vertical dropper bus <1000A
- In-built arc fault containment (standard tests)
- CAD blocks available online.



NEED TO KNOW MORE?

For more information on any of our AS/NZS 61439 certified solutions visit brenclosures.com.au or contact your local B&R sales representative.



Locks

Locks to suit special purpose enclosures

Standard Single Point Locks



Enclosure		
Universal DD ≤1600mm	DD020 – chromed steel with 7mm square steel insert	DD020/PS – black powdercoated lock with 7mm square stainless steel insert
Universal DD +1600mm	DD050 – lockable L handle keyed 92268	DD050 – lockable L handle keyed 92268
Incline SR	–	NI020/S – stainless steel lock with 7mm square stainless steel insert
Hedland PH	–	NI020/S – stainless steel lock with 7mm square stainless steel insert
Bowen Series	–	NI028S/S – stainless steel lock with 8mm square slotted stainless steel insert
Pilbara SP	SP/LCK – chromed steel padlockable swing handle with LockSock®	SP/LCK/S – stainless steel padlockable swing handle with LockSock®
Lambert LB	–	SP/LCK/S – stainless steel padlockable swing handle with LockSock®
Miner ME	NI020 – chromed steel with 7mm square steel insert	–
Universal PB	NI020 – chromed steel with 7mm square steel insert	NI020/PS – black powdercoated lock with 7mm square stainless steel insert

Single Point Lock Options for Special Purpose Enclosures

There are a number of lock options available that are suitable for use on special purpose enclosures. Contact your local sales representative to discuss your requirements.

Product	Description	Part Number	Standard Lock/Insert	Alternative insert	Keys		
					Lockable handles	Plastic, 3-way	Aluminium, 4-way
Turnbuckle	chromed steel	NI020	7mm square – steel	See page 73		SKU	SKZ
		DD020	7mm square – steel	See page 73		SKU	SKZ
	powdercoated	NI020/PS	7mm square – stainless steel	See page 73		SKU	SKZ
		DD020/PS	7mm square – stainless steel	See page 73		SKU	SKZ
	stainless steel	NI020/S	7mm square – stainless steel	See below		SKU	SKZ
		NI028S/S	8mm square slotted – stainless steel	See below			
Wing knob	lockable	NI030	Key code 92268			SK3	
		NI030/CL001	Key code CL001				
		NI030/L003	Key code L003				
		DD030	Key code 92268			SK3	
	non-lockable	NI111	–				
		DD111	–				
T-handle	lockable	NI040	Key code 92268			SK3	
		DD040	Key code 92268			SK3	
L-handle	lockable	NI050	Key code 92268			SK3	
		DD050	Key code 92268			SK3	
	padlockable – steel	NI052	–				
		DD052	–				
	padlockable – stainless steel	NI052/S	–				
		DD052/S	–				
Swing handle	padlockable – steel	SP/LCK	–				
	padlockable – stainless steel	SP/LCK/S	–				
LockSock®	plastic	SP/LCK/DC	To suit SP/LCK				
Dust cap	plastic	NI020/DC	To suit NI020 lock				

Locks

Locks to suit special purpose enclosures



Lock Inserts for Locks

The NI020 locks are available with an option lock insert for use on all special purpose enclosures. Contact your local sales engineer to discuss your requirements.

To suit lock style	Description	To suit lock	Standard Insert	3mm double bit pin		8mm square		8mm square slotted		8mm triangle	
				Steel	Stainless Steel	Steel	Stainless Steel	Stainless Steel	Steel	Stainless Steel	
Turnbuckle	chromed steel	NI020 or DD020	7mm square – steel	LKINS3P		LKINS8S		LKINS8SS/S		LKINS8T	
	powdercoated with SS insert	NI020/PS or DD020/PS	7mm square – stainless steel		LKINS3P/S		LKINS8S/S		LKINS8SS/S		LKINS8T/S
	stainless steel	NI020/S or DD020/PS	7mm square – stainless steel		LKINS3P/S		LKINS8S/S		LKINS8SS/S		LKINS8T/S
Key required – aluminium			SKZ	SKZ	SKZ	SK8	SK8	SK8		SKZ	SKZ
Key required – plastic			SKU	SKU	SKU					SKU	SKU

Standard Three Point Locks

Enclosure	SH	SS
Finucane FI	–	Internal Enclosure – IP060/S Padlockable stainless steel swing handle Sunshade Enclosure – IP050 Key lockable L handle keyed to 92268

Monarch IP – Zinc Coated Steel

Industrial Enclosures and Switchboard Building Systems



- Suitable for small motor control applications, lighting, CT metering and smaller switchboard applications.
- Premium enclosure and switchboard building system designed to be the ultimate in flexibility.
- Conformity, Approvals:
 - Lloyds Register #06/10007 (E2)
- Manufactured from 1.6mm thick zinc coated steel.
- Powdercoated Pebble Grey RAL7032.

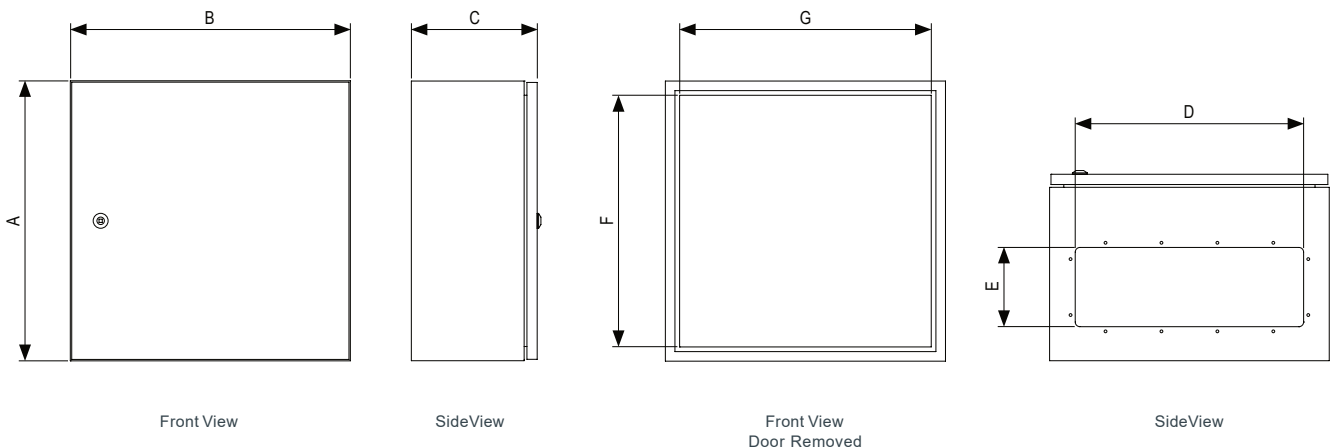
Comes standard with:

- 'C' rail mountings (4 rails on heights up to 1000mm and 8 rails on 1200mm and above)
- Gland plate (fitted internally or externally)
- Chromed steel lock with 7mm square steel insert (IP020) on units below 1600mm high and lockable L handles (IP050) on others
- 3-point locking on units of 600mm high and above
- Removable back on units 400mm deep and deeper
- Door rails and earth strap kit



TECHNICAL DRAWINGS

i See Page 91 for a range of lock options available for the Monarch IP range.



ACCESSORIES QUICK SELECTION

Accessories	Page No.	Accessories	Page No.	Accessories	Page No.
Rainhoods	80	Escutcheon Rails	84	Standard Rails – C Section	88
Gland Plates	80	Fixed Escutcheons	85	Universal Rails	88
Plinths	81	Mounting Brackets	85	19" Mounting Rails	88
Vent Kits	81	Universal Rail Kits	86	Laptop Lecterns	88
Vent Hoods	82	Door Stays	86	Document Holders	89
Mounting Pans	82-83	Eye Bolts	86	Schedule Holders	89
Insulating Panels	83	Shelves	87	Backmount Frame / Load Centre	89
Hinged Escutcheons	84	DIN Rails	87	General Accessories	90



Monarch IP – Zinc Coated Steel

Industrial Enclosures and Switchboard Building Systems



ORDERING GUIDE

Part Number	Dimensions (mm)							Weight (kg)
	External			Gland Opening		Opening		
	Height (A)	Width (B)	Depth (C)	Width (D)	Depth (E)	Height (F)	Width (G)	
IP13132	400	400	270	250	120	340	340	13.0
IP21132	600	400	270	250	120	540	340	17.0
IP13212	400	600	270	440	120	340	540	17.0
IP21212	600	600	270	440	120	540	540	22.0
IP29212	800	600	270	440	120	740	540	28.0
IP37212	1000	600	270	440	120	940	540	33.0
IP45212	1200	600	270	440	120	1140	540	38.0
IP21292	600	800	270	440	120	540	740	28.0
IP13214	400	600	400	490	170	340	540	21.0
IP21214	600	600	400	490	170	540	540	27.0
IP29214	800	600	400	490	170	740	540	28.0
IP45214	1200	600	400	490	170	1140	540	45.0
IP61214	1600	600	400	490	170	1540	540	57.0
IP69214	1800	600	400	490	170	1740	540	63.0
IP77214	2000	600	400	490	170	1940	540	69.0
IP25254	700	700	400	490	170	640	640	33.0
IP37254	1000	700	400	490	170	940	640	43.0
IP21294	600	800	400	490	170	540	740	33.0
IP29294	800	800	400	490	170	740	740	40.0
IP45294	1200	800	400	490	170	1140	740	54.0
IP61294	1600	800	400	490	170	1540	740	69.0
IP69294	1800	800	400	490	170	1740	740	76.0
IP77294	2000	800	400	490	170	1940	740	83.0
IP77135	2000	400	500	250	170	1740	340	48.0
IP29215	800	600	500	490	170	740	540	37.0
IP45215	1200	600	500	490	170	1140	540	50.0
IP61215	1600	600	500	490	170	1540	540	64.0
IP69215	1800	600	500	490	170	1740	540	70.0
IP77215	2000	600	500	490	170	1940	540	77.0
IP21295	600	800	500	490	170	540	740	37.0
IP45295	1200	800	500	490	170	1140	740	60.0
IP61295	1600	800	500	490	170	1540	740	76.0
IP69295	1800	800	500	490	170	1740	740	83.0
IP77295	2000	800	500	490	170	1940	740	91.0
IP77136	2000	400	600	440	120	1740	340	54.0
IP29216	800	600	600	490	170	740	540	42.0
IP45216	1200	600	600	490	170	1140	540	56.0
IP61216	1600	600	600	490	170	1540	540	70.0
IP77216	2000	600	600	490	170	1940	540	84.0
IP77296	2000	800	600	490	170	1940	740	99.0
IP77298	2000	800	800	490	170	1940	740	109.0

Monarch IP – 316 Stainless Steel

Industrial Enclosures & Switchboard Building Systems



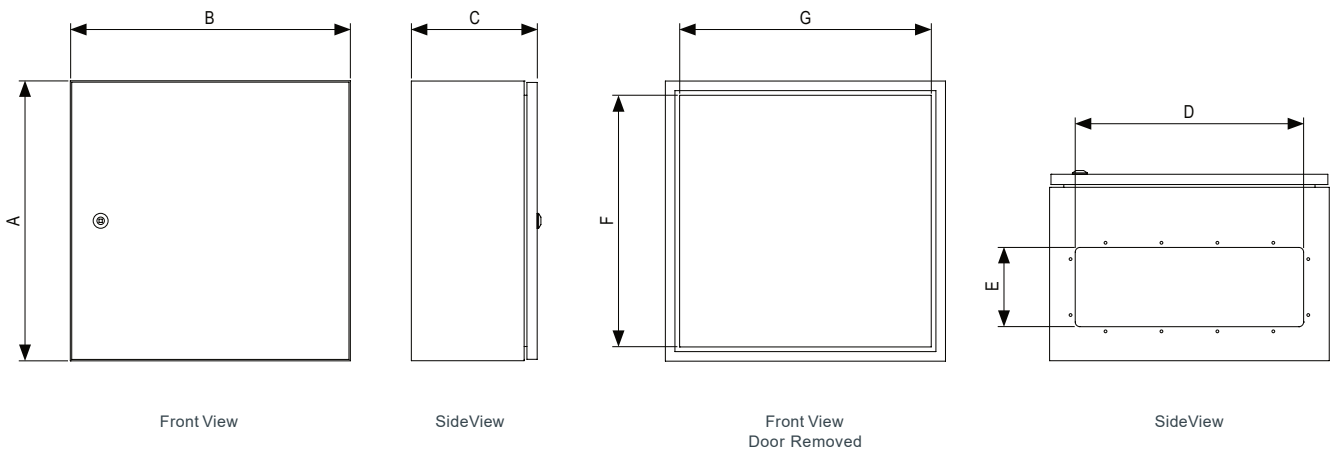
- Suitable for small motor control applications, lighting, CT metering and smaller switchboard applications.
- Premium enclosure and switchboard building system designed to be the ultimate in flexibility.
- Conformity, Approvals:
 - Lloyds Register #06/10007 (E2)
- Manufactured from 1.2/1.5mm thick 316 stainless steel.
- N4 surface finish.
- Comes standard with:
 - 'C' rail mountings (4 rails on heights up to 800mm and 8 rails on 1200mm and above)
 - Gland plate (fitted internally or externally on 400mm deep and deeper)
 - Stainless steel lock with 7mm square stainless steel insert (IP020/S) on units below 1600mm high and lockable L handles (IP050) on others
 - 3-point locking on units of 600mm high and above
 - Removable back on units 400mm deep and deeper
 - Door rails and earth strap kit



TECHNICAL DRAWINGS



See Page 91 for a range of lock options available for the Monarch IP range.



ACCESSORIES QUICK SELECTION

Accessories	Page No.	Accessories	Page No.	Accessories	Page No.
Rainhoods	80	Escutcheon Rails	84	Standard Rails – C Section	88
Gland Plates	80	Fixed Escutcheons	85	Universal Rails	88
Plinths	81	Mounting Brackets	85	19" Mounting Rails	88
Vent Kits	81	Universal Rail Kits	86	Laptop Lecterns	88
Vent Hoods	82	Door Stays	86	Document Holders	89
Mounting Pans	82-83	Eye Bolts	86	Schedule Holders	89
Insulating Panels	83	Shelves	87	Backmount Frame / Load Centre	89
Hinged Escutcheons	84	DIN Rails	87	General Accessories	90



Monarch IP – 316 Stainless Steel

Industrial Enclosures & Switchboard Building Systems



ORDERING GUIDE

Part Number	Dimensions (mm)							Material Thickness	Weight (kg)
	External		Gland Opening		Opening				
	Height (A)	Width (B)	Depth (C)	Width (D)	Depth (E)	Height (F)	Width (G)		
IP09051/S*	300	200	175	–	–	255	155	1.2	4.2
IP13091/S	400	300	175	–	–	355	255	1.2	7.0
IP13132/S	400	400	270	–	–	340	340	1.5	16.0
IP21132/S	600	400	270	–	–	540	340	1.5	16.0
IP13212/S	400	600	270	–	–	340	540	1.5	16.0
IP21212/S	600	600	270	–	–	540	540	1.5	21.0
IP29212/S	800	600	270	–	–	740	540	1.5	26.0
IP37212/S	1000	600	270	–	–	940	540	1.5	31.0
IP45212/S	1200	600	270	–	–	1140	540	1.5	36.0
IP21292/S	600	800	270	–	–	540	740	1.5	26.0
IP13214/S	400	600	400	490	170	340	540	1.5	20.0
IP21214/S	600	600	400	490	170	540	540	1.5	25.0
IP29214/S	800	600	400	490	170	740	540	1.5	31.0
IP45214/S	1200	600	400	490	170	1140	540	1.5	42.0
IP61214/S	1600	600	400	490	170	1540	540	1.5	53.0
IP69214/S	1800	600	400	490	170	1740	540	1.5	59.0
IP77214/S	2000	600	400	490	170	1940	540	1.5	65.0
IP25254/S	700	700	400	490	170	640	640	1.5	31.0
IP37254/S	1000	700	400	490	170	940	640	1.5	40.0
IP21294/S	600	800	400	490	170	540	740	1.5	31.0
IP29294/S	800	800	400	490	170	740	740	1.5	38.0
IP37294/S	1000	800	400	490	170	940	740	1.5	44.0
IP45294/S	1200	800	400	490	170	1140	740	1.5	51.0
IP61294/S	1600	800	400	490	170	1540	740	1.5	64.0
IP69294/S	1800	800	400	490	170	1740	740	1.5	71.0
IP77294/S	2000	800	400	490	170	1940	740	1.5	78.0
IP21295/S	600	800	500	490	170	540	740	1.5	35.0
IP29215/S	800	600	500	490	170	740	540	1.5	35.0
IP45215/S	1200	600	500	490	170	1140	540	1.5	47.0
IP61215/S	1600	600	500	490	170	1540	540	1.5	60.0
IP69215/S	1800	600	500	490	170	1740	540	1.5	66.0
IP77215/S	2000	600	500	490	170	1940	540	1.5	72.0
IP45295/S	1200	800	500	490	170	1140	740	1.5	57.0
IP61295/S	1600	800	500	490	170	1540	740	1.5	71.0
IP69295/S	1800	800	500	490	170	1740	740	1.5	78.0
IP77295/S	2000	800	500	490	170	1940	740	1.5	85.0
IP29216/S	800	600	600	490	170	740	540	1.5	39.0
IP45216/S	1200	600	600	490	170	1140	540	1.5	52.0
IP61216/S	1600	600	600	490	170	1540	540	1.5	66.0
IP77216/S	2000	600	600	490	170	1940	540	1.5	79.0
IP77296/S	2000	800	600	490	170	1940	740	1.5	93.0

* Does not include body rails or C rails.



The IP09051/S & IP13091/S do not come with body rails or C rails.

Monarch IP – Aluminium

Industrial Enclosures and Switchboard Building Systems



- Suitable for small motor control applications, lighting, CT metering and smaller switchboard applications.
- Premium enclosure and switchboard building system designed to be the ultimate in flexibility.
- Conformity, Approvals:
Lloyds Register #06/10007 (E2)
- Manufactured from 2.5mm thick aluminium.
- Powdercoated Light Grey RAL7035.

Comes standard with:

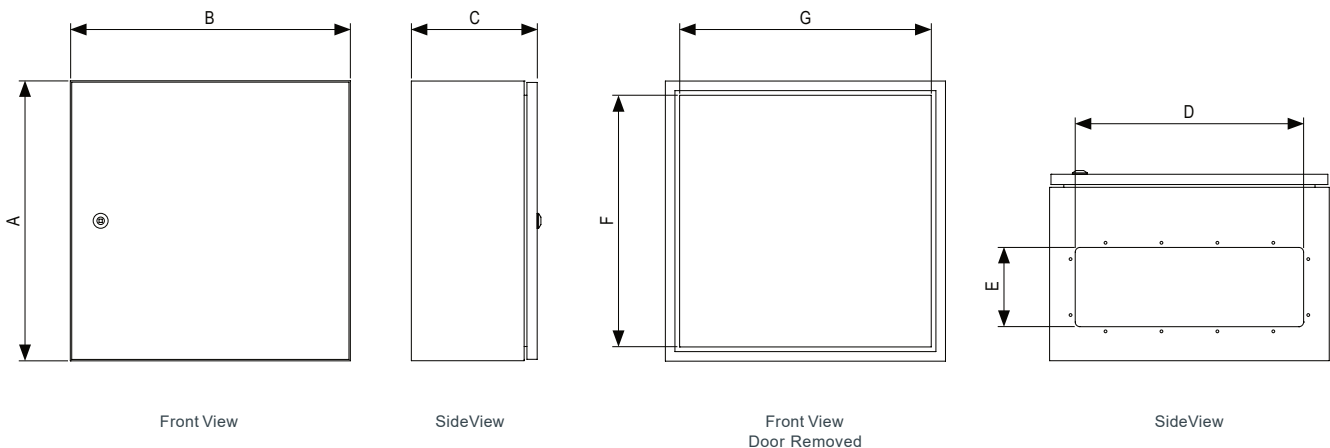
- 'C' rail mountings (4 rails on heights up to 800mm and 8 rails on 1200mm and above)
- Gland plate (fitted internally or externally)
- 7mm square turnbuckle lock (IP020/PS) on units below 1600mm high and lockable L handles (IP050) on others
- 3-point locking on units of 600mm high and higher
- Removable back on units 400mm deep and deeper
- Rear panel is internally secured
- Door rails and earth strap kit



TECHNICAL DRAWINGS



See Page 91 for a range of lock options available for the Monarch IP range.



ACCESSORIES QUICK SELECTION

Accessories	Page No.	Accessories	Page No.	Accessories	Page No.
Rainhoods	80	Escutcheon Rails	84	Standard Rails – C Section	88
Gland Plates	80	Fixed Escutcheons	85	Universal Rails	88
Plinths	81	Mounting Brackets	85	19" Mounting Rails	88
Vent Kits	81	Universal Rail Kits	86	Laptop Lecterns	88
Vent Hoods	82	Door Stays	86	Document Holders	89
Mounting Pans	82-83	Eye Bolts	86	Schedule Holders	89
Insulating Panels	83	Shelves	87	Backmount Frame / Load Centre	89
Hinged Escutcheons	84	DIN Rails	87	General Accessories	90



Monarch IP – Aluminium

Industrial Enclosures and Switchboard Building Systems



ORDERING GUIDE

Part Number	Dimensions (mm)							Weight (kg)
	External		Gland Opening		Opening			
	Height (A)	Width (B)	Depth (C)	Width (D)	Depth (E)	Height (F)	Width (G)	
IP13132/A*	407	407	272	250	120	341	341	6.5
IP21132/A*	607	407	272	440	120	541	341	8.5
IP13212/A	407	607	272	440	120	341	541	8.5
IP21212/A	607	607	272	440	120	541	541	11.0
IP29212/A*	807	607	272	440	120	741	541	13.0
IP37212/A*	1007	607	272	440	120	941	541	15.5
IP45212/A*	1207	607	272	440	120	1141	541	18.0
IP21292/A*	607	807	272	440	120	541	741	13.0
IP13214/A*	407	607	402	490	170	341	541	11.0
IP21214/A	607	607	402	490	170	541	541	15.0
IP29214/A	807	607	402	490	170	1141	541	18.0
IP45214/A*	1207	607	402	490	170	1541	541	24.0
IP61214/A*	1607	607	402	490	170	1141	541	30.0
IP69214/A*	1807	607	402	490	170	1741	541	34.0
IP77214/A*	2007	607	402	490	170	1941	541	37.0
IP25254/A*	707	707	402	490	170	641	641	18.0
IP37254/A*	1007	707	402	490	170	941	641	22.0
IP21294/A*	607	807	402	490	170	541	741	18.0
IP29294/A	807	807	402	490	170	741	741	21.0
IP37294/A*	1007	807	402	490	170	941	741	25.0
IP45294/A	1207	807	402	490	170	1141	741	29.0
IP61294/A*	1607	807	402	490	170	1541	741	37.0
IP69294/A*	1807	807	402	490	170	1741	741	40.0
IP77294/A*	2007	807	402	490	170	1941	741	44.0
IP29215/A*	807	607	502	490	170	741	541	21.0
IP45215/A*	1207	607	502	490	170	1141	541	27.0
IP61215/A*	1607	607	502	490	170	1541	541	34.0
IP69215/A*	1807	607	502	490	170	1741	541	37.0
IP77215/A	2007	607	502	490	170	1941	541	41.0
IP21295/A*	607	807	502	490	170	541	741	21.0
IP45295/A	1207	807	502	490	170	1141	741	32.0
IP61295/A	1607	807	502	490	170	1541	741	40.0
IP69295/A	1807	807	502	490	170	1741	741	44.0
IP77295/A*	2007	807	502	490	170	1941	741	48.0
IP29216/A*	807	607	602	490	170	741	541	27.0
IP45216/A*	1207	607	602	490	170	1141	541	36.0
IP61216/A*	1607	607	602	490	170	1541	541	40.0
IP77216/A*	2007	607	602	490	170	1741	541	45.0
IP77296/A*	2007	807	602	490	170	1941	741	53.0

* Available on request.

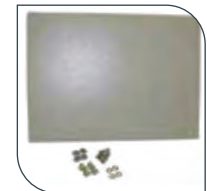
Monarch IP

Accessories to suit all Monarch IP enclosures

Rainhoods

Rainhoods are designed to shed water from the top of the enclosure to prevent it from pooling on top of the enclosure. The rainhoods have an overhang of 14mm.

Part Number	Material	Dimensions (mm)			Slope Angle (Degrees)	To suit enclosures (mm)		
		Height	Width	Depth		Width	Depth	
IPRH132	Zinc coated steel	30	400	284	2.0	400	270	
IPRH211		30	600	189	3.0	600	175	
IPRH212		30	600	284	2.0	600	270	
IPRH214		30	600	414	1.5	600	400	
IPRH215		30	600	514	1.0	600	500	
IPRH216		30	600	614	1.0	600	600	
IPRH254		30	700	414	1.5	700	400	
IPRH292		30	800	284	2.0	800	270	
IPRH294		30	800	414	1.5	800	400	
IPRH295		30	800	514	1.0	800	500	
IPRH296		30	800	614	1.0	800	600	
IPRH051/S		316 stainless steel	30	200	189	3.0	200	175
IPRH091/S			30	300	189	3.0	300	175
IPRH132/S			30	400	284	2.0	400	270
IPRH211/S			30	600	189	3.0	600	175
IPRH212/S			30	600	284	2.0	600	270
IPRH214/S	30		600	414	1.5	600	400	
IPRH215/S	30		600	514	1.0	600	500	
IPRH216/S	30		600	614	1.0	600	600	
IPRH254/S	30		700	414	1.5	700	400	
IPRH292/S	30		800	284	2.0	800	270	
IPRH294/S	30	800	414	1.5	800	400		
IPRH295/S	30	800	514	1.0	800	500		
IPRH296/S	30	800	614	1.0	800	600		

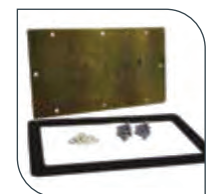


Zinc coated steel

Gland Plates

Designed for efficient and flexible fitting and installation of cable glands.

Part Number	Material	Dimensions (mm)			To suit enclosure (mm)	
		Width	Depth	Thickness	Width	Depth
IPGP31	Zinc coated steel	290	160	1.6	400	270
IPGP41		480	160	1.6	600 or 800	270
IPGP52		530	210	1.6	600, 700 or 800	400, 500 or 600
IPGS31	316 stainless steel	290	160	1.5	400	270
IPGS41		480	160	1.5	600 or 800	270
IPGS52		530	210	1.5	600, 700 or 800	400, 500 or 600
IPGB31	Brass	290	160	6	400	270
IPGB41		480	160	6	600 or 800	270
IPGB52		530	210	6	600, 700 or 800	400, 500 or 600
IPGA31	Aluminium	290	160	2.5	400	270
IPGA41		480	160	2.5	600 or 800	270
IPGA52		530	210	2.5	600, 700 or 800	400, 500 or 600



IPGB

Monarch IP

Accessories to suit all Monarch IP enclosures



Plinths

Designed for use when mounting enclosures on the floor.

Product	Material	Part Number	Dimensions (mm)			To suit enclosures (mm)	
			Height	Width	Depth	Width	Depth
Access plinths	Steel	IPPH214	200	600	374	600	400
		IPPH215	200	600	474	600	500
		IPPH216	200	600	574	600	600
		IPPH294	200	800	374	800	400
		IPPH295	200	800	474	800	500
		IPPH296	200	800	574	800	600
		IPPH295/3	300	800	470	800	500
	316 stainless steel	IPPH214/S	200	600	374	600	400
		IPPH215/S	200	600	474	600	500
		IPPH216/S	200	600	574	600	600
		IPPH294/S	200	800	374	800	400
		IPPH295/S	200	800	474	800	500
		IPPH296/S	200	800	574	800	600
		Plinth	Channel iron	IPPC212	75	600	241
IPPC214	75			600	371	600	400
IPPC215	75			600	471	600	500
IPPC216	75			600	571	600	600
IPPC254	75			700	371	700	400
IPPC294	75			800	371	800	400
IPPC295	75			800	471	800	500
IPPC296	75			800	571	800	600
IPPC424	75			1200	371	1200	400
IPPC425	75			1200	471	1200	500
IPPC504	75			1400	371	1400	400
IPPC505	75			1400	471	1400	500
IPPC584	75			1600	371	1600	400
IPPC585	75			1600	471	1600	500
Clamp bracket	Set of 4 (for use with channel iron plinth)	IPPCB	-	-	-	all	all
Gasket	Neoprene (4m length)	IPPC/G	3	20	-	all	all



IPPC

Vent Kits – IP23

Ensure that the enclosure does not become excessively hot by allowing natural circulation of air.

The vent kit includes a gasket, insert filter and fittings. Note that by the nature of this item, the enclosure will then not be rated to IP66.

Part Number	Material	Description	Dimensions (mm)		
			Height	Width	To suit cutout (mm)
IPVK	Zinc coated steel	Powdercoated RAL7032	130	130	80 x 80
IPVK/LG		Powdercoated RAL7035	130	130	80 x 80
IPVK/RO		Powdercoated X15 Orange	130	130	80 x 80
IPVK16		Powdercoated RAL7032	260	260	190 x 190
IPVK/S	316 stainless steel	-	130	130	80 x 80
IPVK16/S		-	260	260	190 x 190
IPVK/A	Aluminium	Powdercoated RAL7035	130	130	80 x 80
IPVK16/A			260	260	190 x 190



IPVK

Monarch IP

Accessories to suit all Monarch IP enclosures

Vent Hoods

Designed to suit B&R's range of fans, filters and vent kits (on selected sizes) to ensure that the fan is protected mechanically and to protect from water and dust ingress.

Part Number	Material	Colour	Dimensions (mm)			To suit
			Height	Width	Depth	
IPVH12	Zinc coated steel	Pebble Grey RAL7032	300	200	50	FAN/FIL12 & IPVK
IPVH12/LG		Light Grey RAL7035	300	200	50	FAN/FIL12 & IPVK
IPVH25		Pebble Grey RAL7032	400	300	50	FAN23/28 & FAN/FIL25
IPVH25/LG		Light Grey RAL7035	400	300	50	FAN23/28 & FAN/FIL25
IPVH35		Pebble Grey RAL7032	475	375	75	FAN/FIL35
IPVH35/LG		Light Grey RAL7035	475	375	75	FAN/FIL35
IPVH12/S	316 stainless steel	N4 finish	300	200	50	FAN/FIL12 & IPVK/S
IPVH12/SRO		X15 Orange	300	200	50	FAN/FIL12 & IPVK/S
IPVH25/S		N4 finish	400	300	50	FAN23/28 & FAN/FIL25
IPVH25/SRO		X15 Orange	400	300	50	FAN23/28 & FAN/FIL25
IPVH35/S		N4 finish	475	375	75	FAN/FIL35
IPVH35/SRO		X15 Orange	475	375	75	FAN/FIL35



IPVH & IPVH/S

Metal Mounting Pans

Very simple to install using the rails supplied as part of the Monarch IP enclosure. They are manufactured from 2mm thick pre-treated mild steel with a gloss white powdercoat finish.

Part Number	Dimensions (mm)			To suit enclosure (mm)	
	Height	Width	Thickness	Height	Width
IPMP0905	250	150	2	300	200
IPMP1309	350	250	2	400	300
IPMP1313	320	340	2	400	400
IPMP1321	320	540	2	400	600
IPMP2113	520	340	2	600	400
IPMP2121	520	540	2	600	600
IPMP2129	520	740	2	600	800
IPMP2525	620	640	2	700	700
IPMP2921#	720	540	2	800	600
IPMP2929#	720	740	2	800	800
IPMP3721#	920	540	2	1000	600
IPMP3725#	920	640	2	1000	700
IPMP3729#	920	740	2	1000	800
IPMP4521#	1120	540	2	1200	600
IPMP4529#	1120	740	2	1200	800
IPMP6121*	1520	540	2	1600	600
IPMP6129*	1520	740	2	1600	800
IPMP6921*	1720	540	2	1800	600
IPMP6929*	1720	740	2	1800	800
IPMP7721*	1920	540	2	2000	600
IPMP7729*	1920	740	2	2000	800



IPMP

* Mounting pan features double return on sides and single return on top for extra rigidity.

Mounting pan features single return on sides.

Monarch IP

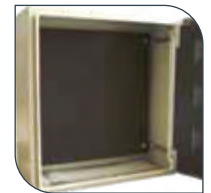
Accessories to suit all Monarch IP enclosures



Insulated Mounting Pans

Suitable where use of a metallic pan is not acceptable. Manufactured from black laminated phenolic material and supplied with all fixings, the insulated mounting pan is easy to install and use.

Part Number	Dimensions (mm)			To suit enclosure (mm)	
	Height	Width	Thickness	Height	Width
IPFP0905	250	150	6	300	200
IPFP1309	350	250	6	400	300
IPFP1313	320	340	6	400	400
IPFP1321	320	540	6	400	600
IPFP2113	520	340	6	600	400
IPFP2121	520	540	6	600	600
IPFP2129	520	740	6	600	800
IPFP2525	620	640	6	700	700
IPFP2921	720	540	6	800	600
IPFP2929	720	740	6	800	800
IPFP3721	920	540	6	1000	600
IPFP3725	920	640	8	1000	700
IPFP3729	920	740	8	1000	800
IPFP4521	1120	540	8	1200	600
IPFP4529	1120	740	8	1200	800



IPFP

Double Hinged Insulating Panels

Mainly used for metering applications. They are functional mounting solution for equipment installation that provides full access to the rear of the panel.

Part Number	Dimensions (mm)			To suit enclosure (mm)	
	Height	Width	Thickness	Height	Width
IPHP1313	320	325	6	400	400
IPHP1321	320	525	6	400	600
IPHP2113	520	325	6	600	400
IPHP2121	520	525	6	600	600
IPHP2129	520	725	6	600	800
IPHP2421	595	525	6	partial height	600
IPHP2429	595	725	6	partial height	800
IPHP2525	620	625	6	700	700
IPHP2921	720	525	6	800	600
IPHP2929	720	725	6	800	800
IPHP3221	795	525	6	partial height	600
IPHP3229	795	725	6	partial height	800
IPHP3721	920	525	6	1000	600
IPHP3725	920	625	8	1000	700
IPHP3729	920	725	8	1000	800
IPHP4521	1120	525	8	1200	600
IPHP4529	1120	725	8	1200	800



IPHP

Monarch IP

Accessories to suit all Monarch IP enclosures

Hinged Escutcheons

Used for covering internal controls and accessories. They can be mounted singularly or with two or more fitted into the enclosure. Fitting requires universal rail kit (see page 92).

Part Number	Dimensions (mm)			Required (rail kit)	To suit enclosures (mm)	
	Height	Width	Depth		Height	Width
IPHE1313	324	319	18	IPRK1313	400	400
IPHE1321	319	524	18	IPRK1321	400	600
IPHE2113	524	319	18	IPRK2113	600	400
IPHE2121	524	519	18	IPRK2121	600	600
IPHE2129	524	719	18	IPRK2129	600	800
IPHE2421	599	519	18	–	partial	600
IPHE2429	599	719	18	–	partial	800
IPHE2525	624	619	18	IPRK2525	700	700
IPHE2921	724	519	18	IPRK2921	800	600
IPHE2929	724	719	18	IPRK2929	800	800
IPHE3221	799	519	18	–	partial	600
IPHE3229	799	719	18	–	partial	800
IPHE3721	924	519	18	IPRK3721	1000	600
IPHE3725	924	619	18	IPRK3725	1000	700
IPHE3729	924	719	18	IPRK3729	1000	800
IPHE4521	1124	519	18	IPRK4521	1200	600
IPHE4529	1124	719	18	IPRK4529	1200	800
IPHE6121	1524	519	18	IPRK6121	1600	600
IPHE6129	1524	719	18	IPRK6129	1600	800
IPHE6921	1724	519	18	IPRK6921	1800	600
IPHE6929	1724	719	18	IPRK6929	1800	800
IPHE7721	1924	519	18	IPRK7721	2000	600
IPHE7729	1924	719	18	IPRK7729	2000	800



IPHE

Escutcheon Rails

Used where two escutcheons meet in the enclosures.

Part Number	Description	Height (mm)
IPEJ	Pack of 10	joining bracket
IPER05	–	525
IPER07	–	725
IPER19	–	1975



IPER

Monarch IP

Accessories to suit all Monarch IP enclosures



Fixed Esutcheons

Used for covering internal controls and accessories. They form a second tier mounting arrangement, in front of the mounting pan. They can be mounted singularly or with two or more fitted into the enclosure. Fitting requires universal rail kit (see page 92).

Part Number	Dimensions (mm)			Required (rail kit)	To suit enclosures (mm)	
	Height	Width	Depth		Height	Width
IPFE1308	324	199	18	–	–	–
IPFE1313	324	324	18	IPRK1313	400	400
IPFE1316	324	399	18	–	–	–
IPFE1321	324	524	18	IPRK1321	400	600
IPFE1329	324	724	18	–	400	800
IPFE1616	399	399	18	–	–	–
IPFE2108	524	199	18	–	600	–
IPFE2113	524	324	18	IPRK2113	600	400
IPFE2116	524	399	18	–	600	–
IPFE2121	524	524	18	IPRK2121	600	600
IPFE2129	524	724	18	IPRK2129	600	800
IPFE2408	599	199	18	–	–	–
IPFE2413	599	324	18	–	–	–
IPFE2416	599	399	18	–	–	–
IPFE2421	599	524	18	–	–	–
IPFE2429	599	724	18	–	–	–
IPFE2525	624	624	18	IPRK2525	700	700
IPFE2908	724	199	18	–	800	–
IPFE2916	724	399	18	–	800	–
IPFE2921	724	524	18	IPRK2921	800	600
IPFE2929	724	724	18	IPRK2929	800	800
IPFE3208	799	199	18	–	–	–
IPFE3213	799	324	18	–	–	–
IPFE3216	799	399	18	–	–	–
IPFE3221	799	524	18	–	–	–
IPFE3229	799	724	18	–	–	–
IPFE3708	924	199	18	–	–	–
IPFE3713	924	324	18	–	–	–
IPFE3716	924	399	18	–	–	–
IPFE3721	924	524	18	IPRK3721	1000	600
IPFE3725	924	624	18	IPRK3725	1000	700
IPFE3729	924	724	18	IPRK3729	1000	800
IPFE4508	1124	199	18	–	–	–
IPFE4513	1124	324	18	–	1200	400
IPFE4516	1124	399	18	–	–	–
IPFE4521	1124	524	18	IPRK4521	1200	600
IPFE4529	1124	724	18	IPRK4529	1200	800



IPFE

Mounting Brackets

For ease of installation and fixing to the mounting surface. Mounting brackets ensure optimum installation and safety.

Part Number	Material	Quantity	To suit enclosure width (mm)
MEB/S	Stainless steel	4	all
IPWM	Zinc coated steel	4	all
IPWM/A	Aluminium	4	all
IPWM/S	Stainless steel	4	all



MEB/S

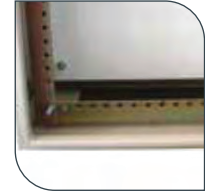
Monarch IP

Accessories to suit all Monarch IP enclosures

Universal Rail Kits

Used to install both fixed and hinged escutcheons and complete with 4 rails and fixings. A pair of height rails and a pair of width rails are provided in each kit.

Part Number	Rail lengths (mm)		To suit enclosures (mm)	
	Rail Height	Rail Width	Height	Width
IPRK1313	375	325	400	400
IPRK1321	375	525	400	600
IPRK1329	375	725	400	800
IPRK2113	575	325	600	400
IPRK2121	575	525	600	600
IPRK2129	575	725	600	800
IPRK2525	675	625	700	700
IPRK2921	775	525	800	600
IPRK2929	775	725	800	800
IPRK3721	975	525	1000	600
IPRK3725	975	625	1000	700
IPRK3729	975	725	1000	800
IPRK4521	1175	525	1200	600
IPRK4529	1175	725	1200	800
IPRK6121	1575	525	1600	600
IPRK6129	1575	725	1600	800
IPRK6921	1775	525	1800	600
IPRK6929	1775	725	1800	800
IPRK7721	1975	525	2000	600
IPRK7729	1975	725	2000	800



IPRK

Door Stays

Ensures door remains open even in windy weather ensuring the safety of people working on the installed equipment.

Part Number	Quantity	To suit enclosure width (mm)
IPDS	1	All (except IP09051/S & IP13091/S)



IPDS

Eye Bolts

Ensures enclosure is not damaged when lifted and can be moved safely. Compliant to AS4991: Lifting Devices.

Part Number	Quantity	Lift Rating	To suit enclosure width (mm)
LEB/12	2	125kg per bolt	all



LEB/12

Monarch IP

Accessories to suit all Monarch IP enclosures



Shelves

White powdercoated shelving comes complete with knockout for cabling and all fittings. Designed for use as segregation panels for switchboard applications mounting fixed equipment.

Part Number	Dimensions (mm)		To suit enclosures (mm)	
	Width	Depth	Width	Depth
IPSH211	563	105	600	175
IPSH212	563	160	600	270
IPSH214	563	280	600	400
IPSH215	563	380	600	500
IPSH216	563	480	600	600
IPSH254	663	280	700	400
IPSH292	763	160	800	270
IPSH294	763	280	800	400
IPSH295	763	380	800	500
IPSH296	763	480	800	600

**STATIC
UDL
200kg**



IPSH

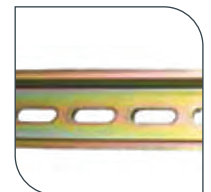


These shelves are NOT designed for load during transport.

DIN Rails

Used for mounting DIN switchgear and accessories into the enclosure. It is available for all models in aluminium, steel and slotted designs.

Part Number	Material	Description	Dimensions (mm)	
			Length	Depth
IPDN03	Aluminium	-	360	15
IPDN05			560	15
IPDN07			760	15
DIN35/15AL	Steel	-	3000	15
DIN35/7.5			2000	7.5
DIN35/7.5SL			2000	7.5
DIN35/7.5SL			2000	7.5
DIN35/7.5SL	Steel slotted	-	2000	7.5
DIN35/7.5SL	Steel slotted	-	2000	7.5
DIN35/7.5SL	-	Mounting kit, angle support brackets	-	-



DIN35/7.5SL

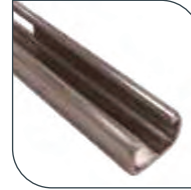
Monarch IP

Accessories to suit all Monarch IP enclosures

Standard Rails – C Section

Used to fit additional accessories and rails in the enclosure.

Part Number	Description	Height (mm)	To suit enclosure depth (mm)
IPCR		3400	–
IPCR01		137	–
IPCR02	C Rail	232	270
IPCR03		360	400
IPCR04		460	500
IPCR05		560	600
IPTO		Takeoff bracket (pack of 10)	–



IPCR



IPTO

Universal Rails

Designed for mounting equipment inside an enclosure. Either fixed lengths or can be cut to size requirements.

Part Number	Description	Length (mm)	To suit enclosure height (mm)
IPIV	25 pitch	1975	all
UV1	20 pitch	1984	all



IPIV

19" Mounting Rails

Designed for mounting equipment inside an enclosure. Either fixed lengths or can be cut to size requirements.

Part Number	Dimensions (mm)			To suit enclosures (mm)	
	Height	Width	Depth	Height	Width
UV19	1946	58.5	76	–	
IPRU11	536	–	–	600	
IPRU15	758	–	–	800	
IPRU24	1158	–	–	1200	600
IPRU32	1469	–	–	1600	
IPRU38	1736	–	–	1800	
IPRU42	1958	–	–	2000	
IPRU11/800	536	–	–	600	
IPRU15/800	758	–	–	800	
IPRU24/800	1158	–	–	1200	800
IPRU32/800	1469	–	–	1600	
IPRU38/800	1736	–	–	1800	
IPRU42/800	1958	–	–	2000	



IPRU

Laptop Lecterns

Designed to allow fast and easy access when using a laptop computer. The laptop lectern protrudes 45mm inside the door. Mounting requires door rails (purchased separately).

Part Number	Description	Dimensions (mm)		To suit door (mm)	
		Width	Depth	Height	Width
IPLL▲	Laptop lectern	440	300	600 & above	600 & above
IPRD6▲	Door rails (set of 2)	–	–	–	600
IPRD8▲		–	–	–	800



IPLL

▲ Available on request

Monarch IP

Accessories to suit all Monarch IP enclosures

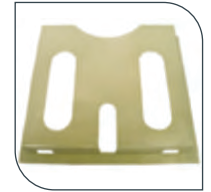


Document Holders

Designed to standard A4 documents such as procedures and diagrams to ensure that they are kept clean and conveniently located.

Part Number	Description	To suit enclosure width (mm)
IPPLN	A4 Plastic	all
IPPLN04/35▲	A4 Metal	400 & above
IPPLN04/80▲	A4 Metal – Folder	400 & above
IPPLN06/15▲	A3	600 & above
IPPLN06/35▲	A3 Metal	600 & above
IPPLN06/80▲	A3 Metal – Folder	600 & above

▲ Available on request.



IPPLN

Schedule Holders

Used to ensure maintenance schedules are always displayed prominently.

Part Number	Description	Mounting	Colour	Dimensions (mm)			To suit enclosure (mm)	
				Height	Width	Depth	Height	Width
IPLC150	150 line	Door rail	Pebble Grey RAL7032	255	210	–	400	300
IPLC40	40 line			230	110	–	300	200
LCH40	40 line	Tape or rivets	Light Grey RAL7035	230	110	8	300	200
LCH60	60 line			260	210	8	400	300
LCH78	78 line			380	110	8	500	200

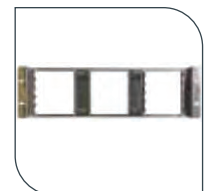


IPLC

Backmount Frame

Part Number	Description	Height (RU)
FCCD15/19*	15-Way, 19 inch	3

* 19 inch mounting rails required refer to page 88.



FCCD15/19

Load Centre

Part Number	Description	Height (RU)
FCLC19/19*	19-pole, 19 inch	5

* 19 inch mounting rails required refer to page 88.



FCLC19/19

Monarch IP

Accessories to suit all Monarch IP enclosures

General Accessories

A range of general accessories to suit all Monarch IP enclosures.

Part Number	Product	Description
IPNLK	Night latch kit bracket	To enable Lockwood deadbolt to be fitted
IPP06		M6
IPP10	Hole plug (pack of 20)	M10
IPP13		M13
IPBO612		M6 x 12mm
IPBO625		M6 x 25mm
IPBO812	Bolt – hex head (pack of 20)	M8 x 12mm
IPBO825		M8 x 25mm
IPBO830		M8 x 30mm
IPBO840/D	Accessory kit seal screw (pack of 10)	M8 x 40
IPN06		M6
IPN08	Hex head nuts (pack of 20)	M8
IPCG06		M6
IPCG08	Cage Nuts (pack of 20)	M8
IPCN06		M6
IPCN08	Foam back nuts (pack of 20)	M8
IPTO616	Screws – taptite (pack of 20)	M6 x 16mm
IPTPO616/S	Tamper proof screws with security bit	M6 x 16mm (pack of 10)
IPWF06		M6
IPWF08	Flat washers (pack of 20)	M8
IPWG06		Small
IPWG08	Seal washers (pack of 20)	Large
IPWS06		M6
IPWS08	Star washers (pack of 20)	M8
IPWSP06		M6
IPWSP08	Spring washers (pack of 20)	M8
IPOR06	Sealing ring (pack of 20)	M6
IPCDH	D handle	Chrome
ECESK	Earth strap kit	–
IPZRLG	Z Rail	760mm
TUP/P20		Pebble Grey RAL7032
TUP/P29	Touch Up Paint (300g)	Light Grey RAL7035

Locks

Locks to suit Monarch IP enclosures



Standard Locks



Enclosure	SH	SS	AI
≤1600mm	IP020 – chromed steel lock with 7mm square steel insert	IP020/S – black powdercoated lock with 7mm square stainless steel insert	IP020/PS – chromed steel lock with 7mm square steel insert
+1600mm	IP050 – lockable L handle keyed 92268	IP050 – lockable L handle keyed 92268	IP050 – lockable L handle keyed 92268

Lock Options for Monarch IP Enclosures

There are a number of lock options available that are suitable for use on Monarch IP enclosures. Contact your local sales representative to discuss your requirements.

Product	Description	Part Number	Standard Lock/Insert	Alternative insert	Keys		
					Lockable handles	Plastic, 3-way	Aluminium, 4-way
Turnbuckle	chromed steel	IP020	7mm square – steel	See below		SKU	SKZ
	powdercoated	IP020/PS	7mm square – stainless steel	See below		SKU	SKZ
	stainless steel	IP020/S	7mm square – stainless steel	See below		SKU	SKZ
		IP028S/S	8mm square slotted – stainless steel	See below			
Wing knob	lockable	IP030	Key code 92268			SK3	
	lockable	IP030/CL001	Key code CL001				
	lockable	IP030/L003	Key code L003				
	non-lockable	IP111	–				
T-handle	lockable	IP040	Key code 92268			SK3	
L-handle	lockable	IP050	Key code 92268			SK3	
	lockable – stainless steel	IP050/S	Key code 92268			SK3	
	padlockable – steel	IP052	–				
	padlockable – stainless steel	IP052/S	–				
Swing handle	padlockable – steel	IP060	Suitable for up to 9mm diameter padlock shackle.				
	padlockable – stainless steel	IP060/S					



Lock Inserts for IP020 Locks

The IP020 locks are available with an option lock insert for use on all Monarch IP enclosures. Contact your local sales engineer to discuss your requirements.

To suit lock style	Description	To suit lock	Standard Insert	3mm double bit pin		8mm square		8mm square slotted		8mm triangle	
				Steel	Stainless Steel	Steel	Stainless Steel	Stainless Steel	Steel	Stainless Steel	
Turnbuckle	chromed steel	IP020	7mm square – steel	LKINS3P		LKINS8S		LKINS8SS/S		LKINS8T	
	powdercoated with SS insert	IP020/PS	7mm square – stainless steel		LKINS3P/S		LKINS8S/S		LKINS8SS/S		LKINS8T/S
	stainless steel	IP020/S	7mm square – stainless steel		LKINS3P/S		LKINS8S/S		LKINS8SS/S		LKINS8T/S
Key required – aluminium			SKZ	SKZ	SKZ	SK8	SK8	SK8	SK8	SKZ	SKZ
Key required – plastic			SKU	SKU	SKU					SKU	SKU

Enclosure LED Lighting

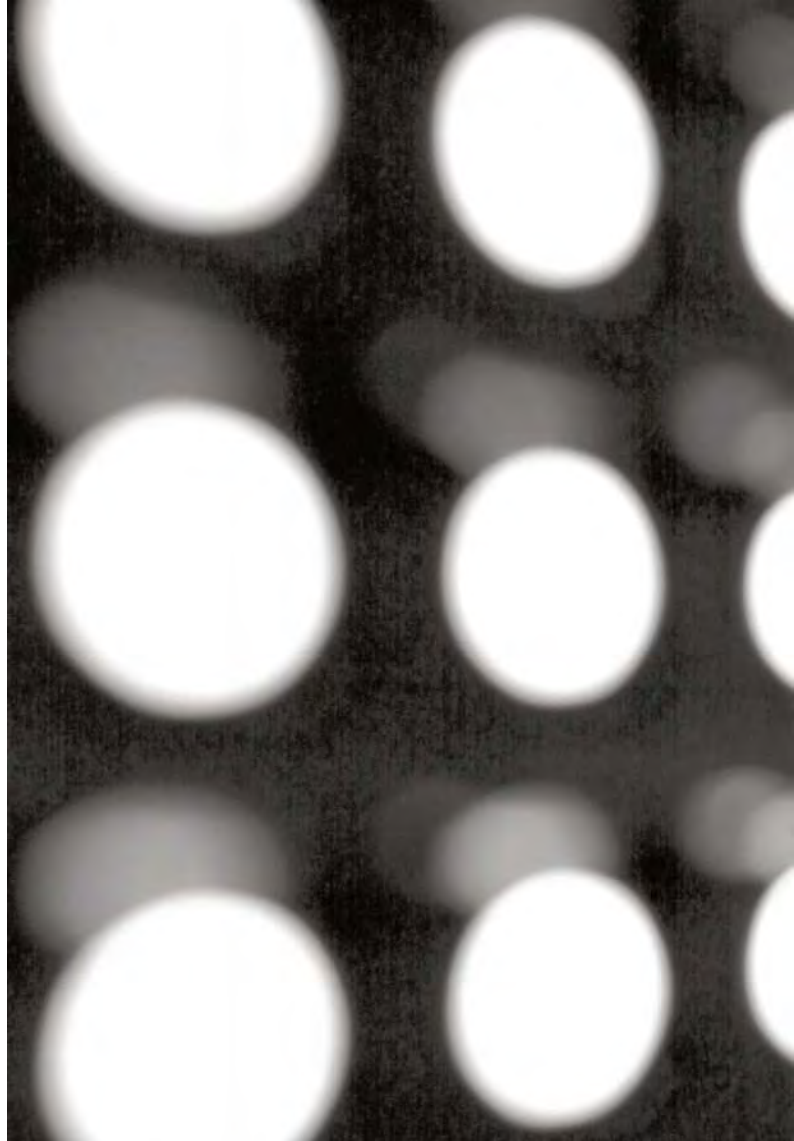
Our LED lighting solutions provide light inside an enclosure when visibility is required for both safety and efficiency.



High output, small form factor LED lighting. Up to 4 units can be daisy chained from the one power supply. Allows for the opening of full height swing frames or hinged escutcheons when fitted to the roof. The optional PIR movement sensor can be used for power efficiency as an automatic door switch. All light kits can be mounted directly onto 19" rack rails. In the absence of 19" rack rails a mounting kit is available to suit the enclosure size.

B&R's LED lighting solutions are applied to provide excess light within an enclosure and becomes a continuous light source to provide extra visibility.

- Energy saving up to 50% compared with traditional fluorescents under the same lux.
- Life span – over 50,000 hours
- Available in cool white, neutral white and warm white colour temperatures.
- Available in 12V and 24V options.
- Easy linking up to 36 watts per run.
- Easy to install.
- Low voltage — safe and efficient.
- Manufactured from aluminium with black plastic end caps and acrylic lens.
- Light source – SM3528 LED
- Operating temperature --20°C to 40°C indoors



This information is provided as a guide only. Contact your local sales representative to discuss your requirements.

Technical Operating Data

Length (mm)	Voltage (DC)	Power (W)	Radiance	ColourTemp	Luminous Flux (lm)*	LED Current (A)
300	12/24	3	90°	4400	280/360	0.18
500	12/24	5	90°	4400	460/600	0.18

Universal Double Door

Part Number	Power (V)	LED Light	Power Supply	Inclusions			Required Mounting Bracket		To suit enclosure	
				Splitter	Switch	Connectors	DDLKB10	DDLKB12	Width (mm)	Optional
BRLED500	12	•	•	•	•	•	•	•	1000	BRMOT
BRLED500/24	24	•	•	•	•	•	•	•	1200	PIR Motion Sensor



Bowen Series

Part Number	Power (V)	Inclusions					Required Mounting Bracket			To suit enclosure	
		LED Light	Power Supply	Splitter	Switch	Connectors	BWLKB04	BWLKB06	BWLKB08	Width (mm)	Optional
BRLED300	12	•	•		•		•			400	BRMOT PIRMotion Sensor
BRLED300/24	24	•	•		•		•			400	
BRLED500	12	•	•		•			•	•	600 or 800	
BRLED500/24	24	•	•		•			•	•	600 or 800	
BRLEDK03	–	•		•		•				400	
BRLEDK05	–	•		•			•	•		600 or 800mm	

Pilbara SP

Part Number	Power (V)	Inclusions					Required Mounting Bracket			To suit enclosure	
		LED Light	Power Supply	Splitter	Switch	Connectors	IPLKB04	SPLKB05	IPLKB08	Width (mm)	Optional
BRLED300	12	•	•		•		•			400	BRMOT PIRMotion Sensor
BRLED300/24	24	•	•		•		•			400	
BRLED500	12	•	•		•			•	•	500 or 800	
BRLED500/24	24	•	•		•			•	•	500 or 800	
BRLEDK03	–	•		•		•				400	
BRLEDK05	–	•		•			•	•		800	

Monarch IP

Part Number	Power (V)	Inclusions					Required Mounting Bracket			To suit enclosure	
		LED Light	Power Supply	Splitter	Switch	Connectors	IPLKB04	IPLKB06	IPLKB08	Width (mm)	Optional
BRLED300	12	•	•		•		•			400	BRMOT PIRMotion Sensor
BRLED300/24	24	•	•		•		•			400	
BRLED500	12	•	•		•			•	•	600 or 800	
BRLED500/24	24	•	•		•			•	•	600 or 800	
BRLEDK03	–	•		•		•				400	
BRLEDK05	–	•		•			•	•		600 or 800mm	

Project Profile

Oyu Tolgoi Mine Gobi Desert, Mongolia

The Oyu Tolgoi mine is a combined open pit and underground mining project in Mongolia's South Gobi Desert approximately 550km south of the capital, Ulaanbaatar and 80km north of the Mongolia-China border. It primarily produces copper but also small amounts of gold, silver and other metals.

Oyu Tolgoi mine is jointly owned by the Government of Mongolia (34%) and Turquoise Hill Resources (66%). Rio Tinto own 51% of Turquoise Hill Resources and have been managing the mine since 2010. Oyu Tolgoi mine has been producing concentrate using ore mined from the surface through open pit mining. However, due to 80% of the copper being found deep under the surface during exploration drilling, the mine has now expanded to include underground mining.

Jacobs Engineering is responsible for providing engineering, procurement and construction management (EPCM) services to implement the material handling systems for the new underground mine and associated infrastructure, delivered over a five to seven-year period. Jacobs Engineering approached ABB regarding the supply of PLC panels, local control stations and custom power distribution boards, each of which needed to be suitable for use outside, in the underground mine and in buildings located on the mine site. Based on recommendations by Rio Tinto and a previous working relationship with ABB, B&R Enclosures was approached by ABB to manufacture and wire these products.

PLC Panels & Local Control Stations

All wiring and electrical integration for the PLC panels and local control stations is carried out at the B&R facility located in Suzhou, China. The Suzhou facility utilises methods, knowledge and experience from the Australian founding company to provide full-service solutions including standard off-the-shelf products, customised and assembled-to-order solutions, fully engineered enclosures, project management, electrical wiring and supply chain management.

The design for the PLC panels and local control stations to be used outside and underground were a combination between B&R's Bowen Series and Monarch IP enclosures. The 30 degree sloping roof is designed to prevent water and sediment build-up. The sloping roof was then combined with the Monarch IP enclosure. Manufactured from 316 stainless steel with an IP66 protection.

“ B&R designed and manufactured a solution that met the project requirements. ”



The PLC panels which are being used inside buildings on the mine site, is a modified iLINQ bayable cabinet. Manufactured from 1.5mm galvanised steel (frame), 1.6mm zinc coated steel (cladding) and an IP54 protection rating make it suitable for an environment where there is a low level threat of water or dust ingress. Top entry was a specified requirement and a custom gland plate was fitted to the roof.

The local control stations to be used inside buildings located on the mine site have been manufactured using a combination of B&R's standard Monarch IP and Universal NI range. Manufactured from 316 stainless steel with IP66 protection rating.

Power Distribution Boards

Jacobs Engineering supplied initial drawings of the power distribution boards to ABB as they had specific requirements of what the power distribution boards and their enclosures should be, how they should function and where they would be used. As with the PLC panels and local control stations, the power distribution boards were also to be used outside, underground within the mine and inside buildings located on the mine site.

B&R Enclosures worked with ABB to assist them with the final design based on the drawings by Jacobs Engineering. Specifications for the two types of custom power distribution boards included strict size dimensions on the overall product and an IP56 protection rating. A dedicated terminal for field connections was also required while still having the testing facilities at the board along with the ability to withstand the harsh mining environment.



The two types of custom power distribution boards are manufactured and completely wired with electrical equipment supplied by ABB at B&R's facility in Brisbane, Australia.

A modified design of B&R's Bowen enclosure was used for the outside and underground applications as it is manufactured from 316 stainless steel, has an IP66 protection and comes with a 30 degree sloping roof designed to prevent water or sediment build-up.

The power distribution boards used within buildings on the mine site are based on Monarch IP which is manufactured from 316 stainless steel and also has an IP66 protection.

B&R's design and engineering team were successful in manufacturing and testing a power distribution board that allowed internal connections for testing facilities as well as a dedicated terminal for field connections all within the compact size dimensions Jacobs Engineering specified.

The project is on-going and is expected to be completed by 2020. During this time B&R will continue to strengthen their working relationship with ABB, Jacobs Engineering and RioTinto and look forward to providing future projects with 100% fit-for-purpose complete enclosure solutions.



For more information
brenclosures.com.au/project/oyu-tolgoi-mine/

Field FC

Industrial Field Enclosures



- Suitable for housing ITS equipment, GPS receivers / transmitters, road monitoring / traffic management in infrastructure applications.
- Designed to protect electronic equipment in outdoor and isolated locations.
- Has been specifically designed to minimise vandalism.
- Flush front and rear doors with concealed hinges.
- Sunshield roof to minimise the effects of solar radiation.
- Conformity, Approvals:
 - Lloyds Register #06/10007 (E2)
- Manufactured from 2mm thick zinc coated steel, 1.5mm thick 316 stainless steel or 2mm thick aluminium.
- Powdercoated Smoke Blue T33 or N4 surface finish.

Comes standard with:

- Enclosure frame
- Front and rear door
- Sunshield roof
- 3mm aluminium gland plates
- 100mm high plinth – stainless steel
- Eye bolts
- Vertical mounting posts



ORDERING GUIDE

Part Number			Dimensions (mm)						
			External			Front Opening		Side Opening	
Zinc coated steel	316 stainless steel	Aluminium	Height (A)	Width (B)	Depth (C)	Height (D)	Width (E)	Height (F)	Width (G)
FC130706 [▲]	FC130706/S [▲]	FC130706/A [▲]	1375	755	620	1085	640	1095	440
FC160706 [▲]	FC160706/S [▲]	FC160706/A [▲]	1675	755	620	1385	640	1395	440
FC190706 [▲]	FC190706/S [▲]	FC190706/A [▲]	1975	755	620	1685	640	1695	440
FC220706 [▲]	FC220706/S [▲]	FC220706/A [▲]	2275	755	620	1985	640	1995	440

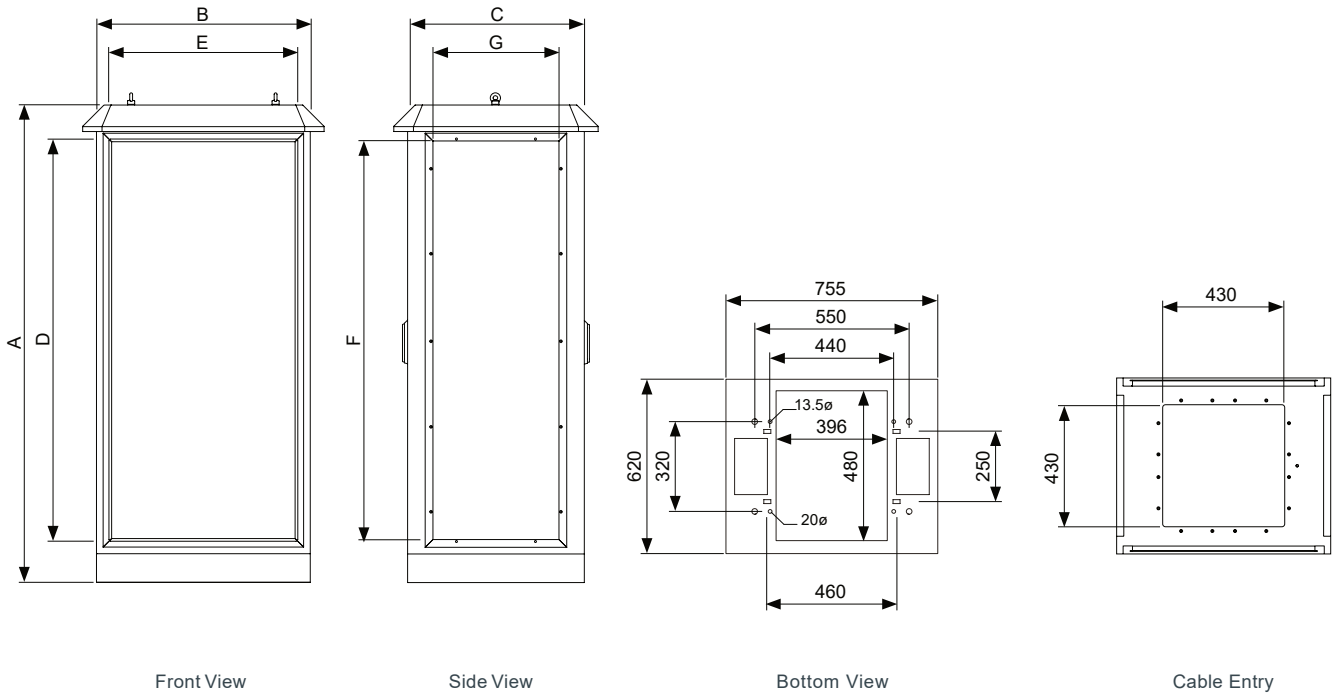
[▲] Available on Request

ACCESSORIES QUICK SELECTION GUIDE

Accessories	Page No.
Cladding	98
Ventilated shelves	98
Baying Kit	99
Rails & Brackets	99
General Accessories	99



TECHNICAL DRAWINGS



1 **Select your enclosure size from the ordering guide.**
The ordering guide is categorised by depth (with subsequent widths and depths shown in the dimension table). The table is incremented from smallest to largest height.

2 **Select your cladding size.**
Select from the table (the relevant part numbers are listed for each size enclosure). Please note that side cladding is required to achieve IP66.

3 **Select other additional components.**
Choose from the range listed in the selected enclosure column in the ordering guides.

4 **If additional information is required see catalogue pages or contact your local B&R sales representative to discuss your requirements.**

Field FC

Accessories to suit Field Enclosures

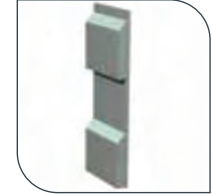
Side Cladding

Vented side panels (metalware only). Fan and filters (see page 114 for full range) are required and can be purchased separately.

Part Number*	Description	Material	To suit enclosure (mm)		
			Height	Width	
FCCP1306 [▲]	Flush with no ventilation	Zinc coated steel	1375	620	
FCCP1606 [▲]			1675	620	
FCCP1906 [▲]			1975	620	
FCCP2206 [▲]			2275	620	
FCCP1306/S [▲]		316 stainless steel	1375	620	
FCCP1606/S [▲]			1675	620	
FCCP1906/S [▲]			1975	620	
FCCP2206/S [▲]			2275	620	
FCCP1306/A [▲]		Aluminium	1375	620	
FCCP1606/A [▲]			1675	620	
FCCP1906/A [▲]			1975	620	
FCCP2206/A [▲]			2275	620	
FCCP1306V [▲]		Vented with vent hood	Zinc coated steel	1375	620
FCCP1606V [▲]				1675	620
FCCP1906V [▲]				1975	620
FCCP2206V [▲]				2275	620
FCCP1306V/S [▲]	316 stainless steel		1375	620	
FCCP1606V/S [▲]			1675	620	
FCCP1906V/S [▲]			1975	620	
FCCP2206V/S [▲]			2275	620	
FCCP1306V/A [▲]	Aluminium		1375	620	
FCCP1606V/A [▲]			1675	620	
FCCP1906V/A [▲]			1975	620	
FCCP2206V/A [▲]			2275	620	



Flush with no ventilation



Vented with vent hoods

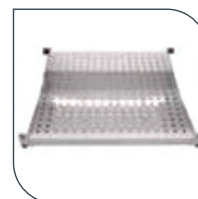
* Includes one side only

[▲]Available on request

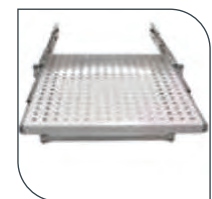
Ventilated Shelves

Designed for mounting fixed equipment. Available in various options to suit requirements. Rack rails are required for the standard, heavy-duty and telescopic shelves (purchased separately).

Product	Part Number	Description	RU	Dimensions (mm)	
				Height	Width
Standard	FCSF06/19*	19 inch, rated to 50kg	1	440	480
	FCSF06/21* [▲]	21 inch, rated to 50kg	1	490	480
Heavy duty	FCSH06/19*	19 inch, rated to 100kg	1	440	480
	FCSH06/21* [▲]	21 inch, rated to 100kg	1	490	480
Telescopic	FCST06/19*	19 inch, rated to 20kg	1	440	480
	FCST06/21* [▲]	21 inch, rated to 20kg	1	490	480
Battery tray	FCBT [▲]	–	1	410	480



FCSF-Standard shelf



FCST- Telescopic shelf

* Rackrail required

[▲]Available on request

Field FC

Accessories to suit Field Enclosures



Baying Kits

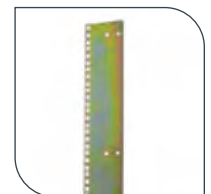
Are a method of joining 19" cabinets together. Side cladding must be removed before baying cabinets together.

Part Number	Material	To suit enclosures	
		Height (mm)	Width (mm)
FCBK1306*	Zinc coated steel	1375	620
FCBK1606*		1675	620
FCBK1906*		1975	620
FCBK2206*		2275	620
FCBK1306/S*	316 stainless steel	1375	620
FCBK1606/S*		1675	620
FCBK1906/S*		1975	620
FCBK2206/S*		2275	620

*Available on request

Rails and Brackets

Product	Part Number	Description	Height (mm)	To suit enclosure height (mm)
19" & 21" rail (set of 4)	FCRU24	24RU	1081	1375
	FCRU31	31RU	1381	1675
	FCRU37	37RU	1681	1975
	FCRU44	44RU	1981	2275



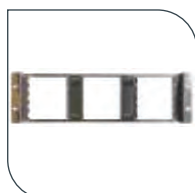
FCRU- 19" / 21" rail

General Accessories

Product	Part Number	Description	RU
15-way backmount frame	FCCD15/19	19 inch	3
19-pole load centre	FCLC19/19	19 inch	5
Light kit	FCLK	8W fluro complete with switch	1
Door limit switch (alarm)	FCDS	10A, 250V AC	1
Additional switch	FCSW* ^	10A, 250V AC	-
Thermostat	FCTHERM	10°C to +60°C	-
Gland Plate	FCGA0706*	3mm aluminium	-
Plan holder	FCPLN07*	A3	-

* Light kit or door limit switch required

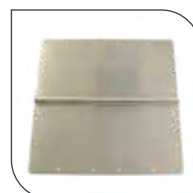
^Available on request



FCCD- Backmount frame



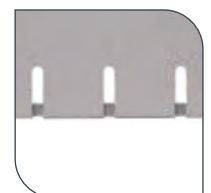
FCTHERM- Thermostat



FCGA0706- 3mm aluminium gland plate



FCLK- Light kit complete with switch



FCPLN07- A3 Plan holder

iLINQ Stand-Alone

Pre-Assembled Bayable Enclosures



AS4991
Compliant



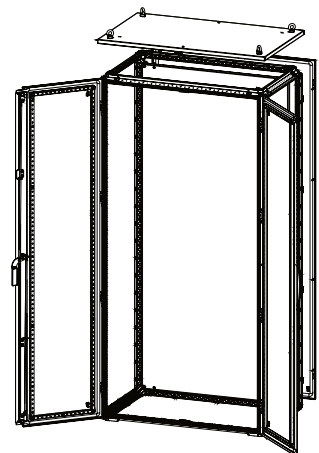
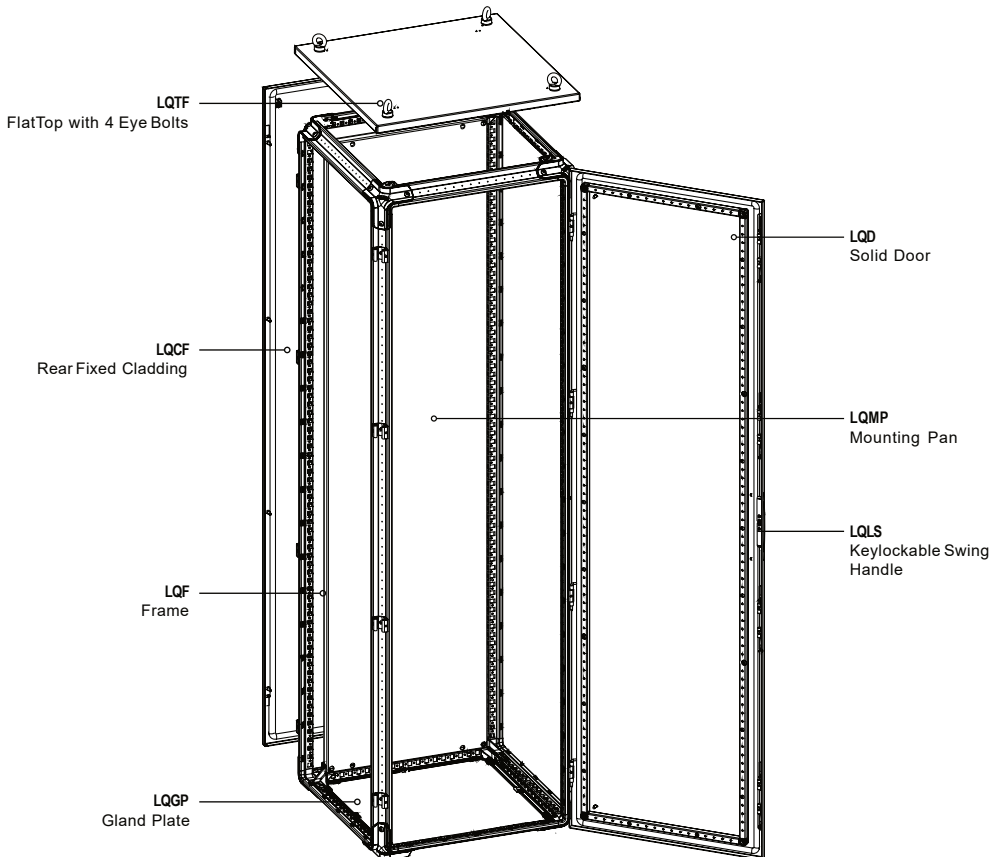
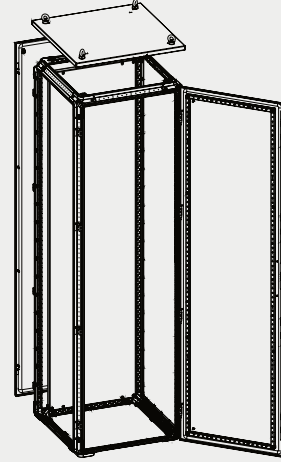
LIFT
1.5t

PAN
500kg

- Suitable for industrial automation, industrial control, plant construction, data and networking infrastructure and telecommunications applications.
- Comes pre-assembled and can be quickly and easily bayed together.
- Conformity, Approvals:
Lloyds Register #06/10007 (E2)
- Manufactured from:
Frame – 1.5mm galvanised steel
Panels – 1.6mm zinc coated steel
- Powdercoated Light Grey RAL7035.

Comes standard with:

- Frame
- Rearcladding (screw fixed)
- Flat top with four eye bolts
- Solid door
- Keylockable swing handle (92268)
- Mounting pan – 3mm galvanised steel
- Fixed gland plate – 1.6mm galvanised steel



iLINQ Stand-Alone

Pre-Assembled Bayable Enclosures



AVAILABLE SIZES

400MM DEEP

Width (mm)	Single Door					Double Door				
	1400mm high	1600mm high	1800mm high	2000mm high	2200mm high	1400mm high	1600mm high	1800mm high	2000mm high	2200mm high
400	✓	✓	✓	✓	✓					
500	✓	✓	✓	✓	✓					
600	✓	✓	✓	✓	✓	✓	✓	✓	✓	✓
800	✓	✓	✓	✓	✓	✓	✓	✓	✓	✓
1000						✓	✓	✓	✓	✓
1200						✓	✓	✓	✓	✓

500MM DEEP

Width (mm)	Single Door					Double Door				
	1400mm high	1600mm high	1800mm high	2000mm high	2200mm high	1400mm high	1600mm high	1800mm high	2000mm high	2200mm high
400	✓	✓	✓	✓	✓					
500	✓	✓	✓	✓	✓					
600	✓	✓	✓	✓	✓	✓	✓	✓	✓	✓
800	✓	✓	✓	✓	✓	✓	✓	✓	✓	✓
1000						✓	✓	✓	✓	✓
1200						✓	✓	✓	✓	✓

600MM DEEP

Width (mm)	Single Door					Double Door				
	1400mm high	1600mm high	1800mm high	2000mm high	2200mm high	1400mm high	1600mm high	1800mm high	2000mm high	2200mm high
400	✓	✓	✓	✓	✓					
500	✓	✓	✓	✓	✓					
600	✓	✓	✓	✓	✓	✓	✓	✓	✓	✓
800	✓	✓	✓	✓	✓	✓	✓	✓	✓	✓
1000						✓	✓	✓	✓	✓
1200						✓	✓	✓	✓	✓

800MM DEEP

Width (mm)	Single Door					Double Door				
	1400mm high	1600mm high	1800mm high	2000mm high	2200mm high	1400mm high	1600mm high	1800mm high	2000mm high	2200mm high
400	✓	✓	✓	✓	✓					
500	✓	✓	✓	✓	✓					
600	✓	✓	✓	✓	✓	✓	✓	✓	✓	✓
800	✓	✓	✓	✓	✓	✓	✓	✓	✓	✓
1000						✓	✓	✓	✓	✓
1200						✓	✓	✓	✓	✓

iLINQ Assembled-to-Order

Bayable Enclosures



AS4991
Compliant



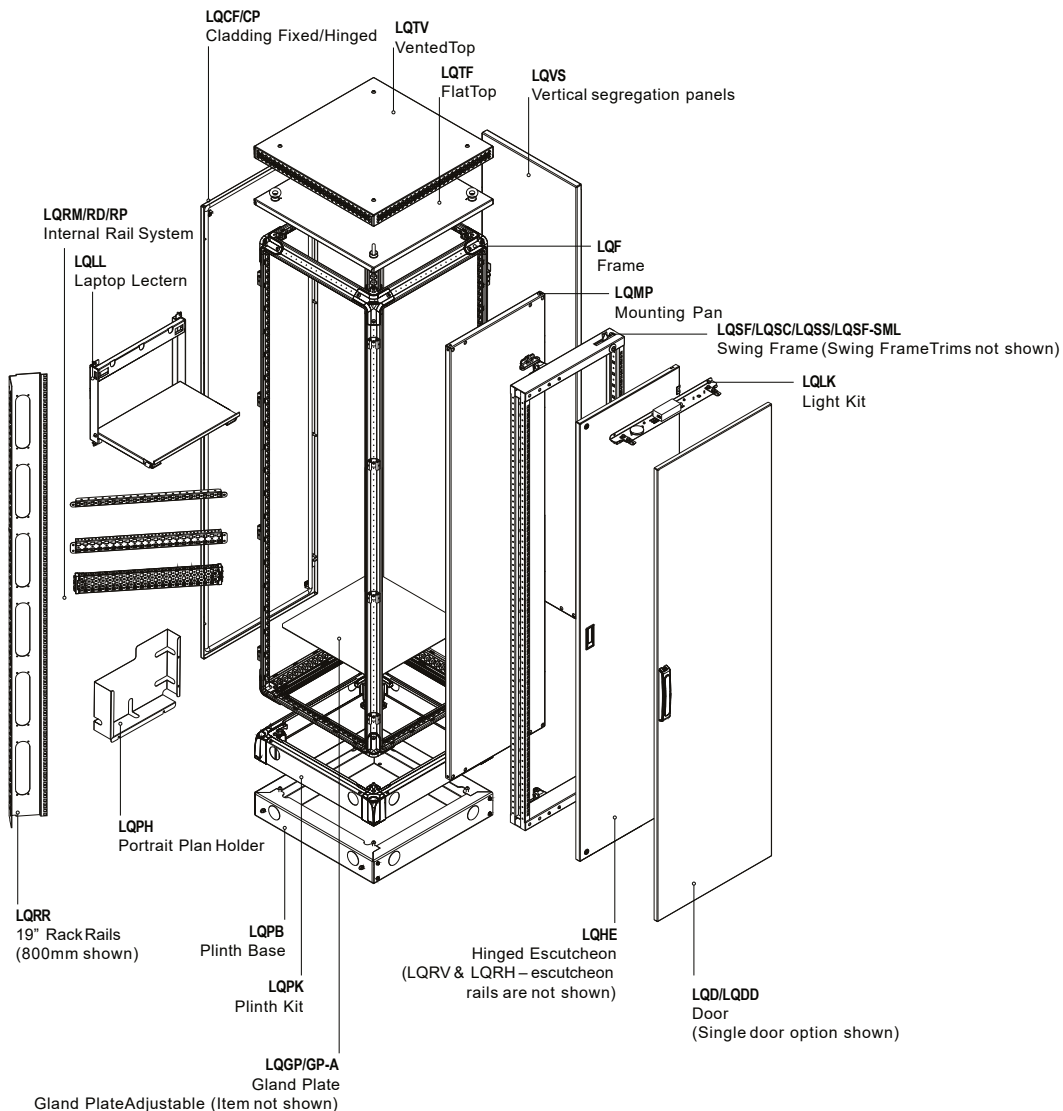
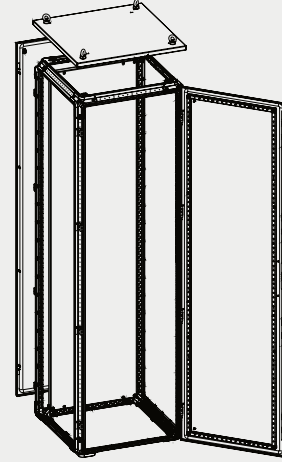
LIFT
1.5t

PAN
500kg

- Suitable for industrial automation, industrial control, plant construction, data and networking infrastructure and telecommunications applications.
- Comes pre-assembled and can be quickly and easily bayed together.
- Conformity, Approvals:
Lloyds Register #06/10007 (E2)
- Manufactured from:
Frame – 1.5mm galvanised steel
Panels – 1.6mm zinc coated steel
- Powdercoated Light Grey RAL7035.

Comes standard with:

- Frame
- Rearcladding (screw fixed)
- Flat top with four eye bolts
- Solid door
- Keylockable swing handle (92268)
- Mounting pan – 3mm galvanised steel
- Fixed gland plate – 1.6mm galvanised steel

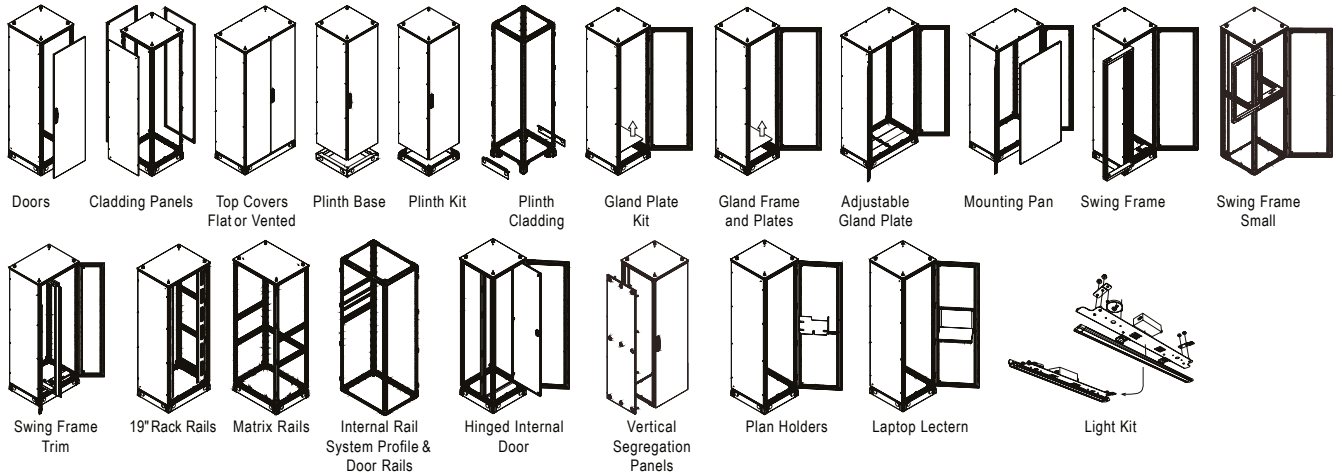


iLINQ Assembled-to-Order

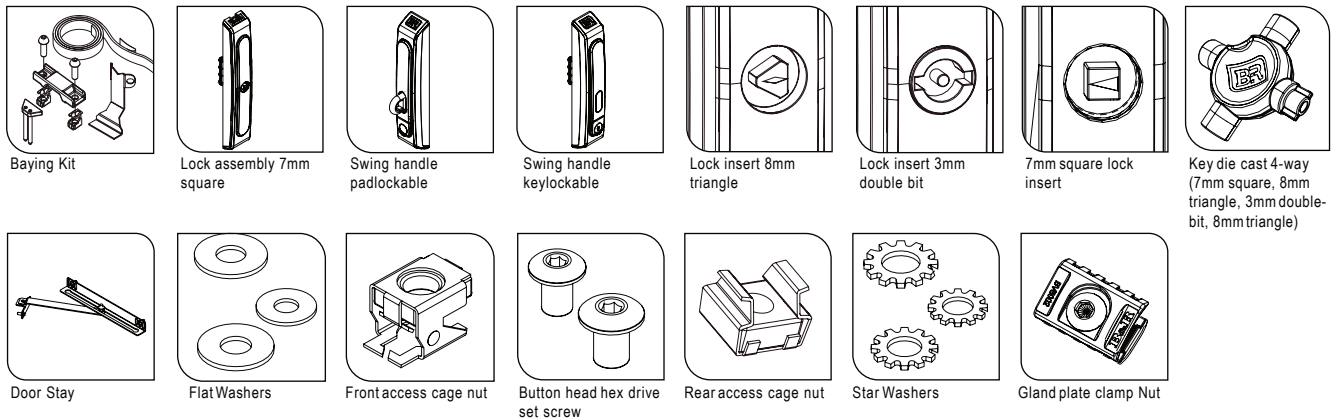
Bayable Enclosures



ASSEMBLED-TO-ORDER COMPONENTS



GENERAL ACCESSORIES



EMO Series

Outdoor Wall Mount Air Conditioners



- Designed for outdoor applications.
- Suitable for use where the internal temperature of the cabinet is required to be lower than the ambient temperature.
- Surface mounted.
- Ozone friendly R134a or R407C.
- External ambient temperature range extends from -20°C to 55°C.
- Other supply options area available on special request.
- Manufactured from mild steel (stainless steel available on request).
- Powdercoated Pebble Grey RAL7032 (other colours available on request).

Comes standard with:

- Electromechanical thermostat factory set to 35°C
- All mounting hardware
- Template



ORDERING GUIDE

Part Number	Supply (V)	Cooling Capacity (W)*	External Dimensions (mm)			Running Current (A)	Inrush Current (A)	Refrigerant F134a	Noise Level**	Weight (kg)
			Height	Width	Depth					
TX-EMO04BM1A	230	380/240	571	300	205	1.6	6.0	0.16	60	17.0
TX-EMO06BM1A	230	640/470	718	331	235	2.1	8.1	0.26	65	21.0
TX-EMO08BM1A [▲]	230	820/680	895	363	239	2.6	10.8	0.28	65	27.0
TX-EMO10BM1A [▲]	230	1000/790	895	363	239	3.0	10.5	0.27	65	28.0
TX-EMO12BM1A [▲]	230	1250/910	1109	415	261	3.8	11.0	0.38	65	38.0
TX-EMO16BM1A [▲]	230	1600/1230	1109	415	261	5.3	18.0	0.46	65	40.0
TX-EMO20BM1A	230	2000/1510	1109	415	261	6.5	24.0	0.58	65	52.0
TX-EMO30BM1A	230	2900/2250	1417	512	365	8.2	37.4	0.84	70	80.0
TX-EMO40BM1A	230	3850/2870	1417	512	365	9.5	35.2	1.14	70	82.0
TX-EMO20LM1A [▲]	400	2000/1510	1109	415	261	6.5	24.0	0.58	65	52.0
TX-EMO30LM1A	400	2900/2250	1417	512	365	8.2	37.4	0.84	70	80.0
TX-EMO40LM1A	400	3850/2870	1417	512	365	9.5	35.2	1.14	70	82.0
TX-EMO60MMEA [▲]	400	5800/4350	2000	600	387	5.9	21.7	1.80	72	150.0
TX-EMO80MMEA [▲]	400	7600/5700	2000	800	387	8.1	30.7	2.80	75	160.0
TX-EMOA0MMEA [▲]	400	9400/7000	2000	800	387	9.1	30.7	2.30	77	180.0

[▲]Available on request.

* Wattage cooling capacity while maintaining the internal temperature at 35°C according to EN14511. xxx/--- is the wattage removed while the external ambient is 35°C (A35A35). ---/yyy is the wattage removed while the external ambient is 50°C (A35A50).

** Noise level is determined at 1m from air conditioner.



Other voltage supply versions are available on request. Contact your local B&R sales representative for more information.



For more information
[« brenclosures.com.au/air_conditioner_outdoor.htm](http://www.brenclosures.com.au/air_conditioner_outdoor.htm)

EMO Series

Outdoor Wall Mount Air Conditioners



ACCESSORIES

Description	Part Number	Pack Qty	TX-EMO04BM1A	TX-EMO06BM1A	TX-EMO08BM1A	TX-EMO10BM1A	TX-EMO12BM1A	TX-EMO16BM1A	TX-EMO20BM1A	TX-EMO30BM1A	TX-EMO40BM1A	TX-EMO20LM1A	TX-EMO30LM1A	TX-EMO40LM1A	TX-EMO60MMEA	TX-EMO80MMEA	TX-EMO100MMEA
Metal filters	TX-AAEFM04	1	•														
	TX-AAEFM06	1		•													
	TX-AAEFM10	1			•	•											
	TX-C15000164	1					•	•	•			•					
	TX-C15000185	1								•	•		•	•			
	TX-C15000176	1													•		
	TX-C15000189	1														•	•
Cloth filters	TX-AAEFP04	5	•														
	TX-AAEFP06	5		•													
	TX-AAEFP10	5			•	•											
	TX-C15000163	5					•	•	•			•					
	TX-C15000183	5								•	•		•	•			
	TX-C15000175	5													•		
	TX-C15000188	5														•	•

EGO Series

Indoor Wall Mount Air Conditioners



- Designed for indoor applications.
- Suitable for use where the internal temperature of the cabinet is required to be lower than the ambient temperature.
- Surface mount.
- Ozone friendly R134a or R407C.
- Internal temperature is adjustable from 20°C to 46°C (factory set at 35°C).
- External ambient temperature range extends from -20°C to 55°C.
- Other power supply options area available on special request.
- Manufactured from mild steel (stainless steel available on request).
- Powdercoated Pebble Grey RAL7032 (other colours available on request).

Comes standard with:

- All mounting hardware
- Template
- Electronic controller (TX-C16000259)



ORDERING GUIDE

Part Number	Supply (V)	Cooling Capacity (W)*	External Dimensions (mm)			Running Current (A)	Inrush Current (A)	Refrigerant F134a	Noise Level**	Weight (kg)
			Height	Width	Depth					
TX-EGO04BM1A	230	380/240	460	285	180	1.6	6.0	0.16	60	17.0
TX-EGO06BM1A	230	640/470	606	316	212	2.1	8.1	0.26	65	21.0
TX-EGO08BM1A	230	820/680	783	348	215	2.6	10.8	0.28	65	27.0
TX-EGO10BM1A	230	1000/790	783	348	215	3.0	10.5	0.27	65	28.0
TX-EGO12BM1A [▲]	230	1250/910	999	405	237	3.8	11.0	0.38	65	38.0
TX-EGO16BM1A	230	1600/1230	999	405	237	5.3	18.0	0.46	65	40.0
TX-EGO20BM1A	230	2000/1510	999	405	237	6.5	24.0	0.58	65	52.0
TX-EGO30BM1A [▲]	230	2900/2250	1270	500	336	8.2	37.4	0.84	70	80.0
TX-EGO40BM1A [▲]	230	3850/2870	1270	500	336	9.5	35.2	1.14	70	82.0
TX-EGO20LM1A [▲]	400	2000/1510	999	405	237	6.5	24.0	0.58	65	52.0
TX-EGO30LM1A [▲]	400	2900/2250	1270	500	336	8.2	37.4	0.84	70	80.0
TX-EGO40LM1A [▲]	400	3850/2870	1270	500	336	9.5	35.2	1.14	70	82.0
TX-EGO60MTEA [▲]	400	5800/4350	2000	600	387	5.9	21.7	1.80	72	150.0
TX-EGO80MTEA [▲]	400	7600/5700	2000	800	387	8.1	30.7	2.80	75	160.0
TX-EGO A0MTEA [▲]	400	9400/7000	2000	800	387	1.6	6.0	2.30	77	180.0
TX-EGO A5MTEA [▲]	400	14800/11300	2087	800	550	13.9	63.0	3.65	67	240.0

[▲] Available on request.

* Wattage cooling capacity while maintaining the internal temperature at 35°C according to EN14511. xxx/--- is the wattage removed while the external ambient is 35°C (A35A35). ---/yyy is the wattage removed while the external ambient is 50°C (A35A50).

** Noise level is determined at 1m from air conditioner in dB(A)



Other voltage supply versions are available on request. Contact your local B&R sales representative for more information.



For more information
brenclosures.com.au/air_conditioner_wall.htm

EGO Series

Indoor Wall Mount Air Conditioners



ACCESSORIES

Description	Part Number	Pack Qty	TX-EGO04BM1A	TX-EGO06BM1A	TX-EGO08BM1A	TX-EGO10BM1A	TX-EGO12BM1A	TX-EGO16BM1A	TX-EGO20BM1A	TX-EGO30BM1A	TX-EGO40BM1A	TX-EGO20LM1A	TX-EGO30LM1A	TX-EGO40LM1A	TX-EGO60MTEA	TX-EGO80MTEA	TX-EGO100MTEA	TX-EGO150MTEA
Metal filters	TX-AAEFM04	1	•															
	TX-AAEFM06	1		•														
	TX-AAEFM10	1			•	•												
	TX-C15000164	1					•	•	•			•						
	TX-C15000185	1								•	•		•	•				
	TX-C15000176	1													•			
	TX-C15000189	1														•	•	
	TX-C15002497	1																•
Cloth filters	TX-AAEFP04	5	•															
	TX-AAEFP06	5		•														
	TX-AAEFP10	5			•	•												
	TX-C15000163	5					•	•	•			•						
	TX-C15000183	5								•	•		•	•				
	TX-C15000175	5													•			
	TX-C15000188	5														•	•	
	TX-C15002900	5																•

DEK Series

Indoor Roof Mount Air Conditioners



- Designed for indoor applications.
- Suitable for use where the internal temperature of the cabinet is required to be lower than the ambient temperature.
- Ozone friendly R134a or R407C.
- Manufactured from mild steel
- Powdercoated Pebble Grey RAL7032 (other colours available on request).

Comes standard with:

- All mounting hardware
- Electronic controller (TX-C16000259)



ORDERING GUIDE

Part Number	Supply (V)	Cooling Capacity (W)*	External Dimensions (mm)			Running Current (A)	Inrush Current (A)	Refrigerant F134a	Noise Level**	Weight (kg)
			Height	Width	Depth					
TX-DEK04BT0A	230	410/240	260	481	259	1.5	4	0.17	60	18.0
TX-DEK08BT0A	230	820/680	339	600	341	2.9	12	0.31	62	23.0
TX-DEK12BT0A	230	1150/900	415	572	401	3.2	11	0.63	65	40.0
TX-DEK15BT0A	230	1550/1200	415	572	401	4.5	18	0.54	65	44.0
TX-DEK20BT0A [▲]	230	2050/1560	415	572	401	6.0	24	0.55	65	50.0
TX-DEK30BT0A [▲]	230	2900/2250	496	784	492	8.2	38	1.26	75	80.0
TX-DEK40BT0A [▲]	230	3850/2870	496	784	492	9.0	38	1.80	75	83.0
TX-DEK20LT0A [▲]	400	2050/1560	415	572	401	1.9	10	0.55	65	50.0
TX-DEK30LT0A [▲]	400	2900/2250	496	784	492	2.5	16	1.26	75	80.0
TX-DEK40LT0A [▲]	400	3850/2870	496	784	492	3.4	17	1.80	75	83.0

[▲]Available on request.

* Wattage cooling capacity while maintaining the internal temperature at 35°C according to EN14511. xxx/--- is the wattage removed while the external ambient is 35°C (A35A35). ---/yyy is the wattage removed while the external ambient is 50°C (A35A50).

** Noise level is determined at 1m from air conditioner in dB(A)



Other voltage supply versions are available on request. Contact your local B&R sales representative for more information.



For more information
brenclosures.com.au/air_conditioner_roof.htm

DEK Series

Indoor Roof Mount Air Conditioners



ACCESSORIES

Description	Part Number	Pack Qty	TX-DEK04BT0A	TX-DEK08BT0A	TX-DEK12BT0A	TX-DEK15BT0A	TX-DEK20BT0A	TX-DEK30BT0A	TX-DEK40BT0A	TX-DEK20LT0A	TX-DEK30LT0A	TX-DEK40LT0A
Metal filters	TX-C15000172	1	•									
	TX-C15000174	1		•								
	TX-AADFM12	1			•	•	•			•		
	TX-AADFM30	1						•	•		•	•
Cloth filters	TX-C15000171	5	•									
	TX-C15000173	5		•								
	TX-AADFP12	5			•	•	•			•		
	TX-AADFP30	5						•	•		•	•

Keeping Your Equipment Cool

Important considerations

Keeping internal equipment operating at optimal temperatures can be difficult to manage. Here are some simple guidelines when keeping installed equipment cool.



Operating temperature of internal equipment

Some equipment is relatively tolerant of high or low temperatures and does not need close consideration, however there are pieces of equipment that do, such as batteries and electronics. The first point of call is to understand the equipment requirements and their function. For example, industrially hardened electronics can be used in cases where high temperatures are always expected. Where batteries are used high temperatures can seriously degrade their performance. Occasional short term heating effects may not be too detrimental to the equipment and so the average effect is important.

Internal heat sources

Electronics or control equipment often draw some current and therefore do generate heat which goes to heating the internals of an enclosure. Depending on the dissipated wattage of these devices the heat within the enclosure could become significant. Heat inside an enclosure also tends to rise to the top resulting in a higher temperature at the top as opposed to the bottom of the enclosure. For this reason, sometimes it is prudent to place more sensitive equipment at the bottom of the enclosure. The temperature difference between the top and bottom of an enclosure could vary by 10-60% as outlined in AS 60890-2009. It is important to also consider high current carry cables as they will also generate heat.

Partitions inside an enclosure

For any enclosure, the top surface is the most important to allow the dissipation of internal heat. If an enclosure has an internal partition, heat build-up below the partition can cause excessive heating. Caution needs to be exercised when planning an internal partition. If a partition is unavoidable then try to ensure that the partition has good ventilation to allow for the most effective flow of air. If one is segregating mains power from data circuits, then the maximum size of this ventilation opening should be 12mm (IP23 Wiring Rules, work to 11mm to be sure).

Climatic Conditions

Temperature

Ambient temperature plays a major role in understanding how the internal temperature of an enclosure will operate. Unless there is some active means such as air-conditioners, the internal

temperature of an enclosure cannot be less than the ambient. For example, if an enclosure is installed in Cooper-Pedythen one can expect relatively high internal temperatures on the hottest days of the year, which sometimes can be in excess of 50°C. Ambient temperature is also cyclic as night and day cycles and it is true that the internal temperature of an enclosure may only reach a high temperature for a short period of time which may not cause any damage to some types of equipment.

Solar Irradiation

The heating effect of the sun, varies dramatically depending on a number of conditions. The latitude and altitude of the application can have a strong bearing on the internal temperature of an enclosure. Conditions such as wind, clouds, rain and air pollution can also have an effect. It is often difficult to allow for these effects due to the uncertainty of variables however the use of sunshades can simplify these considerations.

Wind

Wind is one of those parameters that is often ignored however it does have a bearing on the average temperatures one could experience inside an enclosure. For example, if one lives in a windy, coastal environment, the wind could play a significant role in keeping internal temperatures down. The enclosure location is therefore always a key consideration.

Colour of an enclosure

The colour of an enclosure plays a significant role on the internal temperature of an enclosure. For example, a black enclosure will absorb more heat from the sun than an enclosure that is white. Therefore choosing a light colour helps to minimise internal temperature rise.

Position of an enclosure

The position of an enclosure will also have a large effect on the internal temperature. For example, an indoor enclosure will not experience solar irradiation so many heating effects of solar irradiation are minimal. However, outdoors both a solar and internal heat source should be considered. An enclosure effectively dissipates its internal heat through the surface area of the enclosure. Therefore if an enclosure is mounted against a wall this effectively removes that surface from the cooling equation. Positioning of an enclosure needs to be carefully considered.

BLU-BIT Series

Air-Water Heat Exchangers



- Designed for demanding environments.
- Suitable for high dust, high temperature environments where chilled water is available (chillers are **NOT** sold by B&R Enclosures).
- Cooling capacities from 1kW to 15kW.
- Extremely low maintenance.
- High IP55 protection rating maintains seal between heat exchanger and enclosure.
- Electromechanical thermostat, solenoid valve or level switch is **NOT** included (sold separately).
- Manufactured from mild steel.
- Powdercoated Pebble Grey RAL7032 (other colours available on request).

Comes standard with:

- All fixings required for assembly.



ORDERING GUIDE

Part Number	Supply Voltage (V)	Cooling Capacity (W)*	Water Flow Rate (L/hr)	Dimensions (mm)			Running Current (A)	Inrush Current (A)	Noise Level**	Weight (kg)	Mounting
				Height	Width	Depth					
TX-BIT25BX0A [▲]	230	2500	500	270	540	400	0.30	2	58	19	Top
TX-BLU10BX0A [▲]	230	1000	150	453	311	115	0.17	2	55	12	Side/Door
TX-BLU18BX0A [▲]	230	1750	150	901	398	137	0.36	2	58	18	Side/Door
TX-BLU25BX0A [▲]	230	2500	500	901	398	137	0.30	2	58	19	Side/Door
TX-BLU35BX0A [▲]	230	3500	500	1148	398	163	0.55	2	64	29	Side/Door
TX-BLU45BX0A [▲]	230	4500	500	1148	398	163	0.70	2	69	30	Side/Door
TX-BLU60BX0A [▲]	230	6000	800	1502	450	163	0.70	2	69	40	Side/Door

[▲]Available on request

* Wattage cooling capacity while maintaining the internal temperature at 35°C with 10°C inlet water temperature according to DIN EN14511(W10A35).

** Noise level is determined at 1m from air conditioner.

ACCESSORIES

Part Number	Description	Supply (V)
TX-C16000002	Gas bulb thermostat	230
TX-C15000119	Solenoid valve	230
TX-C16000140	Level actuator	230



Versions which include the electromechanical thermostat, solenoid valve or level switch are available on request or can be purchased separately.



For more information
brenclosures.com.au/air-water_heat_exchanger.htm

MIX Series

Air-Air Heat Exchangers



- Designed for applications where the enclosures internal temperature is much higher than the ambient temperature.
- Cooling output from 14kW to 80kW.
- Maintenance is minimised by using highly optimised heat exchange surface designed to reduce fouling.
- Can be installed inside or outside the enclosure.
- Other supply options available on request.
- Manufactured from mild steel.
- Powdercoated Pebble Grey RAL7032.

Comes standard with:

- All fixings required for assembly.



ORDERING GUIDE

Part Number	Supply (V)	Cooling Capacity (W/K)*	Dimensions (mm)			Running Current (A)	Fuse Rating (A)	Noise Level (dBL)**	Weight (kg)
			Height	Width	Depth				
TX-MIX22BX0A	230	22	413	189	149	0.5	1	59	7.0
TX-MIX36BX0A	230	26	771	316	93	0.6	1	67	10.0
TX-MIX80BX0A	230	80	1260	317	108	2.1	2	75	17.0

* See selection diagram on page 113 to determine most appropriate sizing / product.

** Noise level is determined at 1m from air conditioner in dB(A)

ACCESSORIES

Product	Description	Part Number
Electromechanical thermostat	5 - 60°C SPDT contacts, 250VAC, 10A	TX-AAWTS10
	0 - 60°C SPST (NC) contacts, 250VAC, 10A	TX-AAWTC10

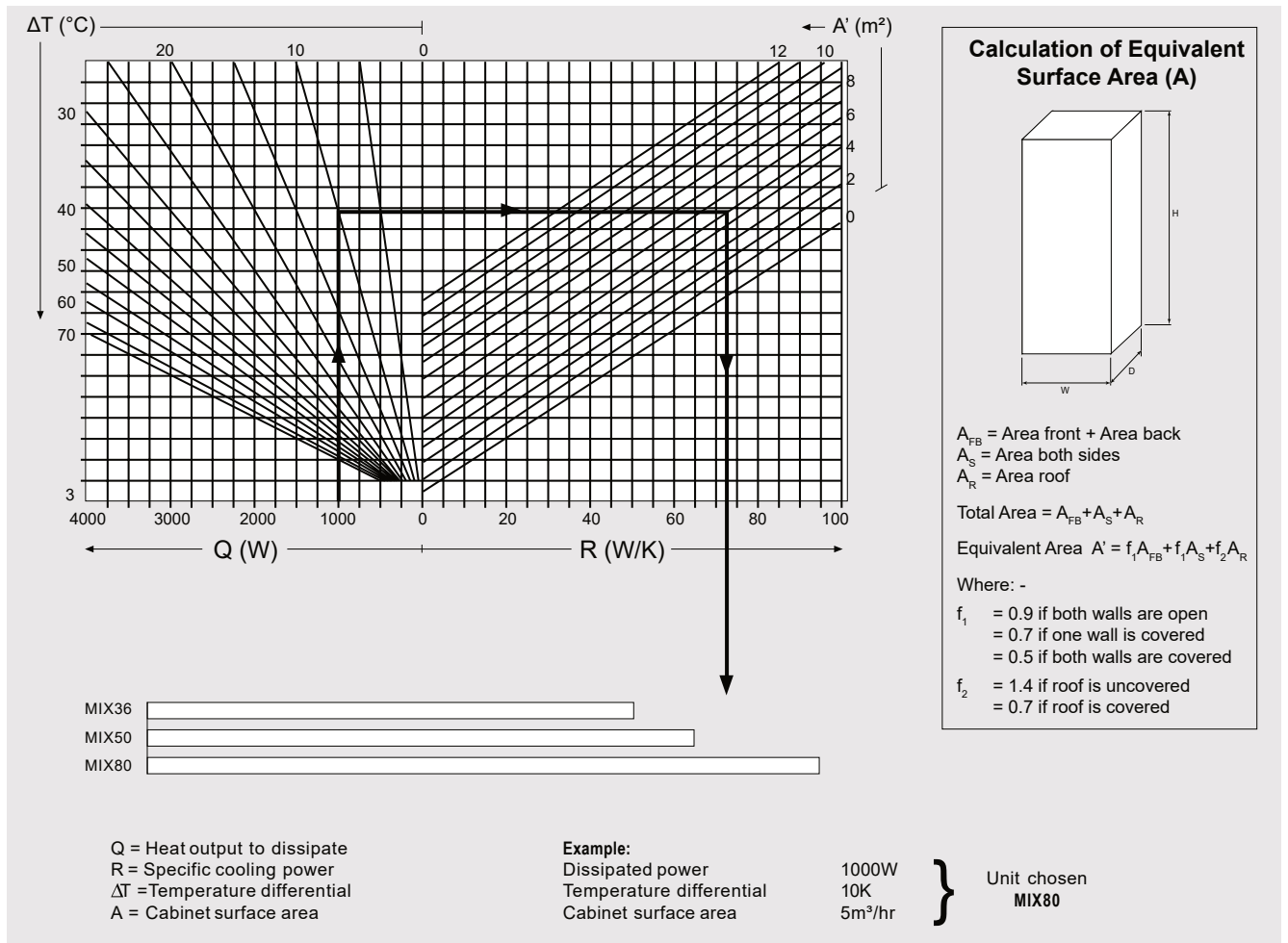


Other voltage supply versions are available on request. Contact your local B&R sales representative for more information.



For more information
[« brenclosures.com.au/air-air_heat_exchanger.htm](http://brenclosures.com.au/air-air_heat_exchanger.htm)

SELECTION DIAGRAM



FAN & FIL Series

Ventilating Units



- Fans and filters with air flow capacities from 57 to 580m³/h.
- Fan units are reversible to pressurise or evacuate air out of the enclosure as required.
- Service life exceeds 45,000 hours of service.
- Over current protection is built into the motor.
- All fans are bearing supported and rated for 100% duty cycle.
- Operating temperature -10°C to 55°C.
- Other supply options available on request.
- Powdercoated Pebble Grey RAL7032 or Light Grey RAL7035.

- Comes standard with:
- All fixings required for assembly
 - Gaskets



ORDERING GUIDE

Part Number	Power Supply (V)	Air Flow Rate (m ³ /hr)	External Dimensions (mm)			Colour	Matching Filter
			Height	Width	Depth		
TX-FAN12UN0A	24 DC	60	150	150	67	Pebble Grey RAL7032	TX-FIL12XN0A
TX-FAN12VN0A	48 DC	60	150	150	67		
TX-FAN12BN0A	230 AC 1ph	57	150	150	67		
TX-FAN23UN0A [*]	24 DC	120	250	250	102		TX-FIL25XN0A
TX-FAN23VN0A [*]	48 DC	120	250	250	102		
TX-FAN23BN0A	230 AC 1ph	115	250	250	102		
TX-FAN25UN0A [*]	24 DC	230	250	250	114		
TX-FAN25VN0A [*]	48 DC	230	250	250	114		
TX-FAN25BN0A	230 AC 1ph	230	250	250	114		
TX-FAN35BN0A	230 AC 1ph	520	325	325	153		TX-FIL35XN0A
TX-FAN35LN0A [*]	400 AC 3ph	520	325	325	153		
TX-FAN12UN0B [*]	24 DC	60	150	150	67	Light Grey RAL7035	TX-FIL12XN0B
TX-FAN12BN0B [*]	230 AC 1ph	57	150	150	67		TX-FIL25XN0B
TX-FAN25UN0B [*]	24 DC	230	250	250	114		TX-FIL35XN0B
TX-FAN25BN0B [*]	230 AC 1ph	230	250	250	114		
TX-FAN35BN0B [*]	230 AC 1ph	520	325	325	153		

^{*}Available on request

ACCESSORIES

Product	Description	Part Number	Pack Qty	TX-FAN12UN0A	TX-FAN12VN0A	TX-FAN12BN0A	TX-FAN23UN0A	TX-FAN23VN0A	TX-FAN23BN0A	TX-FAN25UN0A	TX-FAN25VN0A	TX-FAN25BN0A	TX-FAN35BN0A	TX-FAN35LN0A	TX-FAN12UN0B	TX-FAN12BN0B	TX-FAN25UN0B	TX-FAN25BN0B	TX-FAN35BN0B	TX-FIL12XN0A	TX-FIL25XN0A	TX-FIL35XN0A	TX-FIL12XN0B	TX-FIL25XN0B	TX-FIL35XN0B	
Cloth filters	Class EU5 (high efficiency)	TX-AAFFH12	10	•	•	•																				
		TX-AAFFH25	10				•	•	•	•	•	•	•													
		TX-AAFFH35	10											•	•											
	Class EU4	TX-AAFFN12	10	•	•	•																				
		TX-AAFFN25	10				•	•	•	•	•	•	•													
		TX-AAFFN35	10										•	•												



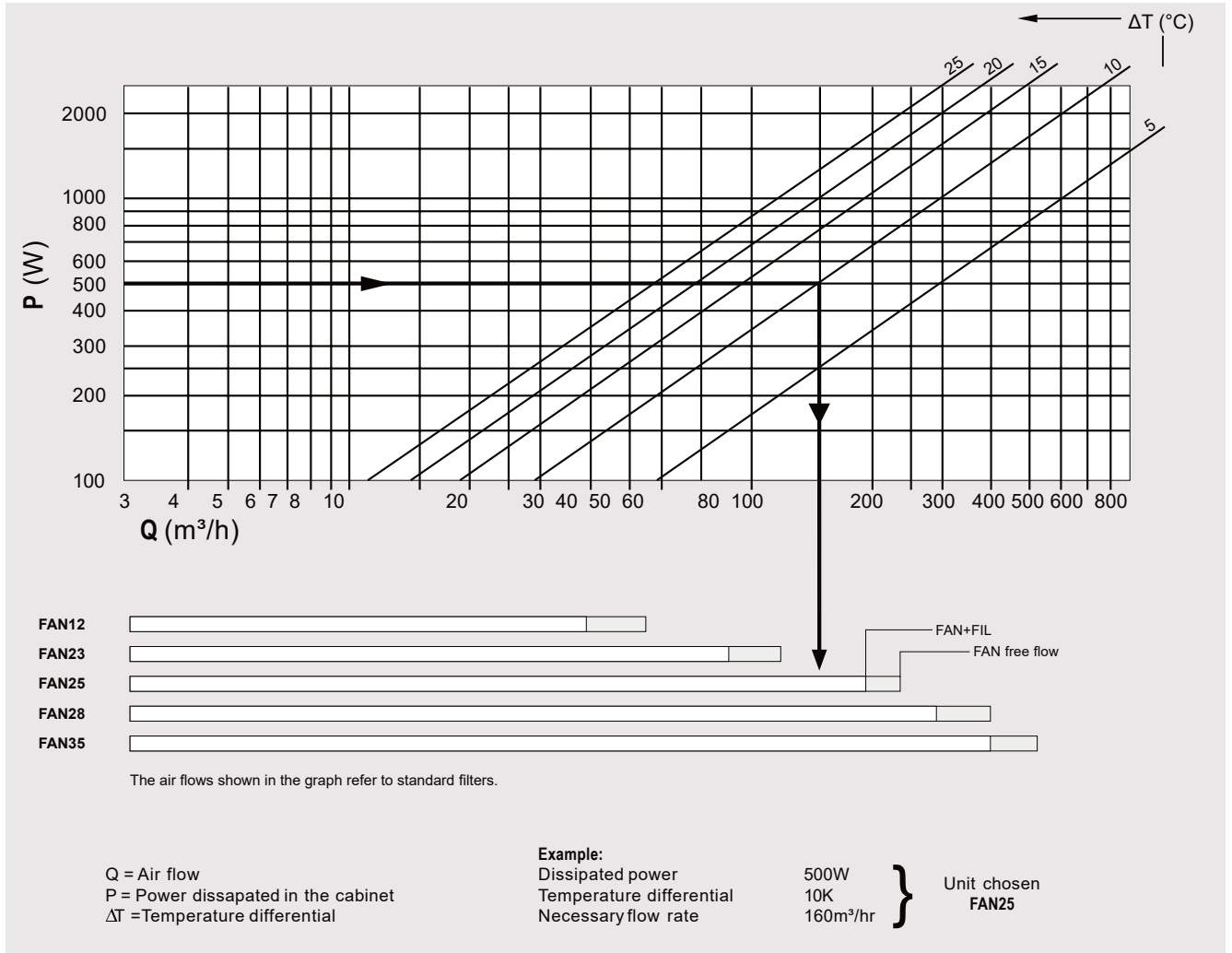
For more information
[« brenclosures.com.au/fan-fil_ventilating_units-htm.htm](http://brenclosures.com.au/fan-fil_ventilating_units-htm.htm)

FAN & FIL Series

Ventilating Units



SELECTION DIAGRAM



i See Page 82 for a range of vent hoods suitable for use with FAN/FIL Series.

DLK Series

Ventilating Towers



- Designed to provide the air capacity to allow significant cooling using external air.
- Air flow capacities from 550 to 3670m³/h.
- All fans are bearing supported and rated for 100% duty cycle.
- Service life exceeds 45,000 hours of service.
- Over current protection built into motor.
- Operating temperature -20°C to 60°C.
- Other supply options available on request.
- Powdercoated Pebble Grey RAL7032.

Comes standard with:

- All fixings required for assembly



ORDERING GUIDE

Part Number	Power Supply (V)	Air Flow Rate (m ³ /hr)*	External Dimensions (mm)			Matching Filter Grill
			Height	Width	Depth	
TX-DLK19BX0A	230 AC 1ph	550/500	122	375	375	TX-FIL35XN0A
TX-DLK22BX0A	230 AC 1ph	800/700	122	375	375	
TX-DLK42BX0A*	230 AC 1ph	2100/1900	315	637	637	
TX-DLK45BX0A*	230 AC 1ph	2700/2500	315	637	637	
TX-DLK48BX0A*	230 AC 1ph	3700/3300	315	637	637	
TX-DLR19XX0A*	–	–	122	375	375	

*Available on request

* Simple vent for roof of enclosure (i.e. a turret without the fan fitted).

+ xxx/yyy – "xxx" denotes air flow rate in free air and "yyy" denotes air flow rate with matching filter grill.

ACCESSORIES

Part Number	Description	Pack Qty	To suit products
TX-AAFFH35	Class EU5 cloth filter (high efficiency)	10	FAN35 & FIL35
TX-AAFFN35	Class EU4 cloth filter	10	FAN35 & FIL35

NOTE: Air flow will decrease when using filter.



Other voltage supply versions are available on request. Contact your local B&R sales representative for more information.



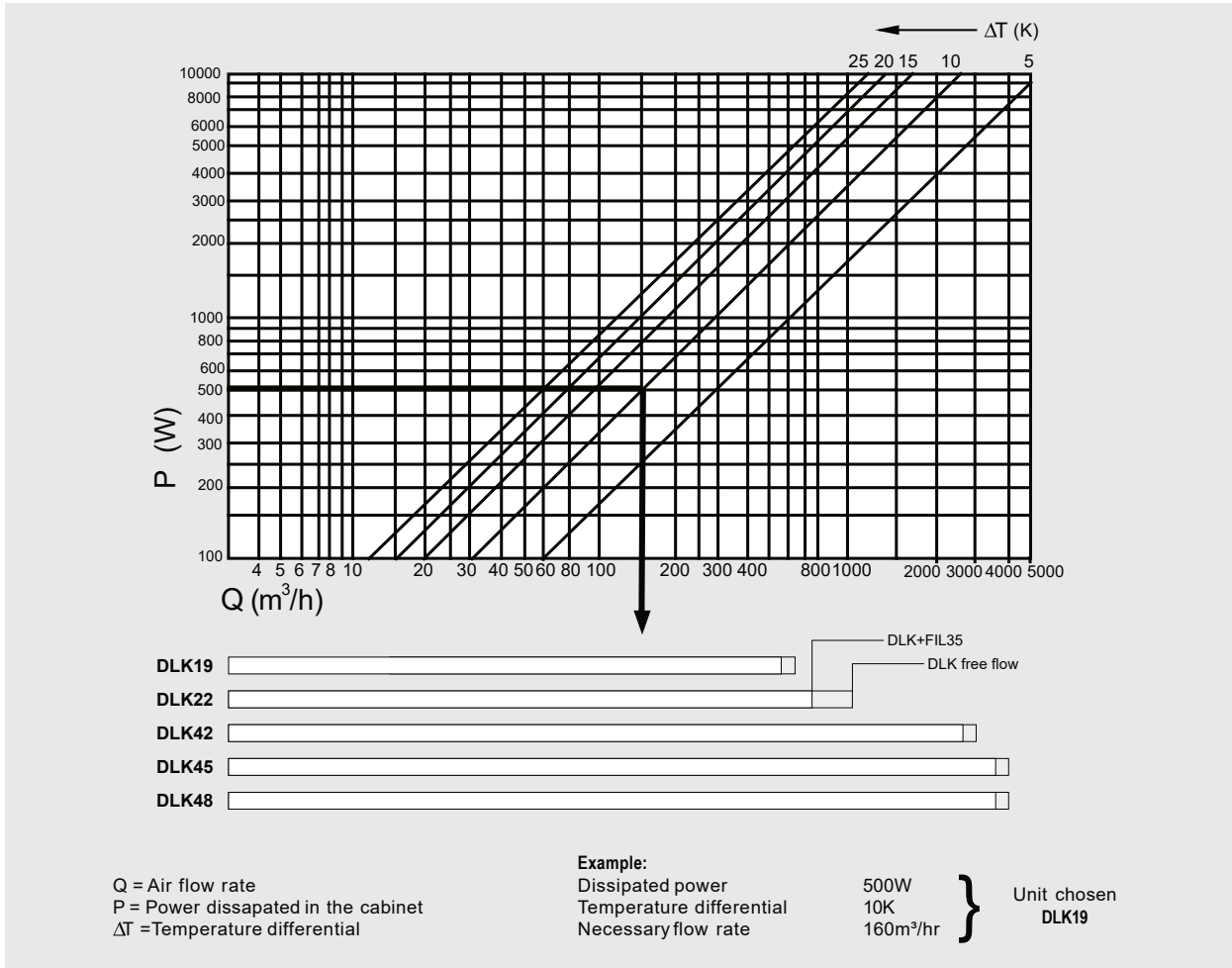
For more information
[« brenclosures.com.au/fan-fil_ventilating_units-htm.htm](http://brenclosures.com.au/fan-fil_ventilating_units-htm.htm)

DLK Series

Ventilating Towers



SELECTION DIAGRAM



Anti-Condensation Heaters

B&R's WID Series of anti-condensation heaters prevents faults or corrosion due to excessively low temperatures or high humidity levels inside the enclosure.

Condensation is affected by temperature, humidity and air pressure. Therefore to control condensation inside an enclosure, protecting electrical equipment, we can try and affect any of these three parameters. Extracting humidity is in-itself relatively difficult. Equalising air pressure helps but does not necessarily prevent condensation. Increasing internal temperature can allow the dew point never to be reached and is a recommended solution.

However AS/NZS 3000:2018 has introduced consideration for the implementation of breathing/pressure equalisation valves. B&R also offer breathers that are IP66 rated. These breathers allow pressure equalisation while continuing to maintain the enclosures IP rating. A heater together with a humidistat controller remains the recommended control method.



Enclosures

Enclosure Volume	Heater	
<1m ³	TX-WID05ZX0P	50W
>1m ³ but <2m ³	TX-WID10BLOC	100W
>2m ³ but <3m ³	TX-WID15BLOC	150W

Controllers

Part Number	Description
TX-AAWHS10	Humidistat
TX-AAWTC10	Thermostat

Breathers

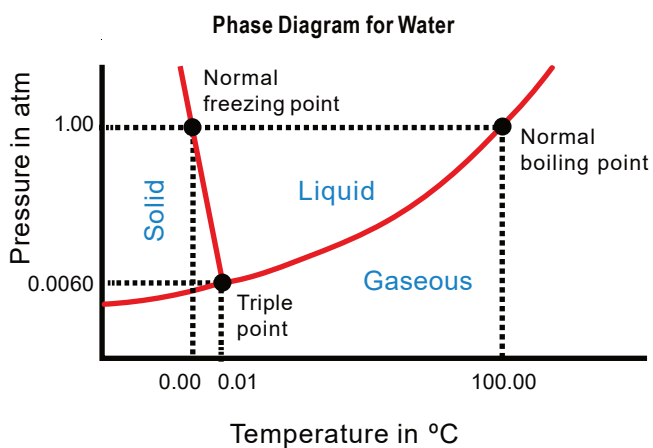
Part Number	Description
IPBRTH	Plastic Breather
IPBRTH/S	Stainless Steel Breather





Anti-condensation heaters are required to prevent faults or corrosion due to excessively low temperatures or high humidity levels inside the cabinet.

These conditions can occur when the ambient temperature is low and the equipment inside the cabinet is not powered or does not dissipate sufficient heat to keep the internal temperature above a minimum threshold. Outdoor cabinets are almost always found in these conditions.



See Page 120 for the full range of anti-condensation heaters or contact your local sales representative for more details.

WID Series

Anti-Condensation Heaters



- Designed to heat an enclosure without condensation being produced.
- Suitable for use in enclosures where low temperature or high humidity may cause condensation to form in the enclosure, damaging equipment.
- All heaters in this range will not overheat due to self-limiting from positive temperature co-efficient.
- Heating power ranges from 10W – 550W.
- Fan heaters have an expected lifetime of 50,000 hours.
- Available in either 110-250V AC/DC or 230 V 50/60Hz.
- Thermostat or humidistat optional.
- All fans are bearing supported and rated for 100% duty cycle.
- Operating temperature 60°C.
- Other supply options available on request.
- Conformity, Approvals:
 - UL 94 V-0 (non-metal parts only)
- Manufactured from die cast aluminium / plastic.

Comes standard with:

- All fixings required for assembly to DIN rail.



ORDERING GUIDE

Part Number	Supply (V)	Heating Capacity (W)*	External Dimensions (mm)		
			Height	Width	Depth
TX-WID01ZX0X	110-250 AC/DC	10	61	50	25
TX-WID02ZX0X	110-250 AC/DC	20	71	50	25
TX-WID03ZX0X	110-250 AC/DC	30	81	50	25
TX-WID05ZX0X	110-250 AC/DC	45	109	70	50
TX-WID10ZX0X	110-250 AC/DC	100	184	70	50
TX-WID15ZX0X	110-250 AC/DC	150	264	70	50
TX-WID05ZX0P	110-250 AC/DC	50	81	50	25
TX-WID10ZX0P	110-250 AC/DC	100	110	60	90
TX-WID15ZX0P	110-250 AC/DC	150	150	60	90
TX-WID10BL0C	230 AC 1ph	100	112	80	47
TX-WID15BL0C	230 AC 1ph	150	112	80	47
TX-WID20BL0C	230 AC 1ph	200	151	119	47
TX-WID30BL0C	230 AC 1ph	300	151	119	47
TX-WID40BL0C	230 AC 1ph	400	151	119	47
TX-WID35BL0T#	230 AC 1ph	350	165	100	128
TX-WID55BL0T#	230 AC 1ph	550	165	100	128

* Heating capacity at ambient of 20°C

Includes built-in thermostat

ACCESSORIES

Part Number	Product	Description
TX-AAWHS10	Humidistat	Adjustable 35-95% RH Contact: SPDT 10A / 250VAC
TX-AAWTC10	Thermostat	Adjustable 0–60°C Contact: SP NC 10A / 250VAC
TW-AAWTS10		Adjustable 0–60°C Contact: SPDT 10A / 250VAC
TT-AAFTO12		Adjustable 0–60°C Contact: SP NO 10A / 250VAC



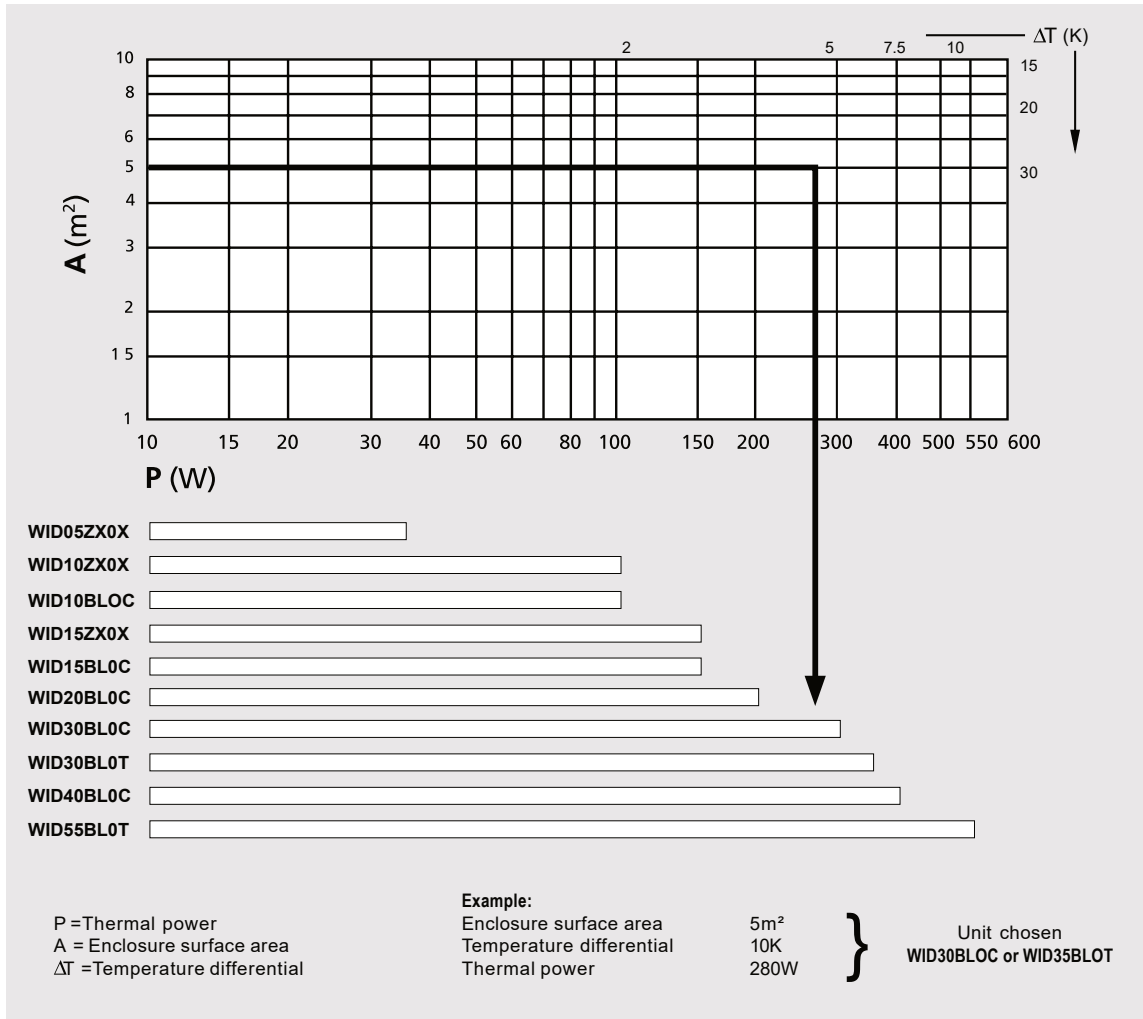
For more information
« brenclosures.com.au/anticondensation_heater.htm

WID Series

Anti-Condensation Heaters



SELECTION DIAGRAM



Accessories

General accessories for climate control products.

Thermostats

Extremely compact thermostat with quick snap-in installation and a wide adjustment range. It has either a normally closed (NC), normally open (NO) or a single pole single throw (SPST) contacts. Thermostats are mainly used to control the fans, heat exchangers or to indicate a maximum temperature signal as the contacts are potential free.

Part Number	Specification	Pack Qty
TX-AAWTC10	Bi-metal, Adjustable 0-60°C Contact: SP NC 10A/250VAC	1
TX-AAWTS10	Bi-metal, Adjustable 0-60°C Contact: SPDT 10A/250VAC	1
TX-AAFTO12	Bi-metal, Adjustable 0-60°C Contact: SP NO 10A/250VAC	1



TX-AAWTC10



TX-AAWTS10



TX-AAFTO12

Dual Thermostats

Dual element thermostats in a single housing having the same benefits as the single element versions but allow the control of two items within the enclosure. For example one thermostat with contact normally closed for the regulation of heating appliances and one thermostat with contact normally open for the regulation of fans with filters or heat exchangers.

Part Number	Specification	Pack Qty
TX-C16000385	TWIN Bi-metal, Adjustable 0-60°C Contact: SP NC/NC 10A/250VAC	1
TX-C16000386†	TWIN Bi-metal, Adjustable 0-60°C Contact: SP NO/NO 10A/250VAC	1
TX-C16000387†	TWIN Bi-metal, Adjustable -10°C-80°C Contact: SP NO/NO 10A/250VAC	1

† While Stocks Last



TX-C16000385

Gas Bulb Temperature Control Thermostat

Gas bulb temperature control thermostat, adjustable range between 20° and 46° C.

Part Number	Specification	Pack Qty
TX-C16000002	Gas bulb, Adjustable 20°C-46°C Contact: 2A / 250VAC 6.3 x 0.8mm FASTON connections 44x38x34mm	1



TX-C16000002

Accessories

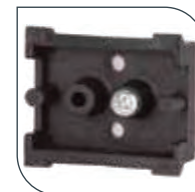
General accessories for climate control products.



Small Plastic DIN Rail Accessory

For installing thermostats or other small devices inside enclosures. It is easy to apply with the anti-ageing adhesive strip which can support a continuous load up to 500 g. It can also be screw mounted to a panel.

Part Number	Specification	Pack Qty
TX-AAWFT10	Thermostats and humidistat TX-AAWHS10, TX-AAWTC10, TX-AAWTS10, TX-C16000385, TX-C16000386, TX-C16000387	



Class EU5 Cloth Filters

The highly efficient class EU5 cloth filters are used in environments where there is very fine dust achieving up to 97% filtration. By using this kind of filter an IP54 protection level can be achieved. High efficiency cloth filters will restrict air flow rate and therefore fans should be over sized for the application. To maintain a high performance of these types of ventilating units it is necessary to periodically check how dirty the cloth filter is and, if necessary, change it with a new one.

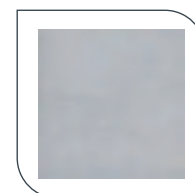
Part Number	Specification	Pack Qty
TX-AAFFH12	FAN12 & FIL12	10
TX-AAFFH25	FAN23-25-28 & FIL25	10
TX-AAFFH35	FAN35 & FIL35	10



Class EU4 Cloth Filters

These are standard class EU4 cloth filters for FAN units achieving up to 91% filtration. By using this kind of filter an IP44 protection level can be achieved. To maintain a high performance of these types of ventilating units it is necessary to periodically check how dirty the cloth filter is and, if necessary, change it with a new one. These filters are made in self-extinguishing synthetic fibres with a very close mesh and a progressive filtering strength. Using these filters efficiency reaches 91%.

Part Number	Specification	Pack Qty
TX-AAFFN12	FAN12 & FIL12	10
TX-AAFFN25	FAN23-25-28 & FIL25	10
TX-AAFFN35	FAN35 & FIL35	10



Metal Air Filters

All air conditioners are designed to be highly robust and very low in maintenance however in extreme dusty conditions the cooling units can be fitted with metal air filters to ease maintenance cycles. Compared to the polyurethane foam filters, metal filters are not as aggressive but are easier to clean and maintain. Due to their all aluminium construction they are very robust and can be cleaned with most degreasing detergents again and again.

Part Number	Used with	Pack Qty
TX-AADFM12	DEK12-15-20	1
TX-AAEFM04	EGO04	1
TX-AAEFM06	EGO06	1
TX-AAEFM10	EGO08-10	1
TX-C15000164	EGO12-16-20	1
TX-C15000172	DEK04	1
TX-C15000174	DEK08	1



Accessories

General accessories for climate control products.

Polyurethane Air Filters

All airconditioners are designed to be highly robust and very low in maintenance however if the ambient air is highly contaminated (containing particles or aerosols) a filter can be installed behind the intake grille in the space left for it. These filters are made from a polyurethane foam which has excellent mechanical and chemical resistance characteristics.



Part Number	Used with	Pack Qty
TX-AADFP12	DEK12-15-20	5
TX-AADFP30	DEK30-40	5
TX-AAEFP04	EGO04	5
TX-AAEFP06	EGO06	5
TX-AAEFP10	EGO08-10	5
TX-C15000163	EGO12-16-20	5
TX-C15000171	DEK04	5
TX-C15000173	DEK08	5

Humidistats

An alternative method for controlling humidity is using a humidistat with a heater. The dew point inside an enclosure is relative to the humidity and temperature difference between the inside and outside of the enclosure. Heating the internal of the enclosure in high humidity applications will reduce condensation.



Part Number	Specification	Pack Qty
TX-AAWHS10	Adjustable 35-95%RH Contact: SPDT 10A/250VAC	1

Electronic Thermostat

The microprocessor based controller is designed to be suitable for refrigerating applications providing easy set point adjustment, alarm outputs and inputs with an external LED display showing internal temperature.



Part Number	Specification	Pack Qty
TX-C16000259	Power supply: 230Vac ±10%, 50/60Hz Inputs: 1 NTC probe Digital input: free voltage contact Relay outputs: Temperature control output 1: SPDT 12A 250Vac, Alarm output 2: SPST 5A 250Vac Operating temperature: 0-60 °C	1

Project Profile

Peninsula ECO Project, Mornington Peninsula Victoria



The Peninsula ECO Project required construction of 15.4km of transfer main and pump station as part of the Southern Mornington Peninsular Backlog Sewerage Scheme.



Also known as the Peninsula Early Connection Offer (Peninsula ECO) Transfer System, the system will transfer sewage from Rye, Blairgowrie, Sorrento and Portseato Boneo Sewage Treatment Plant (STP).

B&R were contracted to supply the enclosures used to provide mechanical protection to above ground air valves and carbon canisters.

The demand to provide sewerage connections to more than 16,000 properties was driven by evidence of waste from failing household septic tanks along the Peninsula. In turn, polluting groundwater, waterways and the environment.

To support the infrastructure, B&R's design solution required high integrity to withstand potential vandalism, adequate ventilation and aesthetics to suit the high visibility location.

“ B&R's ability to provide design advice in the early phases of quoting and flexibility in project delivery provided unsurpassed value to the customer. ”

After close communication on the specified drawings, B&R's custom design included single, double and four door 3mm marine grade aluminium cabinets. The cabinets were also required to be within SEW "Eucalyptus green" paint requirements for cabinets. Fitted with padlockable swing handles and stainless steel fittings, the design prioritised security and quality.

A particular point of difference in the B&R offer was the capability to design and manufacture using marine grade aluminium. A growing demand for aluminium as a preferred material has seen B&R design standard and custom aluminium cabinets to the likes of Ansaldo, Coffs Harbour, Fremantle Ports and Victoria Roads.

The Peninsula ECO Project specified the use of 3mm marine grade aluminium. The advantages of using aluminium as an alternative to stainless steel or zinc coated steel include improved corrosion resistance in marine atmospheres and low density and excellent thermal conductivity for high exposure environments. The use of aluminium also lends to decreased costs in freight and general installation due to its lighter make-up.

Building on an existing relationship with SEW, whom B&R have previously supplied to, B&R became the preferred supplier over local competitors for the FHDB partnership. With extensive experience in the water utilities market, B&R's ability to not only provide design advice in the early phases of quoting but also provide flexibility in project delivery including trading terms and order delivery – provided unsurpassed value to the client.

The provision for a single, reliable point of contact from B&R who shepherded the project from start to finish enabled a seamless negotiation process to fulfill all stakeholder needs.

Overall, the execution of the Peninsula ECO Project was successful with custom cabinets designed to the specification and delivered in accordance with the delivery schedule to the site yard.



For more information
« brenclosures.com.au/project/peninsula-eco-project/

Product Index

PART NUMBER	PAGE
BL040320/S	54, 55
BL040420/S	54, 55
BL060420/S	54, 55
BL060630/S	54, 55
BL080630/S	54, 55
BL120830/S	54, 55
BM040320/S	54, 55
BM040420/S	54, 55
BM060420/S	54, 55
BM060630/S	54, 55
BM080630/S	54, 55
BM120830/S	54, 55
BRLED300	55, 57, 59, 61, 63, 93
BRLED300/24	55, 57, 59, 61, 63, 93
BRLED500	43, 45, 55, 57, 59, 61, 63, 92, 93
BRLED500/24	43, 45, 55, 57, 59, 61, 63, 92, 93
BRLEDK03	93
BRLEDK05	93
BRMOT	92, 93
BW040320/S	54, 55
BW040420/S	54, 55
BW060420/S	54, 55
BW060630/S	54, 55
BW080630/S	54, 55
BW120830/S	54, 55
BWHE040420	55
BWHE060420	55
BWHE060630	55
BWHE080630	55
BWHE120830	55
BWLKB04	55, 93
BWLKB06	55, 93
BWLKB08	55, 93
CT/SQK	68
CTB/E2	68
CTC/68	68
CTC200/400A	68
CTC630A	68
CTPFK	68
DD020	72, 73
DD020/PS	72, 73
DD030	72
DD040	72
DD050	72
DD052	72
DD052/S	72
DD10103	42, 43
DD10103/S	44, 45
DD111	72
DD12103	42, 43
DD12103/S	44, 45
DD12124	42, 43
DD12124/S	44, 45
DD16104	42, 43

PART NUMBER	PAGE
DD16104/S	44, 45
DD16124	42, 43
DD16124/S	44, 45
DD18104	42, 43
DD18104/S	44, 45
DD18124	42, 43
DD18124/S	44, 45
DD18125	42, 43
DD18125/S	44, 45
DD20104	42, 43
DD20104/S	44, 45
DD20124	42, 43
DD20124/S	44, 45
DD20125	42, 43
DD20125/S	44, 45
DDCIP103	43, 45
DDCIP104	43, 45
DDCIP124	43, 45
DDCIP125	43, 45
DDLKB10	43, 45, 92
DDLKB12	43, 45, 92
DDLTK10	43, 45
DDLTK12	43, 45
DDPB011003	43, 45
DDPB011004	43, 45
DDPB011204	43, 45
DDPB011205	43, 45
DDRH103	43
DDRH103/S	45
DDRH104	43
DDRH104/S	45
DDRH124	43
DDRH124/S	45
DDRH125	43
DDRH125/S	45
DDSGP	43, 45
DIN35/15AL	87
DIN35/7.5	87
DIN35/7.5SL	87
DINSB	87
ECESK	90
FC130706	96, 97
FC130706/A	96, 97
FC130706/S	96, 97
FC160706	96, 97
FC160706/A	96, 97
FC160706/S	96, 97
FC190706	96, 97
FC190706/A	96, 97
FC190706/S	96, 97
FC220706	96, 97
FC220706/A	96, 97
FC220706/S	96, 97
FCBK1306	99

PART NUMBER	PAGE
FCBK1306/S	99
FCBK1606	99
FCBK1606/S	99
FCBK1906	99
FCBK1906/S	99
FCBK2206	99
FCBK2206/S	99
FCBT	98
FCCD15/19	89, 99
FCCP1306	98
FCCP1306/A	98
FCCP1306/S	98
FCCP1306V	98
FCCP1306V/A	98
FCCP1306V/S	98
FCCP1606	98
FCCP1606/A	98
FCCP1606/S	98
FCCP1606V	98
FCCP1606V/A	98
FCCP1606V/S	98
FCCP1906	98
FCCP1906/A	98
FCCP1906/S	98
FCCP1906V	98
FCCP1906V/A	98
FCCP1906V/S	98
FCCP2206	98
FCCP2206/A	98
FCCP2206/S	98
FCCP2206V	98
FCCP2206V/A	98
FCCP2206V/S	98
FCDS	99
FCGA0706	99
FCLC19/19	89, 99
FCLK	99
FCPLN07	99
FCRU24	99
FCRU31	99
FCRU38	99
FCRU45	99
FCSF06/19	98
FCSF06/21	98
FCSH06/19	98
FCSH06/21	98
FCST06/19	98
FCST06/21	98
FCSW	99
FCTHERM	99
FI101040/S	50, 51
FI151250/S	50, 51
FR030212	28, 29
FR030215	28, 29

PART NUMBER	PAGE
FR030315	28, 29
FR030320	28, 29
FR030415	28, 29
FR030420	28, 29
FR040315	28, 29
FR040320	28, 29
FR040420	28, 29
FR040430	28, 29
FR050320	28, 29
FR050420	28, 29
FR050520	28, 29
FR050530	28, 29
FR060320	28, 29
FR060420	28, 29
FR060430	28, 29
FR060620	28, 29
FR060630	28, 29
FR070420	28, 29
FR080620	28, 29
FR080630	28, 29
FR100630	28, 29
FR100830	28, 29
FR100840	28, 29
FR120630	28, 29
FR120830	28, 29
FR120840	28, 29
IP020	74, 76, 91
IP020/PS	78, 91
IP020/S	91
IP028S/S	91
IP030	91
IP040	91
IP050	74, 76, 78, 91
IP050/S	91
IP052	91
IP052/S	91
IP060	91
IP060/S	91
IP09051/S	76, 77
IP111	91
IP13091/S	76, 77
IP13132	74, 75
IP13132/A	78, 79
IP13132/S	76, 77
IP13212	74, 75
IP13212/A	78, 79
IP13212/S	76, 77
IP13214	74, 75
IP13214/A	78, 79
IP13214/S	76, 77
IP21132	74, 75
IP21132/A	78, 79
IP21132/S	76, 77
IP21212	74, 75

Product Index



PART NUMBER	PAGE
IP21212/A	78, 79
IP21212/S	76, 77
IP21214	74, 75
IP21214/A	78, 79
IP21214/S	76, 77
IP21292	74, 75
IP21292/A	78, 79
IP21292/S	76, 77
IP21294	74, 75
IP21294/A	78, 79
IP21294/S	76, 77
IP21295	74, 75
IP21295/A	78, 79
IP21295/S	76, 77
IP25254	74, 75
IP25254/A	78, 79
IP25254/S	76, 77
IP29212	74, 75
IP29212/A	78, 79
IP29212/S	76, 77
IP29214	74, 75
IP29214/A	78, 79
IP29214/S	76, 77
IP29215	74, 75
IP29215/A	78, 79
IP29215/S	76, 77
IP29216	74, 75
IP29216/A	78, 79
IP29216/S	76, 77
IP29294	74, 75
IP29294/A	78, 79
IP29294/S	76, 77
IP37212	74, 75
IP37212/A	78, 79
IP37212/S	76, 77
IP37254	74, 75
IP37254/A	78, 79
IP37254/S	76, 77
IP37294/A	78, 79
IP37294/S	76, 77
IP45212	74, 75
IP45212/A	78, 79
IP45212/S	76, 77
IP45214	74, 75
IP45214/A	78, 79
IP45214/S	76, 77
IP45215	74, 75
IP45215/A	78, 79
IP45215/S	76, 77
IP45216	74, 75
IP45216/A	78, 79
IP45216/S	76, 77
IP45294	74, 75
IP45294/A	78, 79

PART NUMBER	PAGE
IP45294/S	76, 77
IP45295	74, 75
IP45295/A	78, 79
IP45295/S	76, 77
IP61214	74, 75
IP61214/A	78, 79
IP61214/S	76, 77
IP61215	74, 75
IP61215/A	78, 79
IP61215/S	76, 77
IP61216	74, 75
IP61216/A	78, 79
IP61216/S	76, 77
IP61294	74, 75
IP61294/A	78, 79
IP61294/S	76, 77
IP61295	74, 75
IP61295/A	78, 79
IP61295/S	76, 77
IP69214	74, 75
IP69214/A	78, 79
IP69214/S	76, 77
IP69215	74, 75
IP69215/A	78, 79
IP69215/S	76, 77
IP69294	74, 75
IP69294/A	78, 79
IP69294/S	76, 77
IP69295	74, 75
IP69295/A	78, 79
IP69295/S	76, 77
IP77135	74, 75
IP77136	74, 75
IP77214	74, 75
IP77214/A	78, 79
IP77214/S	76, 77
IP77215	74, 75
IP77215/A	78, 79
IP77215/S	76, 77
IP77216	74, 75
IP77216/A	78, 79
IP77216/S	76, 77
IP77294	74, 75
IP77294/A	78, 79
IP77294/S	76, 77
IP77295	74, 75
IP77295/A	78, 79
IP77295/S	76, 77
IP77296	74, 75
IP77296/A	78, 79
IP77296/S	76, 77
IP77298	74, 75
IPBO0840/D	90
IPBO612	90

PART NUMBER	PAGE
IPBO625	90
IPBO812	90
IPBO825	90
IPBO830	90
IPBRTH	118
IPBRTH/S	118
IPCDH	90
IPCG06	90
IPCG08	90
IPCN06	90
IPCN08	90
IPCR	88
IPCR01	88
IPCR02	88
IPCR03	88
IPCR04	88
IPCR05	88
IPDN03	87
IPDN05	87
IPDN07	87
IPDS	86
IPEJ	84
IPER05	84
IPER07	84
IPER19	84
IPFE1308	84
IPFE1313	84
IPFE1316	84
IPFE1321	84
IPFE1329	84
IPFE1616	84
IPFE2108	84
IPFE2113	84
IPFE2116	84
IPFE2121	84
IPFE2129	84
IPFE2408	84
IPFE2413	84
IPFE2416	84
IPFE2421	84
IPFE2429	84
IPFE2525	84
IPFE2908	84
IPFE2916	84
IPFE2921	84
IPFE2929	84
IPFE3208	84
IPFE3213	84
IPFE3216	84
IPFE3221	84
IPFE3229	84
IPFE3708	84
IPFE3713	84
IPFE3716	84

PART NUMBER	PAGE
IPFE3721	84
IPFE3725	84
IPFE3729	84
IPFE4508	84
IPFE4513	84
IPFE4516	84
IPFE4521	84
IPFE4529	84
IPFP0905	83
IPFP1309	83
IPFP1313	83
IPFP1321	83
IPFP2113	83
IPFP2121	83
IPFP2129	83
IPFP2525	83
IPFP2921	83
IPFP2929	83
IPFP3721	83
IPFP3725	83
IPFP3729	83
IPFP4521	83
IPFP4529	83
IPGA31	80
IPGA41	80
IPGA52	80
IPGB31	80
IPGB41	80
IPGB52	80
IPGP31	80
IPGP41	80
IPGP52	80
IPGS31	80
IPGS41	80
IPGS52	80
IPHE1313	84
IPHE1321	84
IPHE2113	84
IPHE2121	84
IPHE2129	84
IPHE2421	84
IPHE2429	84
IPHE2525	84
IPHE2921	84
IPHE2929	84
IPHE3221	84
IPHE3229	84
IPHE3721	84
IPHE3725	84
IPHE3729	84
IPHE4521	84
IPHE4529	84
IPHE6121	84
IPHE6129	84

Product Index

PART NUMBER	PAGE
IPHE6921	84
IPHE6929	84
IPHE7721	84
IPHE7729	84
IPHP1313	83
IPHP1321	83
IPHP2113	83
IPHP2121	83
IPHP2129	83
IPHP2421	83
IPHP2429	83
IPHP2525	83
IPHP2921	83
IPHP2929	83
IPHP3221	83
IPHP3229	83
IPHP3721	83
IPHP3725	83
IPHP3729	83
IPHP4521	83
IPHP4529	83
IPLC150	89
IPLC40	89
IPLKB04	57, 59, 61, 63, 93
IPLKB06	93
IPLKB08	57, 59, 61, 63, 93
IPLL	88
IPMP0905	82
IPMP1309	82
IPMP1313	82
IPMP1321	82
IPMP2113	82
IPMP2121	82
IPMP2129	82
IPMP2525	82
IPMP2921	82
IPMP2929	82
IPMP3721	82
IPMP3725	82
IPMP3729	82
IPMP4521	82
IPMP4529	82
IPMP6121	82
IPMP6129	82
IPMP6921	82
IPMP6929	82
IPMP7721	82
IPMP7729	82
IPN06	90
IPN08	90
IPNLK	90
IPOR06	90
IPP06	90
IPP10	90

PART NUMBER	PAGE
IPP13	90
IPPC/G	43, 45, 81
IPPC212	81
IPPC214	81
IPPC215	81
IPPC216	81
IPPC254	81
IPPC294	81
IPPC295	81
IPPC296	81
IPPC424	81
IPPC425	81
IPPC504	81
IPPC505	81
IPPC584	81
IPPC585	81
IPPCB	81
IPPH214	81
IPPH214/S	81
IPPH215	81
IPPH215/S	81
IPPH216	81
IPPH216/S	81
IPPH294	81
IPPH294/S	81
IPPH295	81
IPPH295/3	81
IPPH295/S	81
IPPH296	81
IPPH296/S	81
IPPLN	89
IPPLN04/35	89
IPPLN04/80	89
IPPLN06/15	89
IPPLN06/35	89
IPPLN06/80	89
IPRD6	88
IPRD8	88
IPRH051/S	80
IPRH091/S	80
IPRH132	80
IPRH132/S	80
IPRH211	80
IPRH211/S	80
IPRH212	80
IPRH212/S	80
IPRH214	80
IPRH214/S	80
IPRH215	80
IPRH215/S	80
IPRH216	80
IPRH216/S	80
IPRH254	80
IPRH254/S	80

PART NUMBER	PAGE
IPRH292	80
IPRH292/S	80
IPRH294	80
IPRH294/S	80
IPRH295	80
IPRH295/S	80
IPRH296	80
IPRH296/S	80
IPRK1313	84, 85, 86
IPRK1321	84, 85, 86
IPRK1329	84, 86
IPRK2113	84, 85, 86
IPRK2121	84, 85, 86
IPRK2129	84, 85, 86
IPRK2525	84, 85, 86
IPRK2921	84, 85, 86
IPRK2929	84, 85, 86
IPRK3721	84, 85, 86
IPRK3725	84, 85, 86
IPRK3729	84, 85, 86
IPRK4521	84, 85, 86
IPRK4529	84, 85, 86
IPRK6121	84, 86
IPRK6129	84, 86
IPRK6921	84, 86
IPRK6929	84, 86
IPRK7721	84, 86
IPRK7729	84, 86
IPRU11	88
IPRU11/800	88
IPRU15	88
IPRU15/800	88
IPRU24	88
IPRU24/800	88
IPRU32	88
IPRU32/800	88
IPRU38	88
IPRU38/800	88
IPRU42	88
IPRU42/800	88
IPSH211	87
IPSH212	87
IPSH214	87
IPSH215	87
IPSH216	87
IPSH254	87
IPSH292	87
IPSH294	87
IPSH295	87
IPSH296	87
IPTO	88
IPTO616	90
IPTPO616/S	90
IPUV	88

PART NUMBER	PAGE
IPVH12	82
IPVH12/LG	82
IPVH12/S	82
IPVH12/SRO	82
IPVH25	82
IPVH25/LG	82
IPVH25/S	82
IPVH25/SRO	82
IPVH35	82
IPVH35/LG	82
IPVH35/S	82
IPVH35/SRO	82
IPVK	31, 43, 67, 81, 82
IPVK/A	81
IPVK/LG	29, 81
IPVK/RO	31, 81
IPVK/S	33, 45, 47, 48, 67, 81, 82
IPVK16	31, 43, 81
IPVK16/A	81
IPVK16/S	33, 45, 47, 48, 81
IPWF06	90
IPWF08	90
IPWG06	90
IPWG08	90
IPWM	85
IPWM/A	85
IPWM/S	85
IPWS06	90
IPWS08	90
IPWSP06	90
IPWSP08	90
IPZRLG	90
LB100840/S	64, 65
LB101040/S	64, 65
LB101440/S	64, 65
LBLPC/020315	65
LBLPC/020615	65
LBSMP1040	65
LCH40	89
LCH60	89
LCH78	89
LEB/12	43, 45, 86
LKIN8T	34, 73, 91
LKINS3P	34, 73, 91
LKINS3P/S	34, 73, 91
LKINS8S	34, 73, 91
LKINS8S/S	34, 73, 91
LKINS8SS/S	34, 73, 91
LKINS8T/S	34, 73, 91
ME06043	52, 53
ME06043/RO	52, 53
ME06063	52, 53
ME06063/RO	52, 53
ME08063	52, 53

Product Index



PART NUMBER	PAGE
ME08063/RO	52, 53
ME08083	52, 53
ME08083/RO	52, 53
ME10083	52, 53
ME10083/RO	52, 53
ME10103	52, 53
ME10103/RO	52, 53
ME12083	52, 53
ME12083/RO	52, 53
MEB/S	31, 33, 37, 39, 85
MF2/S	31, 33
MF3/S	31, 33
MF4/S	31, 33
MF5/S	31, 33
MF6/S	31, 33
MF8/S	31, 33
NI/H	31, 33, 47
NI020	34, 72, 73
NI020/DC	34, 72
NI020/PS	34, 72, 73
NI020/S	34, 72, 73
NI028/S	34, 72
NI028S/S	72
NI030	34, 72
NI03021	30, 31
NI03021/RO	30, 31
NI03021/S	32, 33
NI03031	30, 31
NI03031/RO	30, 31
NI03031/S	32, 33
NI03041	30, 31
NI03041/RO	30, 31
NI03041/S	32, 33
NI03042	30, 31
NI03042/RO	30, 31
NI03042/S	32, 33
NI040	34, 72
NI04031/S	32, 33
NI04032	30, 31
NI04032/RO	30, 31
NI04032/S	32, 33
NI04042	30, 31
NI04042/RO	30, 31
NI04042/S	32, 33
NI04043	30, 31
NI04043/RO	30, 31
NI04043/S	32, 33
NI04062	30, 31
NI04062/RO	30, 31
NI04062/S	32, 33
NI04063	30, 31
NI04063/RO	30, 31
NI04063/S	32, 33
NI050	34, 72

PART NUMBER	PAGE
NI05042	30, 31
NI05042/RO	30, 31
NI05042/S	32, 33
NI05052	30, 31
NI05052/RO	30, 31
NI05052/S	32, 33
NI052	34, 72
NI052/S	34, 72
NI06042	30, 31
NI06042/RO	30, 31
NI06042/S	32, 33
NI06043	30, 31
NI06043/RO	30, 31
NI06043/S	32, 33
NI06062	30, 31
NI06062/RO	30, 31
NI06062/S	32, 33
NI06063	30, 31
NI06063/RO	30, 31
NI06063/S	32, 33
NI08062	30, 31
NI08062/RO	30, 31
NI08062/S	32, 33
NI08063	30, 31
NI08063/RO	30, 31
NI08063/S	32, 33
NI08083	30, 31
NI08083/RO	30, 31
NI08083/S	32, 33
NI10062	30, 31
NI10062/RO	30, 31
NI10062/S	32, 33
NI10063	30, 31
NI10063/RO	30, 31
NI10063/S	32, 33
NI10082/S	32, 33
NI10083	30, 31
NI10083/RO	30, 31
NI10083/S	32, 33
NI111	34, 72
NI12083	30, 31
NI12083/RO	30, 31
NI12083/S	32, 33
NIRH021	31
NIRH021/S	33
NIRH031	31
NIRH031/S	33
NIRH032	31
NIRH032/S	33
NIRH041	31
NIRH041/S	33
NIRH042	31
NIRH042/S	33
NIRH043	31

PART NUMBER	PAGE
NIRH043/S	33
NIRH052	31
NIRH052/S	33
NIRH062	31
NIRH062/S	33
NIRH063	31
NIRH063/S	33
NIRH082	31
NIRH082/S	33
NIRH083	31
NIRH083/S	33
PB0350	66, 67
PB0350/S	66, 67
PB0750	66, 67
PB0750/S	66, 67
PB0860	66, 67
PB0860/S	66, 67
PB0970	66, 67
PB0970/S	66, 67
PB1200	66, 67
PB1200/S	66, 67
PB1400	66, 67
PB1400/S	66, 67
PB1600	66, 67
PB1600/S	66, 67
PBBM062	67
PBDRK1	67
PBEMB	67
PBEMB/S	67
PBEMR1	67
PBEMR2	67
PBEMR3	67
PBEMR4	67
PBEMR5	67
PBEMR6	67
PBFE0350D	67
PBFBK0350	67
PBFBK0750	67
PBFBK0860	67
PBFBK0970	67
PBFBK1200	67
PBFBK1400	67
PBFBK1600	67
PBGA062/6	67
PBGB062/3	67
PBGP062	67
PBGS062	67
PBHE0350	67
PBRH062	67
PBRH062/S	67
PC131313	18, 19
PC131313T	18, 19
PC181313	18, 19
PC181313T	18, 19

PART NUMBER	PAGE
PC181813	18, 19
PC181813T	18, 19
PC271313	18, 19
PC271313T	18, 19
PC271817	18, 19
PC271817T	18, 19
PC272717	18, 19
PC272717T	18, 19
PC361817	18, 19
PC361817T	18, 19
PC362717	18, 19
PC362717T	18, 19
PC362720	18, 19
PC362720T	18, 19
PC363617	18, 19
PC363617T	18, 19
PC363620	18, 19
PC363620T	18, 19
PC542717	18, 19
PC542717T	18, 19
PC542720	18, 19
PC542720T	18, 19
PC543617	18, 19
PC543617T	18, 19
PC543620	18, 19
PC543620T	18, 19
PC545417	18, 19
PC545417T	18, 19
PC545420	18, 19
PC545420T	18, 19
PC723620	18, 19
PC723620T	18, 19
PC725420	18, 19
PC725420T	18, 19
PCBB1813	19
PCBB1818	19
PCBB2718	19
PCBB2727	19
PCBB2736	19
PCBB3636	19
PCBB5427	19
PCBB5436	19
PCBB5454	19
PCBB7254	19
PCEH	19
PCFD5427	19
PCFD5436	19
PCFD5454	19
PCHW10	19
PCHW10H	19
PCHW12H	19
PCHW24	19
PCHW36	19
PCHW4	19

Product Index

PART NUMBER	PAGE	PART NUMBER	PAGE	PART NUMBER	PAGE	PART NUMBER	PAGE
PCHW4H	19	PJ110706T	14, 15	PM/WMB	21	PN5040/I	23
PCHW6	19	PJ1111/M	15	PM2718	21	PN5040/M	23
PCHW6H	19	PJ111106	14, 15	PM2718/I	21	PN504020	22, 23
PCHW8	19	PJ111111	14, 15	PM2718/M	21	PN504020T	22, 23
PCHW8H	19	PJ111111T	14, 15	PM2718/S	21	PN5343/HE	23
PCIH	19	PJ1511/M	15	PM2718/T	21	PN5343/I	23
PCSD18	19	PJ151107	14, 15	PM2727	21	PN5343/M	23
PCVV	19	PJ151107T	14, 15	PM2727/M	21	PN534320	22, 23
PD/LB	27	PJ151110	14, 15	PM2727/S	21	PN534320T	22, 23
PD/LCK	27	PJ151110T	14, 15	PM2727/T	21	PN6050/HE	23
PD/LCK8T	27	PJ151115	14, 15	PM3627	21	PN6050/I	23
PD/LCKDI3	27	PJ151115T	14, 15	PM3627/I	21	PN6050/M	23
PD/LCKS8	27	PJ1515/M	15	PM3627/M	21	PN605025	22, 23
PD/RLT	27	PJ151507	14, 15	PM3627/S	21	PN605025T	22, 23
PD/WMB	27	PJ151507T	14, 15	PM3627/T	21	PN7050/HE	23
PD3530/D24	27	PJ151510	14, 15	PM5427	21	PN7050/I	23
PD3530/HE	27	PJ151510T	14, 15	PM5427/I	21	PN7050/M	23
PD3530/I	27	PJ151515	14, 15	PM5427/M	21	PN705025	22, 23
PD3530/M	27	PJ151515T	14, 15	PM5427/S	21	PN705025T	22, 23
PD353015	26, 27	PJ1809/M	15	PM5427/T	21	PS060505	16, 17
PD5030/D36	27	PJ180908	14, 15	PM5436	21	PS080806	16, 17
PD5030/HE	27	PJ2215/M	15	PM5436/I	21	PS080806T	16, 17
PD5030/I	27	PJ221507	14, 15	PM5436/M	21	PS1108/I	17
PD5030/M	27	PJ221507T	14, 15	PM5436/S	21	PS110804	16, 17
PD503020	26, 27	PJ221510	14, 15	PM5436/T	21	PS110804T	16, 17
PD5040/D54	27	PJ221510T	14, 15	PN1310/I	23	PS110807	16, 17
PD5040/HE	27	PJ221515	14, 15	PN1310/M	23	PS110807T	16, 17
PD5040/I	27	PJ221515T	14, 15	PN131007	22, 23	PS1212/I	17
PD5040/M	27	PJ3022/M	15	PN131007T	22, 23	PS121207	16, 17
PD504020	26, 27	PJ302207	14, 15	PN1510/I	23	PS121207T	16, 17
PD6540/D72	27	PJ302207T	14, 15	PN1510/M	23	PS121210	16, 17
PD6540/HE	27	PJ302210	14, 15	PN151007	22, 23	PS121210T	16, 17
PD6540/I	27	PJ302210T	14, 15	PN151007T	22, 23	PS1308/I	17
PD6540/M	27	PJ302215	14, 15	PN1515/M	23	PS130808	16, 17
PD654020	26, 27	PJ302215T	14, 15	PN2010/I	23	PS130808T	16, 17
PD6550/HE	27	PM/CB1	21	PN2010/M	23	PS160805	16, 17
PD6550/I	27	PM/CB2	21	PN201007	22, 23	PS160805T	16, 17
PD6550/M	27	PM/CB3	21	PN201007T	22, 23	PS160809	16, 17
PD655025	26, 27	PM/CR2	21	PN3120/HE	23	PS160809T	16, 17
PD8060/HE	27	PM/CR3	21	PN3120/I	23	PS1712/I	17
PD8060/I	27	PM/CR5	21	PN3120/M	23	PS171207	16, 17
PD8060/M	27	PM/D2	21	PN312013	22, 23	PS171207T	16, 17
PD806030	26, 27	PM/D3	21	PN312013T	22, 23	PS171210	16, 17
PH040427/S	48, 49	PM/GS18	21	PN3625/HE	23	PS171210T	16, 17
PH060627/S	48, 49	PM/GS27	21	PN3625/I	23	PS1717/I	17
PH100827/S	48, 49	PM/GS36	21	PN3625/M	23	PS171710	16, 17
PH120827/S	48, 49	PM/HG	21	PN362515	22, 23	PS171710T	16, 17
PH160827/S	48, 49	PM/HM	21	PN362515T	22, 23	PS171712	16, 17
PJ/D11	15	PM/HS	21	PN3929/HE	23	PS171712T	16, 17
PJ/D15	15	PM/RS20	21	PN3929/M	23	PS1808/I	17
PJ/D22	15	PM/RS40	21	PN4535/I	23	PS180807	16, 17
PJ/D30	15	PM/RS60	21	PN4535/M	23	PS180807T	16, 17
PJ/WMB	15	PM/SS	21	PN453516	22, 23	PS2015/I	17
PJ110706	14, 15	PM/VP22	21	PN453516T	22, 23	PS201507	16, 17

Product Index



PART NUMBER	PAGE	PART NUMBER	PAGE	PART NUMBER	PAGE	PART NUMBER	PAGE
PS201507T	16, 17	PU806030/W3L	24, 25	SPHE0705	57, 59, 61, 63	SRIMP066	47
PS201510	16, 17	SK3	72, 91	SPHE1008	57, 59, 61, 63	SRIMP086	47
PS201510T	16, 17	SK8	34, 73, 91	SPLKB05	57, 59, 61, 63, 93	SRIMP106	47
PS201513	16, 17	SKU	34, 72, 73, 91	SPSK040425	57	SRSGP/1	47
PS201513T	16, 17	SKZ	34, 72, 73, 91	SPSK040425/S	59	SRSGP/2	47
PS2020/I	17	SMB1/1	68	SPSK040425/SRO	59	SRSGP/3	47
PS202009	16, 17	SMB1/15	68	SPSK070522	57	TE1108	36, 37
PS202009T	16, 17	SMB1/15/S	68	SPSK070522/S	59	TE1108/S	38, 39
PS202013	16, 17	SMB1/40	68	SPSK070522/SRO	59	TE1108MF/S	40, 41
PS202013T	16, 17	SP/H/S	57, 59, 61, 63	SPSK070535	57	TE2212	36, 37
PS2508/I	17	SP/LCK	72	SPSK070535/S	59	TE2212/S	38, 39
PS250808	16, 17	SP/LCK/DC	72	SPSK070535/SRO	59	TE2212MF/S	40, 41
PS250808T	16, 17	SP/LCK/S	72	SPSK100822	57	TE3112	36, 37
PS2515/I	17	SP040425	56, 57	SPSK100822/S	59	TE3112/S	38, 39
PS251510	16, 17	SP040425/S	58, 59	SPSK100822/SRO	59	TE3112MF/S	40, 41
PS251510T	16, 17	SP040425/S/SK	62, 63	SPSK100840	57	TE3212	36, 37
PS251513	16, 17	SP040425/SK	60, 61	SPSK100840/S	59	TE3212/S	38, 39
PS251513T	16, 17	SP040425/SRO	58, 59	SPSK100840/SRO	59	TE3212MF/S	40, 41
PS2517/I	17	SP040425/SRO/SK	62, 63	SR03021/S	46, 47	TE4212	36, 37
PS251707	16, 17	SP070522	56, 57	SR03021/SRO	46, 47	TE4212/S	38, 39
PS251707T	16, 17	SP070522/S	58, 59	SR03042/S	46, 47	TE4212MF/S	40, 41
PS251710	16, 17	SP070522/S/SK	62, 63	SR03042/SRO	46, 47	TE6212	36, 37
PS251710T	16, 17	SP070522/SK	60, 61	SR04031/S	46, 47	TE6212/S	38, 39
PU/LCK	25	SP070522/SRO	58, 59	SR04031/SRO	46, 47	TE6212MF/S	40, 41
PU/LCK8T	25	SP070522/SRO/SK	62, 63	SR04042/S	46, 47	TED1	37, 39, 41
PU/LCKS8	25	SP070535	56, 57	SR04042/SRO	46, 47	TED2	37, 39, 41
PU/PL	25	SP070535/S	58, 59	SR04062/S	46, 47	TED3	37, 39, 41
PU/SDP200	25	SP070535/S/SK	62, 63	SR04062/SRO	46, 47	TED4	37, 39, 41
PU/SDP230	25	SP070535/SK	60, 61	SR04063/S	46, 47	TED6	37, 39, 41
PU/SDP300	25	SP070535/SRO	58, 59	SR04063/SRO	46, 47	TEMP11	37, 39, 41
PU/WMB	25	SP070535/SRO/SK	62, 63	SR06042/S	46, 47	TEMP22	37, 39, 41
PU3025/I	25	SP100822	56, 57	SR06042/SRO	46, 47	TEMP31	37, 39, 41
PU3025/M	25	SP100822/S	58, 59	SR06063/S	46, 47	TEMP32	37, 39, 41
PU302514	24, 25	SP100822/S/SK	62, 63	SR06063/SRO	46, 47	TEMP42	37, 39, 41
PU302514/W	24, 25	SP100822/SK	60, 61	SR08062/S	46, 47	TEMP62	37, 39, 41
PU4030/I	25	SP100822/SRO	58, 59	SR08062/SRO	46, 47	TUP/P20	31, 37, 43, 90
PU4030/M	25	SP100822/SRO/SK	62, 63	SR08063/S	46, 47	TUP/P24	31, 47
PU403020/3L	24, 25	SP100840	56, 57	SR08063/SRO	46, 47	TUP/P29	29, 90
PU403020/W3L	24, 25	SP100840/S	58, 59	SR10062/S	46, 47	TX-AADFM12	109, 123
PU5040/I	25	SP100840/S/SK	62, 63	SR10062/SRO	46, 47	TX-AADFM30	109
PU5040/M	25	SP100840/SK	60, 61	SRAGP6/1	47	TX-AADFP12	109, 124
PU504020/3L	24, 25	SP100840/SRO	58, 59	SRAGP6/2	31, 47	TX-AAFFP30	109, 124
PU504020/W3L	24, 25	SP100840/SRO/SK	62, 63	SRAGP6/3	31, 47	TX-AAEFM04	105, 107, 123
PU6040/I	25	SPGA32/6	57, 59, 61, 63	SRBGP3/1	47	TX-AAEFM06	105, 107, 123
PU6040/M	25	SPGA41/6	57, 59, 61, 63	SRBGP3/2	31, 47	TX-AAEFM10	105, 107, 123
PU604023/3L	24, 25	SPGA43/6	57, 59, 61, 63	SRBGP3/3	31, 47	TX-AAEFP04	105, 107, 124
PU604023/W3L	24, 25	SPGA71/6	57, 59, 61, 63	SRBGP6/1	47	TX-AAEFP06	105, 107, 124
PU6050/I	25	SPGA72/6	57, 59, 61, 63	SRBGP6/2	31, 47	TX-AAEFP10	105, 107, 124
PU6050/M	25	SPGB32/6	57, 59, 61, 63	SRBGP6/3	31, 47	TX-AAFFH12	114, 123
PU605023/3L	24, 25	SPGB41/6	57, 59, 61, 63	SRIMP032	47	TX-AAFFH25	114, 123
PU605023/W3L	24, 25	SPGB43/6	57, 59, 61, 63	SRIMP034	47	TX-AAFFH35	114, 116, 123
PU8060/I	25	SPGB71/6	57, 59, 61, 63	SRIMP044	47	TX-AAFFN12	114, 123
PU8060/M	25	SPGB72/6	57, 59, 61, 63	SRIMP046	47	TX-AAFFN25	114, 123
PU806030/3L	24, 25	SPHE0404	57, 59, 61, 63	SRIMP064	47	TX-AAFFN35	114, 116, 123

Product Index

PART NUMBER	PAGE
TX-AAFTO12	120, 122
TX-AAWFT10	123
TX-AAWHS10	118, 120, 124
TX-AAWTC10	112, 118, 120, 122
TX-AAWTS10	112, 120, 122
TX-BIT25BX0A	111
TX-BLU10BX0A	111
TX-BLU18BX0A	111
TX-BLU25BX0A	111
TX-BLU35BX0A	111
TX-BLU45BX0A	111
TX-BLU60BX0A	111
TX-C15000119	111
TX-C15000163	105, 107, 124
TX-C15000164	105, 107, 123
TX-C15000171	109, 124
TX-C15000172	109, 123
TX-C15000173	109, 124
TX-C15000174	109, 123
TX-C15000175	105, 107
TX-C15000176	105, 107
TX-C15000183	105, 107
TX-C15000185	105, 107
TX-C15000188	105, 107
TX-C15000189	105, 107
TX-C15002497	107
TX-C15002900	107
TX-C16000002	111, 122
TX-C16000140	111
TX-C16000259	106, 108, 124
TX-C16000385	122
TX-C16000386	122
TX-C16000387	122
TX-DEK04BT0A	108, 109
TX-DEK08BT0A	108, 109
TX-DEK12BT0A	108, 109
TX-DEK15BT0A	108, 109
TX-DEK20BT0A	108, 109
TX-DEK20LT0A	108, 109
TX-DEK30BT0A	108, 109
TX-DEK30LT0A	108, 109
TX-DEK40BT0A	108, 109
TX-DEK40LT0A	108, 109
TX-DLK19BX0A	116, 117
TX-DLK22BX0A	116, 117
TX-DLK42BX0A	116, 117
TX-DLK45BX0A	116, 117
TX-DLK48BX0A	116, 117
TX-DLR19XX0A	116, 117
TX-EGO04BM1A	106, 107
TX-EGO06BM1A	106, 107
TX-EGO08BM1A	106, 107
TX-EGO10BM1A	106, 107
TX-EGO12BM1A	106, 107

PART NUMBER	PAGE
TX-EGO16BM1A	106, 107
TX-EGO20BM1A	106, 107
TX-EGO20LM1A	106, 107
TX-EGO30BM1A	106, 107
TX-EGO30LM1A	106, 107
TX-EGO40BM1A	106, 107
TX-EGO40LM1A	106, 107
TX-EGO60MTEA	106, 107
TX-EGO80MTEA	106, 107
TX-EGO A0MTEA	106, 107
TX-EGO A5MTEA	106, 107
TX-EMO04BM1A	104, 105
TX-EMO06BM1A	104, 105
TX-EMO08BM1A	104, 105
TX-EMO10BM1A	104, 105
TX-EMO12BM1A	104, 105
TX-EMO16BM1A	104, 105
TX-EMO20BM1A	104, 105
TX-EMO20LM1A	104, 105
TX-EMO30BM1A	104, 105
TX-EMO30LM1A	104, 105
TX-EMO40BM1A	104, 105
TX-EMO40LM1A	104, 105
TX-EMO60MMEA	104, 105
TX-EMO80MMEA	104, 105
TX-EMO A0MMEA	104, 105
TX-FAN12BN0A	114, 115
TX-FAN12BN0B	114, 115
TX-FAN12UN0A	114, 115
TX-FAN12UN0B	114, 115
TX-FAN12VN0A	114, 115
TX-FAN23BN0A	114, 115
TX-FAN23UN0A	114, 115
TX-FAN23VN0A	114, 115
TX-FAN25BN0A	114, 115
TX-FAN25BN0B	114, 115
TX-FAN25UN0A	114, 115
TX-FAN25UN0B	114, 115
TX-FAN25VN0A	114, 115
TX-FAN35BN0A	114, 115
TX-FAN35BN0B	114, 115
TX-FAN35LN0A	114, 115
TX-FIL12XN0A	114
TX-FIL12XN0B	114
TX-FIL25XN0A	114
TX-FIL25XN0B	114
TX-FIL35XN0A	114, 116
TX-FIL35XN0B	114
TX-MIX22BX0A	112, 113
TX-MIX36BX0A	112, 113
TX-MIX80BX0A	112, 113
TX-WID01ZX0X	120, 121
TX-WID02ZX0X	120, 121
TX-WID03ZX0X	120, 121

PART NUMBER	PAGE
TX-WID05ZX0P	120, 121
TX-WID05ZX0X	120, 121
TX-WID05ZXOP	118
TX-WID10BLOC	118
TX-WID10ZX0P	120, 121
TX-WID10ZX0X	120, 121
TX-WID15BLOC	118
TX-WID15ZX0P	120, 121
TX-WID15ZX0X	120, 121
TX-WID20BLOC	120, 121
TX-WID30BLOC	120, 121
TX-WID35BLOT	120, 121
TX-WID40BLOC	120, 121
TX-WID55BLOT	120, 121
UV1	88
UV19	88

AUSTRALIA

Sales
T: 1300 Enclosures (1300 362 567)
E: sales@brenclosures.com.au
brenclosures.com.au

QUEENSLAND

Brisbane Manufacturing, Sales & Warehouse
51 Stradbroke Street
Heathwood QLD 4110
(PO Box 1151)
Browns Plains BC QLD 4118
T: +61 7 3714 1111
E: salesqld@brenclosures.com.au

NORTH QUEENSLAND

Townsville Sales & Warehouse
Unit 4/ 780 Ingham Road
Mount Louisa, QLD 4814
(PO Box 7615)
Garbutt QLD 4814
T: +61 7 4727 1900
E: salestvl@brenclosures.com.au

NEW SOUTH WALES

NSW & ACT Sales & Warehouse
7 Metters Place
Wetherill Park NSW 2164
T: +61 2 9915 9555
E: salesnsw@brenclosures.com.au

NEWCASTLE Distribution
Ross Joice Agencies Pty Ltd
109-111 Broadmeadow Road
Broadmeadow NSW 2292
T: +61 2 4961 4433

VICTORIA

VIC & TAS Sales & Warehouse
50-52 Sunmore Close
Heatherton VIC 3202
T: +61 3 9552 0552
E: salesvic@brenclosures.com.au

TASMANIA Distribution
W P Martin Pty Ltd
85 Elizabeth Street
Launceston TAS 7250
T: +61 3 6331 5545

SOUTH AUSTRALIA

SA & NT Manufacturing, Sales & Warehouse
505 Grand Junction Road
Wingfield SA 5013
T: +61 8 8417 6222
E: salessa@brenclosures.com.au

NORTHERN TERRITORY Distribution
Jewell Distributors Pty Ltd
Cnr Hidden Valley & Beaton Roads
Berrimah NT 0828
T: +61 8 8947 0870

WESTERN AUSTRALIA

WA Sales Office & Warehouse
6 Montgomery Way
Malaga WA 6090
T: +61 8 6310 4777
E: saleswa@brenclosures.com.au

NEW ZEALAND

Sales
B&R Enclosures Limited
T: 0800 Enclosures (0800 362 567)
E: sales@brenclosures.co.nz
brenclosures.co.nz

AUCKLAND Distribution
Matchmaster
Unit 6103 Cryers Road
East Tamaki Auckland NZ 2013
T: +64 9 265 2097
E: sales@brenclosures.co.nz

CHRISTCHURCH Distribution
Matchmaster
17 Washbournes Road
Wigram Christchurch NZ 8042
T: +64 3 348 0659
E: sales@brenclosures.co.nz