

Surface Finish

Available Finish

Code

Hot Dip Galvanised

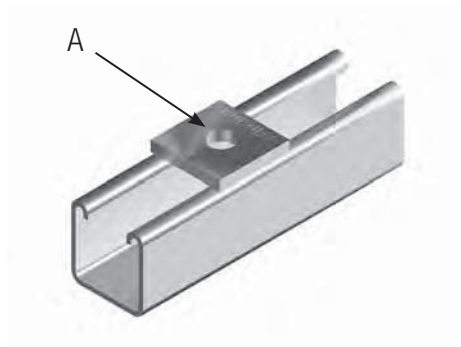
H

Stainless Steel

S

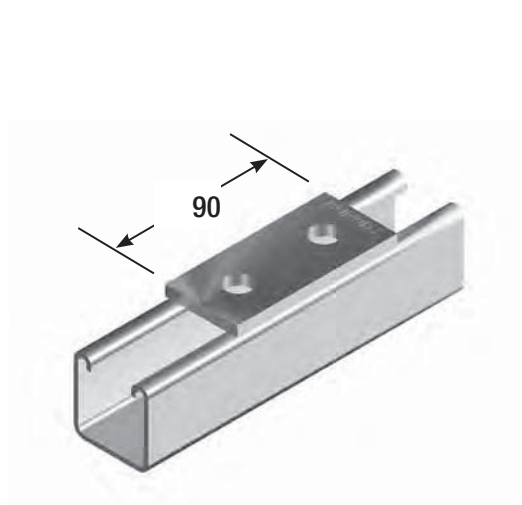
Note

- Stainless steel products are manufactured against firm orders only and are non returnable.
- Powder coating and special finishes on request against firm orders only and are non returnable.



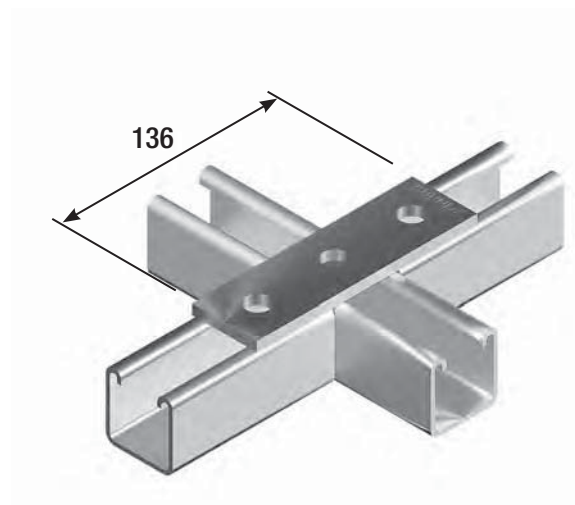
Ordering Code	A	Wt/kg
B1062	M8	0.071
B1063	M10	0.065
B1064	M12	0.064
B1964	M16	0.064

B1062 to B1964



B1065

▶ Wt 0.16 kg



B1066

▶ Wt 0.24 kg

CHANNELS

1

NUTS & BOLTS

2

CANTILEVER BRACKETS

3

CHANNEL FITTINGS

4

LADDERTRAYS

5

CABLE MESH

6

STEEL LADDERS

7

ALUMINIUM LADDERS

8

FIRE RATED

9

COVERS

10

HYGROUND

11