

Surface Finish

Available Finish

Code

Hot Dip Galvanised

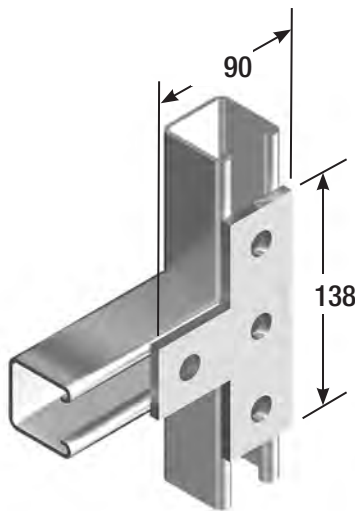
H

Stainless Steel

S

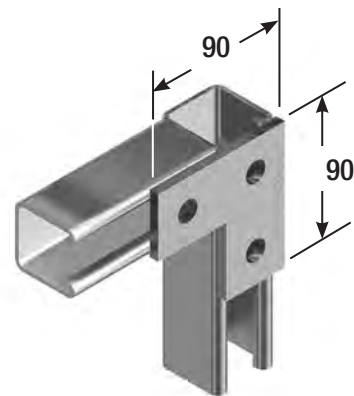
Note

- Stainless steel products are manufactured against firm orders only and are non returnable.
- Powder coating and special finishes on request against firm orders only and are non returnable.



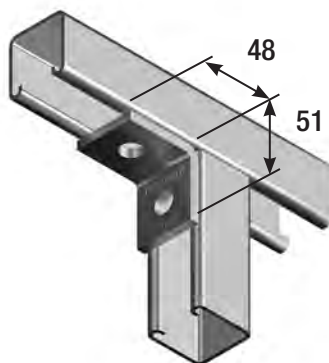
B1031

▶ Wt 0.34 kg



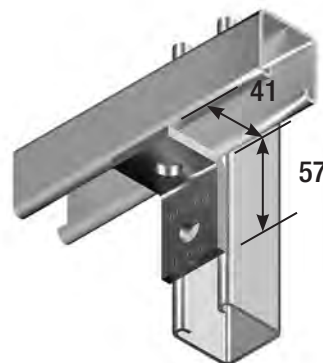
B1036

▶ Wt 0.25 kg



B1026

▶ Wt 0.17 kg



B1068

▶ Wt 0.17 kg

CHANNELS

1

NUTS & BOLTS

2

CANTILEVER BRACKETS

3

CHANNEL FITTINGS

4

LADDERTRAYS

5

CABLE MESH

6

STEEL LADDERS

7

ALUMINIUM LADDERS

8

FIRE RATED

9

COVERS

10

HYGROUND

11