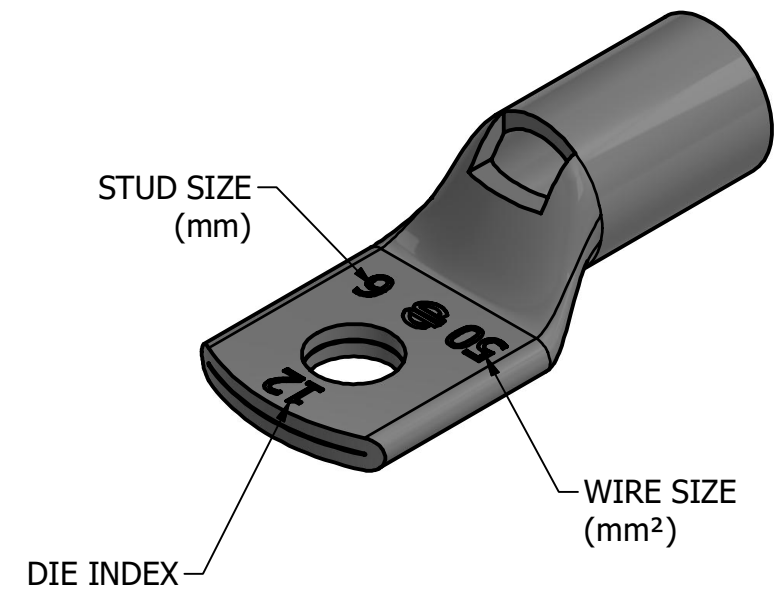
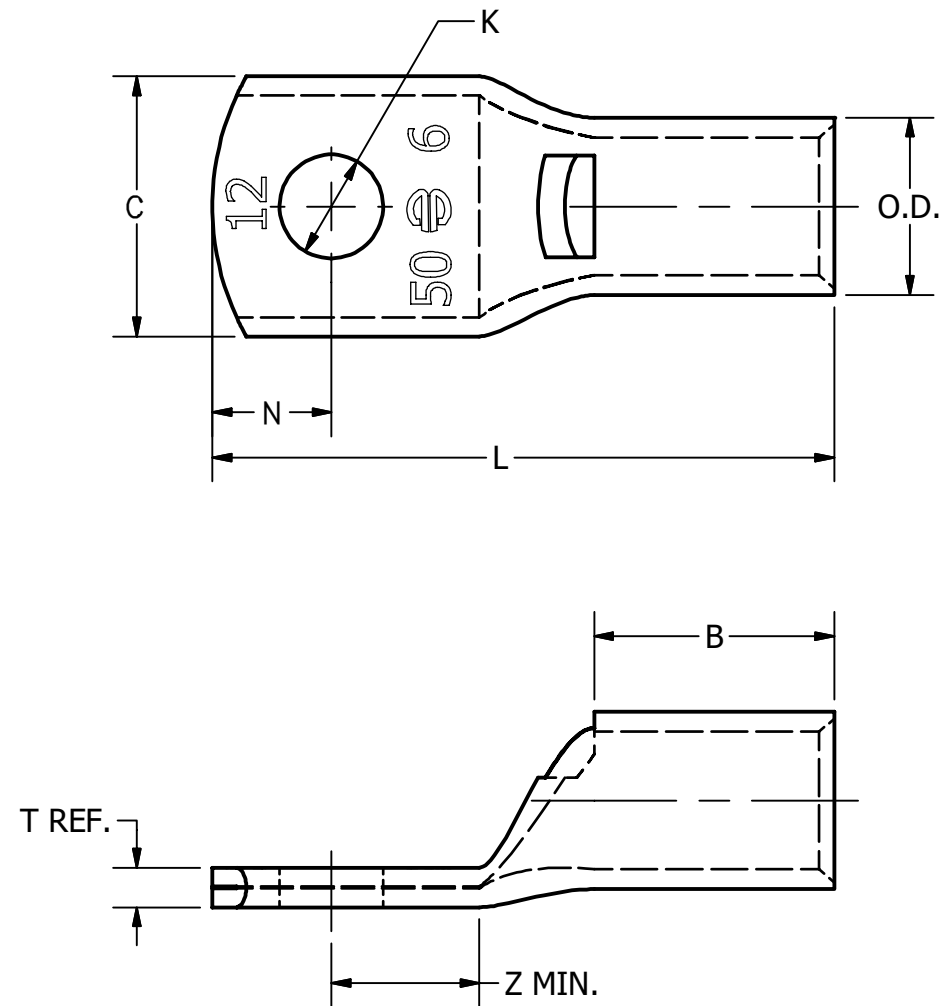


REV	DATE	DESCRIPTION	ECO	BY	C'H'K.
L	11/09/21	UPDATED PRODUCT TABLES	211104014086	JL	RR



NOTES:

1. MATERIAL: COPPER TUBING.
2. FINISH: TIN PLATED.
3. DIMENSIONS IN BRACKETS [] ARE IN INCHES ROUNDED OFF TO THE NEAREST HUNDRETH, UNLESS OTHERWISE NOTED, AND ARE FOR REFERENCE ONLY.
4. CONNECTORS ARE COMPATIBLE WITH THE FOLLOWING STANDARDS:
IEC-61238-1, UL486A/B (USA), CSA-C22.2 No 65-03 (CANADA)
5. CATALOG # PUDAP-1 ADAPTOR IS REQUIRED TO USE 'U' DIES IN Y46 SERIES TOOLS.
6. USE THE EQUIVALENT AWG SETTING ON TOOL FOR INSTALLATION.
7. FOR SILVER PLATING, ADD -SV TO END OF CATALOG NUMBER.

TO ORDER BURNDY® PRODUCTS CALL		HYLUG™	
UNITED STATES 1-800-346-4175 (LONDONDERRY, NH)		ITEM NO: --	
CANADA: 1-800-387-6487		CAT. NO: SEE TABLE	
FOR PRODUCT INFO: http://www.burndy.com		DRAWN BY: B.PARTHIBAN 05/21/2013	
		CHECKER: R.ROMAN 06/04/2013	
		DSN APRVL: R.ROMAN 06/04/2013	
		MFG APRVL: --	
		QA APRVL: T.WATTS 06/04/2013	
		MKT APRVL: J.SYLVIA 06/03/2013	
		PROJ #:	
		SIZE	
		B	
		DRAWING NO	
		50025521	
		REV	
		L	
		SHEET 1 OF 5	




CATALOG NUMBER	COPPER			DIMENSIONS								DIE INDEX	INSTALLATION TOOLING (# OF CRIMPS)				WIRE STRIP LENGTH (mm)	
	SIZE mm ² (AWG)	CLASS	BOLT SIZE	B	C	K	L	N	O.D.	T REF.	Z MIN.		MECHANICAL		HYDRAULIC			DIELESS (# OF CRIMPS)
													MD6, OUR840, MD7-34R	PAT600, Y500CTHS	Y35, Y39, Y750, Y46, PAT750	6		
YAV025M3	1.5 - 2.5 (20 - 14)	2, 5	M3	6.7 [.27]	7.9 [.31]	3.8 [.15]	19.1 [.75]	4.0 [.16]	4.1 [.16]	1.0 [.04]	6.1 [.24]	--	--	--	--	--	Y10D (1) Y10-22 (1) MR8G98 (1) MR8-9Q (1) Y8MRB-1 (1) MR20 (1)	7
YAV025M4	1.5 - 2.5 (20 - 14)	2, 5	M4	6.7 [.27]	7.9 [.31]	4.3 [.17]	19.1 [.75]	4.0 [.16]	4.1 [.16]	1.0 [.04]	6.1 [.24]	--	--	--	--	--	Y10D (1) Y10-22 (1) MR8G98 (1) MR8-9Q (1) Y8MRB-1 (1) MR20 (1)	7
YAV025M5	1.5 - 2.5 (20 - 14)	2, 5	M5	6.7 [.27]	7.9 [.31]	5.3 [.21]	19.1 [.75]	4.0 [.16]	4.1 [.16]	1.0 [.04]	6.1 [.24]	--	--	--	--	--	Y10D (1) Y10-22 (1) MR8G98 (1) MR8-9Q (1) Y8MRB-1 (1) MR20 (1)	7
YAV025M6	1.5 - 2.5 (20 - 14)	2, 5	M6	6.7 [.27]	10.7 [.42]	6.9 [.27]	24.2 [.95]	6.4 [.25]	4.1 [.16]	.8 [.03]	8.1 [.32]	--	--	--	--	--	Y10D (1) Y10-22 (1) MR8G98 (1) MR8-9Q (1) Y8MRB-1 (1) MR20 (1)	7
YAV025M8	1.5 - 2.5 (20 - 14)	2, 5	M8	6.7 [.27]	11.0 [.44]	8.4 [.33]	24.2 [.95]	6.4 [.25]	4.1 [.16]	.8 [.03]	8.1 [.32]	--	--	--	--	--	Y10D (1) Y10-22 (1) MR8G98 (1) MR8-9Q (1) Y8MRB-1 (1) MR20 (1)	7
YAV06M35	4 - 6 (12 - 10)	2, 5	M3.5	10.5 [.41]	7.6 [.30]	3.8 [.15]	23.7 [.90]	4.0 [.16]	5.3 [.21]	1.8 [.07]	6.1 [.24]	--	--	--	--	--	Y10D (1) Y10-22 (1) MR8G98 (1) MR8-9Q (1) Y8MRB-1 (1) MR20 (1)	11
YAV06M4	4 - 6 (12 - 10)	2, 5	M4	10.4 [.41]	9.5 [.38]	4.3 [.17]	23.9 [.94]	4.8 [.19]	5.3 [.21]	1.5 [.06]	6.5 [.26]	--	--	--	--	--	Y10D (1) Y10-22 (1) MR8G98 (1) MR8-9Q (1) Y8MRB-1 (1) MR20 (1)	11
YAV06M5	4 - 6 (12 - 10)	2, 5	M5	10.4 [.41]	9.5 [.38]	5.3 [.21]	23.9 [.94]	4.8 [.19]	5.3 [.21]	1.5 [.06]	6.5 [.26]	--	--	--	--	--	Y10D (1) Y10-22 (1) MR8G98 (1) MR8-9Q (1) Y8MRB-1 (1) MR20 (1)	11
YAV06M6	4 - 6 (12 - 10)	2, 5	M6	10.4 [.41]	11.9 [.47]	6.9 [.27]	26.9 [1.06]	5.8 [.23]	5.3 [.21]	1.3 [.05]	8.5 [.34]	--	--	--	--	--	Y10D (1) Y10-22 (1) MR8G98 (1) MR8-9Q (1) Y8MRB-1 (1) MR20 (1)	11
YAV06M8	4 - 6 (12 - 10)	2, 5	M8	10.4 [.41]	13.5 [.53]	8.4 [.33]	28.7 [1.13]	6.9 [.27]	5.3 [.21]	1.0 [.04]	8.5 [.34]	--	--	--	--	--	Y10D (1) Y10-22 (1) MR8G98 (1) MR8-9Q (1) Y8MRB-1 (1) MR20 (1)	11
YAV06M10	4 - 6 (12 - 10)	2, 5	M10	9.5 [.38]	14.2 [.56]	10.4 [.41]	31.0 [1.22]	7.1 [.28]	5.3 [.21]	1.0 [.04]	9.3 [.37]	--	--	--	--	--	Y10D (1) Y10-22 (1) MR8G98 (1) MR8-9Q (1) Y8MRB-1 (1) MR20 (1)	11
YAV10M4	10 (8)	2, 5	M4	11.2 [.44]	10.4 [.41]	4.3 [.17]	29.1 [1.14]	5.1 [.20]	6.9 [.27]	2.0 [.08]	7.1 [.28]	49	W8CVT (1) W8CRT (1) X8CRT (1)	W8CVT (1) W8CRT (1) X8CRT (1)	U8CRT (1)	Y1MRTC (1) MY29-11 (1) MRC840 (1) Y81KFT (1) PAT81KFT (1)	11	
YAV10M5	10 (8)	2, 5	M5	11.2 [.44]	10.4 [.41]	5.3 [.21]	28.5 [1.12]	5.1 [.20]	6.9 [.27]	1.8 [.07]	6.4 [.25]	49	W8CVT (1) W8CRT (1) X8CRT (1)	W8CVT (1) W8CRT (1) X8CRT (1)	U8CRT (1)	Y1MRTC (1) MY29-11 (1) MRC840 (1) Y81KFT (1) PAT81KFT (1)	11	
YAV10M6	10 (8)	2, 5	M6	11.2 [.44]	12.0 [.46]	6.9 [.27]	31 [1.22]	5.8 [.23]	6.9 [.27]	1.8 [.07]	8.4 [.33]	49	W8CVT (1) W8CRT (1) X8CRT (1)	W8CVT (1) W8CRT (1) X8CRT (1)	U8CRT (1)	Y1MRTC (1) MY29-11 (1) MRC840 (1) Y81KFT (1) PAT81KFT (1)	11	
YAV10M8	10 (8)	2, 5	M8	11.2 [.44]	13.2 [.52]	8.4 [.33]	33 [1.29]	7.2 [.28]	6.9 [.27]	1.5 [.06]	8.9 [.35]	49	W8CVT (1) W8CRT (1) X8CRT (1)	W8CVT (1) W8CRT (1) X8CRT (1)	U8CRT (1)	Y1MRTC (1) MY29-11 (1) MRC840 (1) Y81KFT (1) PAT81KFT (1)	11	
YAV10M10	10 (8)	2, 5	M10	11.2 [.44]	14.5 [.57]	10.4 [.41]	33.0 [1.3]	7.1 [.28]	6.9 [.27]	1.3 [.05]	8.6 [.34]	49	W8CVT (1) W8CRT (1) X8CRT (1)	W8CVT (1) W8CRT (1) X8CRT (1)	U8CRT (1)	Y1MRTC (1) MY29-11 (1) MRC840 (1) Y81KFT (1) PAT81KFT (1)	11	
YAV10M12	10 (8)	2, 5	M12	11.2 [.44]	18.5 [.73]	13.5 [.53]	38.6 [1.52]	9.7 [.38]	6.9 [.27]	1.3 [.05]	12.2 [.48]	49	W8CVT (1) W8CRT (1) X8CRT (1)	W8CVT (1) W8CRT (1) X8CRT (1)	U8CRT (1)	Y1MRTC (1) MY29-11 (1) MRC840 (1) Y81KFT (1) PAT81KFT (1)	11	
YAV16M4	16 (6)	2, 5	M4	12.7 [.50]	12.2 [.48]	4.6 [.18]	31.5 [1.24]	5.6 [.22]	7.9 [.31]	2.3 [.09]	7.4 [.29]	7	W5CVT (1) W5CRT (1) X5CRT (1)	W5CVT (1) W5CRT (1) X5CRT (1)	U5CRT (1)	Y1MRTC (1) MY29-11 (1) MRC840 (1) Y644 (1) PAT644 (1) Y81KFT (1) PAT81KFT (1)	13	
YAV16M5	16 (6)	2, 5	M5	12.7 [.50]	12.2 [.48]	5.3 [.21]	33.0 [1.3]	6.4 [.25]	7.9 [.31]	2.0 [.08]	7.4 [.29]	7	W5CVT (1) W5CRT (1) X5CRT (1)	W5CVT (1) W5CRT (1) X5CRT (1)	U5CRT (1)	Y1MRTC (1) MY29-11 (1) MRC840 (1) Y644 (1) PAT644 (1) Y81KFT (1) PAT81KFT (1)	13	
YAV16M6	16 (6)	2, 5	M6	12.7 [.50]	12.2 [.48]	6.9 [.27]	33.0 [1.3]	6.1 [.24]	7.9 [.31]	2.0 [.08]	7.4 [.29]	7	W5CVT (1) W5CRT (1) X5CRT (1)	W5CVT (1) W5CRT (1) X5CRT (1)	U5CRT (1)	Y1MRTC (1) MY29-11 (1) MRC840 (1) Y644 (1) PAT644 (1) Y81KFT (1) PAT81KFT (1)	13	
YAV16M8	16 (6)	2, 5	M8	12.7 [.50]	15.2 [.60]	8.4 [.33]	36.3 [1.43]	7.6 [.30]	7.9 [.31]	1.5 [.06]	9.1 [.36]	7	W5CVT (1) W5CRT (1) X5CRT (1)	W5CVT (1) W5CRT (1) X5CRT (1)	U5CRT (1)	Y1MRTC (1) MY29-11 (1) MRC840 (1) Y644 (1) PAT644 (1) Y81KFT (1) PAT81KFT (1)	13	
YAV16M10	16 (6)	2, 5	M10	12.7 [.50]	14.7 [.58]	10.4 [.41]	40.9 [1.61]	10.4 [.41]	7.9 [.31]	1.5 [.06]	9.1 [.36]	7	W5CVT (1) W5CRT (1) X5CRT (1)	W5CVT (1) W5CRT (1) X5CRT (1)	U5CRT (1)	Y1MRTC (1) MY29-11 (1) MRC840 (1) Y644 (1) PAT644 (1) Y81KFT (1) PAT81KFT (1)	13	
YAV16M12	16 (6)	2, 5	M12	12.7 [.50]	18.8 [.74]	13.2 [.52]	41.6 [1.64]	9.6 [.38]	7.9 [.31]	1.3 [.05]	12.4 [.49]	7	W5CVT (1) W5CRT (1) X5CRT (1)	W5CVT (1) W5CRT (1) X5CRT (1)	U5CRT (1)	Y1MRTC (1) MY29-11 (1) MRC840 (1) Y644 (1) PAT644 (1) Y81KFT (1) PAT81KFT (1)	13	

REV	DATE	DESCRIPTION	ECO	BY	C'H.K.
L	11/09/21	UPDATED PRODUCT TABLES	211104014086	JL	RR

CONNECTOR SIZE	TOLERANCES					
	B	C	K DIA.	L	N	O.D.
015 - 6	± .8 [.03]	± 1.0 [.04]	± .5 [.02]	± 1.5 [.06]	± .8 [.03]	± .3 [.01]
10 - 50	± 1.5 [.06]	± 1.0 [.04]	± .5 [.02]	± 2.3 [.09]	± .8 [.03]	± .3 [.01]
70 - 240	± 2.0 [.08]	± 1.0 [.04]	± .5 [.02]	± 3.0 [.12]	± .8 [.03]	± .3 [.01]
300 & ABOVE	± 2.3 [.09]	± 1.5 [.06]	± .5 [.02]	± 3.8 [.15]	± 1.5 [.06]	± .3 [.01]

NOTES:

- SEE SHEET 1 FOR NOTES.

TO ORDER BURNDY® PRODUCTS CALL		HYLUG™	
UNITED STATES 1-800-346-4175 (LONDONDERRY, NH)		ITEM NO: -- CAT. NO: SEE TABLE	
CANADA: 1-800-387-6487		DRAWN BY: B.PARTHIBAN 05/21/2013 CHECKER: R.ROMAN 06/04/2013 DSN APRVL: R.ROMAN 06/04/2013 MFG APRVL: -- QA APRVL: T.WATTS 06/04/2013 MKT APRVL: J.SYLVIA 06/03/2013	
FOR PRODUCT INFO: http://www.burndy.com			
PROJ #:		SIZE	DRAWING NO
DOCUMENT TYPE: SALES		B	50025521
REL LEVEL: Released			SHEET 2 OF 5
			REV L

CATALOG NUMBER	COPPER CONDUCTOR		BOLT SIZE	DIMENSIONS								DIE INDEX	INSTALLATION TOOLING (# OF CRIMPS)				WIRE STRIP LENGTH (mm)				
	SIZE mm ² (AWG)	CLASS		B	C	K	L	N	O.D.	T	REF.		Z	MIN.	X	MECHANICAL		HYDRAULIC		DIELESS (# OF CRIMPS) <6	
																MD6, OUR840 MD7-34R		PAT600, Y500CTHS	Y35, Y39, Y750, Y46 PAT750 <5		
YAV25M5	25 (4)	2, 5	M5	12.7 [.50]	14.0 [.55]	5.3 [.21]	33.5 [1.32]	6.4 [.25]	9.7 [.38]	2.3 [.09]	6.9 [.27]	9	W3CRT (1)	W3CRT (1)	U3CRT (1)	Y1MRTC (2) MY29-11 (1) MRC840 (1) Y644 (1) PAT644 (1) Y81KFT (1) PAT81KFT (1)	13				
YAV25M6	25 (4)	2, 5	M6	12.7 [.50]	12.7 [.50]	6.9 [.27]	34.5 [1.36]	6.4 [.25]	9.7 [.38]	2.0 [.08]	7.1 [.28]										
YAV25M8	25 (4)	2, 5	M8	12.7 [.50]	16.0 [.63]	8.4 [.33]	37.6 [1.48]	7.8 [.31]	9.7 [.38]	2.0 [.08]	8.6 [.34]										
YAV25M10	25 (4)	2, 5	M10	12.7 [.50]	14.7 [.58]	10.4 [.41]	41.4 [1.63]	10.4 [.41]	9.7 [.38]	2.0 [.08]	10.7 [.42]										
YAV25M12	25 (4)	2, 5	M12	12.7 [.50]	18.5 [.73]	13.2 [.52]	42.7 [1.68]	9.7 [.38]	9.7 [.38]	1.5 [.06]	11.9 [.47]										
YAV35M5	35 (2)	2, 5	M5	16.0 [.63]	17.3 [.68]	5.3 [.21]	38.1 [1.5]	6.4 [.25]	10.7 [.46]	2.5 [.10]	6.9 [.27]	10	W2CVT (1) W2CRT (1) X2CRT (1)	W2CVT (1) W2CRT (1) X2CRT (1)	U2CRT (1)	Y1MRTC (2) MY29-11 (1) MRC840 (1) Y644 (1) PAT644 (1) Y81KFT (1) PAT81KFT (1)	17				
YAV35M6	35 (2)	2, 5	M6	11.7 [.63]	17.3 [.68]	6.8 [.27]	43.7 [1.72]	8.6 [.34]	11.7 [.46]	2.5 [.10]	8.9 [.35]										
YAV35M8	35 (2)	2, 5	M8	11.7 [.63]	17.3 [.68]	8.4 [.33]	43.7 [1.72]	8.6 [.34]	11.7 [.46]	2.5 [.10]	8.9 [.35]										
YAV35M10	35 (2)	2, 5	M10	11.7 [.63]	17.3 [.68]	10.4 [.41]	45.9 [1.81]	10.4 [.41]	11.7 [.46]	2.5 [.10]	10.7 [.42]										
YAV35M12	35 (2)	2, 5	M12	11.7 [.63]	19.6 [.77]	13.2 [.52]	47.5 [1.87]	9.9 [.39]	11.7 [.46]	2.3 [.09]	11.9 [.47]										
YAV35M16	35 (2)	2, 5	M16	11.7 [.63]	23.6 [.93]	17.5 [.69]	62.2 [2.45]	16.8 [.66]	11.7 [.46]	3.3 [.13]	17.0 [.67]										
YAV50M5	50	2	M6	16.0 [.63]	17.3 [.68]	5.3 [.21]	38.1 [1.50]	6.4 [.25]	11.7 [.46]	2.5 [.10]	6.9 [.27]	12	W25VT (2) W25RT (2) X25RT (2)	W25VT (2) W25RT (2) X25RT (2)	U25RT (1)	MY29-11 (1) MRC840 (2) Y644 (1) PAT644 (1) Y81KFT (1) PAT81KFT (1)	17				
YAV50M6	50	2	M6	16.0 [.63]	17.3 [.68]	6.9 [.27]	38.1 [1.50]	7.9 [.31]	11.7 [.46]	2.5 [.10]	8.4 [.33]										
YAV50M8	50	2	M8	16.0 [.63]	17.3 [.68]	8.4 [.33]	42.9 [1.69]	8.6 [.34]	11.7 [.46]	2.5 [.10]	9.1 [.36]										
YAV50M10	50	2	M10	16.0 [.63]	17.3 [.68]	10.4 [.41]	45.9 [1.81]	10.4 [.41]	11.7 [.46]	2.5 [.10]	10.7 [.42]										
YAV50M12	50	2	M12	16.0 [.63]	18.5 [.73]	13.5 [.53]	52.3 [2.06]	13.5 [.53]	11.7 [.46]	2.5 [.10]	14.0 [.55]										
YAV50M14	50	2	M14	16.0 [.63]	21.1 [.83]	15.0 [.59]	53.3 [2.10]	14.0 [.55]	11.7 [.46]	3.0 [.12]	14.5 [.57]										
YAV50M16	50	2	M16	16.0 [.63]	25.9 [1.02]	17.5 [.69]	58.7 [2.31]	16.8 [.66]	11.7 [.46]	3.6 [.14]	17.0 [.67]										
YAV70M5	70 (2/0)	2	M5	17.5 [.69]	21.1 [.83]	5.3 [.21]	41.4 [1.63]	6.4 [.25]	14.2 [.56]	3.0 [.12]	6.9 [.27]	13	W26VT (2) W26RT (2) X26RT (2)	W26VT (2) W26RT (2) X26RT (2)	U26RT (1)	MY29-11 (1) MRC840 (2) Y644 (1) PAT644 (1) Y81KFT (1) PAT81KFT (1)	19				
YAV70M6	70 (2/0)	2	M6	17.5 [.69]	21.1 [.83]	6.9 [.27]	44.5 [1.75]	7.9 [.31]	14.2 [.56]	3.0 [.12]	8.4 [.33]										
YAV70M8	70 (2/0)	2	M8	17.5 [.69]	21.1 [.83]	8.4 [.33]	46.0 [1.81]	8.6 [.34]	14.2 [.56]	3.0 [.12]	9.1 [.36]										
YAV70M10	70 (2/0)	2	M10	17.5 [.69]	21.1 [.83]	10.4 [.41]	49.3 [1.94]	10.4 [.41]	14.2 [.56]	3.0 [.12]	10.7 [.42]										
YAV70M12	70 (2/0)	2	M12	17.5 [.69]	21.1 [.83]	13.5 [.53]	55.6 [2.19]	13.5 [.53]	14.2 [.56]	3.0 [.12]	14.0 [.55]										
YAV70M14	70 (2/0)	2	M14	17.5 [.69]	22.4 [.88]	15.0 [.59]	56.6 [2.23]	14.0 [.55]	14.2 [.56]	2.8 [.11]	14.5 [.57]										
YAV70M16	70 (2/0)	2	M16	17.5 [.69]	22.4 [.88]	17.5 [.69]	62.0 [2.44]	16.8 [.66]	14.2 [.56]	2.8 [.11]	17.0 [.67]										

REV	DATE	DESCRIPTION	ECO	BY	C'H'K.
L	11/09/21	UPDATED PRODUCT TABLES	211104014086	JL	RR

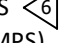
CONNECTOR SIZE	TOLERANCES					
	B	C	K DIA.	L	N	O.D.
015 - 6	± .8 [.03]	± 1.0 [.04]	± .5 [.02]	± 1.5 [.06]	± .8 [.03]	± .3 [.01]
10 - 50	± 1.5 [.06]	± 1.0 [.04]	± .5 [.02]	± 2.3 [.09]	± .8 [.03]	± .3 [.01]
70 - 240	± 2.0 [.08]	± 1.0 [.04]	± .5 [.02]	± 3.0 [.12]	± .8 [.03]	± .3 [.01]
300 & ABOVE	± 2.3 [.09]	± 1.5 [.06]	± .5 [.02]	± 3.8 [.15]	± 1.5 [.06]	± .3 [.01]

NOTES:

1. SEE SHEET 1 FOR NOTES.

TO ORDER BURNDY® PRODUCTS CALL UNITED STATES 1-800-346-4175 (LONDONDERRY, NH) CANADA: 1-800-387-6487 FOR PRODUCT INFO: http://www.burndy.com	HYLUG™	
	ITEM NO: --	
	CAT. NO: SEE TABLE	
	DRAWN BY: B.PARTHIBAN	05/21/2013
	CHECKER: R.ROMAN	06/04/2013
	DSN APRVL: R.ROMAN	06/04/2013
MFG APRVL: --		
QA APRVL: T.WATTS	06/04/2013	
MKT APRVL: J.SYLVIA	06/03/2013	
PROD FAM:	DRAWING NO	REV
PROJECT #:	SIZE	50025521
DOCUMENT TYPE: SALES	B	L
REL LEVEL: Released		SHEET 3 OF 5

CATALOG NUMBER	COPPER CONDUCTOR		BOLT SIZE	DIMENSIONS								DIE INDEX	INSTALLATION TOOLING (# OF CRIMPS)				WIRE STRIP LENGTH (mm)	REV	DATE	DESCRIPTION	ECO	BY	C'H'K.																														
	SIZE mm ² (AWG)	CLASS		B	C	K	L	N	O.D.	T REF.	Z MIN.		MECHANICAL		HYDRAULIC	DIELESS (# OF CRIMPS)		L	11/09/21	UPDATED PRODUCT TABLES	211104014086	JL	RR																														
													MD6, OUR840 MD7-34R	PAT600, Y500CTHS				Y35, Y39, Y750, Y46 PAT750	6																																		
YAV95M6	95	2	M6	20.6 [.81]	23.6 [.93]	5.3 [.21]	45.8 [1.80]	6.4 [.25]	16.0 [.63]	3.3 [.13]	6.6 [.26]	14	W27VT (2) W27RT (2) X27RT (3)	W27VT (2) W27RT (2) X27RT (3)	U27RT (1)	MY29-11 (1) MRC840 (2) Y644 (1) PAT644 (1) Y81KFT (2) PAT81KFT (2)	22	TOLERANCES																																			
YAV95M8	95	2	M8	20.6 [.81]	23.6 [.93]	8.4 [.33]	50.3 [1.98]	8.6 [.34]	16.0 [.63]	3.3 [.13]	9.1 [.36]							15	W28VT (2) W28RT (2) X28RT (2)	W28VT (2) W28RT (2) X28RT (2)	U28RT (1)	MY29-11 (1) MRC840 (2) Y644 (1) PAT644 (1) Y81KFT (2) PAT81KFT (2)	27	CONNECTOR SIZE	B	C	K DIA.	L	N	O.D.																							
YAV95M10	95	2	M10	20.6 [.81]	23.6 [.93]	10.4 [.41]	53.6 [2.11]	10.4 [.41]	16.0 [.63]	3.3 [.13]	10.7 [.42]													17	W30VT (2)	W30VT (2) W30RT (2)	U30RT (2)	Y644 (1) PAT644 (1) Y81KFT (2) PAT81KFT (2)	27	015 - 6	± .8 [.03]	± 1.0 [.04]	± .5 [.02]	± 1.5 [.06]	± .8 [.03]	± .3 [.01]																	
YAV95M12	95	2	M12	20.6 [.81]	23.6 [.93]	13.5 [.53]	59.9 [2.36]	13.5 [.53]	16.0 [.63]	3.3 [.13]	14.0 [.55]																			18	W31VT (2) W31RT (2)	U31RT (2)	Y644 (1) PAT644 (1) Y81KFT (2) PAT81KFT (2)	29	10 - 50	± 1.5 [.06]	± 1.0 [.04]	± .5 [.02]	± 2.3 [.09]	± .8 [.03]	± .3 [.01]												
YAV95M14	95	2	M14	20.6 [.81]	23.6 [.93]	15.0 [.59]	61.0 [2.40]	14.0 [.55]	16.0 [.63]	3.3 [.13]	14.5 [.57]																								18	W31VT (2) W31RT (2)	U31RT (2)	Y644 (1) PAT644 (1) Y81KFT (2) PAT81KFT (2)	29	70 - 240	± 2.0 [.08]	± 1.0 [.04]	± .5 [.02]	± 3.0 [.12]	± .8 [.03]	± .3 [.01]							
YAV95M16	95	2	M16	20.6 [.81]	23.6 [.93]	17.5 [.69]	66.3 [2.61]	16.8 [.66]	16.0 [.63]	3.3 [.13]	17.0 [.67]																													18	W31VT (2) W31RT (2)	U31RT (2)	Y644 (1) PAT644 (1) Y81KFT (2) PAT81KFT (2)	29	300 & ABOVE	± 2.3 [.09]	± 1.5 [.06]	± .5 [.02]	± 3.8 [.15]	± 1.5 [.06]	± .3 [.01]		
YAV95M20	95	2	M20	20.6 [.81]	30.5 [1.20]	23.8 [.94]	77.4 [3.05]	22.4 [.88]	16.0 [.63]	4.1 [.16]	22.6 [.89]																																		18	W31VT (2) W31RT (2)	U31RT (2)	Y644 (1) PAT644 (1) Y81KFT (2) PAT81KFT (2)	29	NOTES:			
YAV120M6	120 (4/0)	2	M6	26.2 [1.03]	29.0 [1.14]	5.3 [.21]	53.6 [2.11]	6.4 [.25]	19.6 [.77]	3.8 [.15]	6.6 [.26]	17	W30VT (2)	W30VT (2) W30RT (2)	U30RT (2)	Y644 (1) PAT644 (1) Y81KFT (2) PAT81KFT (2)	27																																	1. SEE SHEET 1 FOR NOTES.			
YAV120M8	120 (4/0)	2	M8	26.2 [1.03]	29.0 [1.14]	8.4 [.33]	58.2 [2.29]	8.6 [.34]	19.6 [.77]	3.8 [.15]	9.1 [.36]							17	W30VT (2)	W30VT (2) W30RT (2)	U30RT (2)	Y644 (1) PAT644 (1) Y81KFT (2) PAT81KFT (2)	27																											TO ORDER BURNDY® PRODUCTS CALL			
YAV120M10	120 (4/0)	2	M10	26.2 [1.03]	29.0 [1.14]	10.4 [.41]	61.5 [2.42]	10.4 [.41]	19.6 [.77]	3.8 [.15]	10.7 [.42]													17	W30VT (2)	W30VT (2) W30RT (2)	U30RT (2)	Y644 (1) PAT644 (1) Y81KFT (2) PAT81KFT (2)	27																					UNITED STATES			
YAV120M12	120 (4/0)	2	M12	26.2 [1.03]	29.0 [1.14]	13.5 [.53]	67.8 [2.67]	13.5 [.53]	19.6 [.77]	3.8 [.15]	14.0 [.55]																			17	W30VT (2)	W30VT (2) W30RT (2)	U30RT (2)	Y644 (1) PAT644 (1) Y81KFT (2) PAT81KFT (2)																27	1-800-346-4175 (LONDONDERRY, NH)		
YAV120M14	120 (4/0)	2	M14	26.2 [1.03]	29.0 [1.14]	15.0 [.59]	68.8 [2.71]	14.0 [.55]	19.6 [.77]	3.8 [.15]	14.5 [.57]																								17	W30VT (2)	W30VT (2) W30RT (2)	U30RT (2)	Y644 (1) PAT644 (1) Y81KFT (2) PAT81KFT (2)												27	CANADA:	
YAV120M16	120 (4/0)	2	M16	26.2 [1.03]	29.0 [1.14]	17.5 [.69]	74.2 [2.92]	16.8 [.66]	19.6 [.77]	3.8 [.15]	17.0 [.67]																													17	W30VT (2)	W30VT (2) W30RT (2)	U30RT (2)	Y644 (1) PAT644 (1) Y81KFT (2) PAT81KFT (2)								27	1-800-387-6487
YAV120M20	120 (4/0)	2	M20	26.2 [1.03]	29.0 [1.14]	23.8 [.86]	85.2 [3.18]	22.4 [.79]	19.6 [.77]	3.8 [.15]	22.6 [.80]																																		17	W30VT (2)	W30VT (2) W30RT (2)	U30RT (2)	Y644 (1) PAT644 (1) Y81KFT (2) PAT81KFT (2)				27
YAV150M8	150 (300)	2	M8	26.2 [1.03]	30.5 [1.20]	8.4 [.33]	58.7 [2.31]	8.6 [.34]	20.6 [.81]	4.1 [.16]	9.1 [.36]	17	W30VT (2)	W30VT (2) W30RT (2)	U30RT (2)	Y644 (1) PAT644 (1) Y81KFT (2) PAT81KFT (2)	27																																				
YAV150M10	150 (300)	2	M10	26.2 [1.03]	30.5 [1.20]	10.4 [.41]	62.0 [2.44]	10.4 [.41]	20.6 [.81]	4.1 [.16]	10.7 [.42]							17	W30VT (2)	W30VT (2) W30RT (2)	U30RT (2)	Y644 (1) PAT644 (1) Y81KFT (2) PAT81KFT (2)	27																														
YAV150M12	150 (300)	2	M12	26.2 [1.03]	30.5 [1.20]	13.5 [.53]	68.3 [2.69]	13.5 [.53]	20.6 [.81]	4.1 [.16]	14.0 [.55]													17	W30VT (2)	W30VT (2) W30RT (2)	U30RT (2)	Y644 (1) PAT644 (1) Y81KFT (2) PAT81KFT (2)	27																								
YAV150M14	150 (300)	2	M14	26.2 [1.03]	30.5 [1.20]	15.0 [.59]	69.2 [2.73]	14.0 [.55]	20.6 [.81]	4.1 [.16]	14.5 [.57]																			17	W30VT (2)	W30VT (2) W30RT (2)	U30RT (2)	Y644 (1) PAT644 (1) Y81KFT (2) PAT81KFT (2)																27			
YAV150M16	150 (300)	2	M16	26.2 [1.03]	30.5 [1.20]	17.5 [.69]	74.7 [2.94]	16.8 [.66]	20.6 [.81]	4.1 [.16]	17.0 [.67]																								17	W30VT (2)	W30VT (2) W30RT (2)	U30RT (2)	Y644 (1) PAT644 (1) Y81KFT (2) PAT81KFT (2)												27		
YAV150M20	150 (300)	2	M20	26.2 [1.03]	30.5 [1.20]	23.8 [.94]	85.7 [3.37]	22.4 [.88]	20.6 [.81]	4.1 [.16]	22.6 [.89]																													17	W30VT (2)	W30VT (2) W30RT (2)	U30RT (2)	Y644 (1) PAT644 (1) Y81KFT (2) PAT81KFT (2)								27	
YAV185M8	185 (350)	2	M8	26.9 [1.06]	32.8 [1.29]	8.4 [.33]	60.2 [2.37]	8.6 [.34]	22.4 [.88]	4.6 [.18]	9.1 [.36]																																		18	W31VT (2) W31RT (2)	U31RT (2)	Y644 (1) PAT644 (1) Y81KFT (2) PAT81KFT (2)	29				MFG APRVL: --
YAV185M10	185 (350)	2	M10	26.9 [1.06]	32.8 [1.29]	10.4 [.41]	63.5 [2.50]	10.4 [.41]	22.4 [.88]	4.3 [.17]	10.7 [.42]	18	W31VT (2) W31RT (2)	U31RT (2)	Y644 (1) PAT644 (1) Y81KFT (2) PAT81KFT (2)	29	QA APRVL: T.WATTS 06/04/2013																																				
YAV185M12	185 (350)	2	M12	26.9 [1.06]	32.8 [1.29]	13.5 [.53]	69.9 [2.75]	13.5 [.53]	22.4 [.88]	4.3 [.17]	14.0 [.55]						18	W31VT (2) W31RT (2)	U31RT (2)	Y644 (1) PAT644 (1) Y81KFT (2) PAT81KFT (2)	29	MKT APRVL: J.SYLVIA 06/03/2013																															
YAV185M14	185 (350)	2	M14	26.9 [1.06]	32.8 [1.29]	15.0 [.59]	70.8 [2.79]	14.0 [.55]	22.4 [.88]	4.6 [.18]	14.5 [.57]											18	W31VT (2) W31RT (2)	U31RT (2)	Y644 (1) PAT644 (1) Y81KFT (2) PAT81KFT (2)	29	PROJ FAM: --																										
YAV185M16	185 (350)	2	M16	26.9 [1.06]	32.8 [1.29]	17.5 [.69]	76.2 [3.0]	16.8 [.66]	22.4 [.88]	4.6 [.18]	17.0 [.67]																18	W31VT (2) W31RT (2)	U31RT (2)	Y644 (1) PAT644 (1) Y81KFT (2) PAT81KFT (2)	29	DRAWING NO: --																					
YAV185M20	185 (350)	2	M20	26.9 [1.06]	32.8 [1.29]	23.8 [.94]	87.3 [3.44]	22.4 [.88]	22.4 [.88]	4.6 [.18]	22.6 [.89]																					18	W31VT (2) W31RT (2)	U31RT (2)	Y644 (1) PAT644 (1) Y81KFT (2) PAT81KFT (2)	29	REV: --																
HULLUG™																																																					
TO ORDER BURNDY® PRODUCTS CALL																																																					
UNITED STATES																																																					
1-800-346-4175 (LONDONDERRY, NH)																																																					
CANADA:																																																					
1-800-387-6487																																																					
FOR PRODUCT INFO: http://www.burndy.com																																																					
HULLUG™																																																					
ITEM NO: --																																																					
CAT. NO: SEE TABLE																																																					
DRAWN BY: B.PARTHIBAN 05/21/2013																																																					
CHECKER: R.ROMAN 06/04/2013																																																					
DSN APRVL: R.ROMAN 06/04/2013																																																					
MFG APRVL: --																																																					
QA APRVL: T.WATTS 06/04/2013																																																					
MKT APRVL: J.SYLVIA 06/03/2013																																																					
PROJ FAM: --																																																					
DRAWING NO: --																																																					
REV: --																																																					
PROJECT #: --																																																					
DOCUMENT TYPE: SALES																																																					
REL LEVEL: Released																																																					
SIZE: B																																																					
50025521																																																					
SHEET 4 OF 5																																																					

CATALOG NUMBER	COPPER CONDUCTOR		BOLT SIZE	DIMENSIONS								DIE INDEX	INSTALLATION TOOLING (# OF CRIMPS)				WIRE STRIP LENGTH (mm)
	SIZE mm ² (AWG)	CLASS		B	C	K	L	N	O.D.	T REF.	Z MIN.		MECHANICAL	HYDRAULIC		DIELESS  (# OF CRIMPS)	
													MD6, OUR840 MD7-34R	PAT600, Y500CTHS	Y35, Y39, Y750, Y46 PAT750		
YAV240M10	240 (500)	2	M10	32.3 [1.27]	39.4 [1.55]	10.4 [41]	72.9 [2.87]	10.4 [41]	26.9 [1.06]	5.8 [23]	10.7 [42]	20	W34VT (2)	W34VT (2) W34RT (2)	U34RT (2)	Y644 (1) PAT644 (1) Y81KFT (2) PAT81KFT (2)	33
YAV240M12	240 (500)	2	M12	32.3 [1.27]	39.4 [1.55]	13.5 [53]	80.2 [3.16]	13.5 [53]	26.9 [1.06]	5.6 [22]	14.0 [55]						
YAV240M14	240 (500)	2	M14	32.3 [1.27]	39.4 [1.55]	15.0 [59]	81.3 [3.20]	14.0 [55]	26.9 [1.06]	5.8 [23]	14.5 [57]						
YAV240M16	240 (500)	2	M16	32.3 [1.27]	39.4 [1.55]	17.5 [69]	85.6 [3.37]	16.8 [66]	26.9 [1.06]	5.8 [23]	17.0 [67]						
YAV240M20	240 (500)	2	M20	32.3 [1.27]	39.4 [1.55]	23.8 [94]	96.6 [3.80]	22.4 [88]	26.9 [1.06]	5.8 [23]	22.6 [89]						
YAV300M10	300 (600)	2	M10	35.1 [1.38]	44.2 [1.74]	10.4 [41]	77.2 [3.04]	12.7 [50]	30.2 [1.19]	6.9 [27]	10.7 [42]	22	--	--	U36RT (2)	Y644 (1) PAT644 (1) Y81KFT (2) PAT81KFT (2)	35
YAV300M12	300 (600)	2	M12	35.1 [1.38]	44.2 [1.74]	13.5 [53]	83.6 [3.29]	13.5 [53]	28.5 [1.12]	6.6 [26]	14.0 [55]						
YAV300M14	300 (600)	2	M14	35.1 [1.38]	44.2 [1.74]	15.0 [59]	84.6 [3.33]	14.0 [55]	30.2 [1.19]	6.9 [27]	14.5 [57]						
YAV300M16	300 (600)	2	M16	35.1 [1.38]	44.2 [1.74]	17.5 [69]	89.9 [3.54]	16.8 [66]	30.2 [1.19]	6.9 [27]	17.0 [67]						
YAV300M20	300 (600)	2	M20	35.1 [1.38]	44.2 [1.74]	23.8 [94]	100.9 [3.97]	22.4 [88]	30.2 [1.19]	6.9 [27]	22.6 [89]						
YAV400M12	400 (800)	2	M12	36.1 [1.42]	50.3 [1.98]	13.5 [53]	87.1 [3.43]	13.5 [53]	34.3 [1.35]	7.6 [30]	14.0 [55]	24	--	--	U39RT (3)	Y644 (1) PAT644 (1) Y81KFT (3) PAT81KFT (3)	37
YAV400M14	400 (800)	2	M14	36.1 [1.42]	50.3 [1.98]	15.0 [59]	88.1 [3.47]	14.0 [55]	34.3 [1.35]	7.6 [30]	14.5 [57]						
YAV400M16	400 (800)	2	M16	36.1 [1.42]	50.3 [1.98]	17.5 [69]	93.5 [3.68]	16.8 [66]	34.3 [1.35]	7.6 [30]	17.0 [67]						
YAV400M20	400 (800)	2	M20	36.1 [1.42]	50.3 [1.98]	23.8 [94]	104.5 [4.12]	22.4 [88]	34.3 [1.35]	7.6 [30]	22.6 [89]						
YAV500M12	500 (1000)	2	M12	41.9 [1.65]	55.6 [2.19]	13.5 [53]	96.2 [3.79]	13.5 [53]	38.1 [1.50]	8.1 [32]	14.0 [55]	L115	--	--	U44XRT (3)	Y644 (1) PAT644 (1) Y81KFT (3) PAT81KFT (3)	43
YAV500M16	500 (1000)	2	M16	41.9 [1.65]	55.6 [2.19]	17.5 [69]	102.6 [4.04]	16.8 [66]	38.1 [1.50]	8.4 [33]	17.0 [67]						
YAV500M20	500 (1000)	2	M20	41.9 [1.65]	55.6 [2.19]	23.8 [94]	113.7 [4.48]	22.4 [88]	38.1 [1.50]	8.4 [33]	22.6 [89]						
YAV630M12	630 (1250)	2	M12	50.8 [2.00]	62.5 [2.46]	13.5 [53]	107.7 [4.24]	13.5 [53]	42.9 [1.69]	9.7 [38]	14.0 [55]	29	--	--	P45RT (3)	--	55
YAV630M16	630 (1250)	2	M16	50.8 [2.00]	62.5 [2.46]	17.5 [69]	114.0 [4.49]	16.8 [66]	42.9 [1.69]	9.7 [38]	17.0 [67]						
YAV630M20	630 (1250)	2	M20	50.8 [2.00]	62.5 [2.46]	23.8 [94]	125.2 [4.93]	22.4 [88]	42.9 [1.69]	9.7 [38]	22.6 [89]						

REV	DATE	DESCRIPTION	ECO	BY	CHK.
L	11/09/21	UPDATED PRODUCT TABLES	211104 014086	JL	RR

CONNECTOR SIZE	TOLERANCES					
	B	C	K DIA.	L	N	O.D.
015 - 6	± .8 [.03]	± 1.0 [.04]	± .5 [.02]	± 1.5 [.06]	± .8 [.03]	± .3 [.01]
10 - 50	± 1.5 [.06]	± 1.0 [.04]	± .5 [.02]	± 2.3 [.09]	± .8 [.03]	± .3 [.01]
70 - 240	± 2.0 [.08]	± 1.0 [.04]	± .5 [.02]	± 3.0 [.12]	± .8 [.03]	± .3 [.01]
300 & ABOVE	± 2.3 [.09]	± 1.5 [.06]	± .5 [.02]	± 3.8 [.15]	± 1.5 [.06]	± .3 [.01]

NOTES:

- SEE SHEET 1 FOR NOTES.

TO ORDER BURNDY® PRODUCTS CALL		HYLUG™	
UNITED STATES 1-800-346-4175 (LONDONDERRY, NH)		ITEM NO: --	
CANADA: 1-800-387-6487		CAT. NO: SEE TABLE	
FOR PRODUCT INFO: http://www.burndy.com		DRAWN BY: B.PARTHIBAN 05/21/2013	
		CHECKER: R.ROMAN 06/04/2013	
		DSN APRVL: R.ROMAN 06/04/2013	
		MFG APRVL: --	
		QA APRVL: T.WATTS 06/04/2013	
		MKT APRVL: J.SYLVA 06/03/2013	
		PROJ #:	
		SIZE	
		50025521	
		B	
		SHEET 5 OF 5	
		DRAWING NO	
		REV	
		L	