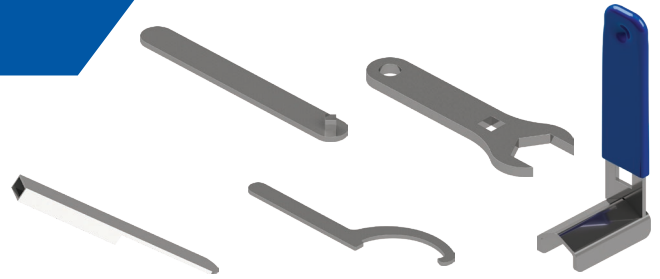
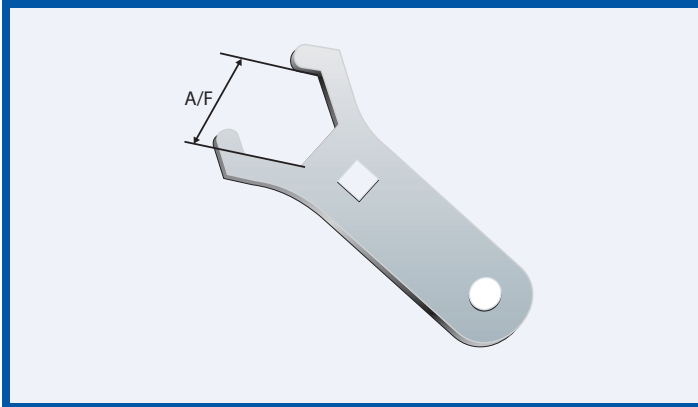


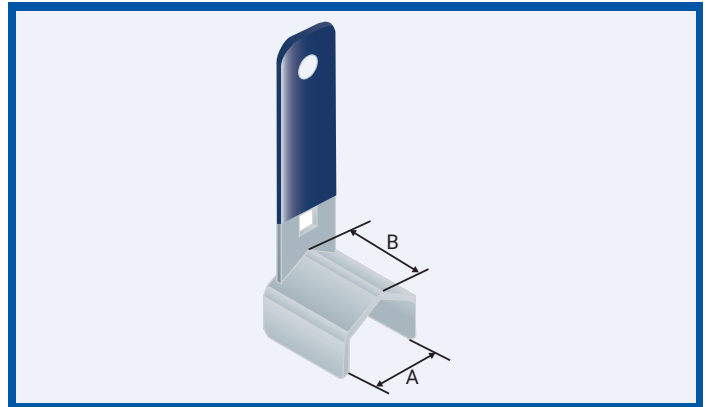
TOOLS



POSI SPANNER



LOCKNUT SPANNER



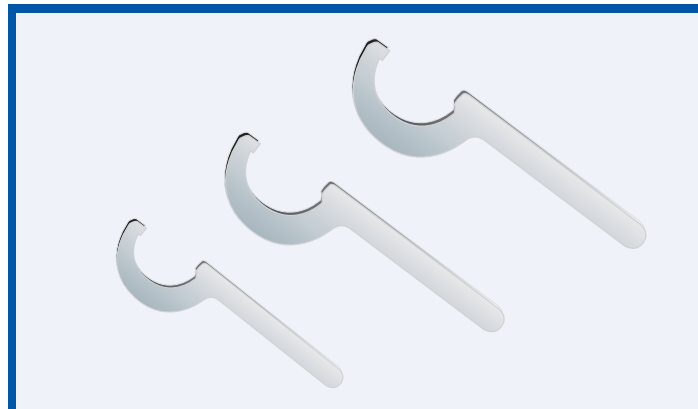
Gland Size	A/F	SPANNER PRODUCT CODE		
		Posi Flex™	Posi Grip™	Posi Braid™
00/0	30	401206	401206	401206
1	34	401207	401207	401207
2	42	401208	401208	401208
3	52	401209	401209	401209
4	62	401210	401210	401210
5	74	401211	401211	401211
6	95	401212	401212	401212
7	110	401213	401213	401213
8	118	401214	401214	401214
9	130	401215	401215	401215

A/F dimensions are in mm. Refer to data sheet for installation torque value.

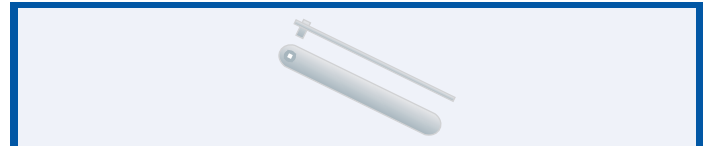
Spanner Product Code	Suit Gland Size	Across Flats 'A'	Depth of Reach 'B'
40162025PA60	0 / 1	25.0	60.0
40162032PA60	2	32.0	60.0
40162040PA60	3	40.0	60.0
40162052PA60	4	52.0	60.0
40162065PA65	5	65.0	65.0
40162080PA70	6	80.0	70.0
40162096PA75	7 / 8	96.0	75.0
40162111PA80	9	111.0	80.0
40162125PA85	10	125.0	85.0
40162135PA85	11	135.0	85.0

Dimensions are in mm.

C SPANNER



SQUARE POWER BAR



Product Code

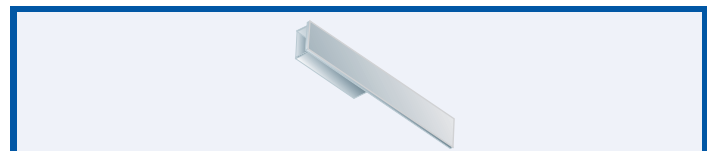
401600-000

Gland Size	A2	BW	CW	D1W	E1W
10	401610-C	401610-C	401610-C	401610-C	401610-C
11	401611-C	401611-C	401611-C	401611-C	401611-C
12	401612-C	401612-C	401612-C	401612-C	401612-C
13	401613-C	401613-C	401613-C	401613-C	401613-C

Refer to data sheet for installation torque value.

WIRE BENDING TOOL

FOR STEEL WIRE ARMOUR CABLE



Product Code

401701

SELECTION CHART HEX SPANNER



CCG HEX SPANNER SELECTION CHART

Gland Size	Hex	A2	BW	CW	D1W	E1W	IPLUS	E1EX	E1EX-U	EX-CGUARD	A2F	AZEX	ARMORTEX	FLP/FLPTR
0.0	22	-	401600-022	-	-	-	-	-	-	-	-	-	-	-
00 / 0	24	401600-024	-	401600-024	401600-024	401600-024	401600-024	401600-024	-	401600-024	401600-024	401600-024	-	-
0.0	25	-	-	-	-	-	-	-	401600-025	-	-	-	-	-
00 / 0	25	-	-	-	-	-	-	-	-	-	-	-	401600-025	401600-025
0	27	-	-	-	-	-	-	-	401601-027	-	-	-	-	-
1	27	401601-027	401601-027	401601-027	401601-027	401601-027	401601-027	401601-027	-	401601-027	401601-027	401601-027	-	-
1	30	-	-	-	-	-	-	-	-	-	-	-	401601-030	401601-030
2	30	-	-	-	-	-	-	-	401601-030	-	-	-	-	-
2	32	-	-	-	-	-	-	-	-	-	-	-	-	-
2	35	401602-035	401602-035	401602-035	401602-035	401602-035	401602-035	401602-035	-	401602-035	401602-035	401602-035	-	-
2	38	-	-	-	-	-	-	-	401602-038	-	-	-	-	-
2	40	-	-	-	-	-	-	-	-	-	-	-	401602-040	401602-040
3	40	-	-	-	-	-	-	-	-	-	-	-	-	-
3	42	401603-042	401603-042	401603-042	401603-042	401603-042	401603-042	401603-042	-	401603-042	401603-042	401603-042	-	-
3	45	-	-	-	-	-	-	-	401603-045	-	-	-	401603-045	401603-045
3	47	-	-	-	-	-	-	-	-	-	-	-	-	-
4	52	401604-052	401604-052	401604-052	401604-052	401604-052	401604-052	401604-052	-	401604-052	401604-052	401604-052	-	-
4	55	-	-	-	-	-	-	-	401604-055	-	-	-	401604-055	401604-055
4	60	-	-	-	-	-	-	-	-	-	-	-	-	-
5	65	401605-065	401605-065	401605-065	401605-065	401605-065	401605-065	401605-065	401605-065	401605-065	401605-065	401605-065	-	-
5	70	-	-	-	-	-	-	-	-	-	-	-	401605-070	401605-070
5	75	-	-	-	-	-	-	-	-	-	-	-	-	-
6	80	401606-080	401606-080	401606-080	401606-080	401606-080	401606-080	401606-080	-	401606-080	401606-080	401606-080	-	-
6	85	-	-	-	-	-	-	-	-	-	-	-	-	-
6	85	-	-	-	-	-	-	-	401606-085	-	-	-	401606-085	401606-085
7 / 8	96	401607-096	401607-096	401607-096	401607-096	401607-096	401607-096	401607-096	401607-096	401607-096	401607-096	401607-096	401607-096	401607-096
9	111	401609-112	401609-112	401609-112	401609-112	401609-112	401609-112	401609-112	401609-112	401609-112	401609-112	401609-112	-	-
10	125	401610-126	401610-126	401610-126	401610-126	401610-126	401610-126	401610-126	401610-126	-	401610-126	401610-126	-	-
11	135	-	-	-	-	-	-	-	-	-	401611-136	401611-136	-	-
12	140	-	-	-	-	-	-	-	-	-	401612-140	401612-140	-	-
13	146	-	-	-	-	-	-	-	-	-	401613-148	401613-148	-	-

Hex dimensions are in mm. Refer to data sheet for installation torque value.