

COUPLER

Ex db, Ex eb, Ex ta, Ex nR, IP65/66/68

for General Industrial and Hazardous Area Installations



Features and Benefits

- Precision manufactured from high-quality brass (Marine Grade Electroless Nickel Plated™), aluminium or stainless steel 316/316L on request. (Note: Aluminium not suitable for Group I applications.)
- Converts female threads to male threads
- Converts mismatching threads to the required thread.

Technical Data

Type:	Coupler
Material:	Brass (Marine Grade Electroless Nickel Plated™), Aluminium, Stainless Steel 316/316L
Gasket Material:	Standard HDPE or Extreme Temp. PTFE
Note:	The installer should check that the materials are suitable for the installation environment

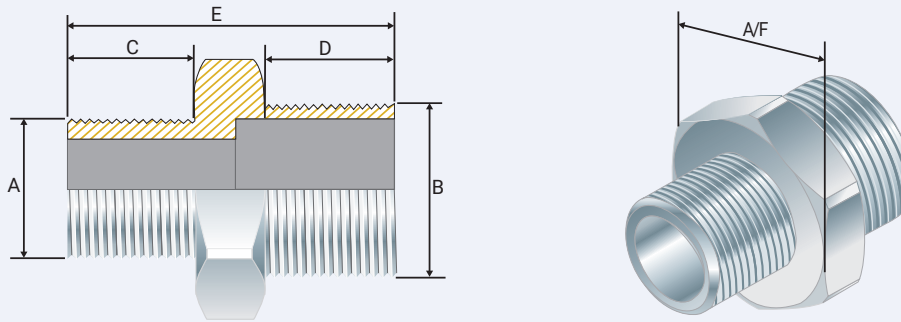
Standards and Certifications

Equipment Protection Levels:	IECEX/INMETRO: Ex db I Mb / Ex eb I Mb / Ex db IIC Gb / Ex eb IIC Gb / Ex ta IIIC Da / Ex nR IIC ATEX/UKEX: Ⓢ I M2 Ex db I Mb / Ex eb I Mb, Ⓢ II 2G 1D Ex db IIC Gb / Ex eb IIC Gb / Ex ta IIIC Da TR CU: Ⓢ 1Ex d IIC Gb X / PB Ex d I Mb X / 1Ex e IIC Gb X / ПП Ex e I Mc X / Ex tb IIIC Db X CCC: Ex d IIC Gb, Ex d I Mb, Ex e IIC Gb, Ex e I Mb, Ex tD A21 IP65/66/67/68	
Conformance:	Standard:	Certificate:
IECEX	IEC 60079 Part 0, 1, 7, 15, 31 IEC 60079 Part 0, 1, 7, 31	IECEX CML 16.0062X IECEX ITA 13.0005X
ATEX	EN 60079 Part 0, 1, 7, 31	CML 15ATEX1040X
UKEX	BS EN 60079 Part 0, 1, 7, 31	CML 21UKEX1014X
INMETRO (Brazil)	ABNT NBR IEC 60079 Part 0, 1, 7, 31	TÜV 15.0485X
TR CU (Russia)	ГОСТ 31610-0, 15, ГОСТ IEC 60079-1 ГОСТ P MЭК 60079-7, 31	EAЭC RU C-ZA.HA91.B.00244/21
CCC / CNEC (Chinese)	GB/T3836.1-2021, GB/T3836.2-2021, GB/T3836.3-2021, GB/T3836.31-2021	CNEX 21.3391X CCC 2021312313000391
KCS (Korea)	Notification of Ministry of Labour No. 2013-54	16-AV4BO-0439-42X
SANS	SANS/IEC 60079 Part 0, 1, 7, 31 SANS/IEC 60529	MASC MS/13-594X
IP66/68 2m - Parallel	IEC 60529	CML15Y728
IP65/66 - Tapered	IEC 60529	
Deluge Protection	DTS-01	CML 14CA370-2
Corrosion Protection	ASTM B117-11, BS EN ISO 3231	EXOVA N968667
Marine ABS	IEC 60079 Part 0, 1, 7, 15, 31, IEC 60529	ABS 20-SG1952706-1-PDA
DNV-GL	IEC 60079 Part 0, 1, 7, IEC 60529	DNV-GL TAE0000010
ClassNK	IEC 60079 Part 0, 1, 7, 15, 31	TA20272M
London Underground Approval	BS EN 62444	LU 3043, LU 3044

Conditions and limitations for Safe Use - X

- An IP rating of IP66/68 is maintained for units with parallel threads when used with the supplied washer and for units with tapered thread when thread sealant is conducted as indicated in IEC 60079-14. Alternatively an IP65 rating is applicable.
- Operating temperature range -60°C to +95°C (HDPE gasket), -60°C to +100°C (nylon gasket) or -60°C to +160°C (PTFE gasket) is applicable if the gaskets are utilized to maintain an IP rating IP65/66/68 2m continued.
- A blanking element may not be installed on a Coupler.
- When the coupler with metric male thread and with the sealing washer fitted is intended for use / interface in threaded holes in a flameproof enclosure the applicable thread engagement must be achieved after the washer has been fitted. Thread engagement shall be at least five full threads.





BSP TO METRIC

Product Code	Size BSP "A" x Metric "B"	Thread Length Min "C"	Thread Length Min "D"	Overall Length Min "E"	Dimension Min A/F
CB012M016	½ BSP x M16	16.0	15.0	41.0	27.0
CB012M020	½ BSP x M20	16.0	15.0	41.0	32.0
CB012M025	½ BSP x M25	16.0	15.0	41.0	32.0
CB034M016	¾ BSP x M16	16.0	15.0	41.0	32.0
CB034M020	¾ BSP x M20	16.0	15.0	41.0	32.0
CB034M025	¾ BSP x M25	16.0	15.0	41.0	32.0
CB034M032	¾ BSP x M32	16.0	15.0	41.0	38.0
CB034M040	¾ BSP x M40	16.0	15.0	41.0	45.0
CB001M016	1 BSP x M16	18.0	15.0	43.0	35.0
CB001M020	1 BSP x M20	18.0	15.0	43.0	42.0
CB001M025	1 BSP x M25	18.0	15.0	43.0	42.0
CB001M032	1 BSP x M32	18.0	15.0	43.0	42.0
CB001M040	1 BSP x M40	18.0	15.0	43.0	47.0
CB001M050	1 BSP x M50	18.0	15.0	43.0	60.0
CB114M020	1¼ BSP x M20	18.0	15.0	43.0	47.0
CB114M025	1¼ BSP x M25	18.0	15.0	43.0	47.0
CB114M032	1¼ BSP x M32	18.0	15.0	43.0	47.0
CB114M040	1¼ BSP x M40	18.0	15.0	43.0	52.0
CB114M050	1¼ BSP x M50	18.0	15.0	43.0	65.0
CB114M063	1¼ BSP x M63	18.0	15.0	43.0	70.0
CB112M020	1½ BSP x M20	18.0	15.0	43.0	52.0
CB112M025	1½ BSP x M25	18.0	15.0	43.0	52.0
CB112M032	1½ BSP x M32	18.0	15.0	43.0	52.0
CB112M040	1½ BSP x M40	18.0	15.0	43.0	55.0
CB112M050	1½ BSP x M50	18.0	15.0	43.0	65.0
CB112M063	1½ BSP x M63	18.0	15.0	43.0	70.0
CB112M075	1½ BSP x M75	18.0	15.0	43.0	80.0
CB002M025	2 BSP x M25	18.0	15.0	43.0	65.0
CB002M032	2 BSP x M32	18.0	15.0	43.0	65.0
CB002M040	2 BSP x M40	18.0	15.0	43.0	65.0
CB002M050	2 BSP x M50	18.0	15.0	43.0	65.0
CB002M063	2 BSP x M63	18.0	15.0	43.0	70.0
CB002M075	2 BSP x M75	18.0	15.0	43.0	80.0
CB002M080	2 BSP x M80	18.0	20.0	48.0	85.0
CB212M032	2½ BSP x M32	18.0	15.0	43.0	80.0
CB212M040	2½ BSP x M40	18.0	15.0	43.0	80.0
CB212M050	2½ BSP x M50	18.0	15.0	43.0	80.0
CB212M063	2½ BSP x M63	18.0	15.0	43.0	80.0
CB212M075	2½ BSP x M75	18.0	15.0	43.0	80.0
CB212M080	2½ BSP x M80	18.0	20.0	48.0	85.0
CB212M090	2½ BSP x M90	18.0	20.0	48.0	96.0
CB003M040	3 BSP x M40	18.0	15.0	43.0	96.0
CB003M050	3 BSP x M50	18.0	15.0	43.0	96.0
CB003M063	3 BSP x M63	18.0	15.0	43.0	96.0
CB003M075	3 BSP x M75	18.0	15.0	43.0	96.0
CB003M080	3 BSP x M80	18.0	20.0	48.0	96.0
CB003M090	3 BSP x M90	18.0	20.0	48.0	96.0
CB003M100	3 BSP x M100	18.0	20.0	48.0	111.0
CB312M050	3½ BSP x M50	18.0	15.0	43.0	111.0
CB312M063	3½ BSP x M63	18.0	15.0	43.0	111.0
CB312M075	3½ BSP x M75	18.0	15.0	43.0	111.0
CB312M080	3½ BSP x M80	18.0	20.0	48.0	111.0
CB312M090	3½ BSP x M90	18.0	20.0	48.0	111.0
CB312M100	3½ BSP x M100	18.0	20.0	48.0	111.0
CB004M063	4 BSP x M63	18.0	15.0	43.0	125.0
CB004M075	4 BSP x M75	18.0	15.0	43.0	125.0
CB004M080	4 BSP x M80	18.0	20.0	48.0	125.0
CB004M090	4 BSP x M90	18.0	20.0	48.0	125.0
CB004M100	4 BSP x M100	18.0	20.0	48.0	125.0

All dimensions except BSP are in mm.

BSP TO BSP

Product Code	Size BSP "A" x BSP "B"	Thread Length Min "C"	Thread Length Min "D"	Overall Length Min "E"	Dimension Min A/F
CB012B012	½ BSP x ½ BSP	16.0	16.0	42.0	27.0
CB034B012	¾ BSP x ½ BSP	16.0	16.0	42.0	35.0
CB034B034	¾ BSP x ¾ BSP	16.0	16.0	42.0	35.0
CB001B012	1 BSP x ½ BSP	18.0	16.0	44.0	42.0
CB001B034	1 BSP x ¾ BSP	18.0	16.0	44.0	42.0
CB001B001	1 BSP x 1 BSP	18.0	18.0	46.0	42.0
CB114B034	1¼ BSP x ¾ BSP	18.0	16.0	44.0	51.0
CB114B001	1¼ BSP x 1 BSP	18.0	18.0	46.0	51.0
CB114B114	1¼ BSP x 1¼ BSP	18.0	18.0	46.0	51.0
CB112B034	1½ BSP x ¾ BSP	18.0	16.0	44.0	53.0
CB112B001	1½ BSP x 1 BSP	18.0	18.0	46.0	53.0
CB112B114	1½ BSP x 1¼ BSP	18.0	18.0	46.0	53.0
CB112B112	1½ BSP x 1½ BSP	18.0	18.0	46.0	53.0
CB002B001	2 BSP x 1 BSP	18.0	18.0	46.0	65.0
CB002B114	2 BSP x 1¼ BSP	18.0	18.0	46.0	65.0
CB002B112	2 BSP x 1½ BSP	18.0	18.0	46.0	65.0
CB002B002	2 BSP x 2 BSP	18.0	18.0	46.0	65.0
CB212B114	2½ BSP x 1¼ BSP	18.0	18.0	46.0	80.0
CB212B112	2½ BSP x 1½ BSP	18.0	18.0	46.0	80.0
CB212B002	2½ BSP x 2 BSP	18.0	18.0	46.0	80.0
CB212B212	2½ BSP x 2½ BSP	18.0	18.0	46.0	80.0
CB003B112	3 BSP x 1½ BSP	18.0	18.0	46.0	96.0
CB003B002	3 BSP x 2 BSP	18.0	18.0	46.0	96.0
CB003B212	3 BSP x 2½ BSP	18.0	18.0	46.0	96.0
CB003B003	3 BSP x 3 BSP	18.0	18.0	46.0	96.0
CB312B002	3½ BSP x 2 BSP	18.0	18.0	46.0	111.0
CB312B212	3½ BSP x 2½ BSP	18.0	18.0	46.0	111.0
CB312B003	3½ BSP x 3 BSP	18.0	18.0	46.0	111.0
CB312B312	3½ BSP x 3½ BSP	18.0	18.0	46.0	111.0
CB004B212	4 BSP x 2½ BSP	18.0	18.0	46.0	111.0
CB004B003	4 BSP x 3 BSP	18.0	18.0	46.0	111.0
CB004B312	4 BSP x 3½ BSP	18.0	18.0	46.0	111.0
CB004B004	4 BSP x 4 BSP	18.0	18.0	46.0	111.0

All dimensions except BSP are in mm.

BSP TO NPT

Product Code	Size BSP "A" x NPT "B"	Thread Length Min "C"	Thread Length Max "D"	Overall Length Min "E"	Dimension Min A/F
CB012N012	½ BSP x ½ NPT	16.0	15.0	41.0	27.0
CB034N012	¾ BSP x ½ NPT	16.0	15.0	41.0	32.0
CB034N034	¾ BSP x ¾ NPT	16.0	15.0	41.0	32.0
CB001N012	1 BSP x ½ NPT	18.0	15.0	43.0	40.0
CB001N034	1 BSP x ¾ NPT	18.0	15.0	43.0	40.0
CB001N001	1 BSP x 1 NPT	18.0	19.0	47.0	40.0
CB114N034	1¼ BSP x ¾ NPT	18.0	15.0	43.0	47.0
CB114N001	1¼ BSP x 1 NPT	18.0	19.0	47.0	47.0
CB114N114	1¼ BSP x 1¼ NPT	18.0	19.0	47.0	47.0
CB112N034	1½ BSP x ¾ NPT	18.0	15.0	43.0	55.0
CB112N001	1½ BSP x 1 NPT	18.0	19.0	47.0	55.0
CB112N114	1½ BSP x 1¼ NPT	18.0	19.0	47.0	52.0
CB112N112	1½ BSP x 1½ NPT	18.0	21.0	49.0	55.0
CB002N001	2 BSP x 1 NPT	18.0	19.0	47.0	65.0
CB002N114	2 BSP x 1¼ NPT	18.0	19.0	47.0	65.0
CB002N112	2 BSP x 1½ NPT	18.0	21.0	49.0	65.0
CB002N002	2 BSP x 2 NPT	18.0	21.0	49.0	65.0
CB212N114	2½ BSP x 1¼ NPT	18.0	19.0	47.0	80.0
CB212N112	2½ BSP x 1½ NPT	18.0	21.0	49.0	80.0
CB212N002	2½ BSP x 2 NPT	18.0	21.0	49.0	80.0
CB212N212	2½ BSP x 2½ NPT	18.0	30.0	58.0	80.0
CB003N112	3 BSP x 1½ NPT	18.0	21.0	49.0	96.0
CB003N002	3 BSP x 2 NPT	18.0	21.0	49.0	96.0
CB003N212	3 BSP x 2½ NPT	18.0	30.0	58.0	96.0
CB003N003	3 BSP x 3 NPT	18.0	32.0	60.0	96.0
CB312N002	3½ BSP x 2 NPT	18.0	21.0	49.0	111.0
CB312N212	3½ BSP x 2½ NPT	18.0	30.0	58.0	111.0
CB312N003	3½ BSP x 3 NPT	18.0	32.0	60.0	111.0
CB312N312	3½ BSP x 3½ NPT	18.0	33.0	61.0	111.0
CB004N212	4 BSP x 2½ NPT	18.0	30.0	58.0	125.0
CB004N003	4 BSP x 3 NPT	18.0	32.0	60.0	125.0
CB004N312	4 BSP x 3½ NPT	18.0	33.0	61.0	125.0
CB004N004	4 BSP x 4 NPT	18.0	34.0	62.0	125.0

All dimensions except BSP and NPT are in mm.

PRODUCT CODE STRUCTURE

1st Character denotes the type, C = Coupler	2nd Character denotes the male thread - Metric, NPT or BSP	3rd to 5th Character denotes the size of the male thread	6th Character denotes the male thread - Metric, NPT or BSP	7th to 9th Character denotes the size of male thread	10th Character denotes the classification - Conduit (S) or Ex (E)	Example Product Code
C	M	025	M	020	E	CM025M020E

SIZE REFERENCE

Metric Size Reference	NPT Size Reference	BSP Size Reference
M16 x 1.5	-	-
M20 x 1.5	½ / ¾	½ / ¾
M25 x 1.5	¾ / 1	¾ / 1
M32 x 1.5	1 / 1¼	1 / 1¼
M40 x 1.5	1¼ / 1½	1¼ / 1½
M50 x 1.5	1½ / 2	1½ / 2
M63 x 1.5	2 / 2½	2 / 2½
M63 x 1.5	2 / 2½	2 / 2½
M75 x 1.5	2½ / 3	2½ / 3
M75 x 1.5	2½ / 3	2½ / 3
M80 x 2.0	3	3
M90 x 2.0	3 / 3½	3 / 3½
M100 x 2.0	3½ / 4	3½ / 4
M115 x 2.0	4	4
M120 x 2.0	-	-

NPT TO NPT

Product Code	Size NPT "A" x NPT "B"	Thread Length Max "C"	Thread Length Max "D"	Overall Length Min "E"	Dimension Min A/F
CN012N012	½ NPT x ½ NPT	15.0	15.0	40.0	25.0
CN034N012	¾ NPT x ½ NPT	15.0	15.0	40.0	32.0
CN034N034	¾ NPT x ¾ NPT	15.0	15.0	40.0	32.0
CN001N012	1 NPT x ½ NPT	19.0	15.0	44.0	38.0
CN001N034	1 NPT x ¾ NPT	19.0	15.0	44.0	38.0
CN001N001	1 NPT x 1 NPT	19.0	19.0	48.0	38.0
CN114N034	1¼ NPT x ¾ NPT	19.0	15.0	44.0	47.0
CN114N001	1¼ NPT x 1 NPT	19.0	19.0	48.0	47.0
CN114N114	1¼ NPT x 1¼ NPT	19.0	19.0	48.0	47.0
CN112N034	1½ NPT x ¾ NPT	21.0	15.0	46.0	52.0
CN112N001	1½ NPT x 1 NPT	21.0	19.0	50.0	52.0
CN112N114	1½ NPT x 1¼ NPT	21.0	19.0	50.0	52.0
CN112N112	1½ NPT x 1½ NPT	21.0	21.0	52.0	52.0
CN112N002	1½ NPT x 2 NPT	21.0	21.0	52.0	52.0
CN002N001	2 NPT x 1 NPT	21.0	19.0	50.0	65.0
CN002N114	2 NPT x 1¼ NPT	21.0	19.0	50.0	65.0
CN002N112	2 NPT x 1½ NPT	21.0	21.0	52.0	65.0
CN002N002	2 NPT x 2 NPT	21.0	21.0	52.0	65.0
CN212N114	2½ NPT x 1¼ NPT	30.0	19.0	59.0	80.0
CN212N112	2½ NPT x 1½ NPT	30.0	21.0	61.0	80.0
CN212N002	2½ NPT x 2 NPT	30.0	21.0	61.0	80.0
CN212N212	2½ NPT x 2½ NPT	30.0	30.0	70.0	80.0
CN003N112	3 NPT x 1½ NPT	32.0	21.0	63.0	96.0
CN003N002	3 NPT x 2 NPT	32.0	21.0	63.0	96.0
CN003N212	3 NPT x 2½ NPT	32.0	30.0	72.0	96.0
CN003N003	3 NPT x 3 NPT	32.0	32.0	74.0	96.0
CN312N002	3¾ NPT x 2 NPT	33.0	21.0	64.0	111.0
CN312N212	3¾ NPT x 2½ NPT	33.0	30.0	73.0	111.0
CN312N003	3¾ NPT x 3 NPT	33.0	32.0	75.0	111.0
CN312N312	3¾ NPT x 3¾ NPT	33.0	33.0	76.0	111.0
CN004N212	4 NPT x 2½ NPT	34.0	30.0	74.0	125.0
CN004N003	4 NPT x 3 NPT	34.0	32.0	76.0	125.0
CN004N312	4 NPT x 3¾ NPT	34.0	33.0	77.0	125.0
CN004N004	4 NPT x 4 NPT	34.0	34.0	78.0	125.0

All dimensions except NPT are in mm.

METRIC TO NPT

Product Code	Size Metric "A" x NPT "B"	Thread Length Min "C"	Thread Length Max "D"	Overall Length Min "E"	Dimension Min A/F
CM016N012	M16 x ½ NPT	15.0	15.0	40.0	27.0
CM016N034	M16 x ¾ NPT	15.0	15.0	40.0	32.0
CM016N001	M16 x 1 NPT	15.0	19.0	44.0	38.0
CM020N012	M20 x ½ NPT	15.0	15.0	40.0	27.0
CM020N034	M20 x ¾ NPT	15.0	15.0	40.0	32.0
CM020N001	M20 x 1 NPT	15.0	19.0	44.0	38.0
CM020N114	M20 x 1¼ NPT	15.0	19.0	44.0	70.0
CM020N112	M20 x 1½ NPT	15.0	21.0	46.0	80.0
CM025N012	M25 x ½ NPT	15.0	15.0	40.0	32.0
CM025N034	M25 x ¾ NPT	15.0	15.0	40.0	32.0
CM025N001	M25 x 1 NPT	15.0	19.0	44.0	38.0
CM025N114	M25 x 1¼ NPT	15.0	19.0	44.0	70.0
CM025N112	M25 x 1½ NPT	15.0	21.0	46.0	80.0
CM025N002	M25 x 2 NPT	15.0	21.0	46.0	85.0
CM032N034	M32 x ¾ NPT	15.0	15.0	40.0	38.0
CM032N001	M32 x 1 NPT	15.0	19.0	44.0	38.0
CM032N114	M32 x 1¼ NPT	15.0	19.0	44.0	70.0
CM032N112	M32 x 1½ NPT	15.0	21.0	46.0	80.0
CM032N002	M32 x 2 NPT	15.0	21.0	46.0	85.0
CM032N212	M32 x 2½ NPT	15.0	30.0	55.0	96.0
CM040N034	M40 x ¾ NPT	15.0	15.0	40.0	45.0
CM040N001	M40 x 1 NPT	15.0	19.0	44.0	45.0
CM040N114	M40 x 1¼ NPT	15.0	19.0	44.0	70.0
CM040N112	M40 x 1½ NPT	15.0	21.0	46.0	80.0
CM040N002	M40 x 2 NPT	15.0	21.0	46.0	85.0
CM040N212	M40 x 2½ NPT	15.0	30.0	55.0	96.0
CM040N003	M40 x 3 NPT	15.0	32.0	57.0	111.0
CM050N001	M50 x 1 NPT	15.0	19.0	44.0	55.0
CM050N114	M50 x 1¼ NPT	15.0	19.0	44.0	70.0
CM050N112	M50 x 1½ NPT	15.0	21.0	46.0	80.0
CM050N002	M50 x 2 NPT	15.0	21.0	46.0	85.0
CM050N212	M50 x 2½ NPT	15.0	30.0	55.0	96.0
CM050N003	M50 x 3 NPT	15.0	32.0	57.0	111.0
CM050N312	M50 x 3¾ NPT	15.0	33.0	58.0	111.0
CM050N312	M50 x 3¾ NPT	15.0	33.0	58.0	111.0
CM063N114	M63 x 1¼ NPT	15.0	19.0	44.0	70.0
CM063N112	M63 x 1½ NPT	15.0	21.0	46.0	80.0
CM063N002	M63 x 2 NPT	15.0	21.0	46.0	85.0
CM063N212	M63 x 2½ NPT	15.0	30.0	55.0	96.0
CM063N003	M63 x 3 NPT	15.0	32.0	57.0	111.0
CM063N312	M63 x 3¾ NPT	15.0	33.0	58.0	111.0
CM063N004	M63 x 4 NPT	15.0	34.0	59.0	125.0
CM075N112	M75 x 1½ NPT	15.0	21.0	46.0	80.0
CM075N002	M75 x 2 NPT	15.0	21.0	46.0	85.0
CM075N212	M75 x 2½ NPT	15.0	30.0	55.0	96.0
CM075N003	M75 x 3 NPT	15.0	32.0	57.0	111.0
CM075N312	M75 x 3¾ NPT	15.0	33.0	58.0	111.0
CM075N004	M75 x 4 NPT	15.0	34.0	59.0	125.0
CM080N002	M80 x 2 NPT	20.0	21.0	51.0	85.0
CM080N212	M80 x 2½ NPT	20.0	30.0	60.0	96.0
CM080N003	M80 x 3 NPT	20.0	32.0	62.0	111.0
CM080N312	M80 x 3¾ NPT	20.0	33.0	63.0	111.0
CM080N004	M80 x 4 NPT	20.0	34.0	64.0	125.0
CM090N212	M90 x 2½ NPT	20.0	30.0	60.0	96.0
CM090N003	M90 x 3 NPT	20.0	32.0	62.0	111.0
CM090N312	M90 x 3¾ NPT	20.0	33.0	63.0	111.0
CM090N004	M90 x 4 NPT	20.0	34.0	64.0	125.0
CM100N003	M100 x 3 NPT	20.0	32.0	62.0	111.0
CM100N312	M100 x 3¾ NPT	20.0	33.0	63.0	111.0
CM100N004	M100 x 4 NPT	20.0	34.0	64.0	125.0

All dimensions except NPT are in mm.

NPT TO BSP

Product Code	Size NPT "A" x BSP "B"	Thread Length Max "C"	Thread Length Min "D"	Overall Length Min "E"	Dimension Min A/F
CN012B012	½ NPT x ½ BSP	15.0	16.0	41.0	27.0
CN034B012	¾ NPT x ½ BSP	15.0	16.0	41.0	32.0
CN034B034	¾ NPT x ¾ BSP	15.0	16.0	41.0	32.0
CN001B012	1 NPT x ½ BSP	19.0	16.0	45.0	40.0
CN001B034	1 NPT x ¾ BSP	19.0	16.0	45.0	40.0
CN001B001	1 NPT x 1 BSP	19.0	18.0	47.0	40.0
CN114B034	1¼ NPT x ¾ BSP	19.0	16.0	45.0	47.0
CN114B001	1¼ NPT x 1 BSP	19.0	18.0	47.0	47.0
CN114B114	1¼ NPT x 1¼ BSP	19.0	18.0	47.0	47.0
CN112B034	1½ NPT x ¾ BSP	21.0	16.0	47.0	47.0
CN112B001	1½ NPT x 1 BSP	21.0	18.0	49.0	55.0
CN112B114	1½ NPT x 1¼ BSP	21.0	18.0	49.0	52.0
CN112B112	1½ NPT x 1½ BSP	21.0	18.0	49.0	55.0
CN002B001	2 NPT x 1 BSP	21.0	18.0	49.0	65.0
CN002B114	2 NPT x 1¼ BSP	21.0	18.0	49.0	65.0
CN002B112	2 NPT x 1½ BSP	21.0	18.0	49.0	65.0
CN002B002	2 NPT x 2 BSP	21.0	18.0	49.0	65.0
CN212B114	2½ NPT x 1¼ BSP	30.0	18.0	58.0	80.0
CN212B112	2½ NPT x 1½ BSP	30.0	18.0	58.0	80.0
CN212B002	2½ NPT x 2 BSP	30.0	18.0	58.0	80.0
CN212B212	2½ NPT x 2½ BSP	30.0	18.0	58.0	80.0
CN003B112	3 NPT x 1½ BSP	32.0	18.0	60.0	96.0
CN003B002	3 NPT x 2 BSP	32.0	18.0	60.0	96.0
CN003B212	3 NPT x 2½ BSP	32.0	18.0	60.0	96.0
CN003B003	3 NPT x 3 BSP	32.0	18.0	60.0	96.0
CN312B002	3¾ NPT x 2 BSP	33.0	18.0	61.0	111.0
CN312B212	3¾ NPT x 2½ BSP	33.0	18.0	61.0	111.0
CN312B003	3¾ NPT x 3 BSP	33.0	18.0	61.0	111.0
CN312B312	3¾ NPT x 3¾ BSP	33.0	18.0	61.0	111.0
CN004B212	4 NPT x 2½ BSP	34.0	18.0	62.0	125.0
CN004B003	4 NPT x 3 BSP	34.0	18.0	62.0	125.0
CN004B312	4 NPT x 3¾ BSP	34.0	18.0	62.0	125.0
CN004B004	4 NPT x 4 BSP	34.0	18.0	62.0	125.0

All dimensions except NPT and BSP are in mm.

METRIC TO METRIC

Product Code	Size Metric "A" x Metric "B"	Thread Length Min "C"	Thread Length Min "D"	Overall Length Min "E"	Dimension Min A/F
CM016M016	M16 x M16	15.0	15.0	40.0	24.0
CM020M016	M20 x M16	15.0	15.0	40.0	27.0
CM020M020	M20 x M20	15.0	15.0	40.0	27.0
CM025M016	M25 x M16	15.0	15.0	40.0	32.0
CM025M020	M25 x M20	15.0	15.0	40.0	32.0
CM025M025	M25 x M25	15.0	15.0	40.0	32.0
CM032M020	M32 x M20	15.0	15.0	40.0	38.0
CM032M025	M32 x M25	15.0	15.0	40.0	38.0
CM032M032	M32 x M32	15.0	15.0	40.0	38.0
CM040M020	M40 x M20	15.0	15.0	40.0	47.0
CM040M025	M40 x M25	15.0	15.0	40.0	47.0
CM040M032	M40 x M32	15.0	15.0	40.0	47.0
CM040M040	M40 x M40	15.0	15.0	40.0	47.0
CM050M025	M50 x M25	15.0	15.0	40.0	60.0
CM050M032	M50 x M32	15.0	15.0	40.0	60.0
CM050M040	M50 x M40	15.0	15.0	40.0	60.0
CM050M050	M50 x M50	15.0	15.0	40.0	60.0
CM063M032	M63 x M32	15.0	15.0	40.0	80.0
CM063M040	M63 x M40	15.0	15.0	40.0	80.0
CM063M050	M63 x M50	15.0	15.0	40.0	80.0
CM063M063	M63 x M63	15.0	15.0	40.0	80.0
CM075M040	M75 x M40	15.0	15.0	40.0	80.0
CM075M050	M75 x M50	15.0	15.0	40.0	80.0
CM075M063	M75 x M63	15.0	15.0	40.0	80.0
CM075M075	M75 x M75	15.0	15.0	40.0	80.0
CM080M050	M80 x M50	20.0	15.0	45.0	96.0
CM080M063	M80 x M63	20.0	15.0	45.0	96.0
CM080M075	M80 x M75	20.0	15.0	45.0	96.0
CM080M080	M80 x M80	20.0	20.0	50.0	96.0
CM090M063	M90 x M63	20.0	15.0	45.0	96.0
CM090M075	M90 x M75	20.0	15.0	45.0	96.0
CM090M080	M90 x M80	20.0	20.0	50.0	96.0
CM090M090	M90 x M90	20.0	20.0	50.0	96.0
CM100M075	M100 x M75	20.0	15.0	45.0	111.0
CM100M080	M100 x M80	20.0	20.0	50.0	111.0
CM100M090	M100 x M90	20.0	20.0	50.0	111.0
CM100M100	M100 x				

COUPLER SELECTION CHART



METRIC TO METRIC COUPLER SELECTION CHART

MALE MALE	METRIC										
	M16	M20	M25	M32	M40	M50	M63	M75	M80	M90	M100
M16	COU										
M20	COU	COU									
M25	COU	COU	COU								
M32		COU	COU	COU							
M40		COU	COU	COU	COU						
M50			COU	COU	COU	COU					
M63				COU	COU	COU	COU				
M75					COU	COU	COU	COU			
M80						COU	COU	COU	COU		
M90							COU	COU	COU	COU	
M100								COU	COU	COU	COU

METRIC TO NPT COUPLER SELECTION CHART

MALE MALE	NPT									
	½"	¾"	1"	1¼"	1½"	2"	2½"	3"	3½"	4"
M16	COU	COU	COU							
M20	COU	COU	COU	COU	COU					
M25	COU	COU	COU	COU	COU	COU				
M32		COU	COU	COU	COU	COU	COU			
M40		COU	COU	COU	COU	COU	COU	COU		
M50			COU	COU	COU	COU	COU	COU	COU	
M63				COU	COU	COU	COU	COU	COU	COU
M75					COU	COU	COU	COU	COU	COU
M80						COU	COU	COU	COU	COU
M90							COU	COU	COU	COU
M100								COU	COU	COU

BSP TO METRIC COUPLER SELECTION CHART

MALE MALE	METRIC										
	M16	M20	M25	M32	M40	M50	M63	M75	M80	M90	M100
½"BSP	COU	COU	COU								
¾"BSP	COU	COU	COU	COU	COU						
1"BSP	COU	COU	COU	COU	COU	COU					
1¼"BSP		COU	COU	COU	COU	COU	COU				
1½"BSP		COU	COU	COU	COU	COU	COU	COU			
2"BSP			COU	COU	COU	COU	COU	COU	COU		
2½"BSP				COU	COU	COU	COU	COU	COU	COU	
3"BSPT					COU	COU	COU	COU	COU	COU	COU
3½"BSP						COU	COU	COU	COU	COU	COU
4"BSP							COU	COU	COU	COU	COU

BSP/NPT TO BSP/NPT COUPLER SELECTION CHART

MALE MALE	BSP / NPT									
	½"	¾"	1"	1¼"	1½"	2"	2½"	3"	3½"	4"
½"BSP/½"NPT	COU									
¾"BSP/¾"NPT	COU	COU								
1"BSP/1"NPT	COU	COU	COU							
1¼"BSP/1¼"NPT		COU	COU	COU						
1½"BSP/1½"NPT		COU	COU	COU	COU					
2"BSP/2"NPT			COU	COU	COU	COU				
2½"BSP/2½"NPT				COU	COU	COU	COU			
3"BSP/3"NPT					COU	COU	COU	COU		
3½"BSP/3½"NPT						COU	COU	COU	COU	COU
4"BSP/4"NPT							COU	COU	COU	COU