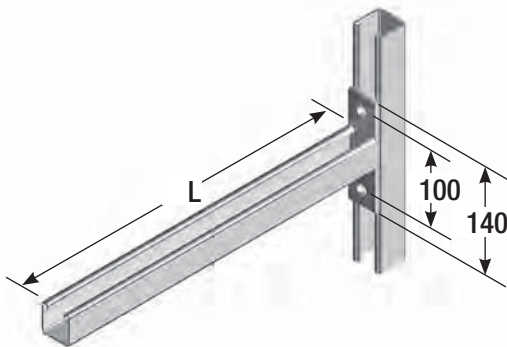


**Material Specification** - Thickness 2.5mm

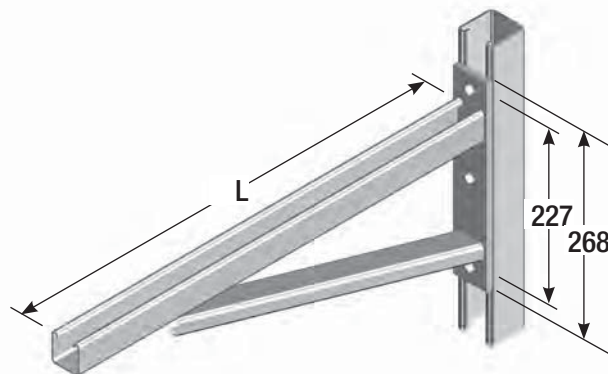
**Available Finish** - Hot Dip Galvanised  
- Stainless Steel

**Note** - Stainless Steel products are manufactured against firm orders only. They are non returnable and the order cannot be cancelled once manufacturing has commenced.  
- Load Capacities are based on the application of a uniformly distributed load.  
- Powder coating and special finishes on request against firm orders only and are non returnable.



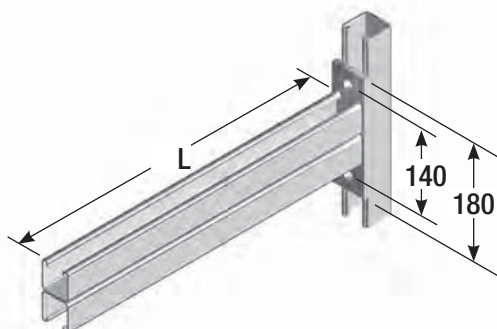
| Ordering Code | Length L | Load Capacity kg |
|---------------|----------|------------------|
| CL150         | 150      | 320              |
| CL300         | 300      | 260              |
| CL450         | 450      | 171              |
| CL600         | 600      | 116              |
| CL750         | 750      | 102              |
| CL900H        | 900      | 86               |

**Cantilever Bracket CL**



| Ordering Code | Length L | Load Capacity kg |
|---------------|----------|------------------|
| CLB320        | 320      | 445              |
| CLB470        | 470      | 376              |
| CLB635        | 635      | 338              |
| CLB780        | 780      | 279              |

**Cantilever Bracket CLB**



| Ordering Code | Length L | Load Capacity kg |
|---------------|----------|------------------|
| CLD300        | 300      | 610              |
| CLD450        | 450      | 506              |
| CLD600        | 600      | 372              |
| CLD750        | 750      | 259              |

**Cantilever Bracket CLD**

CHANNELS

NUTS & BOLTS

**CANTILEVER BRACKETS**

CHANNEL FITTINGS

LADDERTRAYS

CABLE MESH

STEEL LADDERS

ALUMINIUM LADDERS

FIRE RATED

COVERS

HYGROUND