



PV-ezRack Product Catalogue



Clenergy is proud to support its customers and is committed to making the world a cleaner and safer place for future generations.

Introduction

With its genesis in Australia and foot print across the world, Clenergy has grown from being a boutique solar solutions provider into a passionate, globally renowned renewable energy company with nearly 400 employees and offices across four continents.

Clenergy's products and services have become synonymous with quality and innovation, delivering a wide range of solutions to industry.

Our mounting systems are universally recognised for their high quality, innovative design and ease of deployment. The service at Clenergy is renowned for being friendly, reliable and professional.

To drive continual improvement we invest heavily in research, development, service, our people and partners. It is this approach that makes Clenergy a trusted company with a reputation as the passionate expert in the renewable energy sector.

Clenergy is committed to delivering a wide range of products and services: local expert staff answer your questions, local logistic companies deliver our products and local engineers ensure that every regulation is fully complied with. Our partners rely on our expertise; support and experience before, during and after the installation, so you can rest assured that when you partner with Clenergy you've made the right decision.

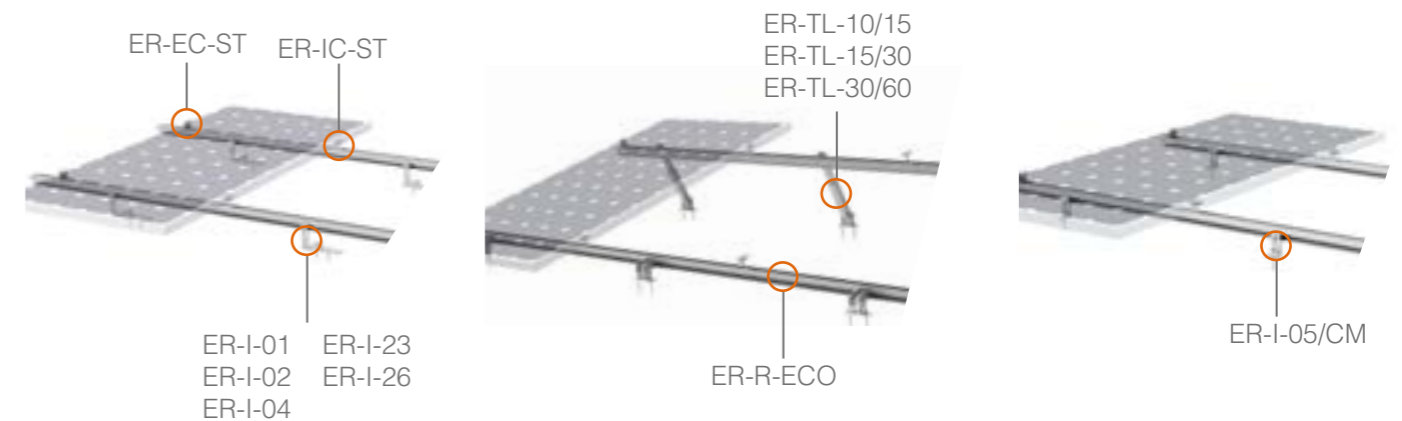
Content

| | |
|---------------------------------|----|
| PV-ezRack SolarRoof | 01 |
| PV-ezRack ThinFilm | 06 |
| PV-ezRack SolarTripod | 08 |
| PV-ezRack SolarTripod Lite | 10 |
| PV-ezRack SolarBase | 12 |
| PV-ezRack SolarBase East-West | 14 |
| PV-ezRack Commercial Tilt | 16 |
| PV-ezRack SolarTerrace II-A | 18 |
| PV-ezRack SolarTerrace III-A | 21 |
| PV-ezRack PostMount 1-A and 4-A | 23 |
| PV-ezRack PostMount 6-A and 8-A | 25 |
| PV-ezRack ezShade | 27 |
| PV-ezRack SolarTerrace V | 29 |
| Accessories | 31 |
| Warranty PV-ezRack | 35 |

PV-ezRack SolarRoof

Reliable, robust roof mounting system with high quality components designed for the harshest conditions.

PV-ezRack SolarRoof has been developed for residential PV installations on tin and tile roofs. The components are easy to install and can be used for flush as well as tilted systems, on a large variety of roof types. The interfaces, rails and clamps use high quality, robust and corrosion resistant materials including structural grade aluminium alloy (AL6005-T5) and stainless steel (SUS304).



Main Benefits

Quick and easy installation

Innovative and internationally patented, the Z-Module and Click Module technology are used in almost all SolarRoof components. The Z-Module and Click Module quick provide easy and safe installation method. They can be inserted into the rail at any given point, and secured with just two or three hand grips.

Versatility

A large variety of roof hooks, tin roof fixings, tilt legs and adapters help ensure that you will find a suitable fixing method for almost every roof, where fixing with penetration is required.

Wide range of tilting

With three adjustable tilt legs, these parts can tilt panels from between 10-60 degrees. Through its innovative design, the tilt legs can cope with all common purlin distances.

Universal

SolarRoof has suitable inter and end clamps for every size of solar panel including frameless, thin film panels or special clamps for cyclonic regions. In the growing range of clamps, cable clips, adapters and accessories you are sure to find the parts you require for your residential rooftop mounting needs.

10 Year
Warranty*

Commercial

Residential

Available accessories

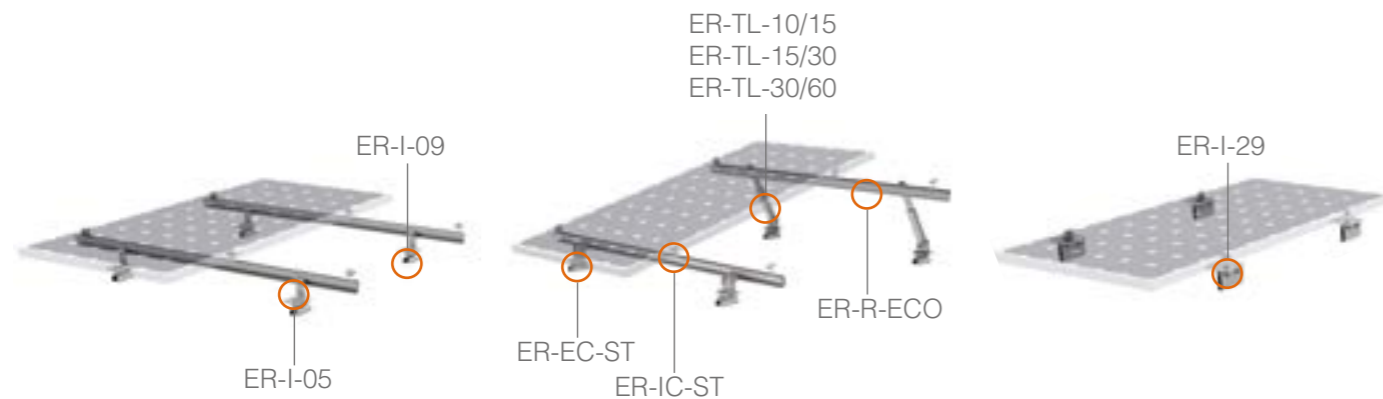
Grounding/earthing
Cable clips
Rail caps
Isolator Bracket

PV-ezRack SolarRoof

Non-penetrative

Reliable, robust roof mounting system with high quality components designed for concealed-fix roof claddings (Klip-lok, Longline).

To achieve and maintain improved watertightness of solar installations on Klip-lok type tin roofs, PV-ezRack SolarRoof has been expanded with a range of non-penetrative brackets. Rigorous testing on real size roofing sheets ensures safety, compliance and structural integrity of the PV-installations. As a result, the Klip-lok type brackets can be used for installing flush to the roof as well as for tilted systems.



Main Benefits

No roof penetration

Watertightness is easily maintained with the SolarRoof clamps for concealed fix roofs, as there is no need for roof penetration. With Clenergy's thorough testing methods, this is made possible without any compromises on safety or structural integrity.

Versatility

The non-penetrative clamps can be used for flush installations as well as for tilting. The two fixing methods for flush mounting include direct mounting (no rails) and bracket plus L-feet (with rails). For tilted systems, the adjustable tilt legs or SolarTripod can be used directly on the compatible non-penetrative clamps.

Quick and easy installation

Innovative and internationally patented, the Z-Module and Click Module technology are used in almost all SolarRoof components. The Z-Module and Click Module quick provide easy and safe installation method. They can be inserted into the rail at any given point, and secured with just two or three hand grips.

Available accessories
Grounding/earthing
Cable clips
Rail caps
Isolator Bracket

10 Year
Warranty*

Commercial

Residential

PV-ezRack SolarRoof

ER-I-01



Tile Interface

- Tile Roof Hook 1
- Z-Module
- Washer 8mm(5/16")
- Lock washer 8mm (5/16") A2
- Hex Socket Head Bolt M8 x 25mm (5/16" x 63/64") 933 A2-70
- Buildex 14-10 x 50 Hex Head Zips screw

ER-I-01/EZC/ECO



Tile Interface with ezClick connection for ECO-Rail

- Tile Roof Hook1
- Clamp 1 for ECO Rail
- Clamp 2 for ECO Rail
- ezClip Spring
- Lock washer M8*18
- Hexagon socket head cap screw M8*28
- Buildex 14-10 x 50 Hex Head Zips screw

ER-I-01/CS



Tile Interface, Carbon Steel

- Tile Roof Hook1 (Carbon Steel)
- Z Module
- Washer 8
- Lock washer M8
- Hexagon socket head cap screw M8*25
- Buildex 14-10 x 50 Hex Head Zips screw

ER-I-02



Flat Tile Interface

- Flat Tile Roof Hook
- Z-Module
- Washer 8mm(5/16")
- Lock Washer 8mm (5/16") A2
- Hex Socket Head Bolt M8x25mm (5/16" x 63/64")
- Buildex 14-10 x 50 Hex Head Zips screw

ER-I-04



Slate Interface

- Slate Roof Hook
- Z-Module
- Washer 8mm (5/16")
- Lock Washer 8mm (5/16") A2
- Hex Socket Head Bolt M8 x 25mm (5/16" x 63/64")
- Buildex 14-10 x 50 Hex Head Zips screw

ER-I-23



Tile Interface - Landscape

- Tile Roof Hook 3
- Z-Module
- Washer 8 (5/16") DIN 9021 A2
- Lock Washer 8mm (5/16") A2
- Hex Socket Head Bolt M8x25mm (5/16" x 63/64") 933 A2-70
- Buildex 14-10 x 50 Hex Head Zips screw

ER-I-26



Tile Interface - Side Mount

- Tile Roof Hook 2
- Z-Module
- Washer 8mm (5/16")
- Lock Washer 8mm (5/16")
- Hex Socket Head Bolt M8 x 25mm (5/16" x 63/64")
- Buildex 14-10 x 50 Hex Head Zips screw

ER-I-51



Tile Interface, 118mm horizontal arm, with BX screw 6.3*50

- Tile Roof Hook with 118mm horizontal arm
- Z Module (Anodized)
- Washer 8
- Lock washer M8*18
- Hexagon socket head cap screw M8*25
- Buildex 14-10 x 50 Hex Head Zips screw

ER-I-05
ER-I-05/BA



Tin Interface

- Tin Roof Hook
- Rubber Pad
- Z-Module
- Washer 8mm (5/16")
- Lock Washer 8mm (5/16") A2
- Hex Socket Head Bolt M8 x 28mm (5/16" x 1 1/8")
- Buildex 14-11 x 70 Hex Head Zips screw

PV-ezRack SolarRoof

ER-I-05/CM



Tin Interface with Click Module Assembly

- Tin Roof Hook
- Rubber Pad 38*38*2
- Main Click Module
- Side Click Module
- Washer 8
- Lock Washer M8*18
- Hexagon socket head cap screw M8*28
- Buildex 14-11 x 70 Hex Head Zips screw

EZ-AD-C43



Adapter (Puck) for Corrugated Iron Roof, with EPDM, for Tin Interface ER-I-05

ER-I-29/AU



Klip-lok Interface for LONGLINE 305

- Main Hook for Klip-lok Interface for longline 305
- Side Hook for Klip-lok Interface for longline 305
- Rubber Pad for Klip-lok Interface for longline 305
- Hexagon Socket bolt M8 x 30mm (5/16" x 1-3/16")
- Washer M8
- Flat Washer M8

ER-I-32/AU



Klip-lok Interface 406 with U-opening

- Main Hook for Klip-lok Interface 406 with U-opening
- Side Hook for Klip-lok Interface 406 with U-opening
- Rubber Pad 55*100*2
- Washer 8
- Hexagon socket head cap screw M8*25

ER-I-05A/EZC/ECO



Tin Interface A with ezClick connection for ECO-Rail

- Tin Roof Hook A
- Rubber Pad 38*38*2
- Clamp 1 for ECO Rail
- Clamp 2 for ECO Rail
- ezClip Spring
- Lock washer M8*18
- Hexagon socket head cap screw M8*28
- Buildex 14-11 x 70 Hex Head Zips screw

ER-I-09



Klip Lok Interface 400-700HS

- Main Hook
- Side Hook
- Hex Socket Head Bolt M8 x 25mm (5/16" x 63/64")
- Lock Washer 8.4mm (5/16")
- Washer 8 (5/16")
- Rubber pad
- Suitable for:
 - KLIP-LOK 700
 - KLIP-LOK 406
 - KingKlip
 - Speed Deck Ultra
 - Topdek 700

ER-I-34



Universal Klip-lok Interface

- Main Hook of Universal Klip-lok Interface
- Side Hook of Universal Klip-lok Interface
- Hexagon Socket head cap Screw M8*80
- Hexagon Socket head cap Screw M8*25
- Washer M8
- Flat Washer 8
- Hexagon nut M8

ER-I-25



Tin Interface with Curved Base for Corrugated Roof (Z Module + Bolt + Universal Screw)

- L-shaped Corrugated Tin Feet Base
- Rubber Pad 53*40*2
- Z Module (Anodized)
- Washer 8
- Lock washer M8*18
- Hexagon socket head cap screw M8*28
- Buildex 14-11 x 70 Hex Head Zips screw

ER-I-09/100/45



Klip-lok Interface 400-700 with 100x45mm plate

- Main Hook for klip-lok interface 400-700HS, L100*45
- Side Hook for klip-lok interface 400-700HS, L100
- Rubber Pad 65*100*2
- Hexagon socket head cap screw M8*25
- Washer 8
- Plain Washer 8

ER-TL-10/15 ER-TL-10/15/BA



Tilt Legs, adjustable 10/15 degree

- Front Leg Bracket 53.3*38.4*39.5
- Fix foot II 105*40*59.3
- L-feet 40*40*55
- Leg Strug II-220
- Leg Tube II-220
- Corrugated shim 52*32*11.8
- Z Module
- Buildex 14-11 x 70 Hex Head Zips screw
- Hexagon socket head cap screw M8*25
- Hexagon socket head cap screw M8*28
- Hexagon socket head cap screw M8*45
- Hexagon socket head cap screw M8*65
- Hexagon nut M8
- Washer 8
- Set screw M10*12
- Rubber Pad 40*25*2

PV-ezRack SolarRoof

ER-TL-15/30 ER-TL-15/30/BA



Tilt Legs, adjustable 15/30 degree

- Front Leg Bracket 53.3*38.4*39.5
- Fix foot II 105*40*59.3
- L-feet 40*40*55
- Leg Strug II-350
- Leg Tube II-350
- Corrugated shim 52*32*11.8
- Z Module
- Buildex 14-11 x 70 Hex Head Zips screw
- Hexagon socket head cap screw M8*25
- Hexagon socket head cap screw M8*28
- Hexagon socket head cap screw M8*45
- Hexagon socket head cap screw M8*65
- Hexagon nut M8
- Washer 8
- Set screw M10*12
- Rubber Pad 40*25*2

C-U/30/46-G C-U/30/46-G/BA



Universal Clamp for Frame Height 30-46mm with Grounding Clip

- Universal Clamp
- Module for Universal Clamp
- Grounding Clip for Universal Clamp
- Hexagon socket button head screw M8*55
- Washer 8
- ezClip Spring

ER-EC-DU35/40



End Clamp, Dual 35 or 40mm

- End Clamp, Dual 35 or 40mm
- Z Module (Anodized)
- Washer 8
- Hexagon socket head cap screw M8*35

ER-EC-DU40/46



End Clamp, Dual 40 or 46mm

- End Clamp, Dual 40 or 46mm
- Z Module (Anodized)
- Washer 8
- Hexagon socket head cap screw M8*35

ER-TL-30/60



Tilt Legs, adjustable 30/60 degree

- Front Leg Bracket 53.3*38.4*39.5
- Fix foot II 105*40*59.3
- L-feet 40*40*55
- Leg Strug II-635
- Leg Tube II-635
- Corrugated shim 52*32*11.8
- Z Module
- Buildex 14-11 x 70 Hex Head Zips screw
- Hexagon socket head cap screw M8*25
- Hexagon socket head cap screw M8*28
- Hexagon socket head cap screw M8*45
- Hexagon socket head cap screw M8*65
- Hexagon nut M8
- Washer 8
- Set screw M10*12
- Rubber Pad 40*25*2

C-U/30/46 C-U/30/46/BA



Universal Clamp for Frame Height 30-46mm

- Universal Clamp
- Module for Universal Clamp
- Hexagon Socket Button Head Screw M8*55
- Washer 8
- Spring for Universal Clamp

ER-EC-ST ER-EC-ST/BA



End Clamp, Standard

- End Module Clamp 28mm (1-7/64") 30mm (1-3/16") 32mm (1-17/64") 35mm (1-3/8") 38mm (1-1/2") 40mm (1-37/64") 42mm (1-21/32") 46mm (1-13/16") 48mm (1-57/64") 50mm (1-31/32") 57mm (2-1/4")
- Z-Module
- Hex Socket Head Bolt A2-70 M8 x 28mm (5/16" x 1-1/10")
- Lock Washer 8.4mm (21/64")

ER-R-ECO ER-R-ECO/BA



ECO Rail

- With a standard lengths of 2100mm (8' 4-25/32"), 3150mm (10' 4-1/64") 4200mm (13' 9-23/64")

ER-SP-ECO ER-SP-ECO/BA



Splice for ECO Rail

- Splice with a standard length of 200mm (7/8")
- Hex Socket Head Bolt M8 x 18mm (5/16" x 45/64")

ER-IC-ST ER-IC-ST/BA



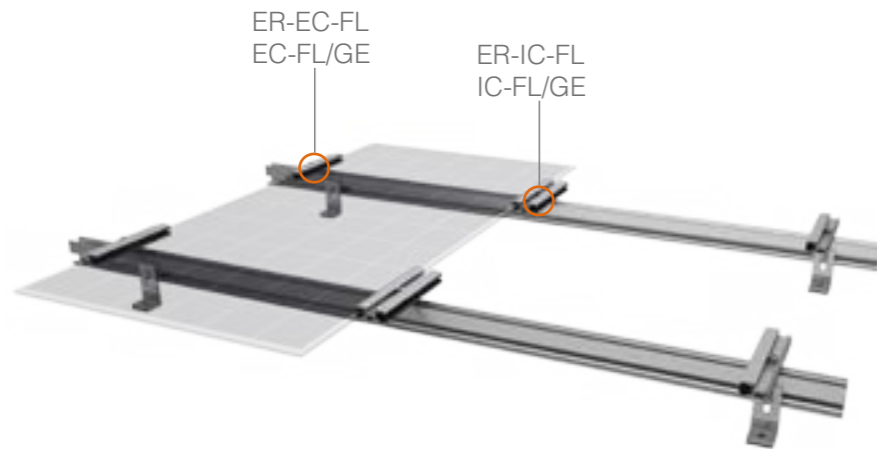
Inter Clamp, Standard

- Inter Module Clamp 28mm (1-7/64"), 35mm (1-3/8"), 40mm (1-37/64"), 46mm (1-13/16"), 50mm (1-31/32"), 57mm (2-1/4")
- 28mm (1-7/64") with Hex Socket Head Bolt A2-70 M8x40mm (5/16" x 1-37/64")
- 35mm (1-3/8") with Hex Socket Head Bolt A2-70 M8x45mm (5/16" x 1-49/64")
- 40mm (1-37/64") with Hex Socket Head Bolt A2-70 M8x50mm (5/16" x 1-31/32")
- 46mm (1-13/16") with Hex Socket Head Bolt A2-70 M8x55mm (5/16" x 2-11/64")
- 50mm (1-31/32") with Hex Socket Head Bolt A2-70 M8x60mm (5/16" x 2-23/64")
- 57mm (2-1/4") with Hex Socket Head Bolt A2-70 M8x70mm (5/16" x 2-3/4")
- Z-Module
- Lock Washer 8.4mm (21/64")

PV-ezRack ThinFilm

Designed for thin film and frameless or double glass PV-panels

Clenergy clamps for frameless panels are suitable for most thin film and most frameless or double glass PV-panels. Furthermore the clamps are compatible with all PV-ezRack rails for roof and ground mount installations.



Available accessories
 Grounding/earthing
 Cable clips
 Cable trays
 Rail caps

Clamps for frameless panels approved by



10 Year Warranty*

Commercial

Residential

PV-ezRack ThinFilm

ER-IC-FL/5



Inter Clamp for 5mm Frameless Module, Length 80, 100, 120, 130, 150, 200 and 250mm

- 5mm Frameless Module Inter Clamp-Upper part
- 5mm Frameless Module Inter Clamp-Lower part
- Upper Rubber Mat
- Below Rubber Mat
- Washer 8
- Hexagon Socket Head Cap Screw M8 x 30mm
- Z-Module

ER-EC-FL/5



End Clamp for 5mm Frameless Module, Length 80,120,150 and 200mm

- 5mm Frameless Module End clamp-Upper part
- 5mm Frameless Module End clamp-Lower part
- Upper Rubber Mat
- Below Rubber Mat
- Washer 8
- Hexagon Socket Head Cap Screw M8 x 30mm
- Z-Module

ER-IC-FL/6.8



Inter Clamp for 6.8mm Frameless Module, Length 80,120,150 and 200mm

- 6.8mm Frameless Module Inter Clamp-Upper part
- 6.8mm Frameless Module Inter Clamp-Lower part
- Upper Rubber Mat
- Below Rubber Mat
- Washer 8
- Hexagon Socket Head Cap Screw M8 x 35mm
- Z-Module

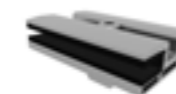
ER-EC-FL/6.8



End Clamp for 6.8mm Frameless Module, Length 80,120,150 and 200mm

- 6.8mm Frameless Module End clamp-Upper part
- 6.8mm Frameless Module End clamp-Lower part
- Upper Rubber Mat
- Below Rubber Mat
- Washer 8
- Hexagon Socket Head Cap Screw M8 x 35mm
- Z-Module

IC-FL/GE/6



Inter Clamp for 6mm Frameless Module (glued EPDM), Length 80mm, 120mm, 150mm, 200mm

- Frameless Module (glued EPDM) Inter clamp-Upper part
- Frameless Module (glued EPDM) Inter clamp-Lower part
- Up Rubber Mat for Frameless module clamp (glued EPDM)
- Below Rubber Mat for Frameless module clamp (glued EPDM)
- Plain washer SUS304, 1mm
- Washer 8
- Hexagon socket head cap screw M8*30
- Z Module 2

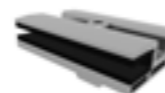
EC-FL/GE/6



End Clamp for 6mm Frameless Module (glued EPDM), Length 80mm, 120mm, 150mm, 200mm

- Frameless Module (glued EPDM) End clamp-Upper part
- Frameless Module (glued EPDM) End clamp-Lower part
- Up Rubber Mat for Frameless module clamp (glued EPDM)
- Below Rubber Mat for Frameless module clamp (glued EPDM)
- Plain washer SUS304, 1mm
- Washer 8
- Hexagon socket head cap screw M8*30
- Z Module 2

IC-FL/GE/6.8



Inter Clamp for 6.8mm Frameless Module (glued EPDM), Length 80mm, 120mm, 150mm, 200mm

- Frameless Module (glued EPDM) Inter clamp-Upper part
- Frameless Module (glued EPDM) Inter clamp-Lower part
- Up Rubber Mat for Frameless module clamp (glued EPDM)
- Below Rubber Mat for Frameless module clamp (glued EPDM)
- Plain washer SUS304, 1.8mm
- Washer 8
- Hexagon socket head cap screw M8*30
- Z Module 2

EC-FL/GE/6.8



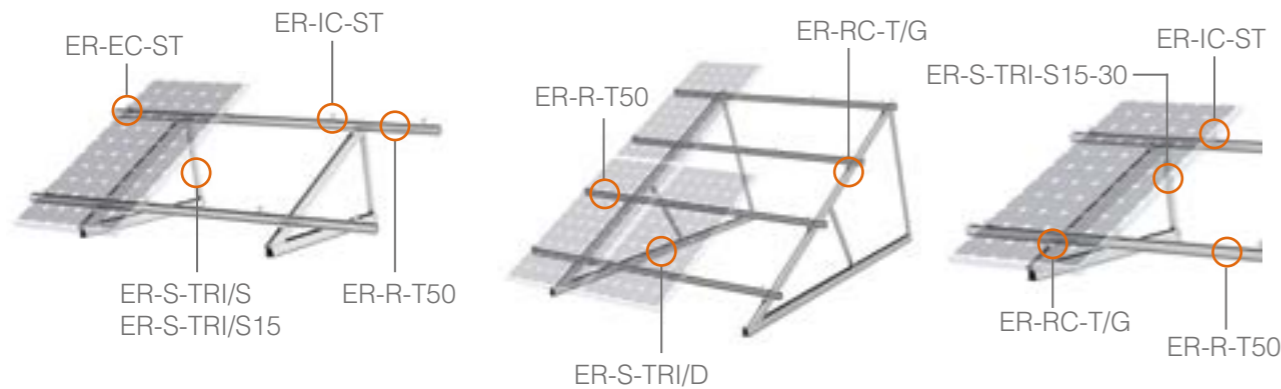
End Clamp for 6.8mm Frameless Module (glued EPDM), Length 80mm, 120mm, 150mm, 200mm

- Frameless Module (glued EPDM) End clamp-Upper part
- Frameless Module (glued EPDM) End clamp-Lower part
- Up Rubber Mat for Frameless module clamp (glued EPDM)
- Below Rubber Mat for Frameless module clamp (glued EPDM)
- Plain washer SUS304, 1.8mm
- Washer 8
- Hexagon socket head cap screw M8*30
- Z Module 2

PV-ezRack SolarTripod

Tilted flat roof frame designed for commercial installations

PV-ezRack SolarTripod is designed for commercial PV-installations on flat roofs with tilted panels in portrait orientation. The supports are available in fix and adjustable tilt angles, in addition they are compatible with a wide range of purlin distances. The components are made entirely of structural grade (AL6005-T5) anodised aluminium and stainless steel. SolarTripod is available in two designs: single and double row panels.



Main Benefits

Quick installation

Completely pre-assembled, the SolarTripod supports simply need to be unfolded and secured to the roof structure for installation. For most installations the legs require only 2 fixing points each and the rails can overcome large spans. All these features result in a fast, easy and cost efficient installation, crucial for commercial projects.

Suitable for corrosive environments

As the materials used in this product are stainless steel (SUS304) and 10µm anodised aluminium it can be installed even in the harshest corrosive environments.

Maximising installation size and output on small roofs

The DoubleTripod has two rows of PV-panels in portrait orientation. This allows you to perfectly utilise narrow roof sections while doubling the installation size and output, where you would normally only be able to fit one row of panels.

Simplicity

Bill of materials can be confusing and complicated. On a basic BOM for SolarTripod you will only find 6 components, keeping it simple and transparent for all parties to better understand and work with the product.

10 Year
Warranty*

Commercial

Residential

Available accessories

Grounding/earthing
Cable clips
Cable trays
Rail caps

PV-ezRack SolarTripod

ER-S-TRI/S



Support Single Tripod

- M10mm (25/64")
- Base Support 70*1350
- Upper Support 75*1350
- Tripod, Al-Tube 10°
- 15°
- 20°
- 25°
- 30°
- Tripod U Bracket
- Hexagon socket head cap screw M10*65
- Hexagon nut M10
- Washer 10
- Plain washer 10
- Bushing Φ18.5*35.5

ER-R-T50



T-Rail 50

- With a standard lengths of 2560mm (8' 4-25/32")
- 3405mm (11' 2-1/16")
- 4200mm (13' 9-23/64")

ER-IC-ST



Inter Clamp, Standard

- Inter Module Clamp 28mm (1-7/64"), 35mm (1-3/8"), 40mm (1-37/64"), 46mm (1-13/16"), 50mm (1-31/32"), 57mm (2-1/4")
- 28mm (1-7/64") with Hex Socket Head Bolt A2-70 M8x40mm (5/16" x 1-37/64")
- 35mm (1-3/8") with Hex Socket Head Bolt A2-70 M8x45mm (5/16" x 1-37/65")
- 40mm (1-37/64") with Hex Socket Head Bolt A2-70 M8x50mm (5/16" x 2-10/64")
- 46mm (1-13/16") with Hex Socket Head Bolt A2-70 M8x55mm (5/16" x 2-11/64")
- 50mm (1-31/32") with Hex Socket Head Bolt A2-70 M8x60mm (5/16" x 2-5/3")
- 57mm (2-1/4") with Hex Socket Head Bolt A2-70 M8x70mm (5/16" x 2-3/4")
- Z-Module
- Lock Washer 8.4mm (21/64")

ER-S-TRI/D



Support Double Tripod

- Base Support 70*3000
- Upper Support 75*3000
- Tripod, Al-Tube 10°
- 15°
- 20°
- 25°
- 30°
- Tripod U Bracket
- Hexagon socket head cap screw M10*65
- Hexagon nut M10
- Washer 10
- Plain washer 10
- Bushing Φ18.5*35.5

ER-SP-T50



Splice for T-Rail 50

- S splice with standard length of 300mm (11-13/16")
- Self-Tapping Screw ST6.3x22 (1/4" x 55/64")

ER-EC-ST



Inter Clamp, Standard

- End Module Clamp 28mm (1-7/64"), 30mm (1-3/16"), 32mm (1-17/64"), 35mm (1-3/8"), 38mm (1-1/2"), 40mm (1-37/64"), 42mm (1-21/32"), 46mm (1-13/16"), 48mm (1-57/64"), 50mm (1-31/32"), 57mm (2-1/4")
- Z-Module
- Hex Socket Head Bolt A2-70 M8 x 28mm (5/16" x 1-1/10")
- Lock Washer 8.4mm (21/64")

ER-S-TRI/S15-30



Adjustable Tripod

- Base Support 70*1350
- Upper Support 75*1250
- Leg Tube-358
- Leg Strug-348
- Bushing
- Double-Fixed Block(Anodized)
- Set screw M8*12
- Hexagon Socket bolt M10*65
- Hex nut M10
- Washer 10
- Flat washer 10
- U Bracket
- Bushing Φ18.5*35.5

ER-RC-T/G



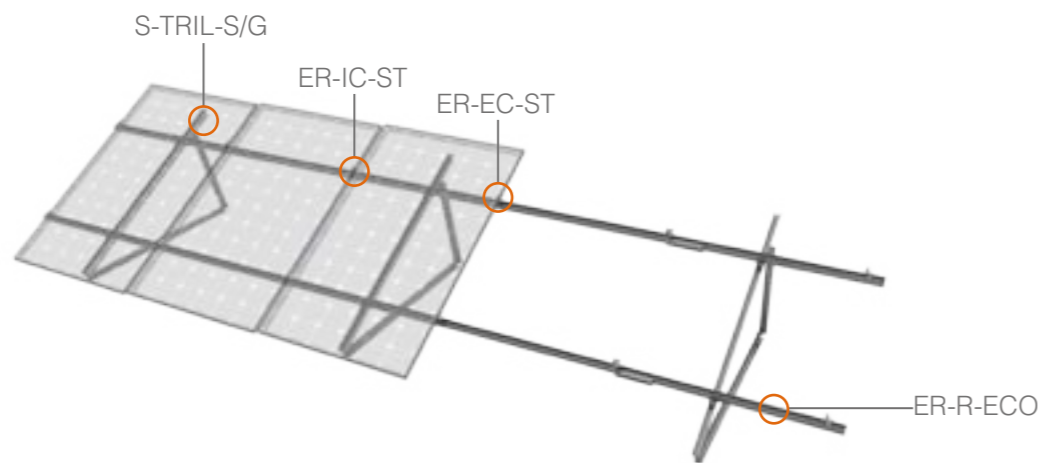
Rail Clamp for T-Rail with grounding/earthing pins

- Rail Clamp with pins 50 x 30 x 11.8mm (1-31/32" x 1-3/16" x 15/32")
- Hex Socket Head Bolt M8 x 30mm (5/16" x 1-3/16")
- Spring Washer M8 (5/16")
- Z-Module

PV-ezRack SolarTripod Lite with Grounding Rail Clamp

Pre-assembled residential and commercial flat roof mounting system

The PV-ezRack SolarTripod Lite with pre-assembled Supports, including pre-installed Rail Clamps, is an economical mounting system, which is suitable for residential and commercial flat roofs. It has one of the fastest installation speed in its class. This system is manufactured from structural grade aluminium alloy to ensure excellent corrosion resistance and light weight.



Main Benefits

Fast and easy Installation

The Tripod supports are delivered with pre-set tilt angles, pre-assembled, which include the Rail Clamps pre-installed at the right position. This allows a quick and easy installation.

Cost Reduction

The combination of simple L-Shaped aluminium profiles with Z-Module channels in the support and the optimised ECO-Rail results in cost reduction without compromise in structural integrity.

Grounding/Earthing Function

The Rail clamps include the earthing pins, which provide continuity between rail and support. On the ECO-Rail the standard earthing clips and lugs can be used.

Universal application

Standardised components are suitable for 60cell as well as for 72cell panels with the base length of 1350mm or 1700mm and with the tilt angle of 15° or 30°. Customised lengths and tilt angles are available on order.

10 Year
Warranty*

Commercial

Residential

Available accessories

Grounding/earthing
Cable clips
Rail caps

PV-ezRack SolarTripod Lite with Grounding Rail Clamp

S-TRIL-S/G



Support for SolarTripod single Rail clamps pre-assembled

- Base support
- Upper support
- Base support 1350 1700
- Upper support 1500 1700
- Back support 15°
- Back support 30°
- Flat Bar 30*9 (Washer)
- Hexagonal Bolt M8*25
- Hexagonal Bolt M8*30
- Hexagon nut M8
- Washer 8
- Plain washer 8
- Grounding Rail Clamp for ECO Rail
- Z-Module
- Hexagon socket head cap screw M8*30

ER-RC-T/G



Rail Clamp for T-Rail with grounding/earthing pins

- Rail Clamp with pins 50 x 30 x 11.8mm (1-31/32" x 1-3/16" x 15/32")
- Hex Socket Head Bolt M8 x 30mm (5/16" x 1-3/16")
- Spring Washer M8 (5/16")
- Z-Module

ER-R-ECO



ECO-Rail

- With a standard length of 4200mm 3150mm 2100mm

ER-IC-ST



Inter Clamp, Standard

- Inter Module Clamp 28mm (1-7/64"), 35mm (1-3/8"), 40mm (1-37/64"), 46mm (1-13/16"), 50mm (1-31/32"), 57mm (2-1/4")
- 28mm (1-7/64") with Hex Socket Head Bolt A2-70 M8x40mm (5/16" x 1-37/64")
- 35mm (1-3/8") with Hex Socket Head Bolt A2-70 M8x45mm (5/16" x 1-49/64")
- 40mm (1-37/64") with Hex Socket Head Bolt A2-70 M8x50mm (5/16" x 1-31/32")
- 46mm (1-13/16") with Hex Socket Head Bolt A2-70 M8x55mm (5/16" x 2-11/64")
- 50mm (1-31/32") with Hex Socket Head Bolt A2-70 M8x60mm (5/16" x 2-23/64")
- 57mm (2-1/4") with Hex Socket Head Bolt A2-70 M8x70mm (5/16" x 2-3/4")
- Z-Module
- Lock Washer 8.4mm (21/64")

ER-SP-ECO



Splice for ECO Rail

- Splice with a standard length of 200mm
- Hexagon socket head cap screw M8*12mm

ER-EC-ST



PV-ezRack End Clamp

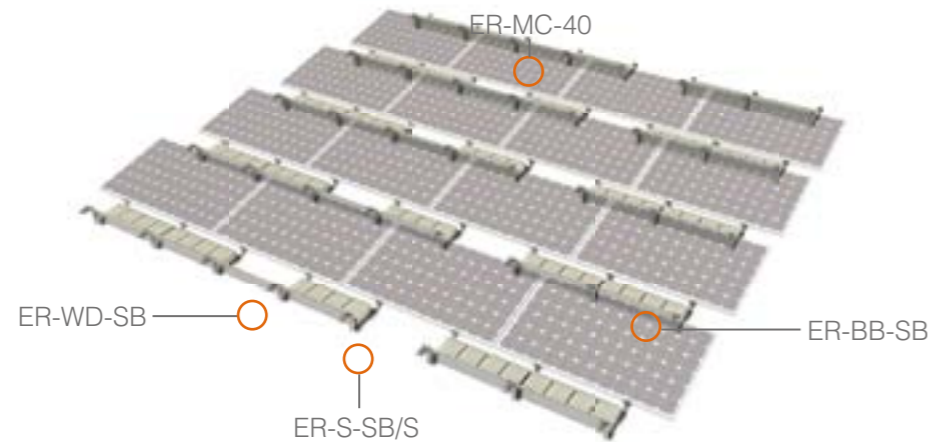
- End Clamp (full or half anodized in silver grey or black available) 28mm 30mm 32mm 35mm 38mm 40mm 42mm 45mm 46mm 48mm 50mm 55mm 57mm
- Z-Module
- Hex Socket Head Cap Screw M8 x28mm
- Lock Washer 8mm

PV-ezRack SolarBase

Designed for commercial installations

Clenergy's low ballast roof system is specifically designed for installation of commercial roof photovoltaic systems. Highly-efficient design greatly simplifies installation, and optimal use of available space.

Designed to be used as a non-penetrative, low-ballast mounting system can also be adapted to be positively fixed to roofs where required.



Main Benefits

Convenient installation

The pre-assembled support leg with convenient and firm buckle design and simple bolt fixation saves installation time and cost for installers.

Advanced design

The design of ballast and wind deflector effectively increases the stability of the photovoltaic system. The rubber pad underneath the support leg raises the whole system from the roof surface for water draining, helps to prevent corrosion and avoids damaging the roof membrane. The innovative curved structure design integrates elegance & strength. This efficient design not only reduces materials and cost but still guarantees system strength & durability.

Strict quality control

Clenergy conducts strict quality management and control of raw materials, purchasing and production process to guarantee structural integrity and service life of its manufactured systems.

Maximized compatibility

Low-ballast, flat-roof system is compatible with most framed solar modules. The arrangement of arrays is very flexible, which maximizes power generation. Roof objects (air-con units, roof-lights, etc.) can be easily accommodated.

10 Year
Warranty*

Commercial

Residential

Available

accessories

Grounding/earthing
Cable clips

PV-ezRack SolarBase

ER-MC-40



Module Clamp (aluminum)

- PV-ezRack , Module Clamp 40 mm
- 40 Rim Clamp L35mm AL6005-T5
- Hexagon Socket bolt M8*25mm SUS304

ER-BB-SB



Ballast bar (galvanized steel)

- PV-ezRack Ballast Bar for SolarBase, L900mm
- ballast Bar, L900*40*T3.0mm Q235B
- Hexagon nut M8mm SUS304
- Washer 8mm SUS304
- Plain washer large 8*24mm SUS304

ER-WD-SB



Wind Deflector (2 options: aluminium or galvanized steel)

- PV-ezRack Wind Deflector for SolarBase, 10°
- Wind Deflectors 10 degree, 1700*195.8*263.6mm, aluminum AL/5052-H32
- U bolts M8*58mm Q235B
- Hexagon nut M8mm SUS304
- Washer 8mm SUS304
- Plain washer 8mm SUS304
- Fixing plate for Wind Deflectors, 120*38.1*3.5mm AL6005-T5

ER-S-SB/S



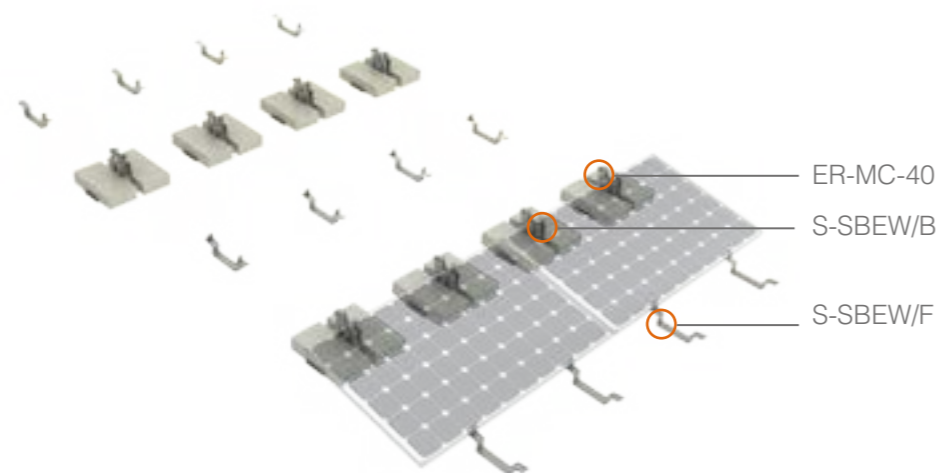
Support Leg (galvanized steel)

- PV-ezRack Support Leg for SolarBase, 10°
- Support leg 579.9*40*269.6mm Q235
- Module Frame Front Mounting Clip 74.5*62*45mm AL6005-T5
- Hexagon socket head cap screw M8*75mm SUS304
- Hexagon nut M8mm SUS304
- Module Frame Back Mounting Clip 91*52*36.6mm AL6005-T5
- Hexagon socket head cap screw M8*35mm SUS304
- Washer 8mm SUS304
- Plain washer 8mm SUS304
- Cup head square neck bolts M8*45mm SUS304
- Bushing \varnothing 18.5*20mm AL6005-T5
- O rubber rings \varnothing 12*3mm EPDM
- Rubber Pad for leg 80*60*25mm EPDM

PV-ezRack SolarBase East-West

Commercial flat roof mounting system

PV-ezRack SolarBase East-West is our new generation flat roof mounting system. Conventional wisdom is to face solar modules North but PV-ezRack SolarBase East-West offers some powerful advantages. East-West smooth's the supply of power during the day, starting earlier and finishing later, so that more or all of the power generated is consumed on site. With no shading between rows 40% extra modules can be installed. Galvanized steel and anodized aluminium material ensures it is robust, cost-effective and has long lasting weather-resistance.



Main Benefits

Easy and fast installation

- Only three components, supplied in 1 kWp kits for minimal storage space.
- Simple design for straight forward assembly.
- Flat roof protection pre-fitted.
- Aerodynamic design reduces ballast.
- Pre-assembled front and back support legs and buckle design largely reduces installation time.

Outstanding performance

- Fit 40% more modules maximizing roof area with very flexible design options.
- Up to 30% higher yield per annum. Ideal for self-consumption due to smoother power curve over North facing arrays.
- Cost per kWp are lower than standard North facing flat roof arrays,
- Less ballast due to optimal aerodynamics.
- No wind deflectors.
- No rail design ensures rainwater flows away unimpeded.
- Surprisingly low price.
- 10 year warranty.

10 Year
Warranty*

Commercial

Residential

Available accessories

Grounding/earthing
Cable clips

PV-ezRack SolarBase East-West

ER-MC-40



Module Clamp 40 mm

- Module Clamp 40
- Hexagon Socket Bolt, M8*25mm

S-SBEW/F10/40



Front Support Leg, 10°

- Hexagon Socket Head Cap Screw , M8 x 35mm
- Washer 8
- Front Support Leg, 10°, 414 x 60 x 88.6mm
- Hex Nut M8
- Rubber Pad, 240 x 60 x 5mm
- Nut Fixed, 18 x 18 x 11mm
- End Clamp 40
- ezClip Spring

S-SBEW/B10



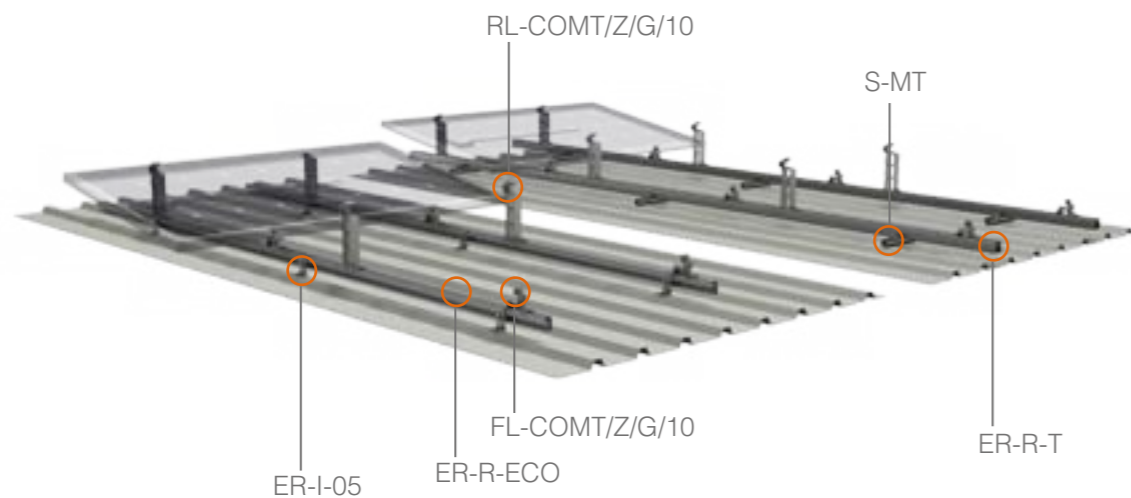
Back Support Leg, 10°

- Back Support Leg, 10°, 250.3 x 170 x 234mm
- Hexagon Socket Head Cap Screw, M8 x 35mm
- Bushing $\varnothing 18.5 \times 18$
- Rubber Pad For Solar Base East West leg, 240 x 170 x 5mm
- Hexagon Nut M8
- Washer 8
- Plain Washer 8
- Hexagon Socket Head cap screw M8 x 70mm
- Module Frame Front Mounting Clip II, 7 4.5 x 38 x 45mm

PV-ezRack Commercial Tilt

Tilt mounting system for PV Installation on commercial tin roof

The Clenergy PV-ezRack Commercial Tilt is a universal and fast mounting system for PV installation on all common commercial tin roofs. With its flexible and scalable design it enables perfect utilization of roof surface available. With tilt angles of 5°, 10° or 15°, the PV panels can generate a maximum output.



Main Benefits

Easy and quick installation

Highly pre-assembled legs enable easy and fast installation. With our patented Z-Module, the legs can easily click into the slot of Rails at any given points.

Optimize energy output

The Legs can mount PV panels that width up to 1100 mm. And with 5° (available soon), 10° and 15° (available soon) tilt angles options, PV-ezRack Commercial Tilt can offer optimized energy output.

Two Optional Solutions!

The solution using MT Rail in conjunction with T-Rails and Legs is specially developed for tin roofs with a large purlin span over 3 m. And the other one using our popular L-feet, ECO Rails and new Legs offers flexible height adjustable range.

Universal

The adjustable clamps can mount framed PV panels that height from 30 to 46 mm. And with Clenergy various frameless clamps, PV-ezRack Commercial Tilt can mount every size of frameless or thin film panels.

10 Year
Warranty*

Commercial

Residential

Available
accessories

Grounding/earthing
Cable clips

PV-ezRack Commercial Tilt

FL-COMT/Z/G/10



Front Leg Assembly, 10°, with Z-Module and Grounding Pins

- Commercial Tilt, front leg, 10°, with Grounding Pins
- Commercial Tilt, End Clamp
- Washer 8
- Flat Washer 8
- Hexagon socket head cap screw M8*25
- Hexagon socket head cap screw M8*40
- spring 10.2*30
- Z Module (Anodized)

RL-COMT/Z/G/10



Rear Leg Assembly, 10°, with Z-Module and Grounding Pins

- Commercial Tilt, Rear leg, 10°, with Grounding Pins
- Commercial Tilt, End Clamp
- Washer 8
- Flat Washer 8
- Hexagon socket head cap screw M8*25
- Hexagon socket head cap screw M8*40
- Hexagon socket head cap screw M8*40
- O rubber rings φ12*3
- Z Module (Anodized)

ER-R-ECO



ECO Rail

- Aluminium profile of ECO Rail

S-MT



MT-Rail Support, 240mm / 440mm

- MT-Rail 240mm/440mm
- Rubber Pad 40*25*2
- Buildex 14-11 x 70 Hex Head Zips screw

ER-RC-T/DM



Rail Clamp for T-Rail, with Diamond Module

- ezRack Rail Clamp for T-Rail
- Diamond module M8 (for SolarMatrix)
- Hexagon socket head cap screw M8*30
- Washer 8

ER-I-05



Tin Interface

- Tin Roof Hook
- Rubber Pad
- Z-Module
- Washer 8mm (5/16")
- Lock Washer 8mm (5/16") A2
- Hex Socket Head Bolt M8 x 28mm (5/16" x 1 1/8")
- Buildex 14-11 x 70 Hex Head Zips screw

ER-I-05/CM



Tin Interface with Click Module Assembly

- Tin Roof Hook
- Rubber Pad 38*38*2
- Main Click Module
- Side Click Module
- Washer 8
- Lock Washer M8*18
- Hexagon socket head cap screw M8*28
- Buildex 14-11 x 70 Hex Head Zips screw

ER-I-05A/EZC/ECO



Tin Interface A with ezClick connection for ECO-Rail

- Tin Roof Hook A
- Rubber Pad 38*38*2
- Clamp 1 for ECO Rail
- Clamp 2 for ECO Rail
- ezClip Spring
- Lock washer M8*18
- Hexagon socket head cap screw M8*28
- Buildex 14-11 x 70 Hex Head Zips screw

ER-I-25



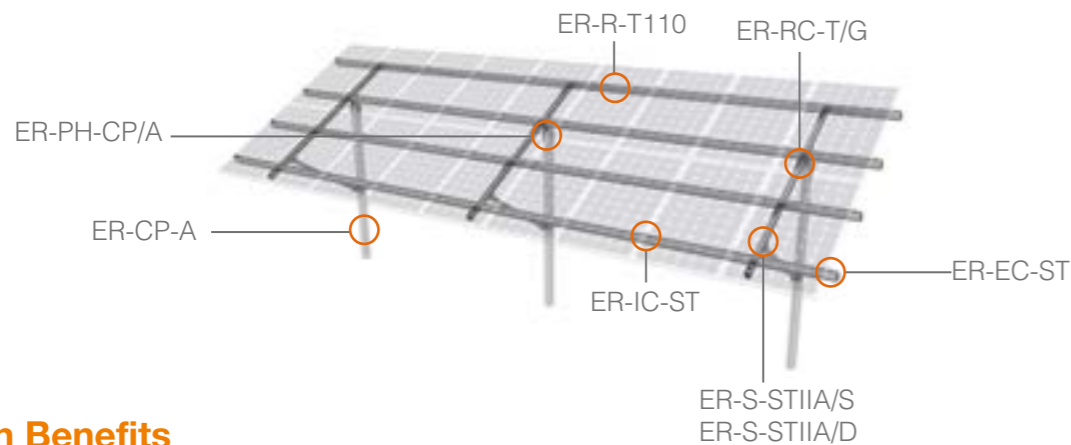
Tin Interface with Curved Base for Corrugated Roof (Z Module + Bolt + Universal Screw)

- L-shaped Corrugated Tin Feet Base
- Rubber Pad 53*40*2
- Z Module (Anodized)
- Washer 8
- Lock washer M8*18
- Hexagon socket head cap screw M8*28
- Buildex 14-11 x 70 Hex Head Zips screw

PV-ezRack SolarTerrace II-A

Pre-assembled, durable and earthed ground mount frame with ramming

PV-ezRack SolarTerrace II-A is a pre-assembled ground mount system with full earthing function suitable for commercial and utility scale installations. This quality frame is trimmed at every angle for fast deployment reducing labour costs. It was designed with a unique post profile which allows reduced embedment and therefore saves on material and labour. These features, combined with its high grade of pre-assembly make SolarTerrace II-A one of the best ground mount system you can find.



Main Benefits

Reduced labour costs

Through our unique, patented component design and pre-assembled supports with pre-installed positioning clamps** labour time and costs are greatly reduced.

Reduced component costs

Our unique C-Post was designed specifically for ramming. This results in an increased friction against up-lift and it therefore requires less embedment as conventional standard posts or I-beams, which reduces not only labour time for ramming but also material costs.

Wide range of adjustments

As ramming can never be done exact on millimetre the Post head is designed with sufficient horizontal rotation and vertical adjustments. This combined with a generous design tolerance levels makes it easy to get the panels perfectly aligned even if the ramming isn't 100%.

Full earthing function

With pre-fitted pressure bolts and star washers in post head, post brace and pre-assembled support, it can create earthing continuity from T rail to post. In this way, SolarTerrace II-A system is a full earthing system.

Available accessories

Grounding/earthing
Cable clips
Cable trays
Inverter/joint box bracket
Rail and Girder cap

10 Year
Warranty*

Utility

Commercial

PV-ezRack SolarTerrace II-A

ER-CP-A



C-Post

- Foundation C-Post 140 x 95 mm (5-37/64" x 3-47/64")

GE-STA/200



Girder Extension for SolarTerrace-A (II and III) 200mm

- Splice for Tri-Groove Square Girder
- Flange Facing Self-Tapping Screw (washer) ST6.3*22
- Alum profile of tri-groove Beam 200

ER-RC-T/G



Rail Clamp for T-Rail with grounding/earthing pins

- Rail Clamp with pins 50 x 30 x 11.8mm (1-31/32" x 1-3/16" x 15/32")
- Hex Socket Head Bolt M8 x 30 (5/16" x 1-3/16")
- Spring Washer M8 (5/16")
- Z-Module

ER-PH-CP/A



Post Head for C-Post

- Clasp AL/6005-T5
- V-Spring
- T-Head 142 x 170 x 127mm (5-19/32" x 6-11/16" x 5")
- T-Head Base 142 x 170 x 140.25mm (5-19/32" x 6-11/16" x 5-33/64")
- Hex Socket Head Bolt M12 x 35 (15/32" x 1-3/8")
- Hex Socket Head Bolt M12 x 130 (15/32" x 5-1/8")
- Flat Washer 12mm (15/32")
- Spring Washer 12mm (15/32")
- Hexagonal Nut

ER-R-T110



T-Rail 110

- T-Rail 65 x 110mm (2-9/16" x 4-21/64")
- Length from 2000mm (6' 6-47/24") to 6100mm (20' 5/32")
- Standard Lengths 4200mm (13' 9-23/64") and 5200mm (17' 23/32")

ER-IC-ST



Inter Clamp, Standard

- Inter Module Clamp 28mm (1-7/64"), 35mm (1-3/8"), 40mm (1-37/64"), 46mm (1-13/16"), 50mm (1-31/32"), 57mm (2-1/4")
- 28mm (1-7/64") with Hex Socket Head Bolt A2-70 M8x40mm (5/16" x 1-37/64")
- 35mm (1-3/8") with Hex Socket Head Bolt A2-70 M8x45mm (5/16" x 1-49/64")
- 40mm (1-37/64") with Hex Socket Head Bolt A2-70 M8x50mm (5/16" x 1-31/32")
- 46mm (1-13/16") with Hex Socket Head Bolt A2-70 M8x55mm (5/16" x 2-11/64")
- 50mm (1-31/32") with Hex Socket Head Bolt A2-70 M8x60mm (5/16" x 2-23/64")
- 57mm (2-1/4") with Hex Socket Head Bolt A2-70 M8x70mm (5/16" x 2-3/4")
- Z-Module
- Lock Washer 8.4mm (21/64")

ER-PB-CP/A



Post Brace for C-Post

- Hinge Leaf
- Post Joint
- Rivet 2
- Hex Socket Head Bolt M10 x 30mm (25/64" x 1-3/16")
- Hex Socket Head Bolt M14 x 100mm (35/64" x 3-15/16")
- Spring Washer 12mm (15/32")
- Flat Washer 12 (15/32")
- Hexagonal Nut M14 (35/64")

ER-SP-T110



Splice for T-Rail 110

- Splice 45.7 x 105.6mm (1-51/64" x 4-1/15")
- Flange Face Self-Tapping Screw
- Self tapping screw M6.3 x 22 (1/4" x 55/64")

ER-EC-ST



End Clamp, Standard

- End Module Clamp 28mm (1-7/64"), 30mm (1-3/16"), 32mm (1-17/64"), 35mm (1-3/8"), 38mm (1-1/2"), 40mm (1-37/64"), 42mm (1-21/32"), 46mm (1-13/16"), 48mm (1-57/64"), 50mm (1-31/32"), 57mm (2-1/4")
- Z-Module
- Hex Socket Head Bolt A2-70 M8 x 28 (5/16" x 1-1/10")
- Lock Washer 8.4mm (21/64")

ER-PB-CP/D/A



Post Brace for C-Post on Double Support with Grounding

- Post Joint with Grounding Hole
- Hinge Leaf
- Rivet 2
- Hexagonal Bolt M12*55
- Hexagonal bolt M12*100
- Hexagon nut M12
- Washer 12
- Plain washer 12
- External Teeth Lock Washer 12
- Set screw M8*12

PV-ezRack SolarTerrace II-A

ER-S-STIIA/S
ER-S-STIIA/D



Support (pre-assembled)

- Tri Groove Beam
- H-Joint
- Hex Socket Head Bolt M14 x 115 (35/64" x 4-17/32")
- Hex Socket Head Bolt M14 x 100 (35/64" x 3-15/16")
- Hex Socket Head Bolt M12 x 30 (15/32" x 1-3/16")
- Spring Washer 12mm (15/32")
- Joint Shoe 60 x 73 x 116.6mm (2-23/64" x 2-7/8" x 4-19/32")
- Tube Support
- Flange Facing Nut M12 (15/32")
- Spring Washer 12mm (15/32")
- Flat Washer 14 (35/64")
- Hexagonal Nut M14 (35/64")
- Corrugated H-Joint
- Corrugated Shim

BR-R110/EW/G



PV-ezRack East/West Adjustable Bracket for T-Rail 110 with grounding

- East/West adjustable bracket with Grounding Hole-top
- Bushing $\varnothing 18.5 \times 9$
- East/West adjustable bracket-bottom
- Hexagon socket head cap screw M8*25
- Washer 8
- Z Module
- Hexagonal Bolt M12*50
- Washer 12
- External Teeth Lock Washer 12
- Hexagon nut M12
- Corragated shim (t6) with $\varnothing 8.5$ hole
- Hexagon socket head cap screw M8*30
- O rubber rings $\varnothing 12 \times 3$
- Grounding Clip, with clenergy logo
- Grounding Rail Clamp for T Rail

PV-ezRack SolarTerrace III-A

Universal and earthed ground mount frame for corrosive environments and for tough soil conditions

Manufactured from high quality structural grade and anodised aluminium, PV-ezRack SolarTerrace III-A is the perfect mounting solution for corrosive environments. The support legs can be installed either with concrete ballast footing or on ground screws which makes it suitable for almost every soil condition. Its user friendly high level of prefabrication makes it easy to install and therefore practical for smaller commercial and even for residential installations.



Main Benefits

Durable even in harsh environments

STIII-A contains only 6005 Aluminium alloy and 304 stainless steel (316 on request), which makes it suitable for even the toughest environments, such as corrosive sites close to coastlines.

Support leg is delivered in one piece

The support legs of the STIII-A are completely pre-assembled, they only needed to be opened up and secured to the foundation. They even have the positioning rail clamps pre-installed**, so you don't need to measure and mark the rail positions anymore. The combination of these features is saving valuable time in assembly and logistics, making it one of the fastest system on the market.

Suitable for all soil and ground type

The support legs can be installed either with a concrete ballast footing or with ground screws. This makes STIII-A suitable for the most challenging soil conditions where ramming is not possible.

Full earthing function

With pre-fitted pressure bolts and star washers in the pre-assembled support, it can create earthing continuity from T rail to support. In this way, SolarTerrace III-A system is a full earthing system.

10 Year
Warranty*

Commercial

Residential

Utility

Available accessories

Grounding/earthing

Cable clips

Cable trays

Inverter/joint box bracket

Rail and Girder cap

PV-ezRack SolarTerrace III-A

ER-R-T110



T-Rail 110mm

- T-Rail 65 x 110mm (2-9/16" x 4-21/64")
- Length from 2000mm (6' 6-47/24") to 6100mm (20' 5/32")
- Standard Lengths 4200mm (13' 9-23/64") and 5200mm (17' 23/32")

ER-SP-T110



Splice for T-Rail 110

- Splice 45.7 x 105.6mm (1-51/64" x 4-1/15")
- Flange Face Self-Tapping Screw
- Self tapping screw M6.3 x 22 (1/4" x 55/64")

GE-STA/200



Girder Extension for SolarTerrace-A (II and III) 200mm

- Splice for Tri-Groove Square Girder
- Flange Facing Self-Tapping Screw (washer) ST6.3*22
- Alum profile of tri-groove Beam 200

ER-IC-ST



Inter Clamp, Standard

- Inter Module Clamp 28mm (1-7/64"), 35mm (1-3/8"), 40mm (1-37/64"), 46mm (1-13/16"), 50mm (1-31/32"), 57mm (2-1/4")
- 28mm (1-7/64") with Hex Socket Head Bolt A2-70 M8x40mm (5/16" x 1-37/64")
- 35mm (1-3/8") with Hex Socket Head Bolt A2-70 M8x45mm (5/16" x 1-49/64")
- 40mm (1-37/64") with Hex Socket Head Bolt A2-70 M8x50mm (5/16" x 1-31/32")
- 46mm (1-13/16") with Hex Socket Head Bolt A2-70 M8x55mm (5/16" x 2-11/64")
- 50mm (1-31/32") with Hex Socket Head Bolt A2-70 M8x60mm (5/16" x 2-23/64")
- 57mm (2-1/4") with Hex Socket Head Bolt A2-70 M8x70mm (5/16" x 2-3/4")
- Z-Module
- Lock Washer 8.4mm (21/64")

ER-EC-ST



End Clamp, Standard

- End Module Clamp 28mm (1-7/64"), 30mm (1-3/16"), 32mm (1-17/64"), 35mm (1-3/8"), 38mm (1-1/2"), 40mm (1-37/64"), 42mm (1-21/32"), 46mm (1-13/16"), 48mm (1-57/64"), 50mm (1-31/32"), 57mm (2-1/4")
- Z-Module
- Hex Socket Head Bolt A2-70 M8 x 28 (5/16" x 1-1/10")
- Lock Washer 8.4mm (21/64")

ER-RC-T/G



Rail Clamp for T-Rail with grounding/earthing pins

- Rail Clamp with pins 50 x 30 x 11.8mm (1-31/32" x 1-3/16" x 15/32")
- Hex Socket Head Bolt M8 x 30 (5/16" x 1-3/16")
- Spring Washer M8 (5/16")
- Z-Module

ER-S-STIIIA



SolarTerrace III-A Support (pre-assembled)

- Back Leg
- N-Beam Joint
- S-Anchor Plate
- Enforcement Tube
- Hexagon Bolt M12 x 25 (15/32" x 63/64")
- Lock Washer 12.4 (31/64")
- Flange Facing Nut M12 (15/32")
- Hexagon Bolt M12 x 90 (15/32" x 3-35/64")
- Hexagon Bolt M12 x 80 (15/32" x 3-5/32")
- Hexagon Nut M12 (15/32")
- Flat Washer 12.4 (34/64")
- Hexagon Nut M16 (5/8")
- Lock Washer 16.4mm (46/64")
- Flat Washer 16.4mm (46/64")
- N-anchor Plate
- Front Leg
- S-Beam Joint
- Tri Groove Beam

BR-R110/EW/G



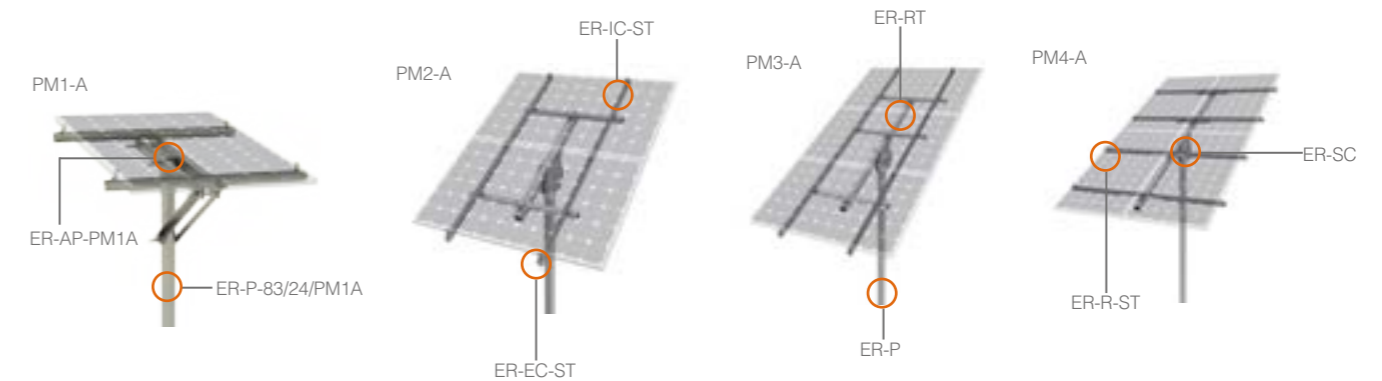
PV-ezRack East/West Adjustable Bracket for T-Rail 110 with grounding

- East/West adjustable bracket with Grounding Hole-top
- Bushing ϕ 18.5*9
- East/West adjustable bracket-bottom
- Hexagon socket head cap screw M8*25
- Washer 8
- Z Module
- Hexagonal Bolt M12*50
- Washer 12
- External Teeth Lock Washer 12
- Hexagon nut M12
- Corragated shim (t6) with ϕ 8.5 hole
- Hexagon socket head cap screw M8*30
- O rubber rings ϕ 12*3
- Grounding Clip, with clenergy logo
- Grounding Rail Clamp for T Rail

PV-ezRack PostMount 1-A, 2-A, 3-A and 4-A

Robust pole mount system with adjustable angle for two, three and four panels

PV-ezRack PostMount-A delivers flexible and durable designs to mount from one to four panels per post. It's ideal for remote off-grid applications such as water pumps or small residential and commercial systems. The panel tilt is easily adjustable between 10° and 60° throughout the year and comes with hassle-free mounting thanks to patented components such as the PV-ezRack rails and clamps. The combination of high quality aluminium, stainless steel and galvanised steel components make this a robust, reliable system with excellent corrosion resistance.



Main Benefits

Suitable for every soil condition

With its concrete foundation, PostMount can be installed on even or uneven ground or on a slope, making it suitable for any soil type and a wide range of applications.

Adjustable tilt angle

The steel cap (post head) is designed to tilt panels between 0° and 60° to ensure that you get the required power output you need - anywhere, anytime. Changing the angle merely requires a single pair of spanners.

Robust and reliable

Mounted on aluminium rails the panels are supported by robust galvanised steel landscape and master tubes secured with stainless steel bolts. The post is fixed into a concrete foundation.

Quick and easy installation

Innovative and internationally patented, the Z-Module technology is used in almost all PV-ezRack components. The Z-Module provides a quick, easy and safe installation method and can be inserted into the rail at any given point, secured with just three hand grips.

10 Year
Warranty*

Commercial

Residential

Available
accessories

Grounding/earthing
Cable clips
Rail and Girder cap

PV-ezRack PostMount 1-A, 2-A, 3-A and 4-A

ER-P-102/2600



Pipe Diameter \varnothing 102*2600(PM3,4-A Pole)

- Pipe Diameter \varnothing 102*2600

ER-R-ECO



ECO Rail

- Aluminium profile of ECO Rail

ER-RT-70/394



Adjustable Tube 70*50*394

- Adjustable Tube 70*50*394
- Hexagonal bolt M14*120
- Hexagon nut M14
- Plain washer 14
- Washer 14

ER-RT



Rectangular Tube

- Rectangular Tube

ER-IC-ST



Inter Clamp, Standard

- Inter Clamp 28-57mm
- Hexagon socket head cap screw M8*50
- Washer 8
- Z module

ER-EC-ST



End Clamp, Standard

- End Clamp 28-57mm
- Hexagon socket head cap screw M8*28
- Washer 8
- Z module

ER-AB-75/45/550



Angle Bracket 75*45*550

- Postmount 4-A Angel Bracket 75*45*550
- U bolt for Tube 110
- Plain washer 10
- Washer 10
- Hexagon nut M10
- Hexagon socket head cap screw M8*28
- Plain washer 8
- Washer 8
- Hexagon nut M8
- Cross connection clamp

ER-SC-PM3/PM4



Steel Cap Assembly

- Steel Cap of PM3-A, PM4-A
- Square washer for PM3-A, PM4-A
- Hexagonal bolt M14*150
- Hexagonal bolt M14*110
- Plain washer 14
- Washer 14
- Hexagon nut M14
- U washer T1.0 (for PM-A system)
- U washer T2.0 (for PM-A system)

ER-AP-PM1A



PV-ezRack PM1-A, Accessory Package

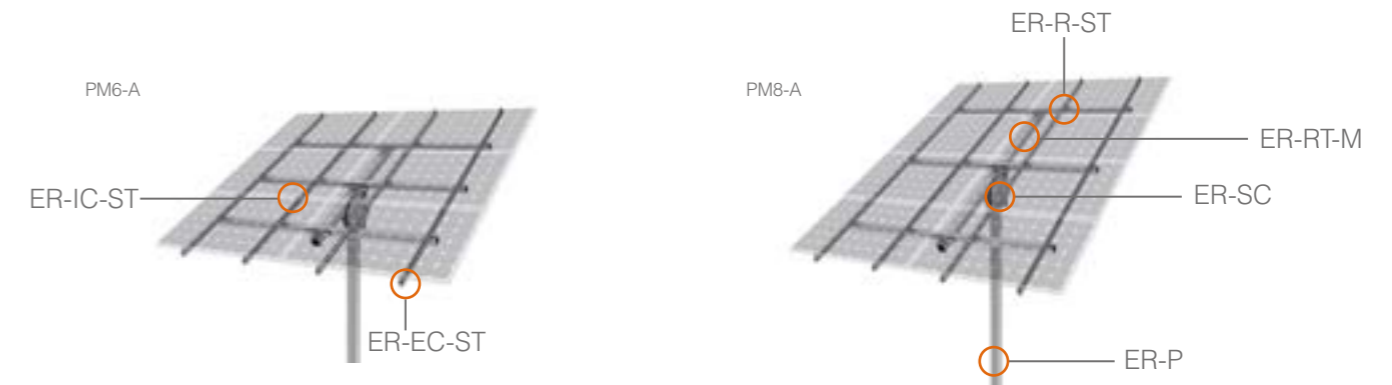
- Aluminum Profile Of ECO-rail 1100, L1100mm
- Angle Steel 63*40*1010*T4mm
- Angle Steel 40*40*682*T4mm, Right Supporting Rod
- Angle Steel 40*40*682*T4mm, Left Supporting Rod
- Sleeve \varnothing 20*83*T3mm
- Cross Connection Clamp of ECO-rail, L40mm
- Cup Head Square Neck Bolts M8*25
- Hexagon Nut With Flange M8
- Hexagonal Bolt S M12*120
- Plain Washer 12mm
- Washer 12mm
- Hexagon Nut M12
- End Clamp 40mm
- Hexagon Socket Head Cap Screw M8*28
- Washer 8
- Z module, L20mm

PV-ezRack

PostMount 6-A and 8-A

Robust pole mount system with adjustable angle for six and eight panels

PV-ezRack PostMount-A delivers flexible and durable designs to mount six or eight panels per post. It is ideal for remote off-grid applications such as water pumps or small residential and commercial systems. The panel tilt is easily adjustable between 10° and 60° throughout the year and comes with hassle-free mounting thanks to patented components such as the PV-ezRack rails and clamps. The combination of high quality aluminium, stainless steel and galvanised steel components make this a robust, reliable system with excellent corrosion resistance.



Main Benefits

Suitable for every soil condition

With its concrete foundation, PostMount can be installed on even or uneven ground or on a slope, making it suitable for any soil type and a wide range of applications.

Adjustable tilt angle

The steel cap (post head) is designed to tilt panels between 0° and 60° to ensure that you get the required power output you need - anywhere, anytime. Changing the angle merely requires a single pair of spanners.

Robust and reliable

Mounted on aluminium rails the panels are supported by robust galvanised steel landscape and master tubes secured with stainless steel bolts. The post is fixed in to a concrete foundation.

Quick and easy installation

Innovative and internationally patented, the Z-Module technology is used in almost all PV-ezRack components. The Z-Module provides a quick, easy and safe installation method and can be inserted in to the rail at any given point, secured with just three hand grips.

10 Year Warranty*

Commercial

Residential

Available accessories
Grounding/earthing
Cable clips
Rail and Girder cap

PV-ezRack PostMount 6-A and 8-A

ER-P-152/3000



Pipe 152*3000(PM6,8-A Pole)

- Pipe Diameter φ152*3000

ER-R-ECO



ECO Rail

- Aluminium profile of ECO Rail

ER-RT-100/576



Adjustable Tube 100*50*576

- Adjustable Tube 100*50*576
- Hexagonal bolt M20*160
- Hexagon nut M20
- Plain washer 20
- Washer 20

ER-RT



Rectangular Tube

- Rectangular Tube

ER-P-152/1500-F



Pipe φ152*1500 with Flange Base(PM6,8-A Pole)

- Pipe Diameter φ152*1500 with Flange Base

ER-SC-PM6/PM8



Steel Cap Assembly

- Steel Cap of PM6-A, PM8-A
- Square washer for PM6-A, PM8-A
- Hexagonal bolt M20*210
- Hexagonal bolt M20*160
- Plain washer 20
- Washer 20
- Hexagon nut M20

ER-IC-ST



Inter Clamp, Standard

- Inter Clamp 28-57mm
- Hexagon socket head cap screw M8*50
- Washer 8
- Z module

ER-EC-ST



End Clamp, Standard

- End Clamp 28-57mm
- Hexagon socket head cap screw M8*28
- Washer 8
- Z module

PV-ezRack ezShade

The Universal Ground Mounted Solution

Clenergy PV-ezRack ezShade is an economical ground mounted system for landscape module installations that provides shelter for parking. It is designed for high wind speed and snow loads. The combination of Clenergy's patented aluminium base rail, Z-module technology and rail splicing saves you the trouble of on-site cutting for fast installation. The anodised aluminium components combined with this specific structural design result in an optimal balance between aesthetics and cost effectiveness.



Main Benefits

Customized Solution

We offer customized solution for PV-ezRack Shade with optional one-car span or two-car span. Both silver anodized and black anodized products are available.

Durability

The whole anodised aluminium structure gives the system a decent look and anti-corrosive quality as well. It is a good choice for even the toughest environment, such as sites near the coastline.

Watertight Function

PV-ezRack ezShade is available with the watertight function for the premium product. The version without it is the more economical option.

System Earthing Feature

With the earthed panel clamps, T-rail clamps with earthed Z-modules and set screws in the system, it can create earthing continuity from solar panels to supports.

10 Year Warranty* Utility Commercial

Available accessories
Cable clips
Rail and Girder cap

PV-ezRack ezShade

U-AP/TR/300



- Corrugated U-anchor Plate**
- Corrugated U-anchor Plate 300
 - Hexagonal bolt M16*150
 - Plain washer 16
 - Washer 16
 - Hexagon nut M16
 - Corrugated Shim 50*40*6
 - Bushing Φ 23*77.5

U-AP/TR/380



- Corrugated U-anchor Plate**
- Corrugated U-anchor Plate 380
 - Hexagonal bolt M16*150
 - Plain washer 16
 - Washer 16
 - Hexagon nut M16
 - Corrugated Shim 50*40*6
 - Bushing Φ 23*77.5

RT-100/90/L



- Rectangular Tube**
- Rectangular Tube 100*90*Lmm

ER-B-150



- Main Support Beam**
- Main Support Beam 150*5200mm

SPII-B150



- Splice II for Main Support Beam**
- 90*40*200
 - Cup head square neck bolts M8*30mm
 - Plain washer 8
 - Washer 8
 - Hexagon nut M8

ER-R-T150



- T-Rail, 150**
- 4200mm
 - 2360mm

ER-SP-T150



- Splice for T-150 Rail**
- Splice for T-150 Rail 125.5*57.2*500
 - Corrugated Shim 60*6*500
 - Sharp-Point wood screw ST6*32

ER-B-L/A



- Dry Bar-Landscape**
- Dry Bar-Landscape 43*42*1623
 - 43*42*1637
 - Rubber for Dry Bar 6.8*3.9*1750
 - T-head bolt M6*55
 - Hexagon nut M6
 - Curved spring washer Φ 6.7

ER-B-T6/65



- T bolt kit**
- T-head bolt M6*65
 - Washer Φ6.5
 - Hexagon nut M6

ER-B-L



- Dry Bar-Landscape (with Bushing)**
- Dry Bar-Landscape 43*42*1623
 - 43*42*1637
 - Rubber for Dry Bar 6.8*3.9*1750
 - T head bolt M6*55
 - Hexagon nut M6
 - Curved spring washer Φ6.7
 - Bushing Φ12*36.5

ER-B-P



- Dry Bar-Portrait 5105**
- Dry Bar-Portrait 32*11.5*5105
 - Rubber for Dry Bar 6.8*3.9*5200

ER-CC-B/L



- Cross Connection for Dry Bar-Landscape**
- Cross Connection for Dry Bar 52*42*42

ER-CAP-B/P



- End Cap for Portrait Dry Bar**
- End Cap for Portrait Dry Bar 32*12*15

ER-CAP-B/L

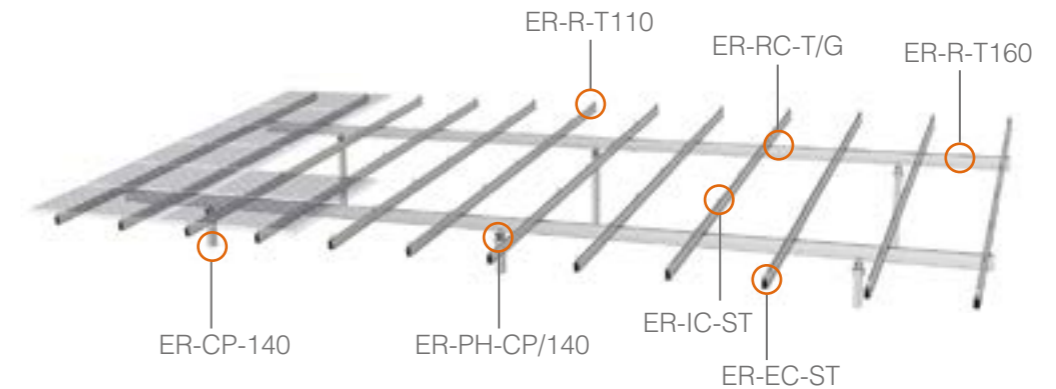


- Top Cover for Landscape Dry Bar**
- Top Cover for Landscape Dry Bar 18.4*10*1623
 - 18.4*10*1637

PV-ezRack SolarTerrace V

Utility scale ground mount frame with time saving smart design

PV-ezRack SolarTerrace V is developed for utility scale PV-deployments with panels in landscape orientation. The system offers a wide range of adjustability, easy deployment and enables the implementation of large arrays. STV is a simple and robust structure so it can be installed even with untrained labour forces. All these features result in fast, easy and cost efficient installation. Main aluminium components have a standard 10µm anodisation.



Main Benefits

Post-head adjustability

The smart design of the Post head provides adjustments in all directions to balance out inaccuracies which often occur through the nature of the ramming process. These generous adjustments allow easier and quicker installation.

Easy deployment

The connection between the main beams (Clipped T-rail 160) and the Post head is using special, spring supported rail clamps which easily slide and clip on to the bottom of the rail eliminating the often used and time consuming nut and bolt connection.

Utility optimised large arrays

STV is designed for utility scale applications and therefore offers large arrays, huge horizontal spans combined with up to 6 landscape panels (72 cells) in one row. Furthermore the design allows the panel rows to be pre-assembled to the rails off-site in controlled environment. All this saves valuable installation time on-site and increases efficiency during installation.

Simplicity

Sometimes bill of materials can be confusing and complicated. Not with Clenergy, on a basic BOM for STV you will only find 8 components. Keeping it simple and transparent helps all parties to understand and work with the product better.

10 Year Warranty*

Commercial

Residential

Available accessories

Grounding/earthing

Cable clips

Rail caps

Inverter/joint box bracket

Rail and Girder cap

PV-ezRack SolarTerrace V

ER-R-T160



Clipped T-Rail 160

- Clipped T-Rail 92 x 160mm (3-5/8" x 6-19/64")
- Length up to 6100mm (20' 5/32")

ER-SP-T160



Splice for Clipped T-Rail 160

- Splice for Clipped T-Rail 160
- Flange Face Self-Tapping Screw (with washer) ST6.3x22mm (1/4" x 55/64")

ER-CP-140



C-Post 140

- C-Post 70 x 140mm (2-3/4" x 5-33/64")

ER-PH-CP/140



Post Head for C post 140

- Mounting Base for Clipped T-160 Rail
- Rail clamp for Clipped T-160 Rail
- Snap-head bolt M8 x 40 (5/16" x 1-37/64")
- Hexagon nut with flange M8 (5/16")
- Washer M8.5 x 20 (21/34" x 25/32")
- ezClip Spring
- Corragated shim
- Washer 12mm (15/32")
- Plain washer 12mm (15/32")
- Hexagon nut M12 (15/32")
- Bushing Ø18.5 x 35.5mm (47/64" x 1-25/64")
- Upper T-Head
- Hexagonal bolt M12 x 25 (15/32" x 63/64")
- Lower T-Head
- Hexagonal bolt M12 x 110 (15/32" x 4-21/64")

ER-PH-CP/140/EW



Post Head for C post 140/EW

- Mounting Base for Clipped T-160 Rail
- Rail clamp for Clipped T-160 Rail
- Snap-head bolt M8 x 40 (5/16" x 1-37/64")
- Hexagon nut with flange M8 (5/16")
- Washer M8.5 x 20 (21/34" x 25/32")
- ezClip Spring
- Corragated shim
- Washer 12mm (15/32")
- Plain washer 12mm (15/32")
- Hexagon nut M12 (15/32")
- Bushing Ø18.5 x 35.5mm (47/64" x 1-25/64")
- Upper T-Head
- Hexagonal bolt M12 x 25 (15/32" x 63/64")
- Lower T-Head
- Hexagonal bolt M12 x 110 (15/32" x 4-21/64")

ER-R-T110



T-Rail 110mm

- T-Rail 65 x 110mm (2-9/16" x 4-21/64")
- Length from 2000mm (6' 6-47/24") to 6100mm (20' 5/32")
- Standard Lengths 4200mm (13' 9-23/64") and 5200mm (17' 23/32")

ER-RC-T/G



Rail Clamp for T-Rail with grounding/earthing pins

- Rail Clamp with pins 50 x 30 x 11.8mm (1-31/32" x 1-3/16" x 15/32")
- Hex Socket Head Bolt M8 x 30 (5/16" x 1-3/16")
- Spring Washer M8 (5/16")
- Z-Module

ER-IC-ST



Inter Clamp, Standard

- Inter Module Clamp 28mm (1-7/64"), 35mm (1-3/8"), 40mm (1-37/64"), 46mm (1-13/16"), 50mm (1-31/32"), 57mm (2-1/4")
- 28mm (1-7/64") with Hex Socket Head Bolt A2-70 M8x40mm (5/16" x 1-37/64")
- 35mm (1-3/8") with Hex Socket Head Bolt A2-70 M8x45mm (5/16" x 1-37/65")
- 40mm (1-37/64") with Hex Socket Head Bolt A2-70 M8x50mm (5/16" x 2-10/64")
- 46mm (1-13/16") with Hex Socket Head Bolt A2-70 M8x55mm (5/16" x 2-11/64")
- 50mm (1-31/32") with Hex Socket Head Bolt A2-70 M8x60mm (5/16" x 2-5/3")
- 57mm (2-1/4") with Hex Socket Head Bolt A2-70 M8x70mm (5/16" x 2-3/4")
- Z-Module
- Lock Washer 8.4mm (21/64")

ER-EC-ST



End Clamp, Standard

- End Module Clamp 28mm (1-7/64"), 30mm (1-3/16"), 32mm (1-17/64"), 35mm (1-3/8"), 38mm (1-1/2"), 40mm (1-37/64"), 42mm (1-21/32"), 46mm (1-13/16"), 48mm (1-57/64"), 50mm (1-31/32"), 57mm (2-1/4")
- Z-Module
- Hex Socket Head Bolt A2-70 M8 x 28 (5/16" x 1-1/10")
- Lock Washer 8.4mm (21/64")

Accessories

Accessories - Earthing / Grounding components

EZ-GL-ST



Grounding Lug (standard)

- Grounding Lug L25
- Hexagon Socket Head Bolt M8 x 25mm (5/16" x 63/64")
- Z-Module L20
- Spring Washer M8.4 (21/64")
- Flat Washer M8.4 (21/64")
- Grounding Lug Bolt M6 x 14mm (3/16" x 35/64")

EZ-GC-ST



Grounding Clamp (standard)

Accessories - Cable clips and trays

CC-R/ECO/6



AL Cable clip for ECO rail

- AL Cable clip for ECO rail
- Install tool for AL Cable clip

EZ-CC-PV/2



Universal Cable Clip for PV Panels for holding 2 cables

EZ-CC-PV/4



Universal Cable Clip for PV Panels for holding 4 cables

EZ-C-CD/T



Clamp for Cable Duct on T-Rail

- Clamp for Cable Duct on T-rail
- T-head bolt M8 x 25mm (5/16" x 63/64")
- Plain washer 8mm (5/16")
- Washer 8mm (5/16")
- Hexagon nut M8 (5/16")
- Set screw M8 x 12mm (5/16" x 15/32")

EZ-CD-102



Cable Duct 102

EZ-CO-CD/102



Cover for Cable Duct 102

Accessories - Rail caps

EZ-CAP-B



Cap for B-Shape Rail

ER-CAP-G/PA



Cap for Square Girder

EZ-CAP-T50



Cap for T-Rail 50

ER-CAP-T110



Cap for T-Rail 110

CAP-ECO/PA CAP-ECO/PA/BA



Cap for ECO Rail

Accessories - Brackets for inverter / combiner box

EZ-UB-STIIIA



SolarTerrace III-A, Bracket kit for Inverter / Combiner Box

- U-Fixing Bracket for Tube 60 x 60mm (2-23/64" x 2-23/64")
- T-head bolt M8 x 25mm (5/16" x 63/64")
- Plain washer large 8 x 24mm (5/16" x 53/64")
- Washer 8mm (5/16")
- Hexagon nut M8 (5/16")
- Self-drilling screw ST6.3 x 25mm (1/4" x 63/64")

EZ-UB-STIIA



SolarTerrace II-A, Bracket kit for Inverter / Combiner Box

- U-Fixing Bracket for Tube 60 x 60mm (2-23/64" x 2-23/64")
- T-head bolt M8 x 25mm (5/16" x 63/64")
- Plain washer large 8 x 24mm (5/16" x 53/64")
- Washer 8mm (5/16")
- Hexagon nut M8 (5/16")

EZ-RT-60/60/740



Slotted Al-Tube for Bracket kit for Inverter / Combiner Box

- Slotted Al-Tube 60 x 60 x 740mm (2-23/64" x 2-23/64" x 2' 1-13/64")

ER-R-C41/61/800



C-Channel for Bracket kit for Inverter / Combiner Box

- 41 x 62 x 800mm (1-39/64" x 2-7/16" x 2' 7-1/2")

Accessories

Accessories - Rubber pads

EZ-RB-60/45/12



EPDM rubber pad
– EPDM rubber pad
60 x 45 x 12mm

EZ-RB-ST



Rubber Pad
– 50 x 25 x 2.2mm
(1-31/32" x 63/64" x 3/32")

EZ-RB-60/20000/2



EPDM strip
– EPDM strip
60 x 20000 x 2mm
(2-9/23" x 64' 7-13/32" x 5/64")

Accessories - Other

EZ-AD-C110



SolarRoof Adapter for Corrugated Iron Roof

– AL Adapter 110mm x 124mm
(4-21/64" x 4-7/8")
– EPDM rubber pad
– Z-Module and bolt

EZ-Z-STBW



Z-Module assembly with bolt and washer

– Z-Module
– M8 x 25mm (5/16" x 63/64") A2 70
– Washer 8.4mm (21/64") DIN 9021 A2
– Lock Washer 8mm (5/16") A2

EZ-Z-ST



Z-Module

EZ-AD-GSS76/CP140



Adapter between Ground screw S76 and C-Post 140

– U-Profile Bracket
– Arc Fixed Block
– Hexagonal bolt M12 x 120mm
(15/32" x 5-1/64")
– Washer 12mm (15/32")
– Plain washer 12mm (15/32")
– Hexagon nut M12 (15/32")

EZ-RE-200



Roof Hook Extender

– 200mm Roof Hook Extender
– Hex Socket Head Bolt
– Hex Nut

ER-R-MT/2560



MT-rail

– With a standard length of
2560mm (8' 4-25/32")

ER-DM-MT8



Diamond module M8 with Hexagon Socket bolt M8x20 (for AU)

– Main Click Module
– Side Click Module
– Spring for Click Module

CM-01



Click Module without Bolt

– Main Click Module
– Side Click Module
– Spring for Click Module

CM-01/B



Click Module with Bolt

– Main Click Module
– Side Click Module
– Spring for Click Module
– Washer 8
– Lock Washer M8*18
– socket head cap screw M8*25

EZ-IB-SR240/100



SolarRoof Isolator Bracket
240*100mm with Z-Module and bolt assembly

IBII-SR240/100 IBII-SR240/100/B



SolarRoof Isolator Bracket II, 240*100mm with Z-Module and bolt assembly

– SolarRoof Isolator Bracket II, 240*100mm
– Z Module
– Plain washer 8
– Washer 8
– Hexagon socket head cap screw M8*25

CO-IB/240/100



Cover for Isolator Bracket, 240*100 mm

– Cover for Isolator Bracket,
240*100 mm
– Connector for Isolator Bracket
– Cup head square neck bolts M6
– Washer 6
– Hexagon nut M6
– Flat Washer 8
– Grounding Lug Bolt

CO-IBII/240/100



Cover for Isolator Bracket II, 240*100 mm

– Cover for Isolator Bracket II, 240*100 mm
– Connector for Isolator Bracket II, right
– Connector for Isolator Bracket II, left
– Grounding Lug Bolt
– Washer 6
– Hexagon nut M6

Accessories

Accessories – Other

IS-SR265/111 IS-SR265/111/B



Isolator Shade, 280*158*114mm with Z-Module and bolt, non-assembly

– Isolator Bracket, 265*155*111.5mm
– Isolator Cover, 280*155.5*114mm
– Z Module (Anodized, grounding)
– Plain washer large 8*24
– Washer 8
– Hexagon socket head cap screw M8*25
– Cross Recessed Countersunk Head Tapping Screws ST3.5*16
– Grounding Lug Bolt
– Washer 6
– Hexagon nut M6
– External Teeth Lock Washer 12 (for Black Anodized)
– External Teeth Lock Washer 8 (for Black Anodized)

AB-SR/IS/260 AB-SR/IS/260B



Angle Bracket for Isolator Shade, 260 mm Length

– Angle Bracket for Isolator Shade, 260 mm Length
– Hexagon nut M8
– Washer 8
– Hexagon socket head cap screw M8*25
– External Teeth Lock Washer 8

CRC-R/ECO-ZBW



Cross Connector Clamp of ECO-Rail with Z-module

– Hexagon socket head cap screw M8*25
– Washer 8
– Cross Connector Clamp of ECO-Rail
– Z Module

CRC-R/ECO



Cross Connector Clamp of ECO-Rail

– Cross Connector Clamp of ECO-Rail

RC-ECO/G



PV-ezRack Rail Clamp for ECO-Rail with grounding/earthing pins

– Hexagon socket head cap screw M8*30
– Washer 8
– Rail Clamp for ECO-Rail with grounding/earthing pins
– Z Module

ER-HB-8/150



Hanger Bolt for wood purlin, M8x150

– Hanger Bolt for wood purlin, M8 x150(with 3 nuts, round EPDM rubber pad, mounted)
– Waterproof Gasket for Hanger bolt M8
– Hexagon nut with flange M8

ER-HB-MP/8/150EP



Hanger Bolt for metal purlin M8*150mm (with 3 nuts, round EPDM rubber pad, mounted)

– Hanger Bolt for metal purlin M8*150(with 3 nuts, round EPDM rubber pad, mounted)
– Waterproof Gasket for Hanger bolt M8
– Hexagon nut with flange M8

Accessories

Accessories - Ground screw

GS-76/3.5/4/F9



Ground Screw, with Three Nut Fixation and Continuous Small Blade

- Ø76*3.5*1300mm
- Ø76*3.5*1600mm
- Ø76*3.5*1900mm
- Ø76*4.0*1300mm
- Ø76*4.0*1600mm
- Ø76*4.0*1900mm
- Ø76*3.0*1200mm
- Ø76*3.0*1400mm
- Ø76*3.0*1600mm
- Hexagonal bolt M16*30(Hot dip galvanizing)

GS-76/3.5/4/F0



Ground Screw, with Quadrate Flange and Continuous Small blade

- Ø76*3.5*1300mm
- Ø76*3.5*1600mm
- Ø76*3.5*1900mm
- Ø76*4.0*1300mm
- Ø76*4.0*1600mm
- Ø76*4.0*1900mm

GS-76/3.5/4/F1



Ground Screw, with Circular Flange and Continuous Small blade

- Ø76*3.5*1300mm
- Ø76*3.5*1600mm
- Ø76*3.5*1900mm
- Ø76*4.0*1300mm
- Ø76*4.0*1600mm
- Ø76*4.0*1900mm

GS-76/3.5/4/F8



Ground Screw, with Three Nut Fixation and Double screw blade

- Ø76*3.5*1300mm
- Ø76*3.5*1600mm
- Ø76*3.5*1900mm
- Ø76*4.0*1300mm
- Ø76*4.0*1600mm
- Ø76*4.0*1900mm- Hexagonal bolt M16*30(Hot dip galvanizing)

GS-76/3.5/4/F6



Ground Screw, with Quadrate Flange and Double Screw Blade

- Ø76*3.5*1300mm
- Ø76*3.5*1600mm
- Ø76*3.5*1900mm
- Ø76*4.0*1300mm
- Ø76*4.0*1600mm
- Ø76*4.0*1900mm

GS-76/3.5/4/F7



Ground Screw, with Circular Flange and Double screw blade

- Ø76*3.5*1300mm
- Ø76*3.5*1600mm
- Ø76*3.5*1900mm
- Ø76*4.0*1300mm
- Ø76*4.0*1600mm
- Ø76*4.0*1900mm

AP-GS/76/PIN



Accessory Package for Ø76 Ground Screw (with Hexagonal bolt M16*120)

- Rubber ring
- Hexagonal Bolt M16*120
- Plain washer large 16*50
- Washer M16
- Hex nut M16

AP-GS/76/2STS/3STS



Accessory Package for Ø76 Ground Screw (with 2PCS/3PCS Self-Tapping Screw)

- Rubber ring
- Flange Facing Self-Tapping Screw (with bonded washer) ST6.3*35

Warranty PV-ezRack

10 year limited Product Warranty, 5 year limited Finish Warranty

Clenergy Australia warrants to the original purchaser ("Purchaser") of product (s) that it manufactures ("Product") at the original installation site that the Product shall be free from defects in material and workmanship for a period of ten (10) years, except for the anodised finish, which finish shall be free from visible peeling, or cracking or chalking under normal atmospheric conditions for a period of five (5) years, from the earlier of 1) the date the installation of the Product is completed, or 2) 30 days after the purchase of the Product by the original Purchaser ("Finish Warranty").

The Finish Warranty does not apply to any foreign residue deposited on the finish, or to any of our carbon steel products. All installations in corrosive atmospheric conditions are excluded. The Finish Warranty is VOID if the practices specified by AAMA 609 & 610-02 – "Cleaning and Maintenance for Architecturally Finished Aluminium" (www.aamanet.org) are not followed by Purchaser. This Warranty does not cover damage to the Product that occurs during its shipment, storage, or installation.

This Warranty shall be VOID if installation of the Product is not performed in accordance with Clenergy's written installation instructions, or if the Product has been modified, repaired, or reworked in a manner not previously authorized by Clenergy IN WRITING, or if the Product is installed in an environment for which it was not designed. Clenergy shall not be liable for consequential, contingent or incidental damages arising out of the use of the Product by Purchaser under any circumstances.

If within the specified Warranty periods the Product shall be reasonably proven to be defective, then Clenergy shall repair or replace the defective Product, or any part thereof, at Clenergy's sole discretion. Such repair or replacement shall completely satisfy and discharge all of Clenergy's liability with respect to this limited Warranty. Under no circumstances shall Clenergy be liable for special, indirect or consequential damages arising out of or related to use by Purchaser of the Product.

Manufacturers of related items, such as PV modules and flashings, may provide written warranties of their own. Clenergy's limited Warranty covers only its Product, and not any related items.



Clenergy Australia

1/10 Duerdin Street, Clayton VIC 3168 Australia
 Tel: +61 3 9239 8088 Fax: +61 3 9239 8024
 E-mail: sales@clenergy.com.au www.clenergy.com.au

Clenergy China

999-1009 Min'an Rd, Huoju Hi-tech Ind. Dev. Zone
 Xiang'an District 361101, Xiamen, Fujian, China
 Tel: +86 592 311 0088 Fax: +86 592 599 5028
 E-mail: sales@clenergy.com.cn www.clenergy.com.cn

Clenergy EMEA

Esplanade 41, 20354 Hamburg, Germany
 Tel: +49 (0) 40 3562 389 00
 E-mail: sales.emea@clenergy.com

Clenergy Japan

Nittochi Yamashita Building 5th Floor
 23 Yamashita-cho, Yokohama, 231-0023 Japan
 Tel: +81 45 228 8226 Fax: +81 45 228 8316
 E-mail: sales@clenergy.co.jp www.clenergy.jp

Clenergy Philippines

145 Yakal St., San Antonio village, Makati City, Philippines
 Tel: +63 977 8407240
 E-mail: sales_ph@clenergy.com www.clenergy.ph

Clenergy Thailand

9/2, 5th Floor, Vorasin Building, Soi Yasoob 2, Viphavadee-Rungsit
 Road, Chomphon Sub-district, Chatuchak District, Bangkok 10900
 Tel: +66 63 228 0200, +66 81 969 5152
 E-mail: sales_th@clenergy.com, support_th@clenergy.com

Clenergy Singapore

24 Raffles Place #28-01 Clifford Centre Singapore 048621
 Tel: +65 9743 1425
 E-mail: vincent.chan@clenergy.com

Clenergy Vietnam

Tel: +86 592 3110095
 E-mail: sales_vietnam@clenergy.com;
 susie.chen@clenergy.com;
 ducnguyen@clenergy.com

Worldwide network



**10 Year
 Warranty***