



CLIPSAL[®]

by Schneider Electric

Fire Rated Wall Boxes 157F Series Installation Instructions

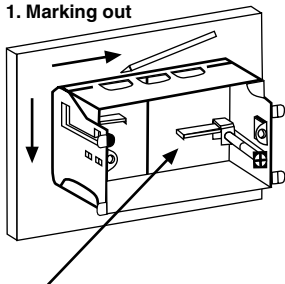
Acoustic rated up to 50RW - fire rated one and two hours*

1. Use box as a template to mark cut-out. Refer to table below for actual dimensions.
2. Cut opening in wall with care to ensure neat fit of the box.
3. Remove knockout for cable entry. If bringing cables through rear of box, slit intumescent material carefully with a sharp knife but **do not remove any material**.
4. Feed cables into wallbox.
5. Ensure clamping arms are fully retracted into box.
6. Insert box into wall cut-out. Single gang only: fold down flap, insert box and restore flap after insertion.
7. Extend clamping screws until box is firmly fixed in position.
⚠ Do not overtighten.
9. Gently tap retaining lugs until flush with wall face.
10. To ensure acoustic rating, fit gasket supplied.

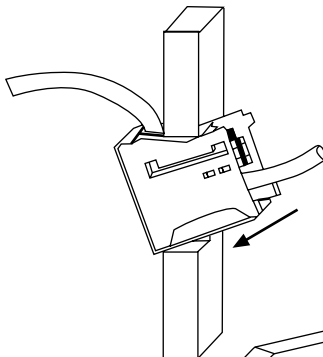
Cat. No.	Cut-out Size
157/1F	96 x 52mm
157/2F	96 x 96mm
2157/2F	135 x 98mm
2157/3F	206 x 98mm

*Rating is dependent on strict adhesion to installation instructions (refer test reports WFR A C91415). Use Clipsal Fyre-Seal Mastic (Cat. No. 157FSM) to seal any gaps around box or to replace any intumescent material inadvertently removed.

1. Marking out

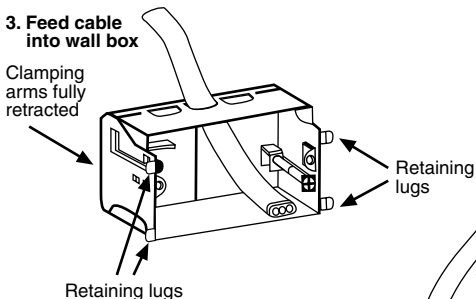


2. Insert box into cut-out

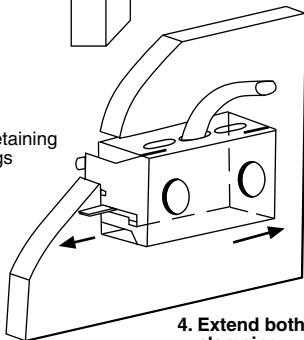


3. Feed cable into wall box

Clamping arms fully retracted



4. Extend both clamping arms outwards and tighten screws



Boxes are also available as specials eg. with segregation barrier, etc.

Note: Specials require ratification for each application.

Clipsal Australia Pty Ltd

A member of Schneider Electric

clipsal.com

Contact us: clipsal.com/feedback

National Customer Care Enquiries:

Tel 1300 2025 25 Fax 1300 2025 56

Clipsal Australia Pty Ltd reserves the right to change specifications, modify designs and discontinue items without incurring obligation and whilst every effort is made to ensure that descriptions, specifications and other information in this catalogue are correct, no warranty is given in respect thereof and the company shall not be liable for any error therein.

© Clipsal Australia Pty Ltd. The identified trademarks and copyrights are the property of Clipsal Australia Pty Ltd unless otherwise noted.

F1255/04

CLIPCOM 21105 April 2010