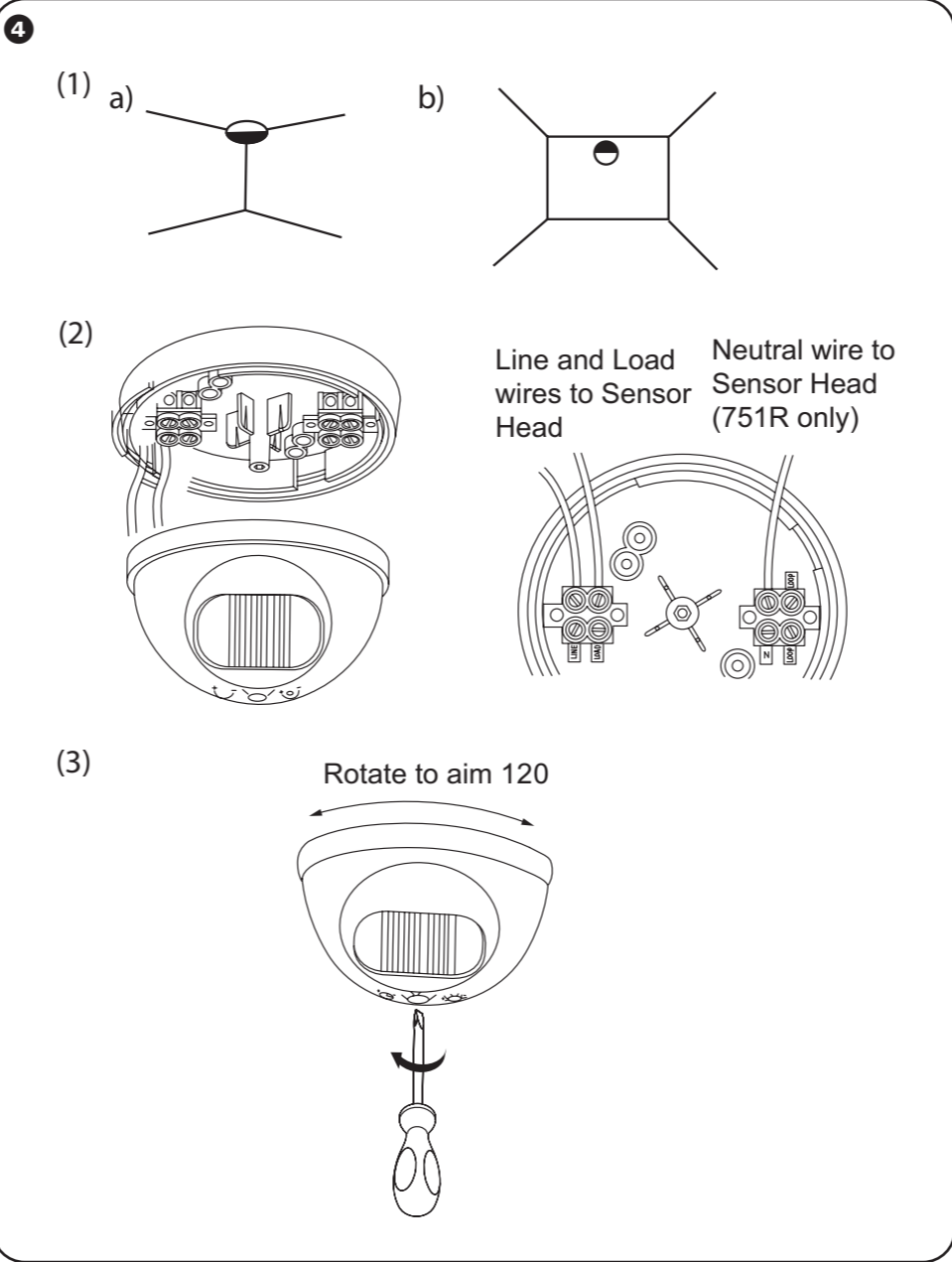
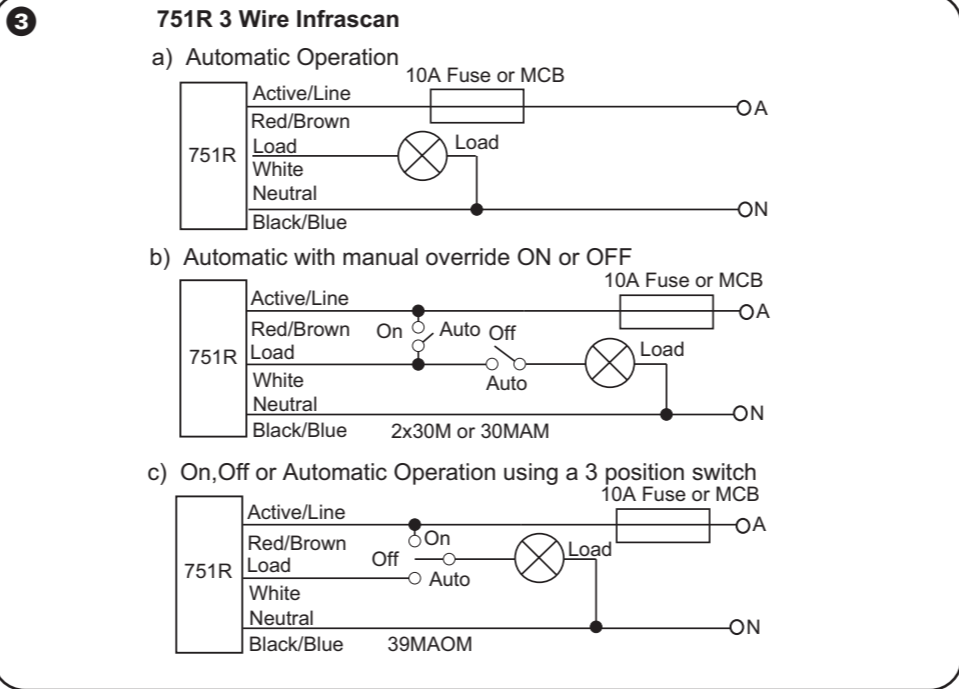
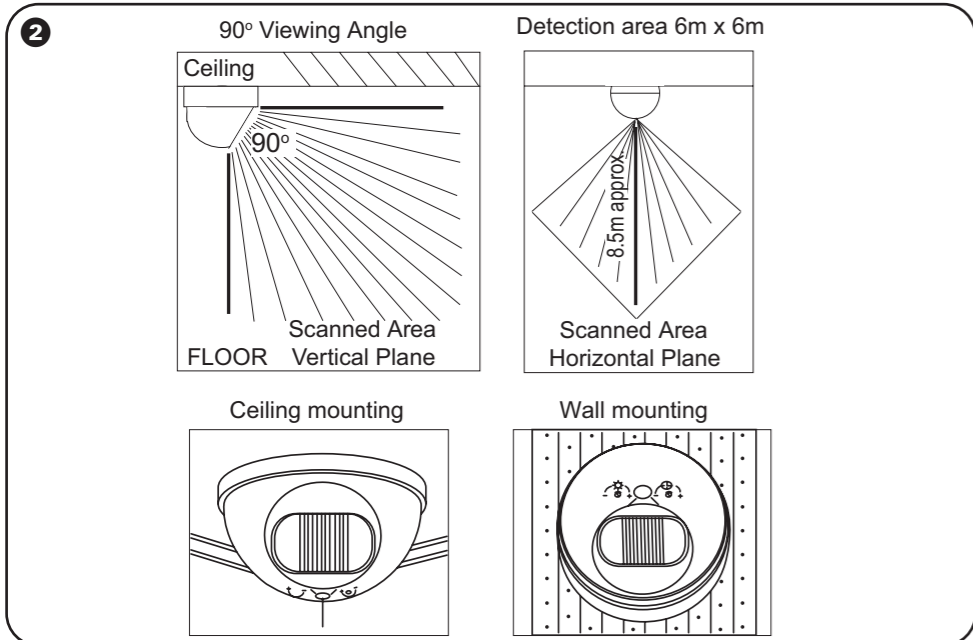
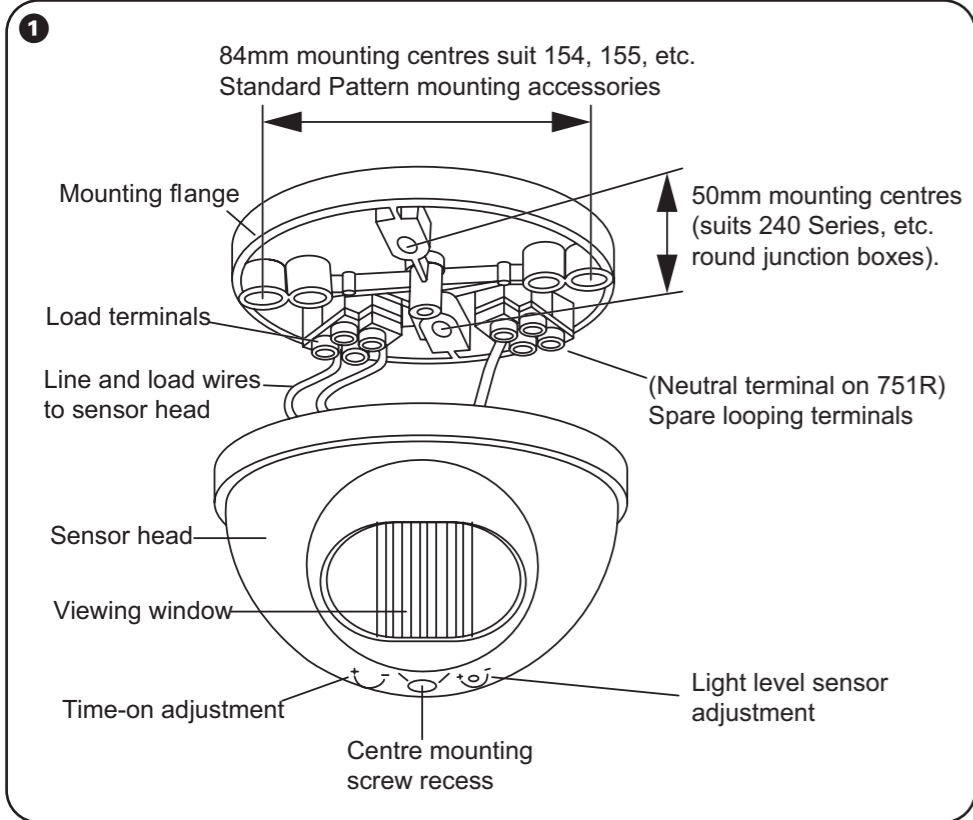


751R Infrascan Indoor, 3 Wire



**About the product**

The Indoor Infrascan motion sensor (hereinafter referred to as *device*) is designed to monitor the immediate environment, and detect people moving within its 'Field of View'. When movement is detected, the device will activate an electrical load, such as a light, in response to that movement.

- Light-Level - Set the ambient light level at which the load is switched On when movement is detected.
- Time-On - Set the time that the load remains On after movement is detected.

**1 Identification of parts**

**NOTICE**

**RISK OF DAMAGE TO DEVICE**

- The sensor head is specially designed to prevent water or dust from entering. So do not tamper it.
- Do not apply any pressure on the actual sensor lens itself, as this may damage the lens, and affect the performance.

**Failure to follow these instructions can result in equipment damage.**

**Installation location**

Position the device correctly for effective operation. Mount the sensor head vertically at 2.4 m height and so that the approach path is crossing the sensor face.

**NOTICE**

**RISK OF DAMAGE TO DEVICE**

- Do not mount the device close to objects which can create rapid temperature changes e.g. air conditioning vents, heater flues, moving water i.e. fountains and sprinklers. Avoid locations where condensation is likely to form on the lens.
- Do not mount the device on any surface that is subject to movement due to wind or other causes.
- In all cases, locate the device so that the 'approach path' is across the 'field of view' and not directly towards the device.

**Failure to follow these instructions can result in equipment damage.**

**2 Field of View**

**Note:** There may be noticeable differences in range due to differing conditions (background temperature, speed of movement, types of clothing worn, etc).

**3 Wiring Diagrams**

**⚠ ⚠ DANGER**

**HAZARD OF ELECTRIC SHOCK, EXPLOSION, OR ARC FLASH**

Safe electrical installation must be carried out only by skilled professionals. Skilled professionals must prove profound knowledge in the following areas:

- Connecting to installation networks.
- Connecting several electrical devices.
- Laying electric cables.
- Safety standards, local wiring rules and regulations.

**Failure to follow these instructions will result in death or serious injury.**

**Note:** The 751R is a three-wire device, and switches the load using an internal relay. Power is not drawn through the load and so the 31CAP is not required.

**4 Mounting Procedure**

**NOTICE**

**RISK OF DAMAGE TO DEVICE**

Do not fully tighten the screw until the sensor head has been aimed at the area you wish to monitor. The sensor allows up to 120 degree rotational movement to allow it to be aimed in the required direction.

**Failure to follow these instructions can result in equipment damage.**

- (1) Fit the mounting base either on the wall or ceiling. Orient the Base such that the small arrow indicating the Field of View is pointing toward the required detection area.

- a) Ceiling mount
- b) Wall mount

- (2) Terminate incoming wiring on the appropriate terminals as marked. Refer to Wiring Diagrams section for further information about wiring for different applications.

- (3) Fit the Sensor Head to the Mounting Base via the single, centrally located mounting screw (between the 'Time-On' and 'Light-Level' adjustment screws).

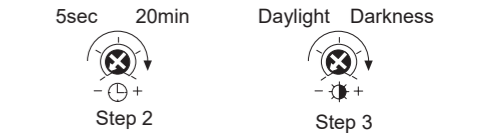
**Note:** If leads from the Sensor Head are disconnected from the Terminal Block, connect brown to Line, white to Load and blue to Neutral terminal.

**Commissioning**

When setting the 'Time-On' or 'Light-Level' adjustments keep clear of the 'Field of View' when assessing the effect of the adjustment.

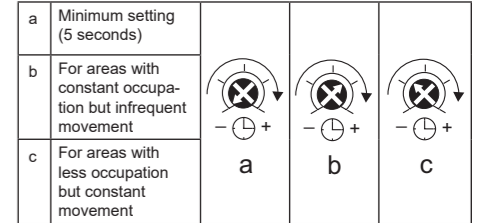
**Set Up for Walk Test**

- (1) Connect device to mains power and allow at least 30 seconds for the device to stabilize before conducting any tests.
- (2) Set the 'Time-On' adjustment fully anti-clockwise (5 second timer set).
- (3) Set the 'Light-Level' sensor adjustment fully anti-clockwise (device set to respond in light or dark conditions).
- (4) Loosen the centre mounting screw slightly, and aim the sensor head towards the desired 'Field of View'. Tighten the centre mounting screw.
- (5) Walk slowly around the area in the desired 'Field of View' to confirm the load is activated from within the desired area.
  - Check that the device responds appropriately when entering the room.
  - Check that the device does not trigger unnecessarily when walking past open entry ways (eg adjoining hallway or corridor). If necessary, re-aim the sensor head.
- (6) Set the 'Light-Level' as desired for activation at dusk for normal operation.
- (7) Set the 'Time-On' interval to the desired time for normal operation.



**Time-On Adjustment**

Adjustment Range: 5 seconds to 20 minutes. Rotate clockwise to set required time-out period.



## NOTICE

### RISK OF DAMAGE TO DEVICE




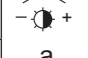
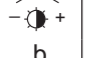

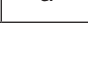
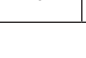
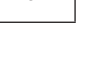
Take care not to scratch/damage the translucent window on the front of the device as it forms part of the optical detection system. For continued optimum performance ensure that the window is cleaned periodically with mild soap, water and soft cloth.

**Failure to follow these instructions can result in equipment damage.**

### Light-Level Adjustment

Adjustment Range: 1 lux to full sunlight.





Rotate clockwise to avoid having load activated when natural light is adequate.

a	To activate the load at dusk, set adjustment to this area			
b	Load activated at night only			
c	Load activated both day and night			

## Troubleshooting

Problem	Possible Cause	Possible Action
Light turns on for no apparent reason.	Momentary power failure.	None, device will reset after 'Time-Out'.
	Unseen target.	Check for animals.
	Extreme draughts of hot and cold air.	Check doors, windows or air conditioning outlets.
	Trees / bushes moving in the wind.	Re-aim sensor head.
Light turns on during daylight.	Vehicular or pedestrian traffic on edge of 'Field of View'.	Re-aim sensor head.
	Wrong setting on 'Light Adjustment'.	Reset according to 'Commissioning' Instructions.
Lights do not turn on in dim and dark conditions.	Wrong setting on 'Light Adjustment'.	Reset according to 'Commissioning' Instructions.
	Light globe blown.	Replace light globe.
Light remains permanently on.	Manual override switch fitted and set to 'Manual'.	Reset according to 'Commissioning' Instructions.
	Moving infrared source being detected. <b>Note:</b> Do not mount too close objects which can change temperature rapidly, eg air conditioner vents, heater flues, moving water (fountains, sprinklers).	Remove unwanted infrared source. If unable to resolve, blank off viewing window. Light should turn off after 'Time-Out'. If light still remains on, call installer.

## Technical Specifications

Operating Voltage	220-240V a.c. @ 50Hz
Maximum Load Current	10A
Minimum Load (Watts)	0W
Maximum Off-State Leakage Current	0mA
Stand-By Power Consumption	< 1W
Conductors Required	3 Wire
Neutral Required	Yes
Operating Temperature Range	0° - 40°C
Warm-Up Time	30 seconds
Rated Detection Field at Maximum Sensitivity *	6m x 6m, 8.5m from Sensor Head. Head Rotatable through 120°
Optimal Mounting Height for Rated Detection Field	2.4m with Sensor head vertically orientated
Timer Delay Range	5 sec – 20 min
Light Level Inhibit Threshold	Continuous from 1 lux to full sunlight, user adjustable
Mounting Surface	Wall or Ceiling mount (flat surface required)
Mounting Centres	50mm, 60.3mm, 84mm
International Protection Rating	IP44
Overall Dimensions	100mm diameter x 57mm high
Cables Accommodated	3 terminals, up to 1 x 2.5mm <sup>2</sup> cable per terminal
Compatible Load types	 Incandescent  240V Halogen  Fluorescent  300W LEDi Lamp (upto 12 lamps) <b>M</b> Motors ( 5 A max.) <b>M20</b> Locked rotor current

### Note:

- Specifications Typical @ 240V a.c, 25°C
- This product is recommended for INDOOR USE ONLY

\* The range specifications given are based on a 90kg person travelling at greater than one metre per second across the field of view, where there is a temperature differential greater than five degrees Celsius between the person and the background. Objects that are hotter or moving faster (e.g. motor vehicle on nearby roadway) may be detected at greater distances. A person covered in heavy clothing or walking directly towards the sensor may not be detected until they get much closer to the device.

\*\* Only iron-core transformer compatible with electronic switches may be used to ensure compliance with IEC 60669-2-1

## Customer Care

### Warranty information (Australia)

We warrant this product for 2 years—visit <https://www.schneider-electric.com.au/en/aboutus/legal/terms-and-conditions.jsp>

Our goods also come with guarantees that cannot be excluded under the Australian Consumer Law. You are entitled to a replacement or refund for a major failure and compensation for any other reasonably foreseeable loss or damage. You are also entitled to have the goods repaired or replaced if the goods fail to be of acceptable quality and the failure does not amount to a major failure.

### Warranty information (New Zealand)

We warrant this product for 2 years—visit <https://www.schneider-electric.co.nz/en/aboutus/legal/terms-and-conditions.jsp>

### Schneider Electric (Australia) Pty Ltd

33-37 Port Wakefield Road,  
Gepps Cross, SA 5094

**Customer Care:** 13 73 28

**Email:** [customercare.au@schneider-electric.com](mailto:customercare.au@schneider-electric.com)

**www.schneider-electric.com.au**

### Schneider Electric (NZ) Ltd

Building 6, 60 Highbrook Drive, East Tamaki, 2013,  
New Zealand

**Customer Care:** 0800 652 999

**Email:** [sales@nz.schneider-electric.com](mailto:sales@nz.schneider-electric.com)

**www.schneider-electric.com**

Schneider Electric reserves the right to change specifications, modify designs and discontinue items without incurring obligation and whilst every effort is made to ensure that descriptions, specifications and other information in this instruction is correct, no warranty is given in respect thereof and the company shall not be liable for any error therein.

© Schneider Electric 2021. This material is copyright under Australian, New Zealand and international laws. Except as permitted under the relevant law, no part of this work may be reproduced by any process without prior written permission of and acknowledgement to Schneider Electric.