



30USBAM
PDL642MUSBA

USB Charger 30/600-Series Module

- 1 Follow the installation instructions
- 2 Setting up the USB port

Customer care

Warranty information (Australia)
We warrant this product for 2 years.

Visit <https://www.se.com/au/en/about-us/legal/terms-and-conditions.jsp> for details.

Our goods also come with guarantees that cannot be excluded under the Australian Consumer Law. You are entitled to a replacement or refund for a major failure and compensation for any other reasonably foreseeable loss or damage. You are also entitled to have the goods repaired or replaced if the goods fail to be of acceptable quality and the failure does not amount to a major failure.

Warranty information (New Zealand)
We warrant this product for 2 years.

visit <https://www.se.com/nz/en/about-us/legal/terms-and-conditions.jsp> for details.

Schneider Electric (Australia) Pty Ltd
33-37 Port Wakefield Road,
Gepps Cross, SA 5094
Customer Care: 13 73 28
Email: customercare.au@schneider-electric.com
www.schneider-electric.com.au

Schneider Electric (NZ) Ltd
Building 6, 60 Highbrook Drive
East Tamaki, Auckland 2013
Customer Care: 0800 652 999
Email: sales@nz.schneider-electric.com
www.schneider-electric.co.nz

For your safety

⚠️ DANGER

HAZARD OF ELECTRIC SHOCK, EXPLOSION, OR ARC FLASH

- This product must be installed and serviced by appropriately qualified and/or Licenced electrical personnel.
- Isolate the electrical supply before doing any work on the product.
- Ensure that the product has been correctly installed and tested for safe operation before reconnecting the electrical supply.

Failure to follow these instructions will result in death or serious injury.

⚠️ CAUTION

HAZARD OF EQUIPMENT DAMAGE

Install the device according to instructions in this document.

- Pay attention to the specifications and wiring diagrams related to the installation.
- Do not use this product for any other purpose than specified in this instruction.

Failure to follow these instructions can result in minor injuries, or equipment damage.

⚠️ DANGER

RISK OF ELECTRIC SHOCK

Hazardous voltage and electrical current may be present at the wire leads of this product even when the device is switched off.

- Lock out and tag the input circuit before accessing the wiring connections.
- After wiring, wrap the terminal block with insulating tape.

Failure to follow these instructions can result in death or serious injury.

NOTICE

RISK OF EQUIPMENT DAMAGE OR MALFUNCTION (WIRING CONNECTIONS)

To avoid damaging the equipment and possibly voiding the warranty:

- Test operation after installation and correct any wiring errors immediately.
- Keep cable insulation away from the sides of the enclosure to avoid possible damage or long term degradation of the cable insulation.

Failure to follow these instructions can result in equipment damage or malfunction.

For your safety

NOTICE

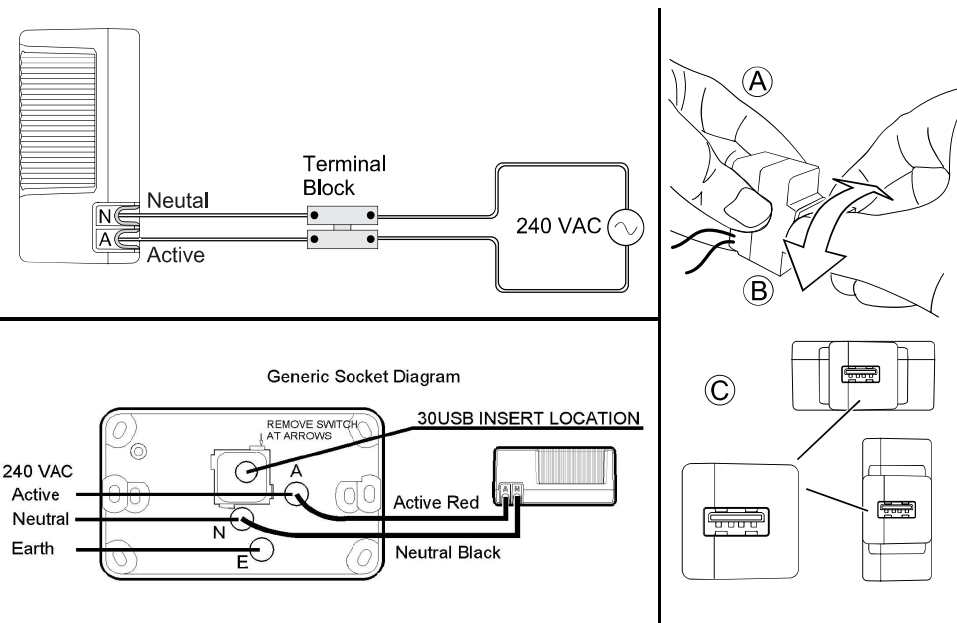
HAZARD OF EQUIPMENT DAMAGE (LOAD)

The USB Charger Module is intended for devices that are designed to be recharged via a USB port. Test operation after installation and correct any wiring errors immediately.

- Do not attempt to connect devices that are not designed to be charged via a USB port.
- Do not parallel-connect the USB port in order to achieve higher current output. It is an intelligent port that communicates with devices to optimise the charge current.
- Always use the USB charging cable supplied with the device to be charged.
- There are no user serviceable parts inside the USB Charger Module.

Failure to follow these instructions may result in damage to the USB Charger Module and connected equipment.

Installation



Setting the USB port

- (1) Hold the body of the USB charger module with one hand (A).
- (2) Use your other hand to rotate the USB Port Head in either direction (B) until the Head clicks into place. The Head rotates in 90° increments.
- (3) Keep rotating the USB Port Head until you reach the desired orientation. Once installed, the USB port orientation should be as shown in (C), or as the customer requires.

Wiring Diagram

- Use the terminal block supplied with the USB charger to connect the module to the mains circuit.
- After wiring, wrap the terminal block with insulation tape.



GEX55398

Socket for USB

Typical socket USB charger mount



Aperture and cap

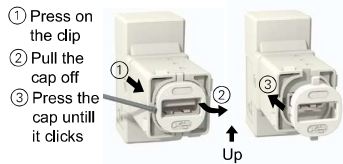
Installing the USB Charger in a 30mech Switch Aperture

The USB Charging Module is a click-fit 30mech device that requires no tools during installation in a compatible switch or socket outlet grid. A white cap is installed in front and it can be replaced with a coloured cap if required.

Cap Removal and Replacement

To remove an installed cap, press on the clip and pull the cap off.

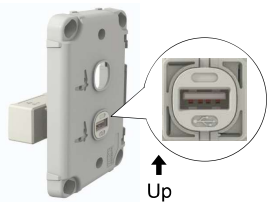
To install a cap, align the clips with the opening in the charger and press the cap until it clicks in place.



Grid Plate Installation

Install the module with the USB logo at the bottom of the aperture. Push the USB module into the 30 series grid plate until a click is heard.

Note: Your grid plate configuration may differ from the illustration



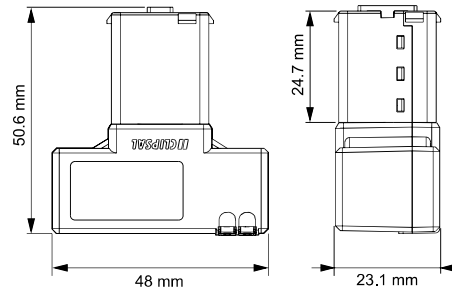
Unit Operation

- Connect device(s) to the USB port(s) on the USB charging module using the USB cable supplied with the device.
- The USB charging module will negotiate with each device to provide optimised charging current.

Troubleshooting

Problem	Recommended Resolution
A connected device is not charging.	<ul style="list-style-type: none"> • Connect the device to the charging port using another compatible USB cable. If the device charges, replace the faulty cable. • Connect the device to another compatible charger. If the device charges, there may be a problem with the module charging port.
A large tablet (or similar high-demand device) takes an unusually long time to charge.	<ul style="list-style-type: none"> • The maximum output from the port may be less than the optimal output required by the device. • If the cable being used to connect the device to the charger is not the cable that was supplied with the device, try a genuine cable.

Dimensions



Technical data

Nominal operating voltage	220–240 VAC				
Nominal operating frequency	50 Hz				
Maximum input current	100 mA				
Nominal output voltage	5.0 VDC				
Maximum output current	1.5 A				
Standby power	<70mW				
Charging	BC1.2, cable compensation & Smart charge				
Operating temperature	0° - 45° C				
Storage and operating humidity	5% ~ 90% Relative Humidity, Non-Condensing				
Storage temperature	0° - 60° C				
USB Connection type	Single USB Type A				
Input Connections	120mm flyleads, 22 AWG (0.64mm dia, 0.33mm ²)				
IP Rating	IP40				
Protection	Short circuit, Over Current and Over Temperature (self regulates output current)				
Plate compatibility	<table border="0"> <tr> <td>30-Mech:</td> <td>Clipsal C2000, SC200, Standard Series, and Saturn and Zen Series</td> </tr> <tr> <td>600-Mech:</td> <td>PDL 600 Modena Series (with PDL adaptor)</td> </tr> </table>	30-Mech:	Clipsal C2000, SC200, Standard Series, and Saturn and Zen Series	600-Mech:	PDL 600 Modena Series (with PDL adaptor)
30-Mech:	Clipsal C2000, SC200, Standard Series, and Saturn and Zen Series				
600-Mech:	PDL 600 Modena Series (with PDL adaptor)				
Socket compatibility	<table border="0"> <tr> <td>30USBAM:</td> <td>Twin socket 2025/ C2025 and 4025/ Z4025</td> </tr> <tr> <td>PDL642MUSBA:</td> <td>Twin socket PDL692USB/ PDL695USB</td> </tr> </table>	30USBAM:	Twin socket 2025/ C2025 and 4025/ Z4025	PDL642MUSBA:	Twin socket PDL692USB/ PDL695USB
30USBAM:	Twin socket 2025/ C2025 and 4025/ Z4025				
PDL642MUSBA:	Twin socket PDL692USB/ PDL695USB				
Compliance	RCM				

Patent Notice

This product is the subject of one or more patent and/or design applications and/or registrations. More information can be found on our website.

Disclaimer

Schneider Electric reserves the right to change specifications, modify designs and discontinue items without incurring obligation and whilst every effort is made to ensure that descriptions, specifications and other information in this catalogue are correct, no warranty is given in respect thereof and the company shall not be liable for any error therein.

© Schneider Electric 2022

This material is copyright under Australian, New Zealand and international laws. Except as permitted under the relevant law, no part of this work may be reproduced by any process without prior written permission of and acknowledgement to Schneider Electric.