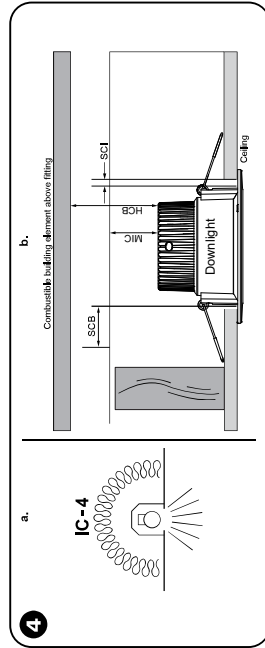
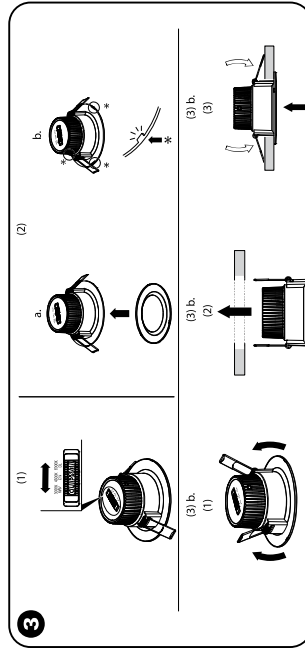
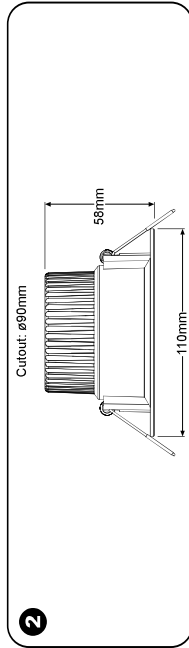
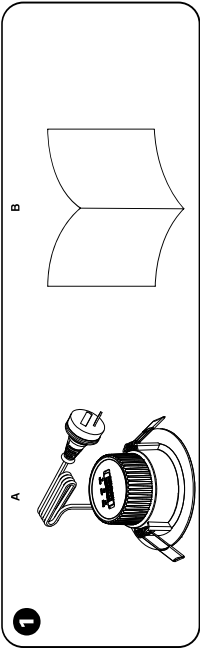


TPDL1C3  
TPDL1C3B6



**en LED Downlight**

**About this product**

An integral driver, Tri-Temperature selection switch and cutting-edge technology combine into a simple and easy to install LED Downlight. The TPDL1C3 LED Downlight is suitable for multiple illumination applications from residential to commercial buildings. The slightly recessed frosted diffuser ensures reduced glare and soft glow output. The integrated colour temperature selector switch enables the choice of 3000K, 4000K and 6000K outputs to ensure the perfect illumination for a wide variety of installations.

**Product Range**

<b>Cat No.</b> TPDL1C3	<b>Configuration</b> LED Downlight, 750 lm, colour temperature selectable (3000K-4000K-6000K), White Trim
TPDL1C3B6	LED Downlight, 750 lm, colour temperature selectable (3000K-4000K-6000K), White Trim, 6 Pack

**Product Range(Sold separately)**

TPDL1T3BC	Brushed Chrome Trim to suit TPDL1C3 Series
TPDL1T3BK	Black Trim to suit TPDL1C3 Series

**Package contents**

- A LED Downlight
- B Installation guide
- Dimensions
- Mounting and installation

**HAZARD OF ELECTRIC SHOCK**

- This product must be installed and serviced by a properly qualified and/or licensed electrical personnel.
- Isolate the electrical supply before doing any work on this product.
- Ensure that the product has been correctly installed and tested for safe operation before reconnecting the electrical supply.
- To comply with all safety standards, the product must be used only for the purpose described in this instruction and must be installed in accordance with the wiring rules and regulations in the location where it is installed.
- The external flexible cable or cord of this luminaire cannot be replaced, if the cord is damaged, the luminaire shall be destroyed. **Failure to follow these instructions will result in death or serious injury.**

**RISK OF BURN INJURIES**

During and after use, the product may be hot. Do not touch the product before it has completely cooled down. **Failure to follow these instructions can result in minor injuries.**

**▲ WARNING**

**SERIOUS EYE INJURY**

- Do not operate with wet hands, and never look directly into the LED light source while it's lighting to avoid damage to the eyes.
- The light source of this luminaire is not protected. The luminaire shall be replaced, end of life, the whole luminaire can result in death, serious injury, or equipment damage.

**Installation requirements**

- Check whether the product has been damaged during transport. Do not operate/install any product which appears damaged in any way. Return the complete downlight to place of purchase for inspection, repair or replacement.
- Take care not to pull any electrical wires during unpacking, as this may damage the connection.
- There are no user serviceable parts inside.

**Dimming**

This downlight has been designed to achieve deep dimming performance, which allows very low levels of light output to provide the perfect atmosphere for all occasions. This downlight is designed to work with Clipsal LED dimming technology. Refer to Clipsal.com/led for the latest dimming compatibility information.

**NOTE:** In some regions of the country a slight flicker may be experienced when the luminaire is dimmed. This is due to power line signals sent by the electricity supply authorities to assist with switching utilities, for example hot water services or changing tariff rates. This effect is not a malfunction of the luminaire or dimmer but a result of local installation conditions changing during the day. If this occurs, adjusting the dimmer back to maximum brightness will help minimize flickering.

**C-Bus® Compatibility**

- This downlight has been designed to work with C-Bus® LED dimming technology. It has not been designed to work with the below models or ranges.
- C-Bus Din Rail Dimmer Models
    - L5504D2U, L5504D2AP
    - L5504D2U, L5504D2UP
    - L5508D1A, L5508D1AP
  - C-Bus Din Rail Dimmer Models
    - 5104D750, 5104D400

**All Professional Range leading edge Dimmers.**

**Pre-Installation**

- (1) **Colour Temperature Selector**
- This downlight has a Tri-Temp colour selector switch allowing the option of 3 different light temperature outputs. Select the desired position prior to installation.

3000K	4000K	6000K
Warm White	Cool White	Cool White

(2) **Clips on trims(if required)**

- a. Remove brushed chrome or black trim from packaging.
- b. Press the trim over the top of the existing white trim prior to installation.

(3) **Installation instructions**

- NOTE:** Make sure the colour temperature is selected and the trim is fitted as described prior to installation.
- a. **Preparation and connection**
    - Isolate power.

- Select a suitable location for installation and create a cutout.
- Connect mains supply to downlight.

**b. Mounting the downlight**

- (1) Fold back mounting springs.
- (2) Insert downlight into cut-out.
- (3) Ease upwards until sitting flush with ceiling.

**Clearances**

- a. This downlight has achieved an IC-4 classification and complies with AS/NZS 60598.2.2. It is classified as an IC-4 recessed luminaire that can be abutted against normally flammable materials, including building insulation, and can be covered in normal use. This type of recessed luminaire is effectively a sealed unit that has restricted flow of air between the habitable room and the luminaire. Do not use caustic cleaning agents.
- b. **Risk of Fire** - Building insulation may abut the sides or top of the luminaire: **SCB** = 0 mm, **HCB** = 30 mm, **MIC** = 0 mm, **SCI** = 0 mm.

**SCB – Side Clearance to Building element**

Minimum distance between the side of the recessed luminaire and any building element.

**HCB – Height Clearance to Building element**

Minimum distance between the top of the recessed luminaire and any building element above it.

**MIC - Minimum Insulation Clearance**

The minimum clearance distance from the top of the luminaire to any building insulation.

**SCI - Side Clearance Insulation**

The minimum clearance distance from the side of the luminaire to any building insulation.

**Technical data**

<b>Parameter</b>	<b>TPDL1C3</b>
<b>Voltage Rating</b>	220 VAC to 240 VAC, 50 Hz
<b>IP Rating</b>	IP54 (from the front) IP20 (from the rear)
<b>Total Power Consumption</b>	7 W
<b>Power factor</b>	> 0.9
<b>CR1</b>	> 80
<b>Colour Temperature (selectable)</b>	3000K, 4000K or 6000K
<b>Lumens (L70)</b>	750 lm
<b>LED Lamp Life</b>	50,000 hrs
<b>Run Current (@230V)</b>	0.028A
<b>Inrush Current</b>	2,14A
<b>Inrush Current Duration</b>	36 µs
<b>Earth Leakage Current</b>	< 0.1 mA
<b>Operating Temperature</b>	-10 °C to +25 °C
<b>Operating Humidity</b>	10% to 95% RH, non-condensing
<b>Storage Temperature</b>	0 °C to +60 °C
<b>Weight (grams)</b>	190 g

<b>Installation</b>	Flex & Plug
<b>Trims (sold separately)</b>	TPDL1T3BC (Brushed Chrome) TPDL1T3BK (Black)

The product is class II.

**Warranty Information (Australia)**

We warrant this product for 3 years—visit <https://www.schneider-electric.com.au/en/about-us/legal/terms-and-conditions.jsp> for details.

Our goods also come with guarantees that cannot be excluded under the Australian Consumer Law. You are entitled to a replacement or refund for a major failure and compensation for any other reasonably foreseeable loss or damage. You are also entitled to have the goods repaired or replaced if the goods fail to be of acceptable quality and the failure does not amount to a major failure.

**Warranty information (New Zealand)**

We warrant this product for 3 years—visit <https://www.schneider-electric.co.nz/en/about-us/legal/terms-and-conditions.jsp> for details.

**Schneider Electric (Australia) Pty Ltd**

Customer Care: 13 73 28  
33-37 Port Wakefield Road, Gepps Cross SA 5094  
Email: [customercare.au@schneider-electric.com](mailto:customercare.au@schneider-electric.com)  
[www.schneider-electric.com.au](http://www.schneider-electric.com.au)

**Schneider Electric (NZ) Ltd**

Customer Care: 0800 652 999  
Building 6, 60 Highbrook Drive, East Tamaki, 2013, New Zealand  
Email: [sales@nz.schneider-electric.com](mailto:sales@nz.schneider-electric.com)  
[www.schneider-electric.com](http://www.schneider-electric.com)

Schneider Electric reserves the right to change specifications, modify designs and discontinue items without incurring obligation and whilst every effort is made to ensure that descriptions, specifications and other information in this instruction is correct, no warranty is given in respect thereof and the company shall not be liable for any error therein.

© Schneider Electric 2023

This material is copyright under Australian, New Zealand and international laws. Except as permitted under the relevant law, no part of this work may be reproduced by any process without prior written permission of and acknowledgement to Schneider Electric.