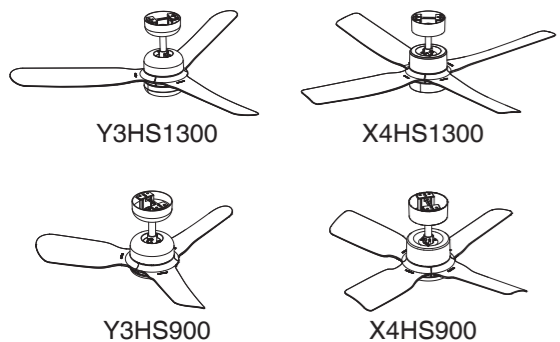


**CLIPSAL**

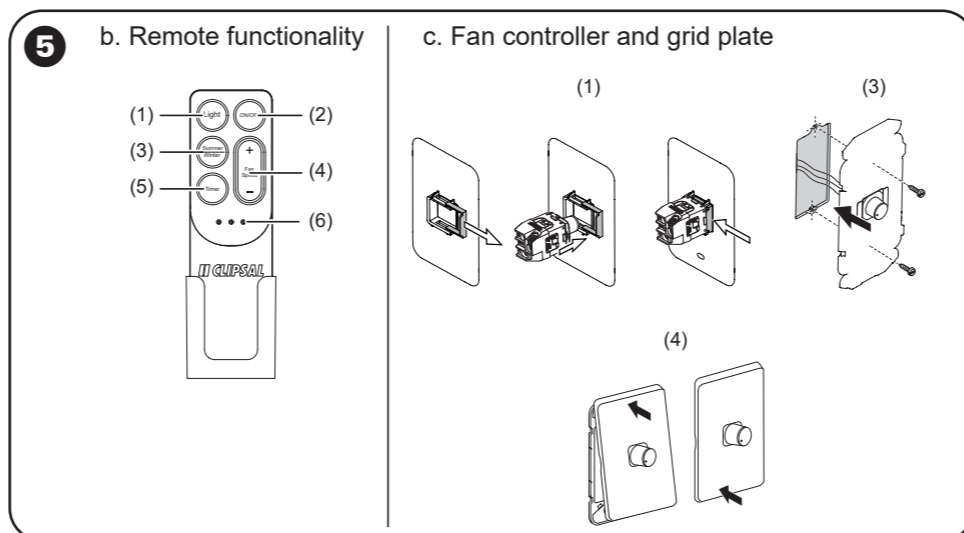
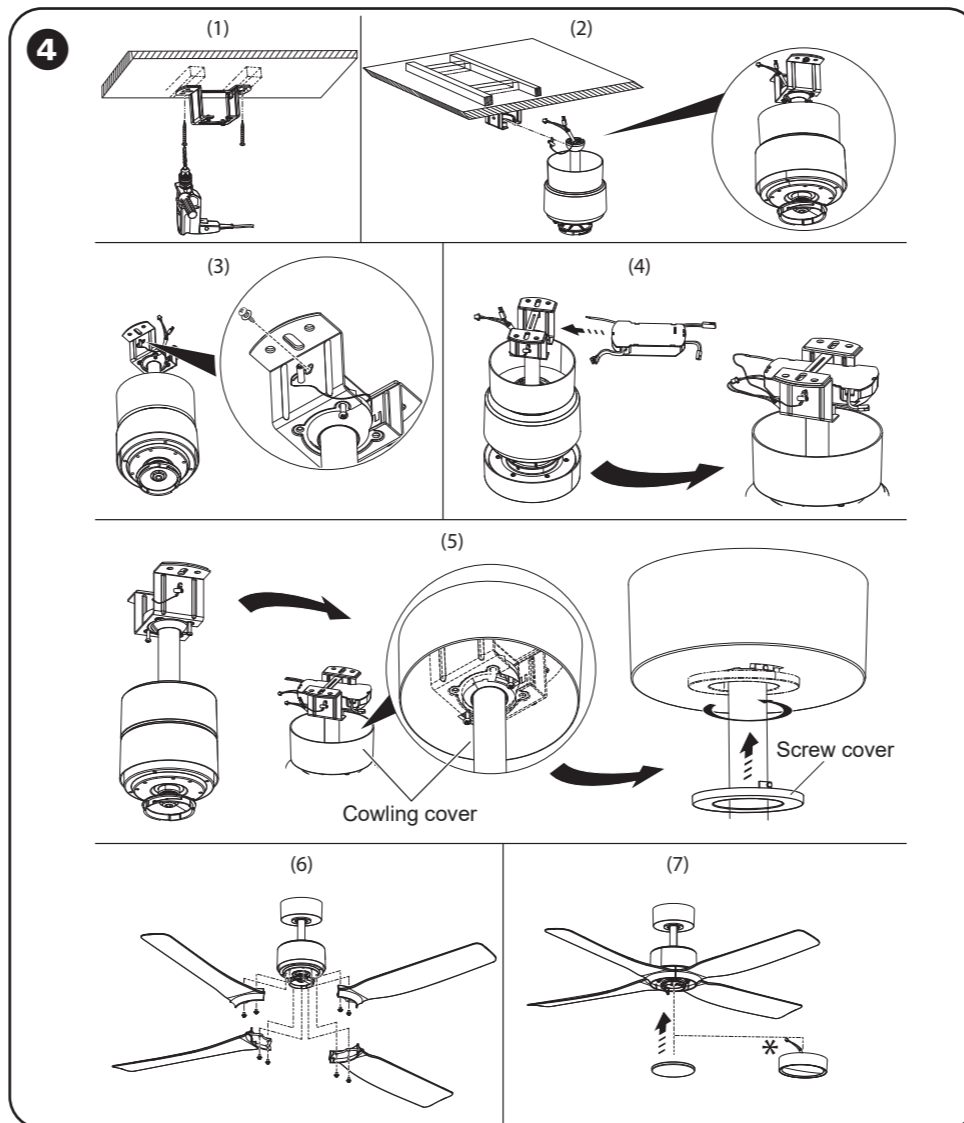
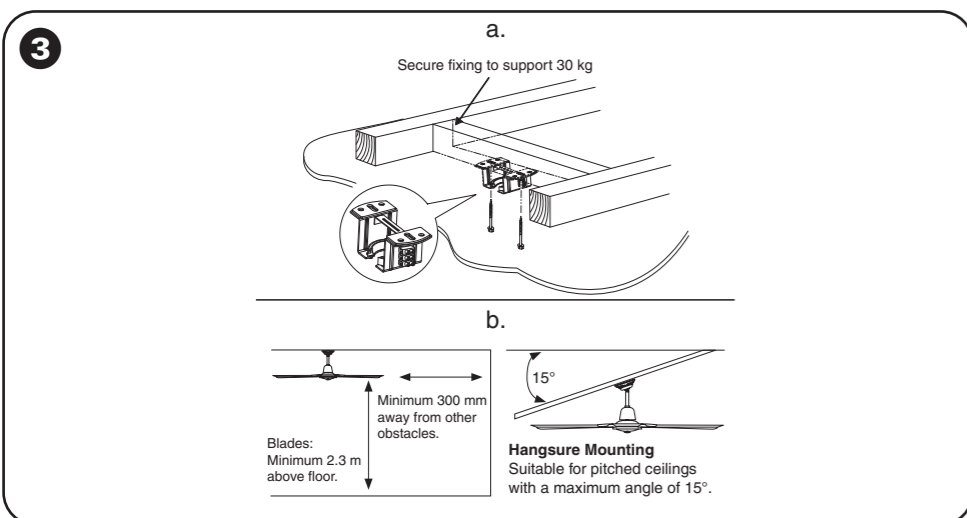
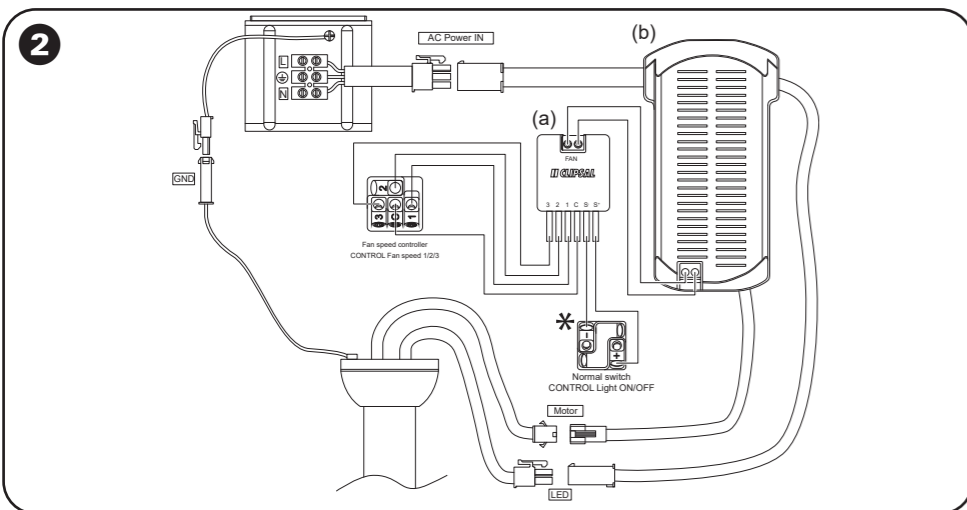
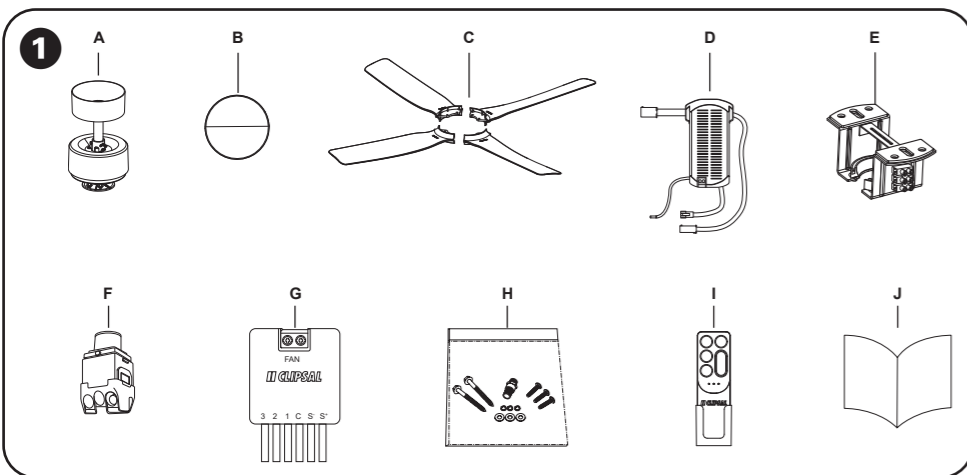


Read operator's manual

**Schneider Electric**



Fans for tropical climate



**Ceiling Sweep Fan**

**Product Range**

Cat No.	Description
Y3HS1300	3 Blades, Hangsure Mounting, 1300 mm
Y3HS900	3 Blades, Hangsure Mounting, 900 mm
X4HS1300	4 Blades, Hangsure Mounting, 1300 mm
X4HS900	4 Blades, Hangsure Mounting, 900 mm
YLEDMOD	LED Light module
XLEDMOD	LED Light Module
XYDR1200	Down rod 1.2 mm
XYREMOTE	Remote Control

**1 Package contents**

- A Motor assembly
- B Fan cover
- C Fan blades
- D Fan driver
- E Hangsure bracket
- F Iconic 3 speed fan controller - 40RSM3 (The grid plate, specifically 3041VH or 3042VH, must be procured separately.)\*
- G Fan control module
- H Screw pack (1 x safety cable screw (round head, 20 x 10 mm))  
4 x Hangsure bracket timber screws (M5 x 35 mm)  
Screws for Blades (20 x 15mm): 9 pieces for 4 blades and 7 pieces for 3 blades (incl. spare).
- I Remote control
- J Installation guide

**NOTE:** You must purchase the regular switch and the grid plate separately.

**2 Wiring diagram**

The connection between fan controller module(a) and the fan driver(b) is non-polarized.

\* Not included.

**3 Pre-Installation**

**a. Mounting the fan support bracket**

**CAUTION**

**IMPORTANT INSTALLATION SAFEGUARDS**

- Select a suitable location to mount the hangsure fan support bracket. The mounting bracket must be fixed to a solid structural member, such as a ceiling joist or a securely fixed noggin, that is capable of supporting 30kg.
- The fan should be mounted so that the blades are at least 2.3 m above the floor, and 300 mm from the tip of the blade to the nearest object or wall(s). (Illustration 3 b.).
- The fan hanging system supports a maximum deviation of 15-degree on angled ceiling installations (figure 3 b.).
- Means for disconnection must be incorporated in the fixed wiring in accordance with the wiring rules.
- Replacement of parts of the suspension system device shall be performed by the manufacturer or its service agents only.
- The light source contained in this luminaire shall only be replaced by the manufacturer, its service agent, or a similar qualified person.

**Failure to follow these instructions can result in injury, equipment damage or unnecessary vibration or noise.**

**b. Clearances and angled ceilings**

**4 Mounting and installation**

**IMPORTANT**

- Check whether the product has been damaged during transport. Do not operate/install any product which appears damaged in any way. Return the complete product to place of purchase for inspection, repair or replacement.
- The fixing means for attachment to the ceiling such as hooks or other devices shall be fixed with a sufficient strength to withstand 4 times the weight of the ceiling fan.

- LED light module (type: YLEDMOD-WH, YLEDMOD-BK, XLEDMOD-WH, XLEDMOD-BK) may be installed in a fan constructed for this purpose.

**▲ ▲ DANGER**

**HAZARD OF ELECTRIC SHOCK**

- Take care not to pull any electrical wires during unpacking, as this may damage the connection.
- This product must be installed and serviced by appropriately qualified and/or licensed electrical personnel.
- Isolate the electrical supply before doing any work on this product.
- Ensure that the product has been correctly installed and tested for safe operation before reconnecting the electrical supply.
- To comply with all safety standards, the product must be used only for the purpose described in this instruction and must be installed in accordance with the wiring rules and regulations in the location where it is installed.

**Failure to follow these instructions will result in death or serious injury.**

**▲ CAUTION**

**EQUIPMENT OPERATION HAZARDS**

- If unusual oscillating movement is observed, immediately stop using the ceiling fan and contact the manufacturer, its service agent or qualified persons.
- This appliance is not intended for use by persons (including children) with reduced physical, sensory or mental capabilities, or lack of experience and knowledge, unless they have been given supervision or instruction concerning the use of the appliance by a person responsible for their safety.
- The unit must be installed high enough so that it cannot be reached by children to avoid bodily harm.

**Failure to follow these instructions can result in injury or equipment damage.**

**Mounting and installation instruction**

**NOTE:** Before installing the fan, make sure the fan is installed away from the sunlight.

- (1) Use appropriate screws to secure the Hangsure bracket to the ceiling joist or structure.
- (2) Attach the blades to the motor body with supplied screws. Ensure all screws are tightened and secure.
- (3) Lift this motor/blade assembly onto the mounting bracket ensuring the registration slot of the hanger ball is positioned on the stopper of the mounting bracket to prevent the fan from rotating when in operation.
- (4) Fasten the safety cable to the Hangsure bracket using a screw.
- (5) Insert the fan driver into the Hangsure bracket and connect the wires according to the wiring diagram.

**NOTE:** Wiring will be easier if driver is installed in the correct way.

This sweep fan and light module can be controlled either via remote or wall switch or both. If you require the wall switch control please follow wiring instructions in diagram 2. If you do not require the wall control then the fan controller module is simply not wired into the installation (1G).

- (6) Lift cowling cover into place and ensure screw holes align with screw holes on mounting bracket. Tighten to secure in place. Lift screw cover into place and rotate until you hear it "click" in place.
- (7) Mount the fan cover on the bottom of the fan assembly by twisting the cover in place until fully secured.  
\* If you require an LED light, this can be purchased separately. Use M3 or smaller screwdriver to push the clip between the cover and main body, then untwist the cover. Connect

the LED module connector and fan assembly connector firmly, and twist the module in place until it is fully secured.

#### The maintenance cycle and method of maintenance

- The maintenance cycle recommended annually.
- It must be maintained only by a qualified and/or licensed electrical personnel.

### ⚠ CAUTION

#### IMPORTANT CLEANING SAFEGUARDS

- Isolate the electrical supply before cleaning the product.
- Use a soft brush or lint free cloth to avoid scratching the product.
- Do not use water when cleaning your ceiling fan as it could damage the motor or blades and create the possibility of an electric shock.
- The motor has a permanently lubricated ball-bearing so there is no need to oil.
- Clean the blade with a damp cloth when dirty. Do not use chemical liquid to clean the product.

**Failure to follow these instructions can result equipment damage.**

#### Technical data

Cat No.	Y3HS1300	Y3HS900	X4HS1300	X4HS900
Blade quantity	3	3	4	4
Blade diameter	1300 mm	900 mm	1300 mm	900 mm
Operation temp range	10° C to +50° C, 10% - 90% RH			
Storage temp range	-10° C to 50° C			
Voltage rating	230/240 V ~ 50 Hz			
IP Rating	IP20			
Motor type	DC			
Motor power	37 W	32 W	37 W	32 W
Noise level	<55 dB(A)			
Hanging type	Hangsure			
weight of the appliance (kg)	4.5	3.25	5.0	3.5
Air flow	≥ 12000 m <sup>3</sup> /h	≥ 7000 m <sup>3</sup> /h	≥ 12000 m <sup>3</sup> /h	≥ 7000 m <sup>3</sup> /h
LED Wattage	18.5 W			
LED Colour output	3000K/ 4000K/ 6500K			
CRI	≥ 80			
Lumen output	XLEDMOD ≥ 1000 lm ; YLEDMOD ≥ 1200 lm			
LED module operation mode	Non dimmable			

#### 5 Using the remote

**NOTE:** The remote control supplied in the box is already paired as a factory default setting.

##### a. Pairing the remote with the fan

- (1) Shut-off the breaker and wait for atleast 3 seconds before you turn on the breaker.
- (2) Turn on the breaker. Within 5 seconds of power up, press and hold the light button on the remote until the fan emits a beep sound.  
When you hear the beep, the pairing is successful. If not, repeat steps (1) to (3).

##### b. Operating the remote (diagram 5)

- (1) Turns the LED light (if attached) ON or OFF.

**NOTE:** If you press the Light button twice within 5 seconds the colour of the output will cycle between 3000K, 4000K and 6500K and be changed the next time you turn on the light.

- (2) Turns the fan motor ON or OFF.
- (3) To change the fan rotation direction (clockwise/counter-clockwise).
- (4) To increase the fan speed, press "+"; to reduce it, press "-" (leve 1, 2, or 3). The corresponding Green LED will appear on the remote to indicate which speed is selected.
- (5) Set the timer to turn the fan off after 2 h, 4 h, or 6 h. The corresponding Blue LED indicator on the remote will indicate the selection.
- (6) LED Indicator: Green - fan speed level; Blue - timer level.

##### c. Installation of grid plate (diagram 5)

- (1) Fit the switch to the grid.
- (2) Install the wires as per the illustration 2.
- (3) Insert the fan controller on to the grid plate.
- (4) Install the skin on top of the grid plate.

#### 6 Digital Instruction

Scan the QR code to view the Instruction sheet online.

#### Warranty Information

We warrant this product for 3 years—visit

<https://www.clipsal.com/about-us/terms-and-conditions> for details.

Our goods also come with guarantees that cannot be excluded under the Australian Consumer Law. You are entitled to a replacement or refund for a major failure and compensation for any other reasonably foreseeable loss or damage. You are also entitled to have the goods repaired or replaced if the goods fail to be of acceptable quality and the failure does not amount to a major failure.

#### Schneider Electric (Australia) Pty Ltd

Customer Care: 13 73 28

33-37 Port Wakefield Road, Gepps Cross SA 5094

Email: [customercare.au@se.com](mailto:customercare.au@se.com)

<http://www.clipsal.com/warranty>

[www.clipsal.com](http://www.clipsal.com)



BRU33005-00

Schneider Electric reserves the right to change specifications, modify designs and discontinue items without incurring obligation and whilst every effort is made to ensure that descriptions, specifications and other information in this instruction is correct, no warranty is given in respect thereof and the company shall not be liable for any error therein.

© Schneider Electric 2024

This material is copyright under Australian, New Zealand and international laws. Except as permitted under the relevant law, no part of this work may be reproduced by any process without prior written permission of and acknowledgement to Schneider Electric.