

## Clipsal 30USBCM USB Charger

Directions for assembly  
into 2025X, C2025X, 4025X,  
Z4025X Sockets

## Installation Instructions

REGISTERED DESIGN • REGISTERED PATENT

30USBCM: Australian Standard Patent Application No 2011334615



### DANGER

#### HAZARD OF ELECTRIC SHOCK OR ARC FLASH

- This product must only be installed by a licensed electrical contractor or other persons authorised by legislation to work on the fixed wiring of any electrical installation.
- The supply circuit must be turned off, locked and tagged before wiring the 30USBCM.
- The USB module must be connected to a supply circuit protected by an appropriate isolating device.
- Do not attempt to disassemble the module. There are no user serviceable parts inside.
- The 30USBCM is for indoor use only.

**Failure to follow these instructions will result in death, serious injury or equipment damage.**

### NOTICE

#### HAZARD OF EQUIPMENT DAMAGE

- The 30USB Charging Module is designed for charging batteries in rechargeable USB devices only. Any other application can damage the module or the attached equipment.
- Never insert anything except a USB cable plug in the module aperture. In the event of a short-circuit condition, the fuse inside the module will blow and the module will be rendered inoperative.
- The module must not be connected to any load in excess of the rated value of 6 Watts. A high quality USB cable must be used for best results. Avoid using any USB cable longer than 40cm.
- The module is not meant to provide power to operate electronic devices. Do not plug USB flash drives or disk drives into the USB Charging Module.
- Do not Megger Test a circuit that has one or more 30USBCM modules installed. The module contains electronics that will make Megger readings difficult to interpret. The Megger Test Warning Label (supplied with the charging module) must be placed near the isolating device that controls the supply circuit.

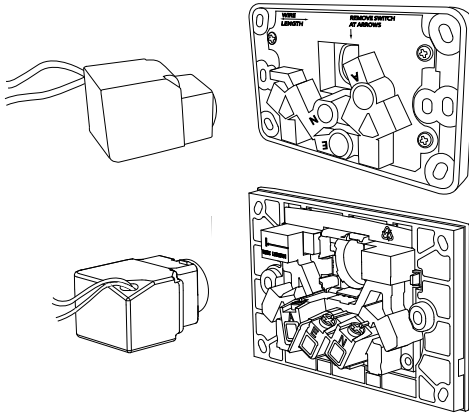
**Failure to follow these instructions can result in equipment damage.**

### General Installation Notes

- A. The 30USBCM must be inserted into the empty aperture after all wiring has been completed. Some of the terminal screws are not accessible once the 30USBCM has been inserted.
- B. The fly leads from the 30USBCM are Active (Red) and Neutral (Black). During installation they must be wired to the correct line from the Mains supply.
- C. There are mechanical compatibility constraints on the mounting hardware for twin sockets with 30USBCM – refer to the table on next page for details.

### Fitting into Twin Sockets

1. Twist or crimp the Mains active with the active wire (red) on the 30USBCM and terminate into the appropriate terminal on the twin socket.
2. Twist or crimp the Mains neutral with the neutral wire (black) on the 30USBCM and terminate into the appropriate terminal on the twin socket.
3. Terminate the mains earth into the earth terminal on the twin socket.
4. Clip the plastic adaptor for 30USBCM onto the front of the 30USBCM.
5. Insert the 30USBCM with adaptor into the extra switch aperture on the twin socket noting the correct orientation of the 30USBCM as per the following diagrams.



1. 30USBCM with standard clip into twin socket 2025 / C2025.
2. 30USBCM with new clip into twin socket 4025 / Z4025.

## Compatible Mounting Hardware for Twin Socket Options

The below table contains the list of compatible mounting hardware for twin sockets fitted with 30USBCM USB Charger.

Reference	Description	2025USBC C2025USBC	4025USBC Z4025USBC
157/1PRM	Plastic wall box 1 gang with sliding recessed nuts		Y
155VNAR	Metal mounting bracket with skew fixing nails and recessed mounting centres	Y	Y
2157/1F	Fire rated wall box 2 gang deep	Y	
157	Metal Wall box 1 gang wide type	Y	
164	Metal wall boxes for poured concrete - standard size wall box 1 gang deep wide type	Y	
154	Mounting wall board clip 1 gang	Y	Y
449B	Single gang mounting block	Y	
157/1PRMD	Plastic wall box 1 gang deep with sliding recessed nuts		Y
155NAR	Metal mounting bracket with skew fixing nails and recessed mounting centres	Y	Y
155PRM	Metal plaster mounted bracket with recessed centres	Y	Y
156/1	Metal mounting bracket 1 gang		Y
155	Metal mounting bracket 1 gang		Y
154RM	Mounting wall board clip with recessed mounting points to fit 5 - 10 mm thick board		Y
157/1F	Fire rated wall box 1 gang		

30USBCM Specification	Value / Description
Supply voltage	230Va.c., nominal
Supply frequency	50Hz
Output voltage	4.75-5.25Vd.c.
Output current	1.2A max. at 5.0Vd.c.
Standby power	Less than 0.07W



Schneider Electric (Australia) Pty Ltd

Contact us: [clipsal.com/feedback](mailto:clipsal.com/feedback)

National Customer Care Enquiries:

**Tel 1300 2025 25 Fax 1300 2025 56**

New Zealand National Customer Care Enquiries:

**Tel 0800 652 999 Fax 0800 101 152**

**clipsal.com**

Schneider Electric (Australia) Pty Ltd reserves the right to change specifications, modify designs and discontinue items without incurring obligation and whilst every effort is made to ensure that descriptions, specifications and other information in this catalogue are correct, no warranty is given in respect thereof and the company shall not be liable for any error therein.

© 2015 Schneider Electric. All Rights Reserved.

Trademarks are owned by Schneider Electric Industries SAS or its affiliated companies.

November 2015