

	Angular Pos / BB	Regulation °C	1111 °C
X	0	~ 60	
Y	180	120 ± 4.5	
Z	270	150 ± 4.5	

Submerged cap. length = 50 mm

Terminals 6.3 x 0.8 mm

Bulb SE/SE COPPER

Capillary SE/SE COPPER

Capil. length 525 ± 25mm

No of spirals Standard

Ø of diameter 20/25 mm

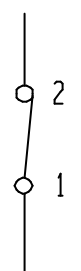
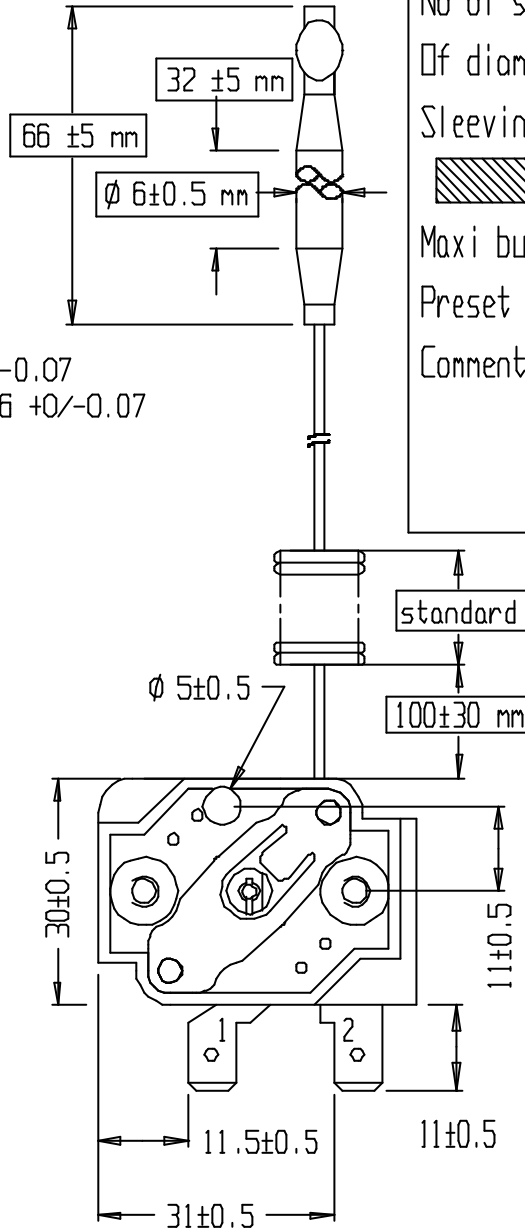
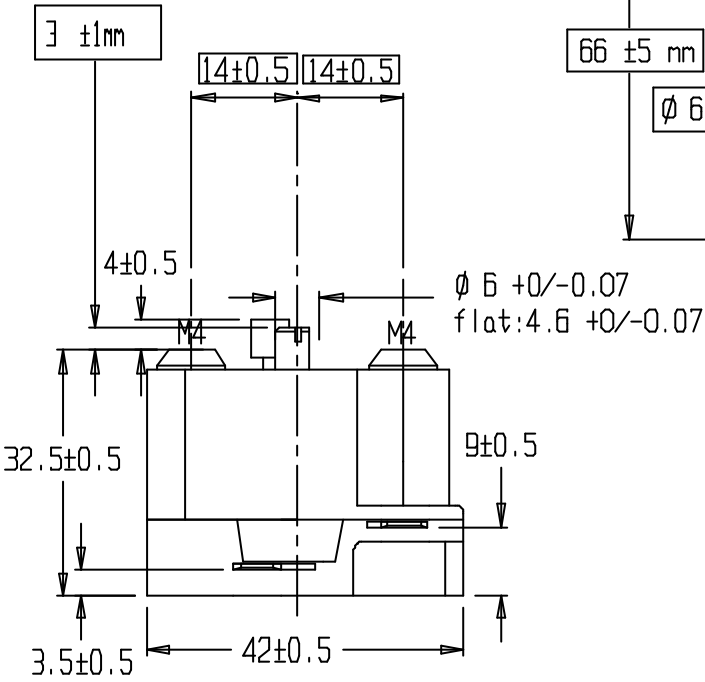
Sleeving SE/SE SE/SE SE/SE

Maxi bulb temp. 161°C

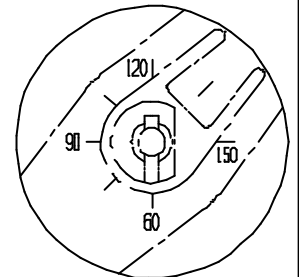
Preset in position : Y

Comments :

spindle in min. position



Graduation :



Marking

COTHERM
 GTLHR051
 1-2 AC 20A 250V
 150 C

NORMS: -Approvals BEAB: EN60730-2-9
 T 100
 1-2 20A 250V~

a	modif marking		23/12/97	DA	23/12/97	BR
REFER.	MODIFICATION		N°: 97223	DATE	VISA	ACCEPTED ON VISA
G.T.:	SAMPLE	DESIGNATION		<i>COTHERM</i>		
Scale : 1/1	N°: E -	GTLH 60 / 150 °C				
Drawn on :	24/03/97	by :	LG	CUSTOMER STOKES		GTLHR051
Approved on :	24/03/97	by :	BR			

THIS DRAWING IS THE EXCLUSIVE PROPERTY OF COTHERM COMPANY AND MUST NOT BE COPIED OR TRANSMITTED TO THIRD PARTIES