

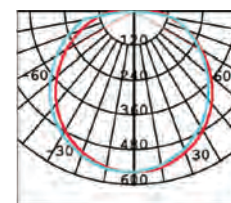
## QUICK FACTS

|               |                                |
|---------------|--------------------------------|
| Input power   | <b>25W</b>                     |
| Power Factor  | <b>≥ 0.9</b>                   |
| IP Rating     | <b>20</b>                      |
| Dimming       | <b>N/A</b>                     |
| Lumen output  | <b>1680lm/ 1840lm / 1800lm</b> |
| CCT           | <b>3000K/ 4200K/ 5700K</b>     |
| CRI           | <b>80</b>                      |
| Beam Angle    | <b>120°</b>                    |
| Fascia Colour | <b>White</b>                   |
| Installation  | <b>Surface Mounted</b>         |
| Warranty      | <b>5 years</b>                 |

PHOTO

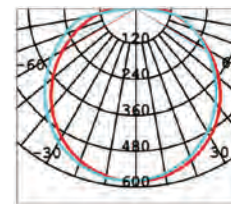


PHOTOMETRIC DIAGRAM



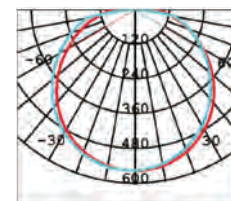
UNIT: cd

- C0/180 118.1deg
- C90/270 122.1deg



UNIT: cd

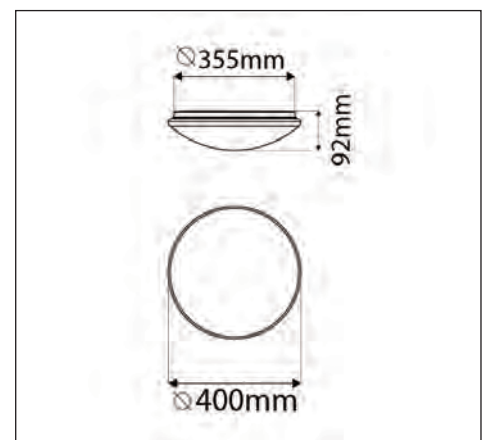
- C0/180 118.3deg
- C90/270 122.3deg



UNIT: cd

- C0/180 118.4deg
- C90/270 121.8deg

DIMENSIONS



## PRODUCT SPECIFICATIONS

|                  |   |
|------------------|---|
| Supply Voltage   | <b>220-240V</b>                           |
| Supply Frequency | <b>50-60Hz</b>                            |
| Cable            | <b>NO</b>                                 |
| Base             | <b>Steel</b>                              |
| Diffuser         | <b>Acrylic</b>                            |
| Driver           | <b>Integral</b>                           |
| Weight           | <b>G.W : 1kgs</b><br><b>N.W : 0.85kgs</b> |
| Ambient Temp     | <b>0°C - 40°C</b>                         |
| Avg. lifetime    | <b>≥50,000 hrs@ ta 25°C</b>               |

Option:  
Emergency Pack, Emergency  
w/ Microwave Sensor

Subject to change without notice, errors and omission excepted. Always make sure to use the most recent release.

## QUICK FACTS

**Motion activated constant current driver**

**Standby power less than 0.5W**

**5.8Ghz microwave, transmission power <0.2mW**

**Detection range, keep time, brightness can be preset**

**Microwave can penetrate non-metallic barrier, such as plastic and glass materials**

## PRODUCT SPECIFICATIONS

Supply Voltage **220-240V**

Supply Frequency **50-60Hz**

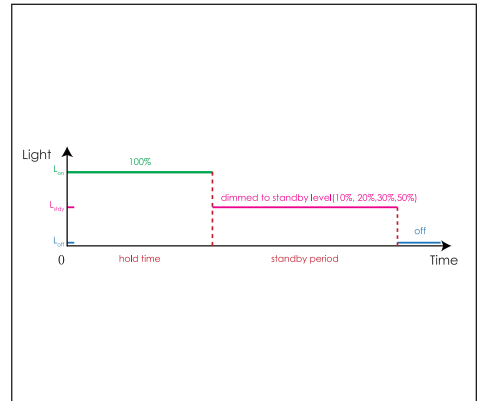
Output Voltage **21-42V**

Output Current **600mA**

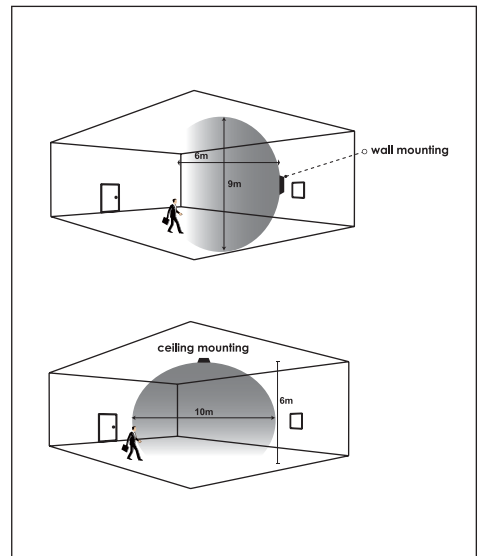
Standby Power **<0.5W**

Detection Area **10m x 6m xH)**

## INTELLISENSOR



## DETECTION AREA



## SETTINGS

| Detection Range |       | Hold Time |         | Daylight Sensor | Standby Period |   | Standby Dimming level |  |
|-----------------|-------|-----------|---------|-----------------|----------------|---|-----------------------|--|
| 1               | 2     | 3         | 4       | 5               | 6              | 7 | 8                     |  |
| 100%            | 100%  | 5s        | Disable | 0s              | 10%            |   |                       |  |
| 50%             | 1min  | 50Lux     |         | 5min            | 20%            |   |                       |  |
|                 | 10min |           |         | 30min           | 30%            |   |                       |  |
|                 | 30min |           |         | +∞              | 50%            |   |                       |  |

**Note:** 1. "0s" means on/off control.  
 2. "+∞" means bi-level dimming control, fixture never switches off.  
 3. Factory default setting: 100% - 1min - 50Lux - 5min - 10%.

Subject to change without notice, errors and omission excepted. Always make sure to use the most recent release.

PHOTO

## EMERGENCY PACK SPECIFICATIONS

## QUICK FACTS

**Intelligent automatic recharging function**

**Automatic output current adjustment**

**Constant current mode**

**3 hour operation**

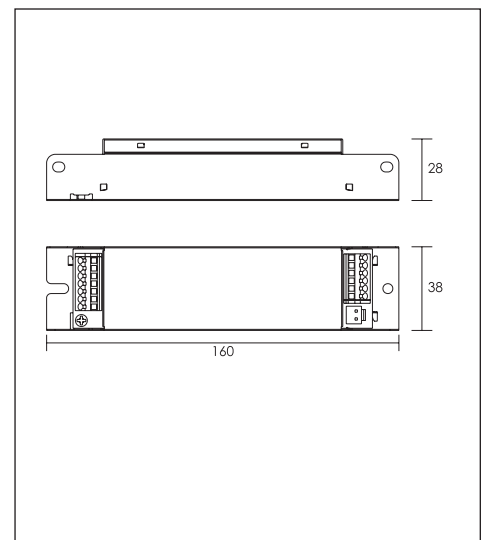
**LED charge status display**

**Deep discharge protection**

**Test switch with self-test function**



DIMENSIONS



## PRODUCT SPECIFICATIONS

|                         |                         |
|-------------------------|-------------------------|
| Battery                 | <b>Ni-Cd 3.6V 3.0Ah</b> |
| EM LED voltage          | <b>6-60V</b>            |
| Max Charge Current      | <b>200mA</b>            |
| Input Current           | <b>40mA</b>             |
| Max Battery Temperature | <b>70°C</b>             |

Subject to change without notice, errors and omission excepted. Always make sure to use the most recent release.