

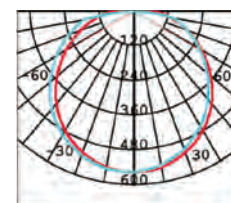
QUICK FACTS

Input power	25W
Power Factor	≥ 0.9
IP Rating	20
Dimming	N/A
Lumen output	1680lm/ 1840lm / 1800lm
CCT	3000K/ 4200K/ 5700K
CRI	80
Beam Angle	120°
Fascia Colour	White
Installation	Surface Mounted
Warranty	5 years

PHOTO

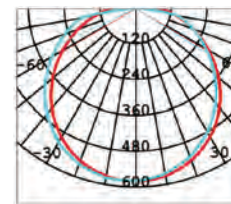


PHOTOMETRIC DIAGRAM



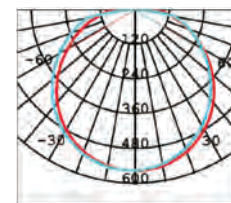
UNIT: cd

- C0/180 118.1deg
- C90/270 122.1deg



UNIT: cd

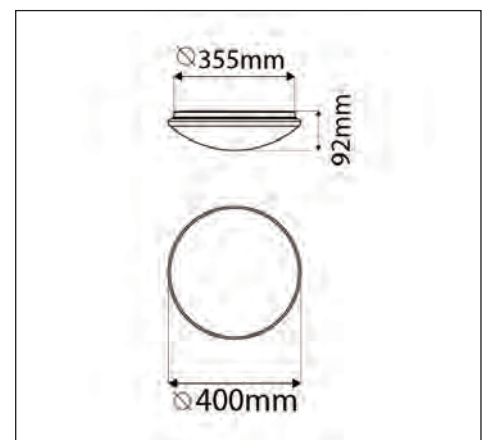
- C0/180 118.3deg
- C90/270 122.3deg



UNIT: cd

- C0/180 118.4deg
- C90/270 121.8deg

DIMENSIONS



PRODUCT SPECIFICATIONS

Supply Voltage	220-240V
Supply Frequency	50-60Hz
Cable	NO
Base	Steel
Diffuser	Acrylic
Driver	Integral
Weight	G.W : 1kgs N.W : 0.85kgs
Ambient Temp	-30°C - 40°C
Avg. lifetime	≥50,000 hrs@ ta 25°C

Option:
Emergency Pack, Emergency
w/ Microwave Sensor

Subject to change without notice, errors and omission excepted. Always make sure to use the most recent release.

QUICK FACTS

Motion activated constant current

driver

Standby power less than 0.5W

5.8Ghz microwave, transmission power

<0.2mW

Detection range, keep time, brightness

can be preset

Microwave can penetrate non-metallic

barrier, such as plastic and glass

materials

PRODUCT SPECIFICATIONS

Supply Voltage **220-240V**

Supply Frequency **50-60Hz**

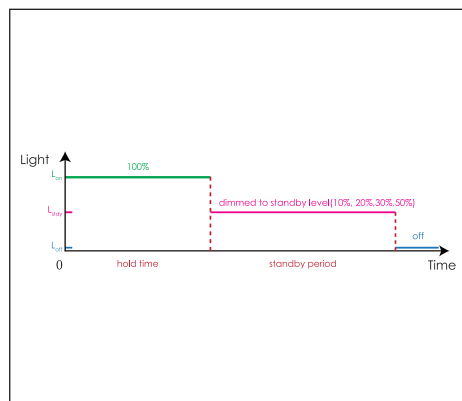
Output Voltage **21-42V**

Output Current **600mA**

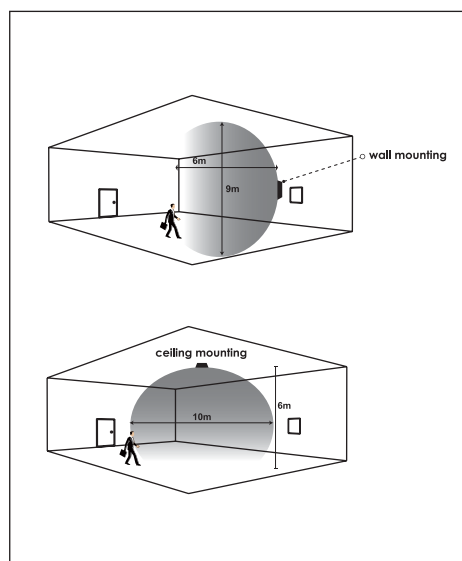
Standby Power **<0.5W**

Detection Area **10m x 6m xH)**

INTELLISENSOR



DETECTION AREA



SETTINGS

Detection Range		Hold Time		Daylight Sensor	Standby Period		Standby Dimming level	
1	2	3	4	5	6	7	8	
100%	100%	5s	Disable	0s	10%			
50%	1min	50Lux		5min	20%			
	10min			30min	30%			
	30min			+∞	50%			

Note: 1. "0s" means on/off control.
 2. "+∞" means bi-level dimming control fixture never switches off.
 3. Factory default setting: 100% - 1min - 50Lux - 5min - 10%.

Subject to change without notice, errors and omission excepted. Always make sure to use the most recent release.