

FS40W5MNW-IP20 (FLEXION)

QUICK FACTS

Input power	40W
Power Factor	≥0.9
IP Rating	20
Dimming	N/A
LEDs	30pcs/M
Lumen output	4040lm
Lumen per metre	808lm
CCT	4000K
CRI	>80
Beam Angle	120°
Fascia Colour	White
Installation	Surface
	3M D/S Tape
Warranty	5 years

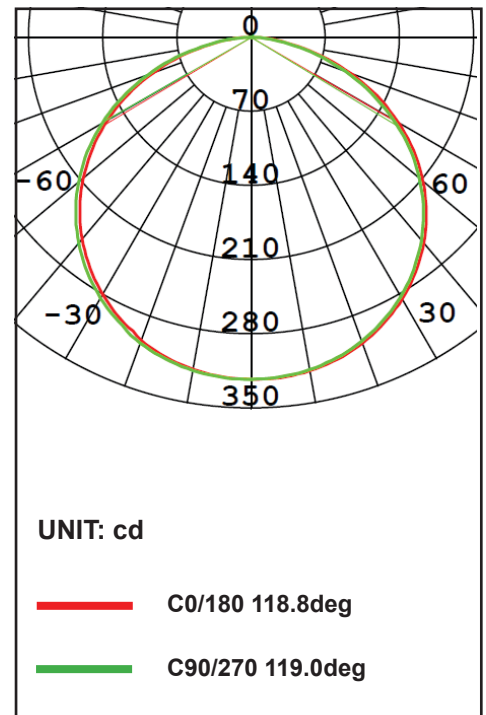
PRODUCT SPECIFICATIONS

Supply Voltage	240-265V
Supply Frequency	50-60Hz
Output Voltage	24VDC
Cable	1.2M Flex&Plug
Body	PCB
Diffuser	PC
Driver	Remote
Weight	G.W : 0.56kgs
	N.W : 0.46kgs
Ambient Temp	-25°C - 50°C
Avg. lifetime	≥50,000 hrs@ ta 25°C

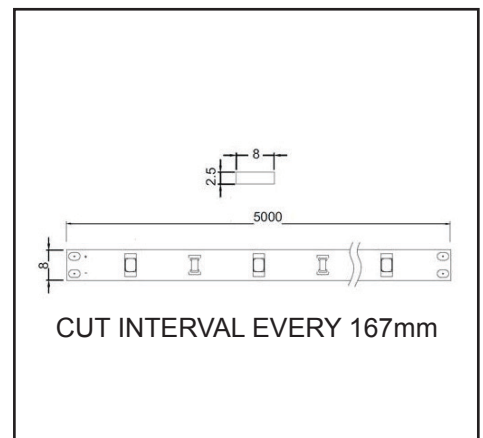
PHOTO



PHOTOMETRIC DIAGRAM



DIMENSIONS



Subject to change without notice, errors and omission excepted. Always make sure to use the most recent release.