

Haneco 75W Constant Voltage Driver

HN-0075-24V-IP20

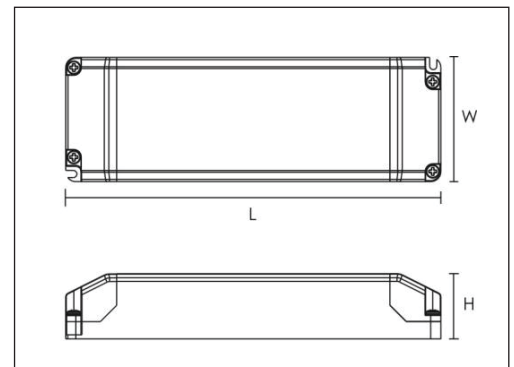
PHOTO

PRODUCT SPECIFICATIONS

Supply Voltage	220-240V
Supply Frequency	50/60Hz
Max Output	75W
Output Voltage	24V
Output Current	3.1A
Power Factor	0.95
Ambient Temp	-20°C to 50°C
Max Case Temp	85°C
Cable	1.2M Flex&Plug
IP Rating	20
Dimensions	L183xW60xH31mm
Weight	350g



DIMENSIONS



Subject to change without notice, errors and omission excepted. Always make sure to use the most recent release.