

HN-0100-24V

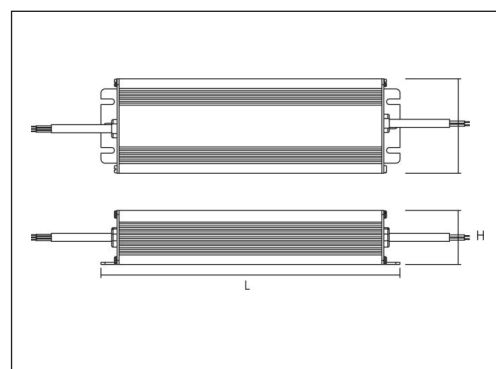
PHOTO

PRODUCT SPECIFICATIONS

Supply Voltage	220-240V
Supply Frequency	50/60Hz
Max Output	100W
Output Voltage	24V
Output Current	4.2A
Power Factor	0.95
Ambient Temp	-20°C - 50°C
Max Case Temp	75°C
Cable	1.2M Flex&Plug
IP Rating	67
Dimensions	L191xW70xH40mm
Weight	780g



DIMENSIONS



Subject to change without notice, errors and omission excepted. Always make sure to use the most recent release.