

SQUARE 17MM FACE

PARALLAX17X15SQ2M

PARALLAX

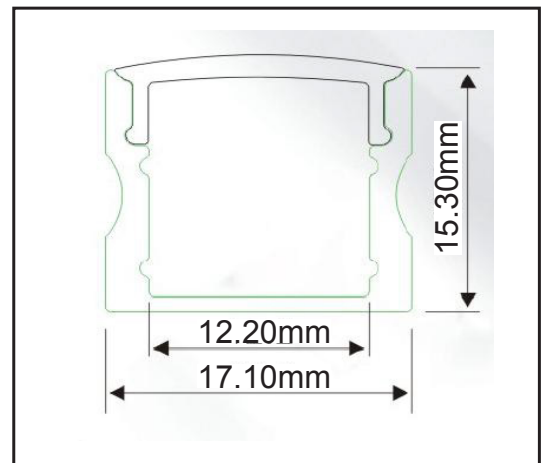
QUICK FACTS

Suits	FLEXION LED strips
Fits	1 LED strip
Length	2m
Beam Angle	120°
Material	Aluminium
Finish	Anodised
Diffuser	Opal Polycarbonate
Installation	Surface mount

PHOTO



DIMENSION



ACCESSORIES

End caps	With hole x1
	Without hole x1
Metal Clips	x4

Subject to change without notice, errors and omission excepted. Always make sure to use the most recent release.