

RECESSED 23MM FACE

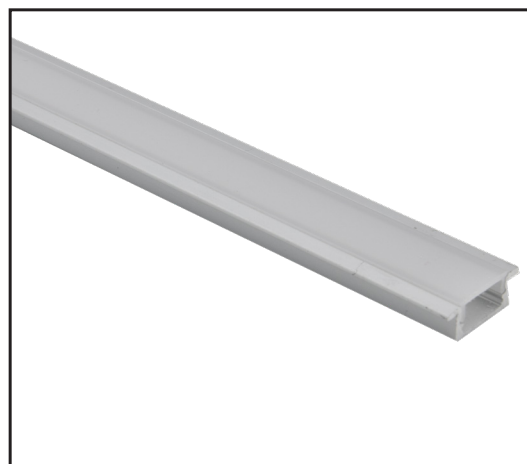
PARALLAX23REC2M

PARALLAX

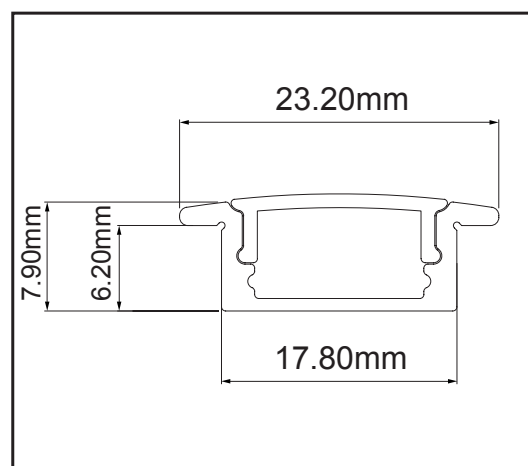
QUICK FACTS

Suits	FLEXION LED strips
Fits	1 LED strip
Length	2m
Beam Angle	120°
Material	Aluminium
Finish	Anodised
Diffuser	Opal Polycarbonate
Installation	Recessed

PHOTO



DIMENSION



ACCESSORIES

End caps	With hole x1
	Without hole x1

Subject to change without notice, errors and omission excepted. Always make sure to use the most recent release.