



www.glg.lighting

LEDsmart+™ Push Button Dimmer

With built in on / off switch and multiway control



Wall plate
not included



Range

MMDM / PB

Overview

Designed in Australia to provide optimised dimming of LED based lamps and drivers, this high quality, two-wire phase control dimmer can be connected in parallel to other LEDsmart+ devices to provide a simple solution to multi-way control.

Although optimised for LED lighting loads, the dimmer also provides excellent compatibility with other common lamp types such as incandescent lamps, 12V halogen (dichroic) lamps and dimmable CFL's.

Features

Suitable for one-way, two-way, three-way and multi-way dimming

MultiMate™ technology allows multi-way dimming / switching with no extra wires

Suitable for both retrofit and new installations

Programmable minimum level, maximum level, kick-start, off state indicator and more

Incorporates filtering to reduce load brightness variation under conditions of line voltage ripple signal injection

Active only 'two wire' connection - no neutral required

Push and hold to dim up/down

No separate switch required - built in tap on / tap off switch

Quiet, soft press button - no harsh click

Illuminated halo with interchangeable coloured bezels (blue/green/orange/clear)

Dim to OFF with most LED light sources

Kid's bedroom mode - double tap when on to dim down over 30 minutes







Wake up mode - double tap when off to dim up over 30 minutes

Selectable fall-back LED Indicator level

1W minimum load



Specifications

Compatible Load Types			
Load Symbol	Load Type	Maximum Load	Notes
	Dimmable LED Lamps	400W	The LED driver must be dimmable. Maximum permitted number of drivers is 400W divided by driver nameplate power rating. Due to variety of LED lamp designs, maximum number of LED lamps is further dependent on power-factor result when connected to dimmer.
	Electronic Transformers	400W	
	Standard Iron-Core Transformers	250W	Due to variety of transformer designs, maximum LV lighting load is further dependent on transformer efficiency.
	Toroidal Iron-Core Transformers	300W	
	Incandescent	350W	
	Dimmable CFLs	400W	Due to variety of CFL designs, maximum number is make/model dependant.

Multi-gang de-rating

In applications where multiple dimmers are installed in a multi-gang plate, a de-rating factor is applied to the maximum load as follows

Number of dimmers per plate	De-rating factor
1	No de-rating
2	0.85
3	0.70
4	0.55
5	0.40
6	0.25

De-rating example

Two Dimmers installed in a wall plate. The maximum LED load which can be connected to each dimmer = $400W \times 0.85 = 340W$ per dimmer

Incompatible Load types

Ceiling Sweep Fans and Exhaust fans

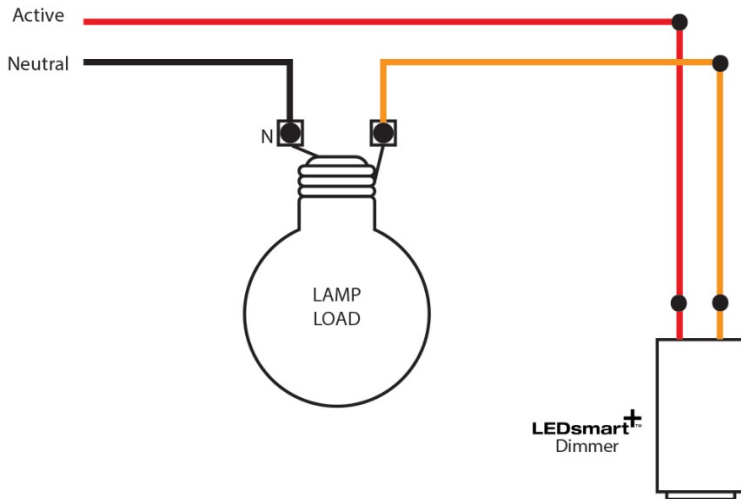
Electrical Specifications	
Nominal Line Voltage Amplitude Range	220-240Vac
Line Voltage Frequency	50Hz Nominal (47-53Hz)
Load Brightness Control Range	0% to 100% (typical for LED loads)
Rated Load	Refer Compatible Loads
Minimum Load	1W
Maximum cable distance from any LEDsmart+ device to the parallel junction point	50m (for example, two dimmers can be separated by up to 100m provided that the maximum distance from the furthest dimmer to the parallel junction point is no more than 50m).



Wiring for one-way dimming and switching

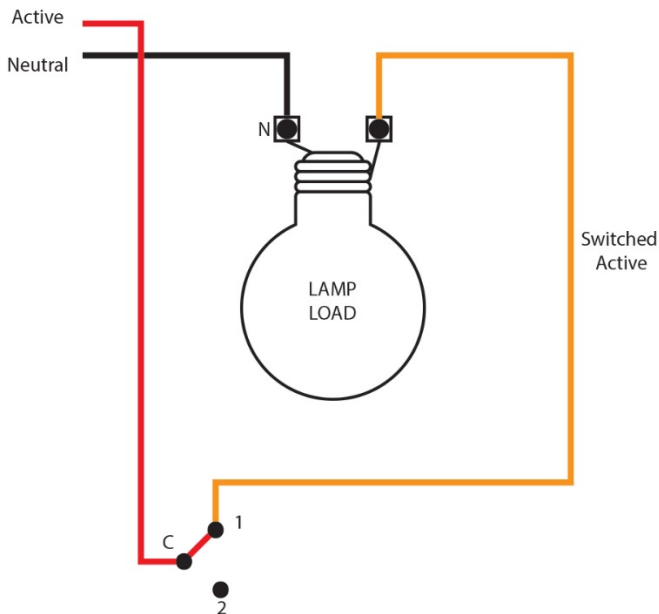
The dimmer has a built in tap on / tap off switch. Therefore, to provide both dimming and on/off control, no separate switch is required.

New Installation – one-way dimming and switching

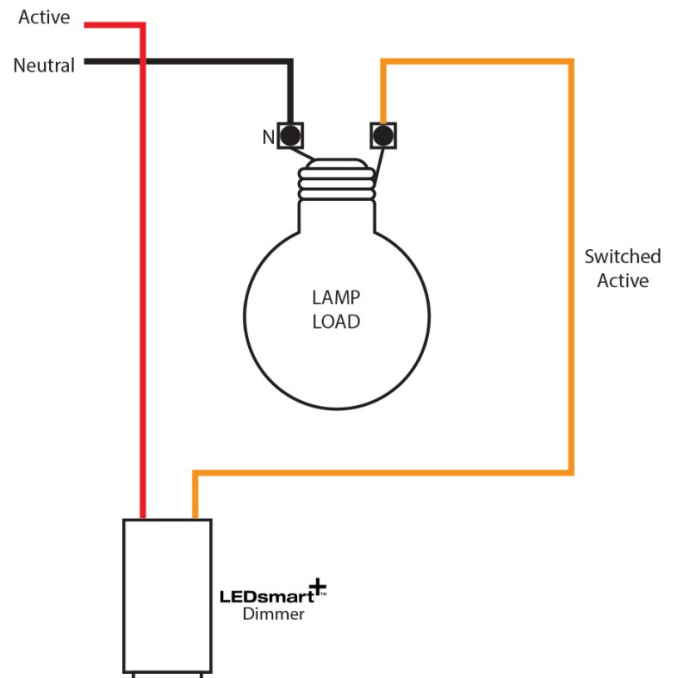


Replacing existing one-way switch with one-way switching/dimming

Existing one-way switching



Replacement one way dimming/switching

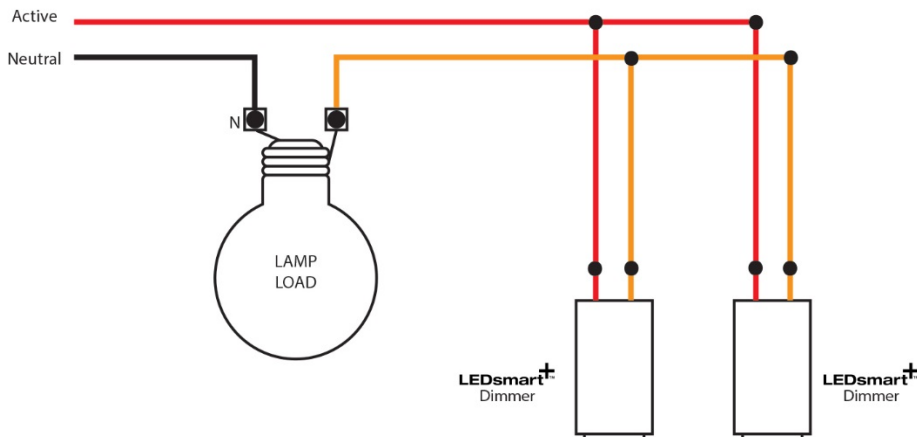




Wiring for two-way dimming and switching

To achieve two-way dimming and switching using LEDsmart⁺ dimmers, the two dimmers are connected in parallel. Note that the dimmers have an integrated switch, therefore no separate switches or additional strappers are required for two-way on/off control.

New Installation – two-way dimming and switching

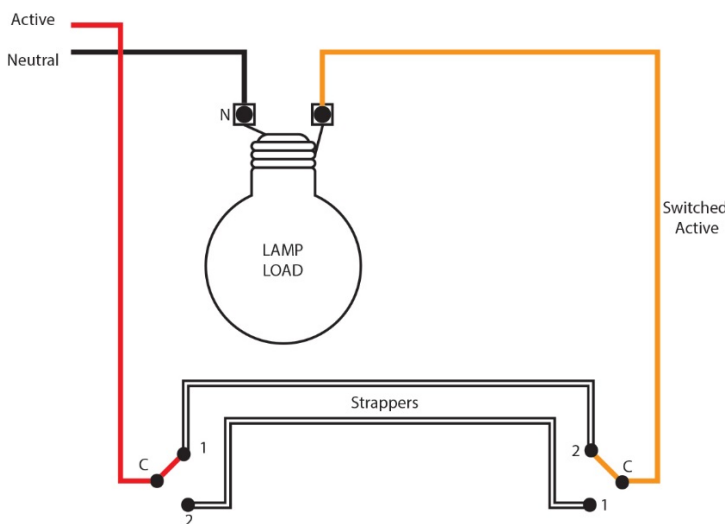


Two-way dimming and switching using LEDsmart⁺ dimmers. Note the two-wire dimmers are simply wired in parallel.

Replacing existing two-way switching with two-way dimming/switching

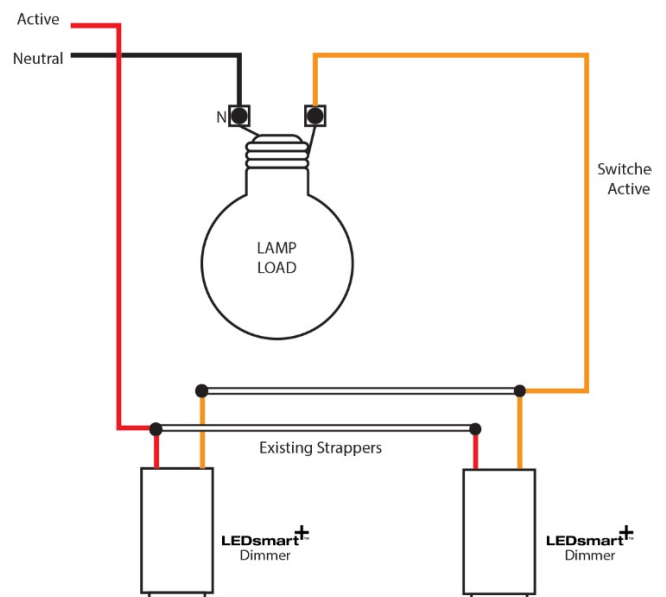
When replacing existing two-way switching with two-way dimming/switching using LEDsmart⁺, the existing two-way ‘strapper’ wires can be re-used. No new wiring is required. See the wiring diagrams below.

Existing two-way switching



Traditional two-way switching using standard rocker switch mechanisms and strappers between the switches.

Replacement two-way dimming/switching



Rocker switches replaced with LEDsmart+ dimmers using the existing strapper wires. No new wiring required.

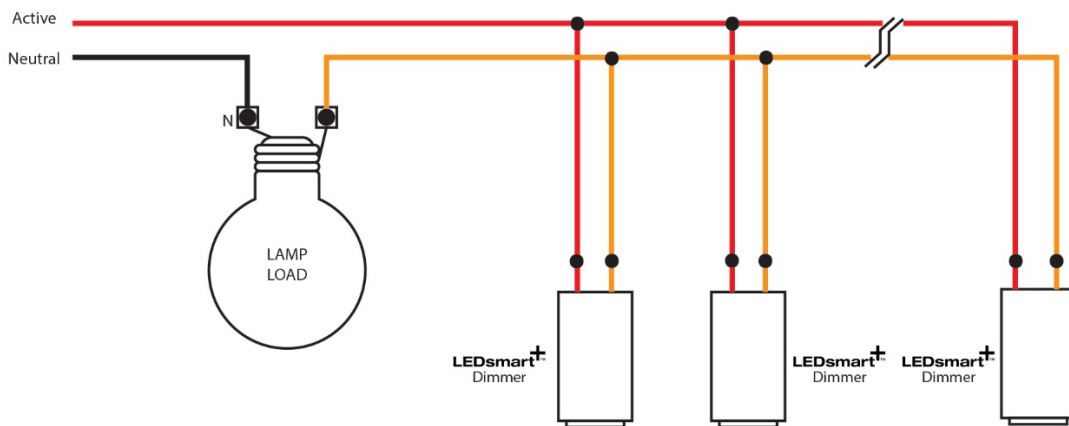


Wiring for multi-way (three-way or more) dimming and switching

To achieve multi-way dimming and switching using LEDsmart⁺ dimmers, the required number of dimmers can be connected in parallel. Note that each LEDsmart⁺ dimmer has an integrated switch, therefore no separate switches or additional strappers are required to provide multi-way dimming and on/off control.

The diagram below shows the required wiring for three-way dimming and switching using LEDsmart⁺ dimmers. If more than three-way control is required, further LEDsmart⁺ devices are simply wired in parallel.

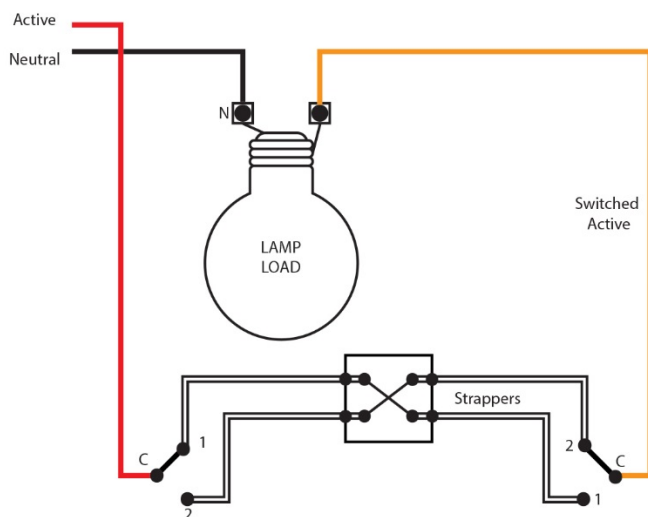
New Installation – multi-way (three-way or more) dimming/switching



Three-way dimming and switching using LEDsmart⁺ dimmers. Note that each two-wire LEDsmart⁺ dimmer is simply wired in parallel.

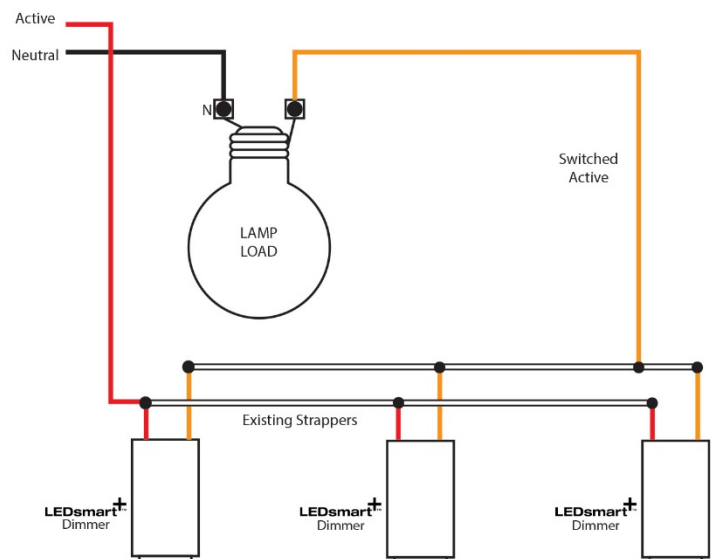
Replacing existing multi-way switching with multi-way dimming and switching

Existing three-way switching



Traditional three-way switching using two rocker switches and one intermediate switch, with strappers between the switches.

Replacement three-way dimming/switching



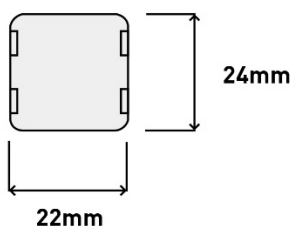
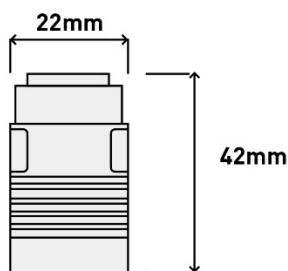
Rocker switches and intermediate switch replaced with LEDsmart⁺ dimmers. The existing strappers are used to connect the dimmers in parallel. No new wiring is required.



LEDsmart+™ Push Button Dimmer

With built in on / off switch and multiway control

Dimensions



Approvals & Compliance

IP20  

CONTACT INFORMATION

Web www.glg.lighting
 General Enquiries: 1300 799 300 sales@pierlite.com.au
 Technical Services: 1300 799 300
 Fax: 1300 789 300

PRODUCT OF GERARD LIGHTING PTY LTD

ABN – 94 122 520 307
 96-112 Gow Street
 Padstow NSW 2211

DIGINET IS A BRAND OF GLG

The product includes a **TWO-YEAR WARRANTY** against manufacturing defects. Fully warranty terms can be found here www.dignet.net.au
COPYRIGHT. ©This document is copyright to Gerard Lighting Pty Ltd. Except as permitted under relevant law, no part of this user and installation guide may be reproduced by any process without written permission of and acknowledgement to Gerard Lighting. **DISCLAIMER.** Gerard Lighting Pty Ltd reserves the right to alter the specifications, designs or other features of any items and to discontinue any items at any time without notice and without liability. While every effort is made to ensure that all information in this user and installation guide is correct, no warranty of accuracy is given and Gerard Lighting shall not be liable for any error. **TRADEMARKS.** The identified trademarks and copyrights are the property of Gerard Lighting Pty Ltd unless otherwise noted.

Disclaimer :

1. Information provided regarding Compatible and Incompatible Load Types is a guide only.
2. Additional device(s) may be required to deal with certain site issues due to unknown factors such as supply impedance, mains ripple and type of load. Please contact Pierlite for more information.
3. Pierlite will not be held responsible for any expenses associated with any additional device(s) required to fix unknown site conditions such as above.