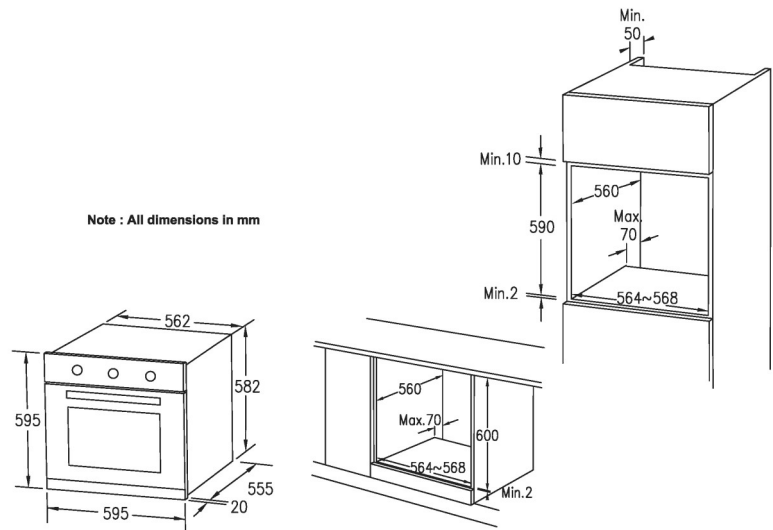


## Built in 600mm Oven – OV604MS



### Product Specifications \*

|                      |   |
|----------------------|---|
| Finish—Exterior      | Fingerprint resistant stainless steel<br>Triple glazed door   |
| Finish—Interior      | High grade easy clean enamel  |
| Dimensions           | 595 (W) x 595 (H) x 575mm (D)   |
| Capacity             | 70L   |
| Power Source         | Electricity 10amp plug in   |
| Functions            |   |
| Standard Accessories | 2 x wire rack<br>1 x baking tray<br>1 x grill insert  |
| Shelves              | 10 levels   |
| Features             | 4 cooking functions with mechanical timer<br>120min cooking timer<br>Oven ventilation system<br>Finger print resistant stainless steel<br>Removable cool touch glass door |
| Warranty             | 3 years   |

\*Specifications and product size may change without notice. Shinda International is not responsible for any errors or omissions.

All dimensions and images are for illustrative purposes and cut-outs should be based on physical product measurements.