

## MURO-PRO-30S 30W Twin Spotlight with Sensor



### Description

Integrating LED technology with the traditional spotlight, the MURO-PRO-30S LED Spot Light provides an efficient and cost-effective solution for outdoor lighting. Constructed from die-cast aluminium, with a glass cover, and rated at IP44, the MURO-PRO-30S is capable of braving the elements while providing you with a consistent wash of LED light over your favourite outdoor areas. The MURO-PRO-30S also features a SENSOR, enabling detection and automatic power-up of this super bright LED spot light.

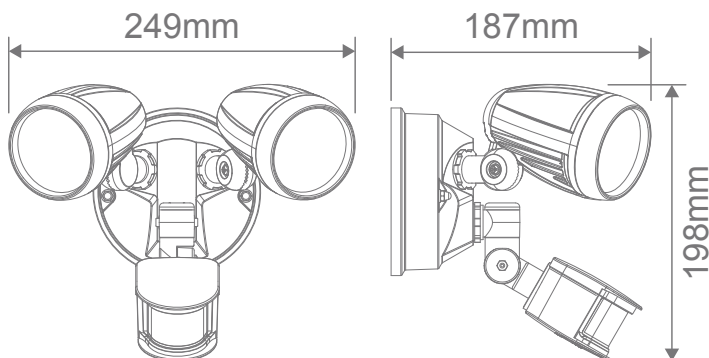
Now with TRIO, the added option of changing the colour temperature output of the spotlight with a dip switch at the back of the fitting.

### Specification Features

Input Voltage:	240V 50Hz
Power (W):	30W
IP rating (IP):	44
Lumens (lm):	Warm White 3000K - 1900lm Neutral White 4000K - 2100lm White 5000K - 2000lm
LED type:	Bridgelux
CCT:	3000K - 4000K - 5000K (Switchable)
CRI:	≥80
Beam angle (°):	120°
Dimmable:	No
Lifespan (hrs):	30,000hrs
Detection Area:	180° angle, approx 12M
Duration:	Adjustable from 10±5 sec to 4±1 min
Lux Control Level:	Adjustable from Daylight to Night
Material:	Die-cast + Glass + ABS



### Diagrams / Additional



Item No.	Variant	Colour
MURO-PRO-30S	25062	Black
	25063	Dark Grey
	25064	White