

## Mounting Brackets

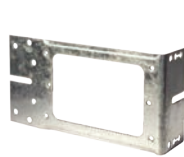
PAGE 1 of 2

**HY1GMBH**  
**HY1GMBV**  
**HY1GMBF**  
**HY1GWBMC**  
**HY1GWBMC13**  
**HY1GWBMC16**  
**HY1GMBVH**  
**HY1GMBNP**  
**HY1GMBVNP**  
**HY1GMBPL**  
**HY1GMBPLR**  
**HY1GMBGN**

\*See current catalogue for further detail

## Hyena Mounting Brackets

- Trader brackets are available for many different construction applications
- They feature 84mm mounting centres with 6/32 UNC standard mounting threads to suit Australian accessories
- The aperture sizes are designed to suit the majority of Australian accessories in the market
- Made from strong durable electro-galvanised zinc steel
- Models available for timber construction, steel frames and brick/masonry applications



HY1GMBH



HY1GMBV



HY1GMBF



HY1GWBMC



HY1GWBMC13



HY1GWBMC16



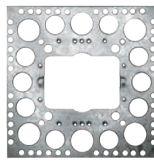
HY1GMBVH



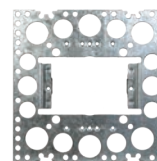
HY1GMBNP



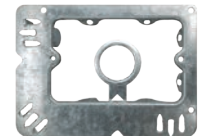
HY1GMBVNP



HY1GMBPL



HY1GMBPLR



HY1GMBGN

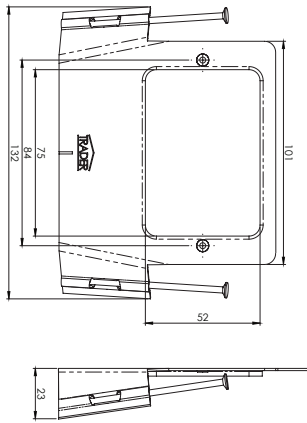
Catalogue Number	Description
HY1GMBH	Mounting Bracket 1 Gang, Horizontal
HY1GMBV	Mounting Bracket 1 Gang, Vertical
HY1GMBF	Mounting Bracket 1 Gang, Flat
HY1GWBMC	Mounting Clip, 1 Gang for 10mm wall panel
HY1GWBMC13	Mounting Clip, 1 Gang for 13mm wall panel
HY1GWBMC16	Mounting Clip, 1 Gang for 16mm wall panel
HY1GMBVH	Mounting Bracket, 1 Gang, Vertical / Horizontal
HY1GMBNP	Mounting Bracket 1 Gang, Horizontal
HY1GMBVNP	Mounting Bracket 1 Gang, Vertical Nail Plate
HY1GMBPL	Metal Plaster Bracket, 1 Gang, Vertical or Horizontal Mounting
HY1GMBPLR	Metal Plaster Bracket, 1 Gang, Vertical or Horizontal, Mounting Recessed for Flat Cat
HY1GMBGN	Mounting Bracket with Gang Nail Fit Off



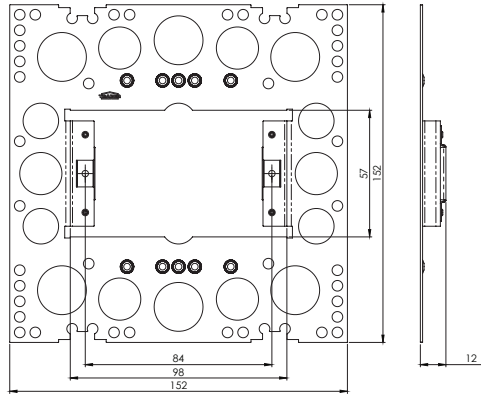
# Mounting Brackets

PAGE 2 of 2

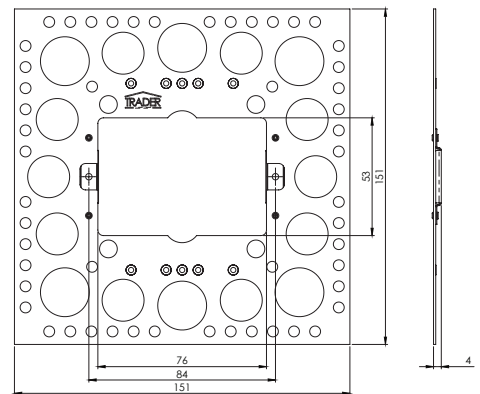
\*See current catalogue for further detail



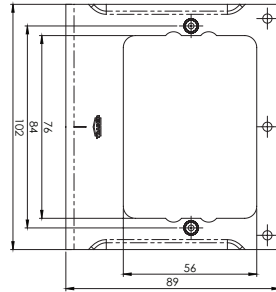
HY1GMBVNP



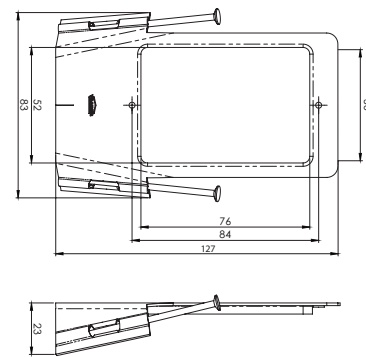
HY1GMBPLR



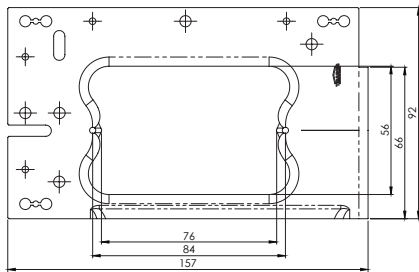
HY1GMBPL



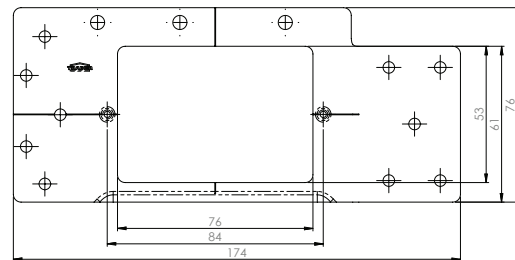
HY1GMBV



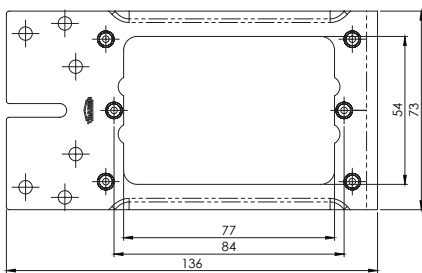
HY1GMBNP



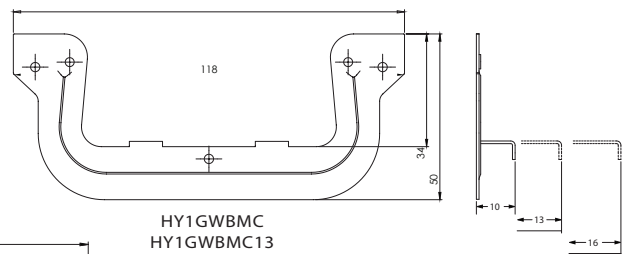
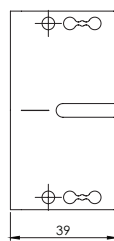
HY1GMBVH



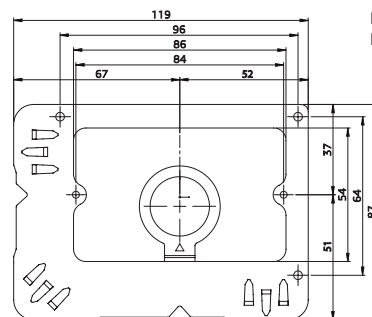
HY1GMBF



HY1GMBH



HY1GWBMC  
HY1GWBMC13  
HY1GWBMC16



HY1GMBGN

**HY1GPWB  
HY1GPWBR**

\*See current catalogue for further detail

## Hyena Wall Boxes

- Sturdy polycarbonate construction and well insulated.
- HY1GPWBR features 7.5mm recessed internal rim for suitability of slim plate ranges to provide more room at the front region of the box aperture
- Strengthened corner features to prevent breakage when hammering into brick recesses.
- Self-gripping claws for sturdy attachment in brickwork.
- Sliding nuts at 84mm centers with protective tape to prevent concrete slurry or dust entering the threads until they are needed for use by the electrician.
- Ideally suited for Trader Flat Cat, Leopard and Cheetah sockets to provide additional space for shallow plate socket features.

Knock-outs/entries:

Rear 1 x 25, 1 x (35 Square)

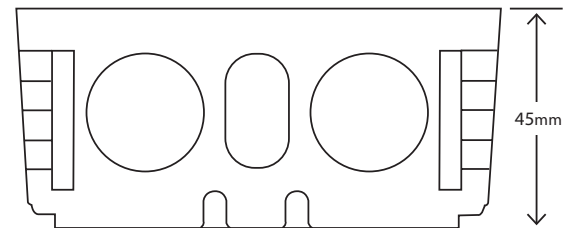
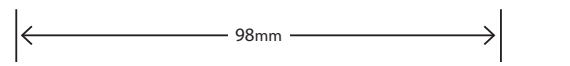
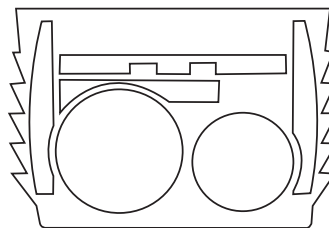
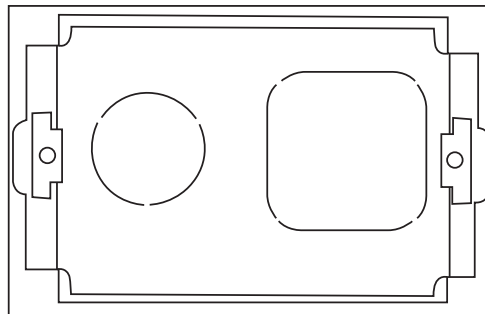
L/H Side 1 x 20, 1x 25

R/H Side 1 x 20, 1x 25

Bottom 2 x 25, 1 x (24x14)

Top 2 x 25, 1 x (24x14)

### HY1GPWBR



Catalogue Number	Description
HY1GPWB	Plastic Wall Box 1 Gang with Sliding Nuts
HY1GPWBR	Plastic Wall Box Recessed 1 Gang with Sliding Nuts

**HYJB3T  
HYJB3TE**

\*See current catalogue for further detail

**Hyena Junction Boxes (3 Fixed Terminals)**



**HYJB43T**  
41mm (w) x 73mm (h) x 26mm (d)



**HYJB43T**  
(Back view)



**HYJB43TE**  
(Inside view showing Earth Tab)

**HYJB3T - Hyena Junction Box with 3 Fixed Terminals**

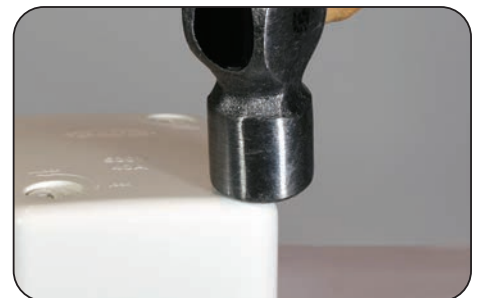
- Cover has single screw for easy quick assembly
- Clean easy to break out entries for cable access
- Strong robust polycarbonate construction
- 41mm (w) x 73mm (h) x 26mm (d)
- Diameter 6.0mm terminal bores

**HYJB3TE - Hyena Junction Box with 3 Fixed Terminals WITH EARTH**

- Junction box with 3 fixed terminals - WITH EARTH MOUNTING TAB CONNECTION
- All other features as above (HYJB3T)



Clean and easy to break out entries for cable access



Strong robust polycarbonate construction



Catalogue Number	Description
HYJB3T	Junction Box with 3 Fixed Terminals
HYJB3TE	Junction Box with 3 Fixed Terminals with Earth Tab Connection

**Certification Number:**  
GMA-504344

**GSM Electrical (Australia) Pty Ltd**  
Level 2, 142-144 Fullarton Road, Rose Park SA 5067  
P: 1300 301 838 F: 1300 301 778 E: service@gsm.com.au  
[www.gsm.com.au](http://www.gsm.com.au)



Data Specification Sheet  
November 2018



**HYJB4TF**  
**HYJB4TFT**  
**HYJBS4T**

\*See current catalogue for further detail

## Hyena Junction Boxes (4 Loose Terminals)



HYJB4TF

68mm (w) x 99.5mm (h) x 47.5mm (d)



HYJB4TFT

68mm (w) x 99.5mm (h) x 47.5mm (d)



HYJBS4T

70mm (w) x 70mm (h) x 35.5mm (d)

### HYJB4TF - Hyena Junction Box with 4 Loose Insulated Connectors Fast Fit Cover - 40A rating

- Junction box with 4 loose terminals.
- Cover has double start plastic threads for easy quick assembly to the base.
- Clean easy to break out entries for cable access.
- Baseplate has captive nails in position ready for use.
- Strong robust polycarbonate construction.
- Supplied with single screw connectors.
- Complies with AS/NZS3000: 2018.
- Clause 1.20.4.2 for Earthing Connectors.

### HYJBS4T - Contains same connectors as HYJB4TF (except has standard screw on cover)

### HYJB4TFT - Hyena Junction Box now with Fast Fit Cover and 4 Twister® Connectors

- Junction box with 4 Twister® Connectors.
- Cover has double start plastic threads for easy quick assembly to the base.
- Clean easy to break out entries for cable access.
- Baseplate has captive nails in position ready for use.
- Strong robust polycarbonate construction.



Large J-Box Covers have double start plastic threads for easy quick assembly to the base



Clean and easy to break out entries for cable access



Baseplate has captive nails in position ready for use



Strong robust polycarbonate construction

Catalogue Number	Description
HYJB4TF	Junction Box Fast with 4 Loose Terminals
HYJB4TFT	Junction Box now with Fast Fit Cover and 4 Twister® Connectors
HYJBS4T	Junction Box Small with 4 Loose Terminals

Certification Detail as above and reports available upon request.

### GSM Electrical (Australia) Pty Ltd

Level 2, 142-144 Fullarton Road, Rose Park SA 5067  
P: 1300 301 838 F: 1300 301 778 E: service@gsm.com.au  
[www.gsm.com.au](http://www.gsm.com.au)



Data Specification Sheet  
September 2021



**HYMF**  
**HYMFBK**  
**HYMFBP**

**HYMFS**  
**HYMFM**

\*See current catalogue for further detail



HYMF



HYMFBK

**Cleaning Guide:**

Spraying cleaning products on to electrical products is not recommended.

It is important to ensure that switches are turned off before cleaning.

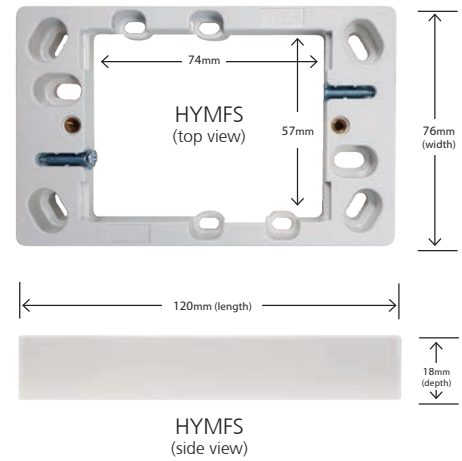
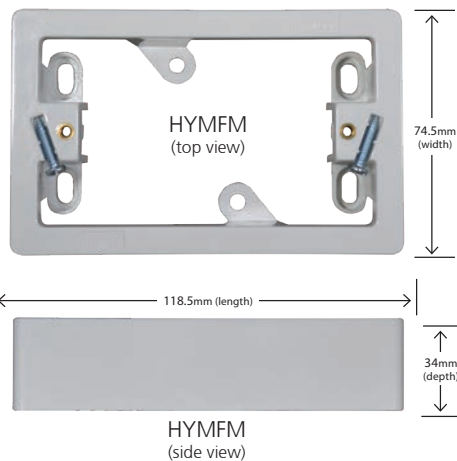
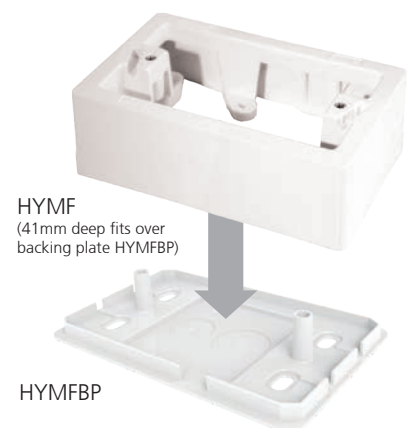
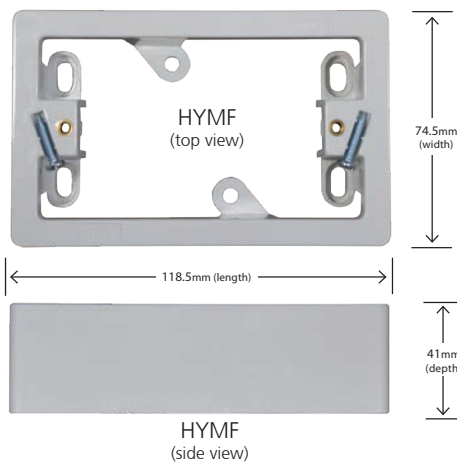
Do not use any cleaning sprays - only wipe down with damp cloth or rub with dry cloth. (Do not use an abrasive cloth as it may scratch the plastic).

Do not use harsh chemical cleaners as these can break down the plastic and cause it to crack.



# Hyena Mounting Flanges

- HYMF and HYMFBK 41 mm deep mounting flange with 84mm spaced brass metal threaded inserts.
- HYMFM 34mm medium mounting flange with 84mm spaced brass metal threaded inserts.
- HYMFS 18mm shallow mounting flange with 84mm spaced brass metal threaded inserts.
- 12 break out positions for cable or conduit (3 per side and 3 per end)
- Internal opening accommodates products that are 76 x 56mm, product is ideal for mounting switch plates and sockets
- 6 mounting hole position for fixing to walls and panels
- Made from tough polycarbonate
- Colour : White



**Please note: HYMFM**  
Does not suit backing plate HYMFBP

**Please note: HYMFM**  
Does not suit backing plate HYMFBP

Catalogue Number	Description
HYMF	Mounting Flange 41 mm Deep
HYMFBK	Mounting Flange 41 mm Deep, Black
HYMFBP	Backing Plate with 25mm entries for HYMF
HYMFM	Mounting Flange (Medium) 34mm Deep
HYMFS	Mounting Flange (Shallow) 18mm Deep



**HYSHR**  
**HYSHRW**

\*See current catalogue for further detail

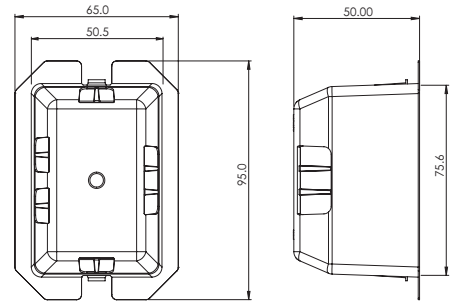
## Hyena Shrouds

The Trader shrouds are universal as possible across the market with as many mounting accessories, switches and sockets. We have also made this shroud from a plastic which is as friendly as possible on your hands when installing and as easy to use as possible when performing any cut outs and cable entry points required.

### HYSHR

Internal dimensions:

- Length 75.6mm
- Width 50.5mm
- Depth 50mm

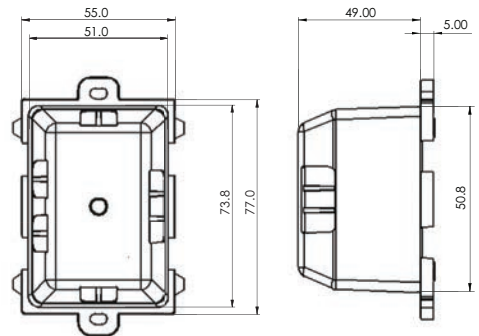


### HYSHRW (Wide)

Ideally suited to fit the Flat Cat Range

Internal dimensions:

- Length 73.8mm
- Width 51mm
- Depth 54mm



Catalogue Number	Description
HYSHR	Insulating Shroud
HYSHRW	Insulating Shroud Wide



## HY2GPP

\*See current catalogue for further detail

### Cleaning Guide:

Spraying cleaning products on to electrical products is not recommended. It is important to ensure that switches are turned off before cleaning.

Do not use any cleaning sprays - only wipe down with damp cloth or rub with dry cloth. (Do not use an abrasive cloth as it may scratch the plastic).

Do not use harsh chemical cleaners as these can break down the plastic and cause it to crack.



# Hyena Surface Socket Twin 10A 250V~ Three Pins

- Depth 49mm (including backing plate)
- 10A 250V~ Three pins
- Combination head screws
- Clean Precision break out for TPS cabling
- The backing plate has raised edges with clean breakouts and apertures for TPS cabling
- Nail plate entry/exit points
- Multiple fixing points including external tabs for cable ties, clouts and screws
- Cover 'push clips' onto backing plate
- Colour : White



Catalogue Number	Description
HY2GPP	Surface Socket Twin, 10A 250V~ Three Pins

**Certification Number:**  
TBC

**GSM Electrical (Australia) Pty Ltd**  
Level 2, 142-144 Fullarton Road, Rose Park SA 5067  
P: 1300 301 838 F: 1300 301 778 E: service@gsme.com.au  
[www.gsme.com.au](http://www.gsme.com.au)



Data Specification Sheet  
August 2018



**HYPP1G  
HYPP1GBK**

\*See current catalogue for further detail



**Cleaning Guide:**

Spraying cleaning products on to electrical products is not recommended. It is important to ensure that switches are turned off before cleaning.

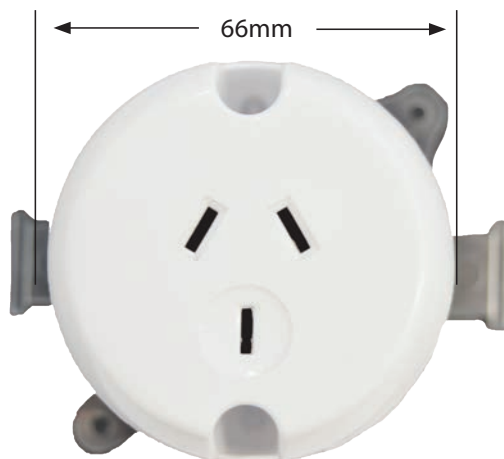
Do not use any cleaning sprays - only wipe down with damp cloth or rub with dry cloth. (Do not use an abrasive cloth as it may scratch the plastic).

Do not use harsh chemical cleaners as these can break down the plastic and cause it to crack.



## Hyena Surface Socket

- Suitable for 90mm downlight holes
- Diameter 66mm
- Depth 55mm (including backing plate)
- 10A 250V~ Three pins
- Combination head screws
- Clean Precision break out for TPS cabling
- The backing plate has raised edges with clean breakouts and apertures for TPS cabling
- Nail plate entry/exit points
- Multiple fixing points including external tabs for cable ties, clouts and screws
- Cover 'push clips' onto backing plate
- Standard colour is white, also available in black.



Catalogue Number	Description
HYPP1G	Surface Socket, 10A 250V~ Three Pins
HYPP1GBK	Surface Socket, 10A 250V~ Three Pins, Black

**Certification Number:**  
SAA-161953-EA

**GSM Electrical (Australia) Pty Ltd**  
Level 2, 142-144 Fullarton Road, Rose Park SA 5067  
P: 1300 301 838 F: 1300 301 778 E: service@gsme.com.au  
[www.gsme.com.au](http://www.gsme.com.au)



## HYPP1GF

\*See current catalogue for further detail

### Cleaning Guide:

Spraying cleaning products on to electrical products is not recommended. It is important to ensure that switches are turned off before cleaning.

Do not use any cleaning sprays - only wipe down with damp cloth or rub with dry cloth. (Do not use an abrasive cloth as it may scratch the plastic).

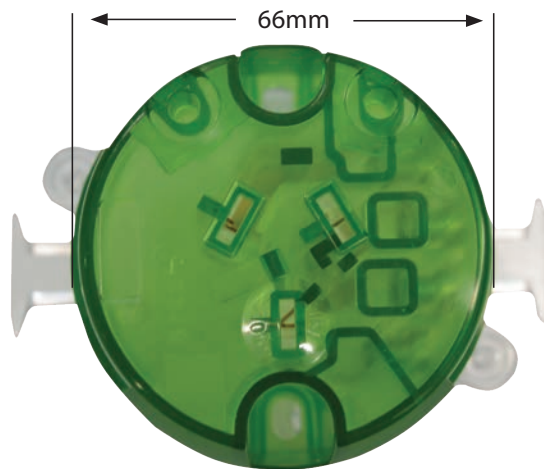
Do not use harsh chemical cleaners as these can break down the plastic and cause it to crack.



## Hyena Surface Socket - Fast

The new HYPP1GF has a diameter of 66mm to allow it to fit through 70mm downlight holes where others won't!

- Quality round tunnel terminals with a 6mm bore to provide plenty of wire space
- Depth 55mm (including backing plate)
- 10A 250V~ Three Pins
- Combination head screws
- Clean precision break out features for TPS cabling
- Nail plate entry/exit points
- Multiple fixing points including external tabs for cable ties, clouts and screws
- In line terminals for faster and easy wiring access
- Easy rotation clip on backing plate- ideal for post installation access simple screwdriver
- Side entry screw access
- Sliding screw cover for safety and convenience
- Two pre-cored holes for IPA stud circuit identification assembly
- Colour: Transparent Green



Catalogue Number	Description
------------------	-------------

HYPP1GF	Surface Socket Fast, 10A 250V~ Three Pins
---------	---

### Certification Number:

SAA-161953-EA

### GSM Electrical (Australia) Pty Ltd

Level 2, 142-144 Fullarton Road, Rose Park SA 5067

P: 1300 301 838 F: 1300 301 778 E: service@gsme.com.au

[www.gsme.com.au](http://www.gsme.com.au)



Data Specification Sheet  
November 2017

**HYPP1GS  
HYPP1GSBK**

\*See current catalogue for further detail



**Cleaning Guide:**

Spraying cleaning products on to electrical products is not recommended. It is important to ensure that switches are turned off before cleaning.

Do not use any cleaning sprays - only wipe down with damp cloth or rub with dry cloth. (Do not use an abrasive cloth as it may scratch the plastic).

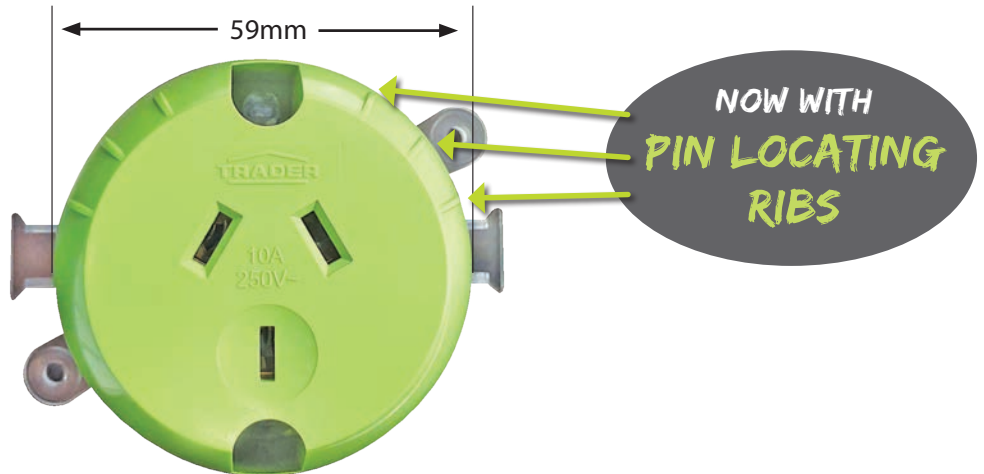
Do not use harsh chemical cleaners as these can break down the plastic and cause it to crack.



## Hyena Surface Socket - Small

The HYPP1GS has the features of other larger surface sockets but packed into a smaller product with a diameter of 59mm to allow it to fit through 70mm downlight holes where others won't!

- Quality round tunnel terminals with a 6mm bore to provide plenty of wire space
- Depth 51 mm (including backing plate)
- 10A 250V~ Three Pins
- Combination head screws
- Clean precision break out features for TPS cabling
- The backing plate has raised edges with clean breakouts and apertures for TPS cabling
- Nail plate entry and exit points
- Multiple fixing points including external tabs, for cable ties, clouts and screws
- Cover push clips onto backing plate
- Quality round tunnel terminals with a 6mm terminal bore for plenty of wiring space
- **Pin Locating Ribs allow the installer to determine the orientation of the Surface Socket without looking at it. This makes inserting the plug simple.**
- Standard colour is green, also available in black.



Catalogue Number	Description
HYPP1GS	Surface Socket Small, 10A 250V~ Three Pins, with easy grip feature
HYPP1GSBK	Surface Socket Small, 10A 250V~ Three Pins, with easy grip feature, Black

**Certification Number:**  
GMA-500370-EA

**GSM Electrical (Australia) Pty Ltd**  
Level 2, 142-144 Fullarton Road, Rose Park SA 5067  
P: 1300 301 838 F: 1300 301 778 E: service@gsme.com.au  
[www.gsme.com.au](http://www.gsme.com.au)



Data Specification Sheet  
August 2020

## HYPP1GQC

\*See current catalogue for further detail

### Cleaning Guide:

Spraying cleaning products on to electrical products is not recommended. It is important to ensure that switches are turned off before cleaning.

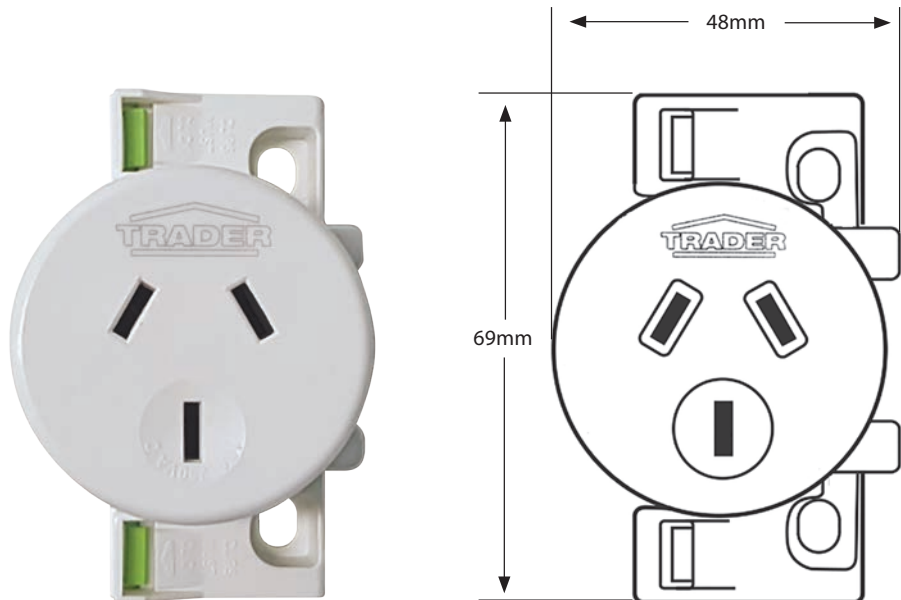
Do not use any cleaning sprays - only wipe down with damp cloth or rub with dry cloth. (Do not use an abrasive cloth as it may scratch the plastic).

Do not use harsh chemical cleaners as these can break down the plastic and cause it to crack.



## Hyena Surface Socket "QC"

- Suitable for 90mm downlight holes.
- Depth 46mm.
- 10A 250V~ Three pins.
- Multiple fixing points including external tabs for cable ties, clouts and screws.
- Cover 'push clips' onto backing plate.
- Colour : White.
- Suitable for 1.0mm<sup>2</sup> to 2.5mm<sup>2</sup> TPS.
- Suitable for end or mid cable mounting.



Catalogue Number	Description
HYPP1GQC	Surface Socket "QC" 250V~ 10A Three Pins

**Certification Number:**  
GMA-506387-EA

**GSM Electrical (Australia) Pty Ltd**  
Level 2, 142-144 Fullarton Road, Rose Park SA 5067  
P: 1300 301 838 F: 1300 301 778 E: service@gsme.com.au  
[www.gsme.com.au](http://www.gsme.com.au)



Data Specification Sheet  
December 2019



**HYHS20**  
**HYHS20M5**  
**HYHS20H**  
**HYHS25**  
**HYHS25M5**  
**HYHS25H**  
**HYHS32**  
**HYHS40**  
**HYHS50**  
**HYFS20**  
**HYFS25**  
**HYFS32**  
**HYFS40**  
**HYFS50**

Available in convenient plastic carry box



**HYHS20B**

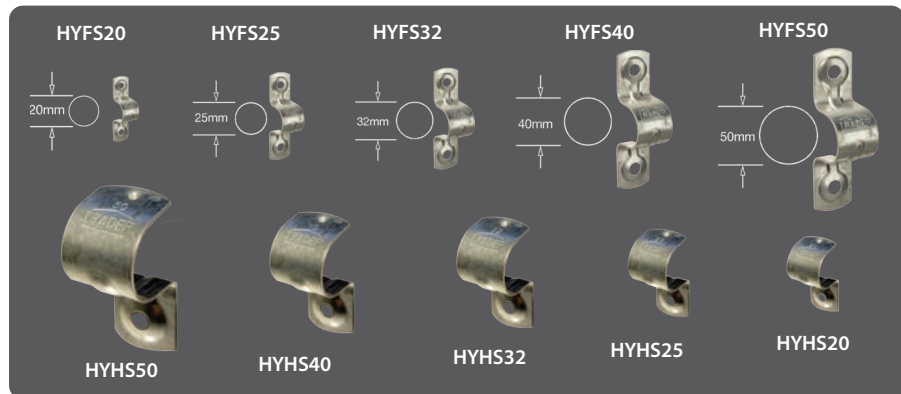


**HYHS25B**



## Full Saddles & Half Saddles

- Half Saddles and Full Saddles are available in various sizes.
- Half saddles with greater than 6.5mm holes capable of pushing plastic wall plugs through saddle when mounted against wall.
- Full saddles have 5.5mm holes.
- Zinc plated



## Half Saddles with 5mm holes

- Half Saddles available in two sizes - 20mm or 25mm
- 5mm holes suitable for those who prefer to use smaller headed fasteners and not allow wall plugs through the mounting hole.
- Zinc plated



## Hyena Hook Saddles

- Hook Saddles available in two sizes - 20mm or 25mm
- Greater than 6.5mm holes capable of pushing plastic wall plugs through saddle when mounted against wall
- Ideal for under eave applications where standard half saddles do not fit.
- Zinc plated



**GSM Electrical (Australia) Pty Ltd**  
 Level 2, 142-144 Fullarton Road, Rose Park SA 5067  
 P: 1300 301 838 F: 1300 301 778 E: service@gsmc.com.au  
[www.gsmc.com.au](http://www.gsmc.com.au)



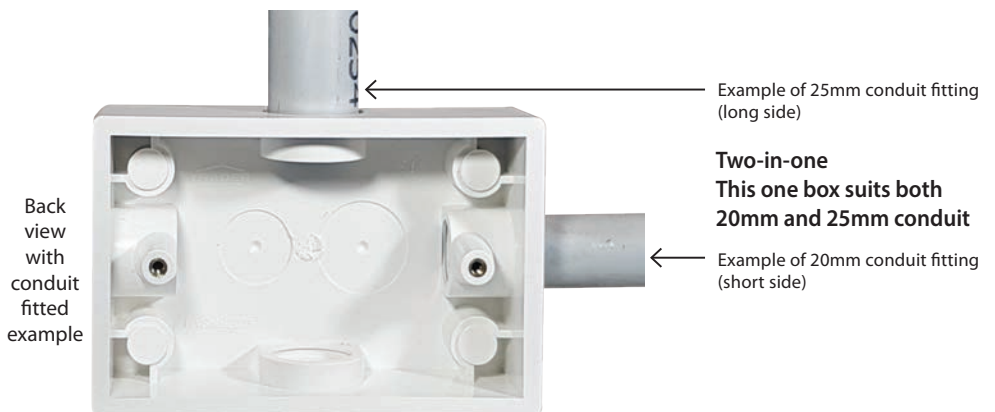
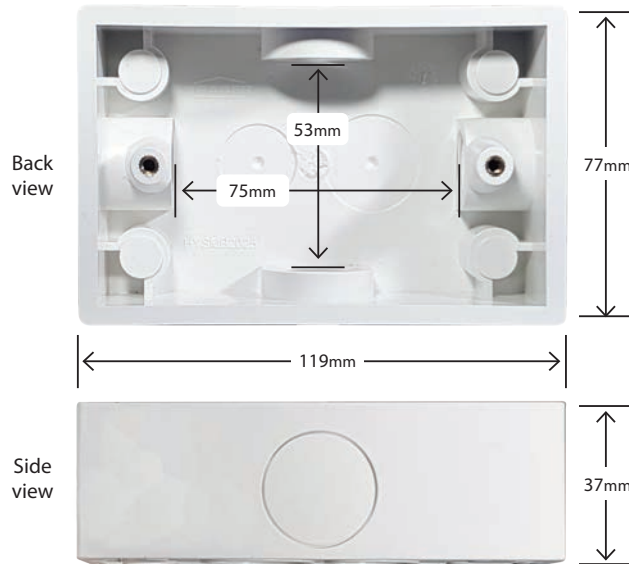
Data Specification Sheet  
December 2020

**HYSMB2025**

\*See current catalogue for further detail

# Hyena Surface Mounting Box Enclosure with 20mm/25mm End Entries

- Made from impact modified UV stabilised PVC
- Entries 2 x 25mm (long sides) and 2 x 20mm (short sides)
- Rear drill entries for 20mm and 25mm
- Suitable for single gang size plates
- 84mm mounting holes (short screws provided)
- Comes with caps and plugs pack for entries
- Overall dimensions (length 119mm x width 77mm x depth 37mm)
- Internal depth 32.5mm



Catalogue Number	Description
HYSMB2025	Surface Mounting Box Enclosure with 20mm & 25mm End Entries

**HYICSS**  
**HYICDS**

\*See current catalogue for further detail

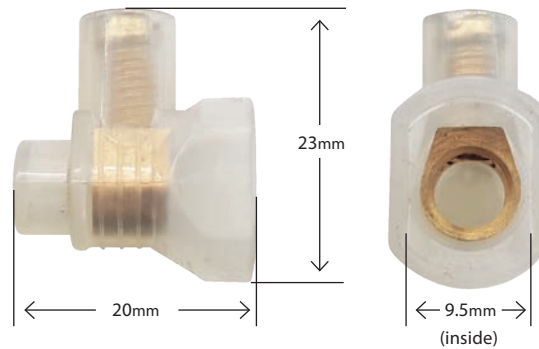
# Hyena Insulated Connectors

## HYICSS - Single Screw

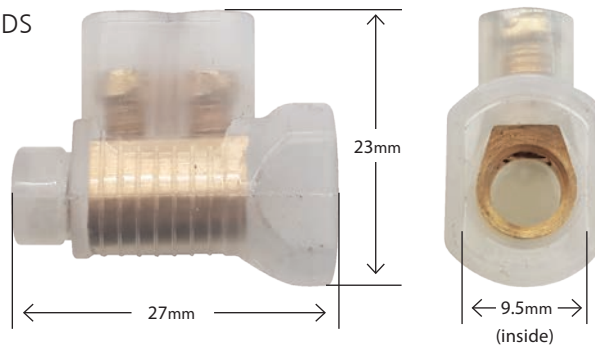
## HYICDS - Double Screw

- Products tested to IEC 60998-1 and IEC 60998-2-1
- Connecting devices for low voltage circuits for household and similar purposes.
- Connectors also comply with requirements of AS/NZS3000:2018 (2.10.4.2, 3.7.2.4) (3.7.2.11 for Earthing connector with 2 screws)
- Suitable for 3 x 6mm<sup>2</sup> or 4 x 2.5mm<sup>2</sup> cables
- 40A 500V
- Flexible insulation shroud
- Brass terminal tunnel diameter 6mm
- Screw #2 Philips drive with 5mm thread

HYICSS



HYICDS



Catalogue Number	Description
HYICSS	Connector Screw – Single Screw 3 x 6mm <sup>2</sup> 40A Sold as Jar of 100
HYICDS	Connector Screw – Double Screw 3 x 6mm <sup>2</sup> 40A Sold as Jar of 50



**HYICU  
HYICUB**

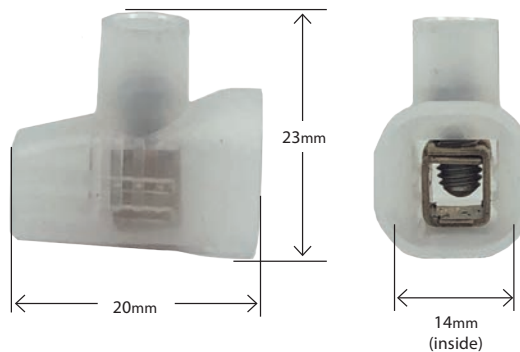
\*See current catalogue for further detail

## Hyena Universal Connectors

### HYICU - Single Screw (Jar of 100)

### HYICUB - Single Screw (Jar of 300)

- Connecting devices for low voltage circuits for household and similar purposes.
- Suitable for earth active and neutral conductors.
- Connectors also comply with requirements of AS/NZS3000:2018 (2.10.4.2, 3.7.2.4) (3.7.2.11 for Earthing connector with 2 screws)
- Suitable for 3 x 6mm<sup>2</sup> or 4 x 2.5mm<sup>2</sup> cables
- 40A 500V
- Flexible insulation shroud
- Brass terminal tunnel diameter 6mm
- Screw #2 Philips drive with 5mm thread
- Products tested to IEC 60998-1 and IEC 60998-2-1



HYICU



Catalogue Number	Description
HYICU	Insulated Connector Universal, Single Screw 40A, Jar of 100
HYICUB	Insulated Connector Universal, Single Screw 40A, Jar of 300





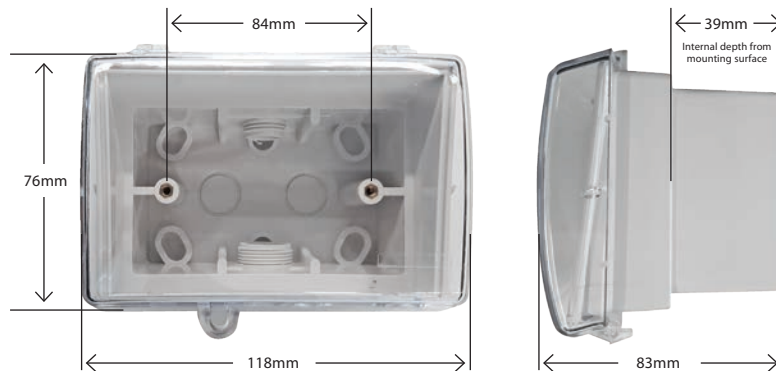
## HYBOXWP

\*See current catalogue for further detail

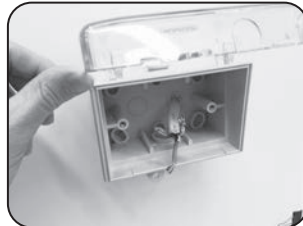


## Hyena Weatherproof Box - IP33

- Robust weatherproof box suitable for installing electrical plate mounted accessories such as sockets and switches.
- 84mm centres with 33mm internal depth to bosses in bottom of box; or 40mm total depth to the rear of internal box.
- Bottom threaded entry 25mm and top entry 20mm, 2 x 20mm rear drill out entries.
- Locking facility for clear hinged flap.
- Box colour light grey.



### Manufacturer's Installation Instructions



1. When installing the HYBOXWP ensure the product is mounted securely against the wall using the dill points in the covered recesses. Ensure the screw area is well sealed with silicone to protect the IP rating and apply internal screw caps.



2. Ensure all threaded entries are sealed with silicone sealant or PVC glue. If the rear entries are used ensure the box is sealed well against the wall and that any entries are sealed and water tight to prevent leaks.



3. Install socket outlet or wall plate accessory and ensure it is securely fastened and that the flap can close fully.

### Suggested installation to maintain weatherproofing using permanently installed plugs



If using the assembly with plugs that are required to be inserted for permanent applications it is best to break out the lower tabs to allow cable clearance and utilise side entry plugs so that the flap can remain closed for maximum protection.

Catalogue Number	Description
HYBOXWP	1 Gang Weatherproof Mounting Enclosure



**HYSS  
HYSSBK  
HYSS15**



**Cleaning Guide:**

Spraying cleaning products on to electrical products is not recommended.

It is important to ensure that switches are turned off before cleaning.

Do not use any cleaning sprays - only wipe down with damp cloth or rub with dry cloth. (Do not use an abrasive cloth as it may scratch the plastic).

Do not use harsh chemical cleaners as these can break down the plastic and cause it to crack.



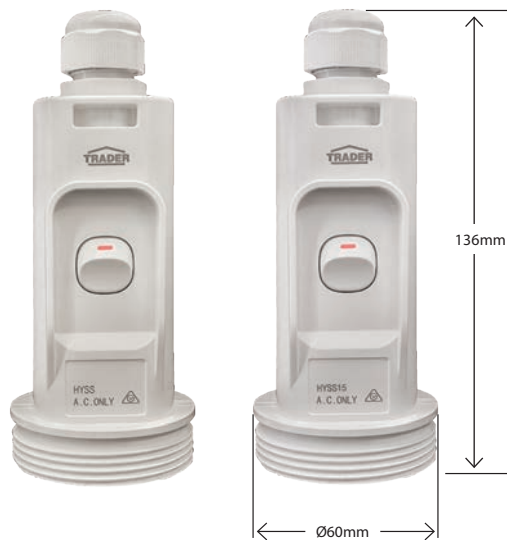
## Hyena Suspension Sockets

**HYSS - Suspension Socket, Switched 1 Gang, 10A 250V~ Double Pole**

**HYSSBK - Suspension Socket, Switched 1 Gang, 10A 250V~ Double Pole, Black**

**HYSS15 - Suspension Socket, Switched 1 Gang, 15A 250V~ Double Pole**

- Hyena suspension sockets provide versatility and functionality, to position power overhead in convenient places above benches or work areas where other fixed sockets cannot be located.
- The main housing contains a solid loop for chain or wire rope connection, to provide support and strain relief for electrical cabling.
- Standard thread ring allows interconnection of weatherproof plugs, to assist in retention in the socket during operation.
- Double pole power point.
- Diameter of cable gland entry  $\varnothing$ 10.5mm to  $\varnothing$ 7.5mm for heavy duty cable.
- Available in white or black. Please check availability.



Eyelet loop at back for hanging purposes

Catalogue Number	Description
HYSS	Suspension Socket, Switched 1 Gang, 10A 250V~ Double Pole
HYSSBK	Suspension Socket, Switched 1 Gang, 10A 250V~ Double Pole, Black
HYSS15	Suspension Socket, Switched 1 Gang, 15A 250V~ Double Pole

**Certification Number:**  
GMA-507588-EA

**GSM Electrical (Australia) Pty Ltd**  
Level 2, 142-144 Fullarton Road, Rose Park SA 5067  
P: 1300 301 838 F: 1300 301 778 E: service@gsm.com.au  
[www.gsm.com.au](http://www.gsm.com.au)



Data Specification Sheet  
July 2021

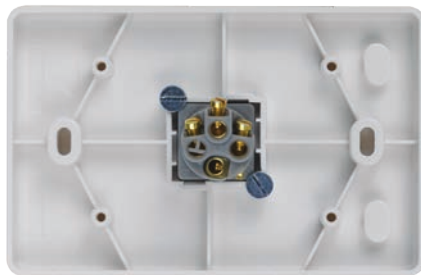
**HYSCREWS**



# Hyena Mech Security Screws

## Ideal for use with Puma Vandal Proof

- Designed to back up and clamp standard style switch mechs in the wall plate clip in features, where additional tamper proofing is required
- Fits into the small round thread detail on the rear of the plate
- Also fits PUMA, COUGAR, FLAT CAT, LEOPARD, CHEETAH and SNOW LEOPARD switch plates and some other brands
- All Puma Vandal Proof switches have 'back up screws' as standard
- Diameter  $\varnothing$ 7.5mm
- Thread 3mm



Example of screws in use with Vandal Proof switch



Catalogue Number	Description
<b>HYSCREWS</b>	Mech Security Screws





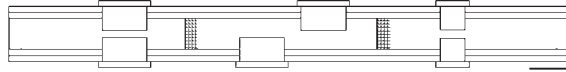
## HY1GFRWB

\*See current catalogue for further detail

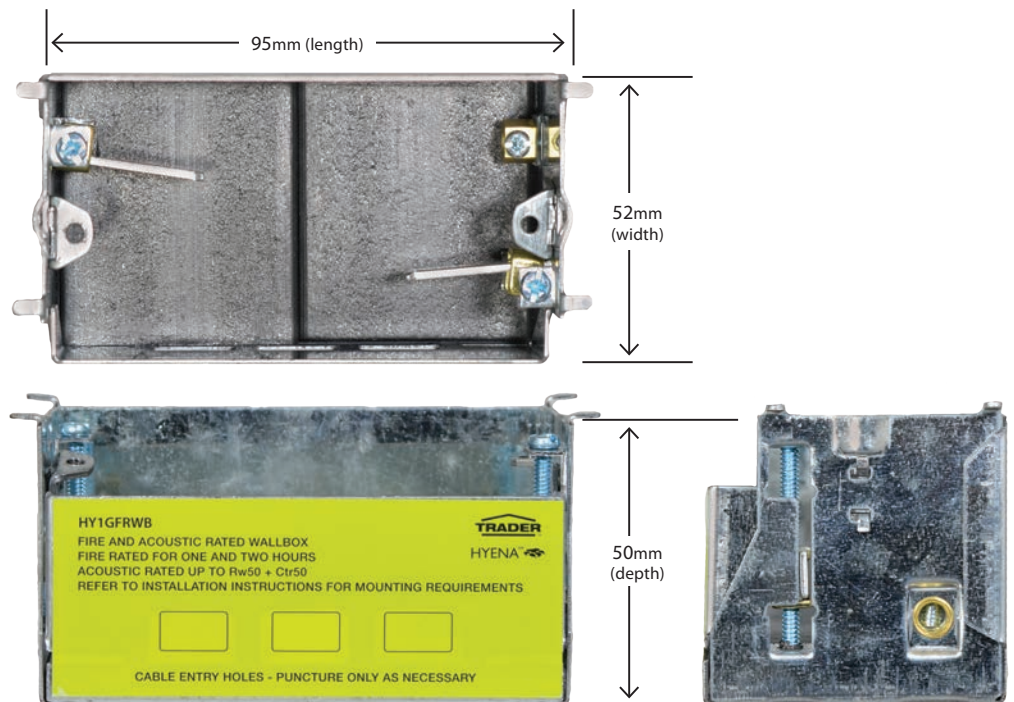


# Hyena Fire Rated Wall Box

- Product is fully certified to AS1530.4-2014 with a fire rating of FRL of -120/120 (2 hours fire resistance) for back to back, side to side and above and below configurations.



- Certification: EWFA Report No. 47083900.1 Exova Warringtonfire Aust Pty Ltd 2016 (available upon request).
- Fire certification has been tested and complies without the need for fire rated mastic**, which saves time on installations.
- Acoustic Rating: Weighted Sound Reduction Rating to ISO717-1 achieved  $R_w + C_{tr} = 56$  dB in testing and meets building code requirements of  $R_w + C_{tr} = 50$ . (Reports available upon request).
- Suitable for panels 10mm up to 33mm with adjustable clamping lugs.
- 84mm mounting centres.
- Robust construction.
- 2 x 20mm diameter entries on rear surface.
- Installation must be carried out in accordance with manufacturers installation instructions for mounting requirement.
- Box dimensions: 95mm (length) x 52mm (width) x 50mm (depth / 42mm internal depth with pads).



Catalogue Number	Description
HY1GFRWB	Fire Rated Wall Box

Certification Detail as above and reports available upon request.

**GSM Electrical (Australia) Pty Ltd**  
 Level 2, 142-144 Fullarton Road, Rose Park SA 5067  
 P: 1300 301 838 F: 1300 301 778 E: service@gsm.com.au  
[www.gsm.com.au](http://www.gsm.com.au)



Data Specification Sheet  
 November 2017



**HYBH  
HYBHSP**

## Hyena Batten Holders

- HYBH and HYBHSP B22d batten holders
- Diameter 5.0mm terminal bores.
- 4 terminal (Earth, Loop terminals) and (Live pins)
- Combination head screws
- AS/NZS 61184
- 250V~ B22d Max 3A 100W
- 50mm mounting hole centres
- 71mm diameter mounting base
- Additional thread length on the lamp holder body to allow for lamp shades if required.
- HYBHSP now has self-aligning loose ceiling plugs and screws



**HYBHSP - with NEW AND IMPROVED self aligning LOOSE ceiling plugs and screws**

Catalogue Number	Description
HYBH	Batten Holder
HYBHSP	Batten Holder with Loose Screw Plugs



**Certification Number:** GMA-504765-EA

**GSM Electrical (Australia) Pty Ltd**  
Level 2, 142-144 Fullarton Road, Rose Park SA 5067  
P: 1300 301 838 F: 1300 301 778 E: service@gsm.com.au  
[www.gsm.com.au](http://www.gsm.com.au)



Data Specification Sheet  
September 2019

**HYSWPC  
HYSWPCBR**



**Cleaning Guide:**

Spraying cleaning products on to electrical products is not recommended. It is important to ensure that switches are turned off before cleaning.

Do not use any cleaning sprays - only wipe down with damp cloth or rub with dry cloth. (Do not use an abrasive cloth as it may scratch the plastic).

Do not use harsh chemical cleaners as these can break down the plastic and cause it to crack.



## Hyena Pull Cord Switch

- Pull Cord Switch 10AX 250V~ M80
- 2 Way
- 4 terminal (Common, 1, 2, Loop terminals)
- Ø56mm
- Ø4.1mm terminal holes
- 10AX
- 2m Cord
- Mounting screw centres 36mm
- Easy mounting on timber or plaster surfaces
- Cord restraint mechanism that enables easy cable length adjustment



Catalogue Number	Description
HYSWPC	Pull Cord Switch 10AX 250V~
HYSWPCBR	Pull Cord Switch 10AX 250V~ Brown

\*Replacement Pull Cords available by request

**Certification Number:** GMA-505281-EA

**GSM Electrical (Australia) Pty Ltd**

Level 2, 142-144 Fullarton Road, Rose Park SA 5067

P: 1300 301 838 F: 1300 301 778 E: service@gsme.com.au

[www.gsme.com.au](http://www.gsme.com.au)



Data Specification Sheet  
January 2020

## HYSWSHR



### Cleaning Guide:

Spraying cleaning products on to electrical products is not recommended. It is important to ensure that switches are turned off before cleaning.

Do not use any cleaning sprays - only wipe down with damp cloth or rub with dry cloth. (Do not use an abrasive cloth as it may scratch the plastic).

Do not use harsh chemical cleaners as these can break down the plastic and cause it to crack.



## Hyena Switch Shroud

- The insulating shroud suits components/products with a Diameter 20mm body
- It improves double insulation and accepts two twin 1.5mm<sup>2</sup> insulated sheathed cables
- Suits TRADER round based switch mechs such as: MESW, MESW20, MESWC, MESWC35, MESWI and MESWDP
- Also suits other brands



HYSWSHR Pictured with mech for example purpose

Catalogue Number	Description
HYSWSHR	Hyena Switch Shroud



**HYCR  
HYCRBK**



**Cleaning Guide:**

Spraying cleaning products on to electrical products is not recommended. It is important to ensure that switches are turned off before cleaning.

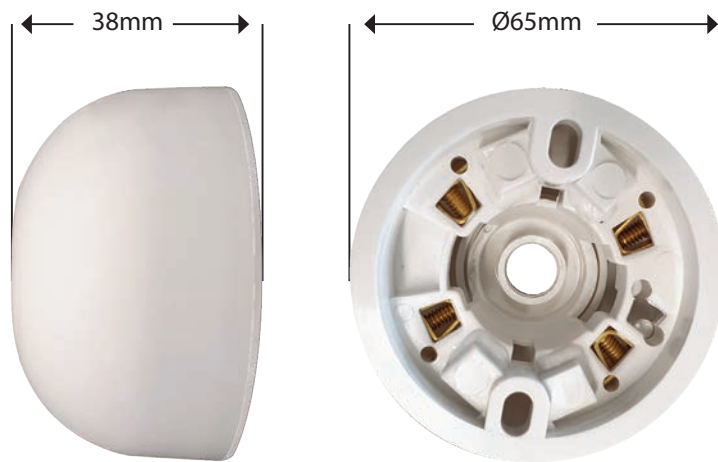
Do not use any cleaning sprays - only wipe down with damp cloth or rub with dry cloth. (Do not use an abrasive cloth as it may scratch the plastic).

Do not use harsh chemical cleaners as these can break down the plastic and cause it to crack.



## Hyena Ceiling Rose

- 4 terminal 16A 500V
- Ø65mm
- Mounting screw centres 48mm
- Easy mounting on timber or plaster surfaces
- 5mm terminal holes combined with clamping nuts
- 10.7mm hole suitable for heavy duty 3 core round cable



Catalogue Number	Description
HYCR	Ceiling Rose
HYCRBK	Ceiling Rose, Black

**Certification Number:** GMA-508176-EA

**GSM Electrical (Australia) Pty Ltd**

Level 2, 142-144 Fullarton Road, Rose Park SA 5067

P: 1300 301 838 F: 1300 301 778 E: service@g sme.com.au

[www.g sme.com.au](http://www.g sme.com.au)



Data Specification Sheet  
October 2020