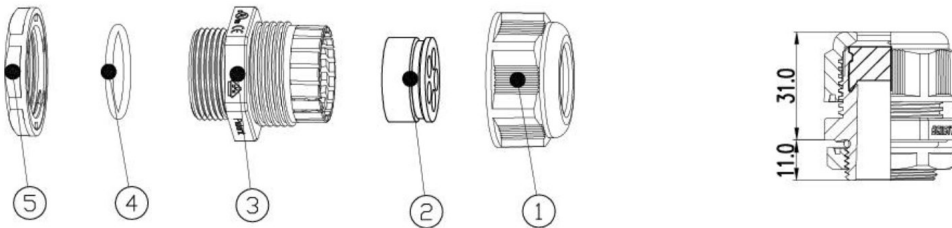


EA1601E Cable Gland – 5hole

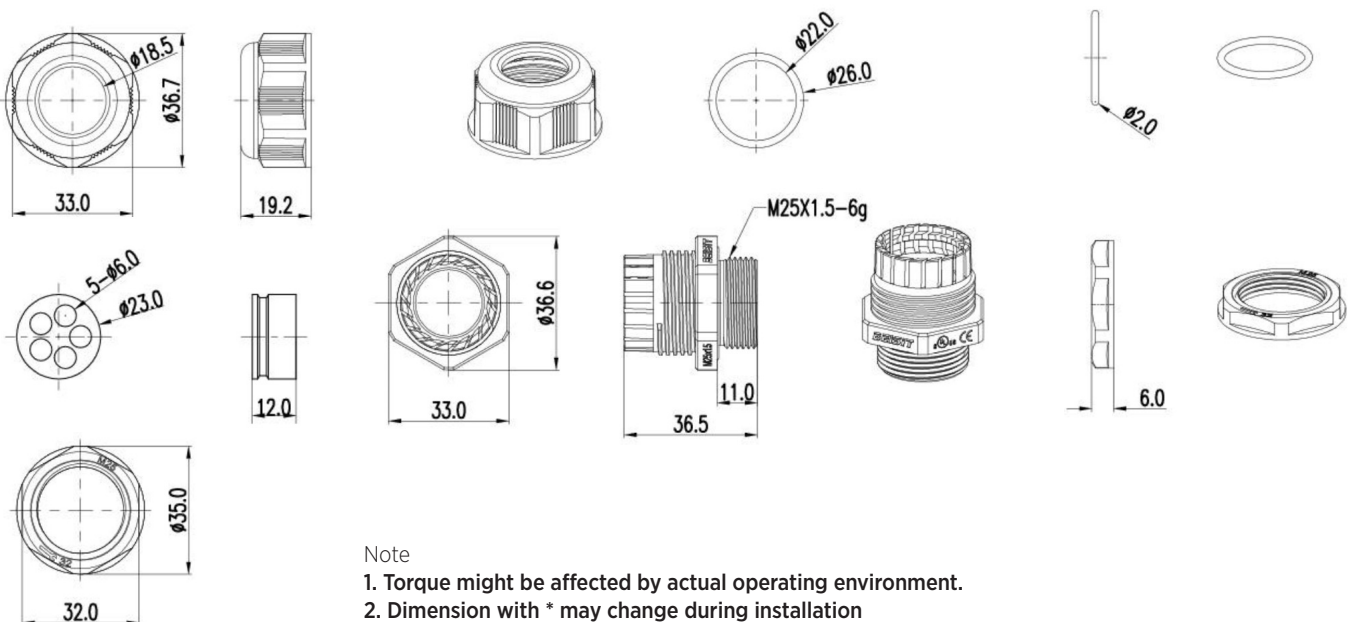


Specification	
Protection Degree	IP68
Operating Temperature	-40-100 °C
Torque for Body	3.5-5.0 N.m
Torque for Sealing Nut	5.0-6.0 N.m



Part Legend	Part Name	Quantity	Part No.
5	Lock Nut	1	2.270.2503.01
4	O-Ring	1	2.860.2522.20
3	Body	1	2.250.2503.01
2	Seal	1	/
1	Sealing Nut	1	2.210.2103.03

Dimensions



Note
 1. Torque might be affected by actual operating environment.
 2. Dimension with * may change during installation