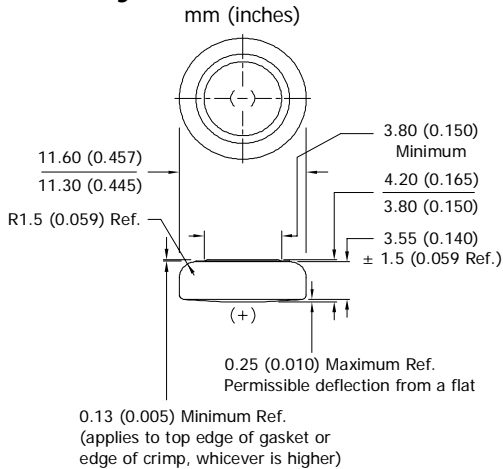


**ENERGIZER 186**

**Miniature**



**Industry Standard Dimensions**

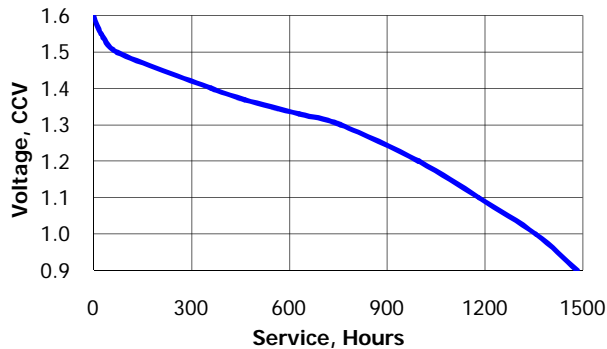


Designed for electronic applications which may require high rate pulses

**Typical Discharge Characteristics**

21°C (70°F)

Load: 15K ohms - Continuous  
Typical Drain @ 1.25V: 0.083 mA

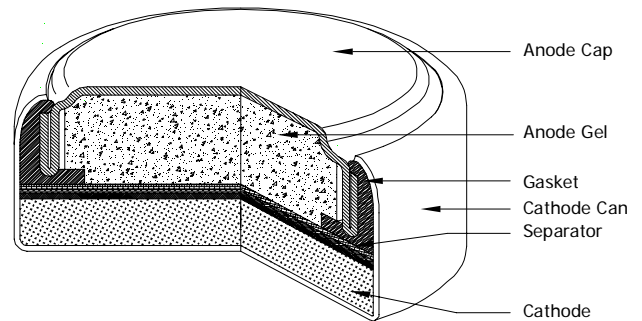


Schedule:	Typical Drains: at 1.25V (milliamperes)	Load (ohms)	Cutoff 0.9V (hours)
Continuous	0.083	15,000	1,482

**Specifications**

- Chemical System:** Manganese Dioxide (MnO<sub>2</sub>)
- Designation:** IEC-LR43
- Nominal Voltage:** 1.5 Volts
- Typical Capacity:** 123 mAh (to 0.9 volts)  
Rated at 15K ohms / 21°C (70°F)
- Typical Weight:** 1.4 grams (0.05 ounces)
- Typical Volume:** 0.40 cubic centimeters (0.05 cubic inch)

**Cross Section**



**Depth of Discharge Test**

Percent of rated Capacity at 21°C (70°F)

Typical closed circuit voltage during discharge on a load of 100 ohms for 0.1 to 2.0 seconds

% Rated Capacity	0%	40%	80%
	1.52V	1.19V	1.07V

**Bulge Data**

This battery will bulge as it is discharged but will not exceed the maximum height shown on the battery drawing.

**Important Notice**

This data sheet contains typical information specific to products manufactured at the time of its publication.  
© Energizer Holdings, Inc. - Contents herein do not constitute a warranty.