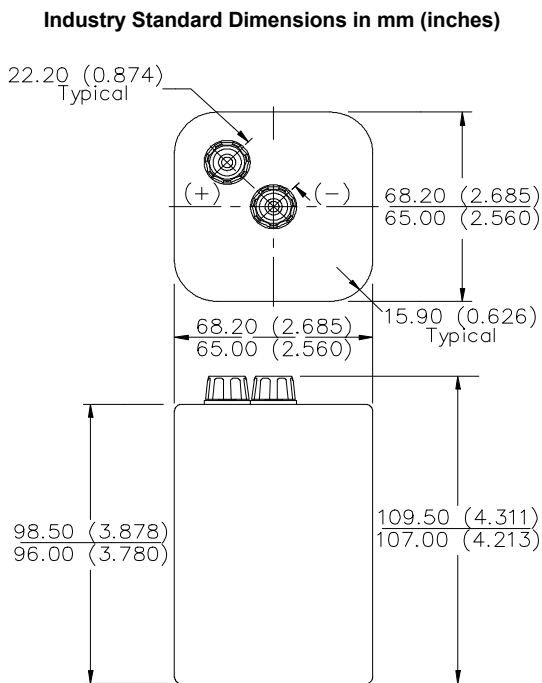


## ENERGIZER NO. 409

**6V**  
**CLASSIC**



THIS BATTERY WILL PASS FREELY THROUGH A CYLINDRICAL TUBE 82.6 DIAMETER x 101.6 LONG.

**Chemical System:** Zinc-Manganese Dioxide (Zn/MnO<sub>2</sub>)  
 (No Added Mercury or Cadmium)

**Designation:** ANSI-915, IEC-4R25

**Battery Voltage:** 6.0 Volts

**Operating Temp:** -18°C to 55°C (0°F to 130°F)

**Average Weight:** 600 grams (21.2 oz.)

**Volume:** 488 cubic centimeters (30 cubic inch)

**Average Capacity:** 11 Ah to 0.8 volts / cell  
 (Rated at 25k ohms continuous at 21°C)

**Cell:** Four No. 60 (size "F") in series

**Jacket:** Plastic

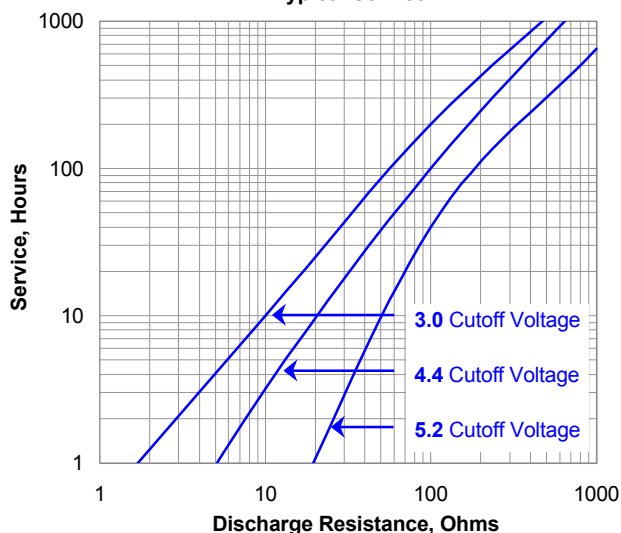
### INTERNAL RESISTANCE VS. TEMPERATURE

The measurement is an approximation of the battery's actual internal resistance. It is sensitive to the loads and operator technique.

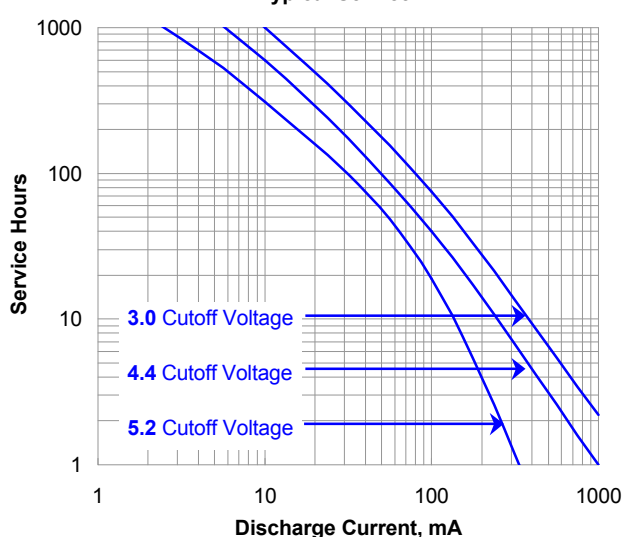
**Schedule:** Background Load 600 ohms  
 Pulse Load 10 ohms  
 Pulse Duration 1 second

Temperature	Typical Ri (ohms)
45°C (113°F)	0.7
21°C (70°F)	0.8
0°C (32°F)	1.0
-21°C (-4°F)	10.0

### CONSTANT RESISTANCE PERFORMANCE Typical Service



### CONSTANT CURRENT DISCHARGE Typical Service



### Important Notice

This data sheet contains information specific to batteries manufactured at the time of its publication.  
**Contents herein do not constitute a warranty.**

## ENERGIZER NO. 409

### Typical Applications

**LIGHTING**  
9.1 ohm - 30 min/day



**LIGHTING**  
9.1 ohm - 30 min/on 30min/off 8 hr/day



**LIGHTING**  
33 ohm - 30 min/on 30min/off 8 hr/day



#### **Important Notice**

This data sheet contains information specific to batteries manufactured at the time of its publication.  
**Contents herein do not constitute a warranty.**