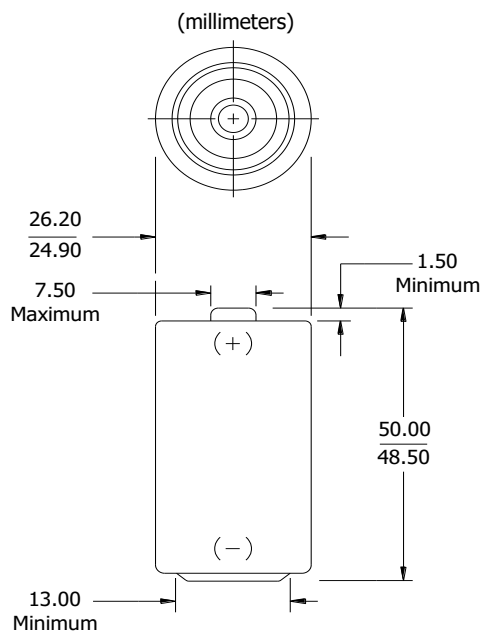


C

MAX PLUS EP93



Industry Standard Dimensions

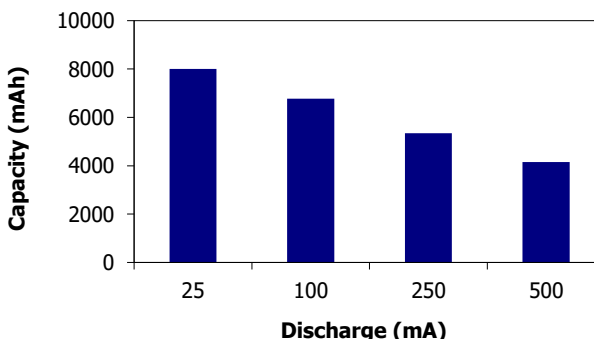


General Information

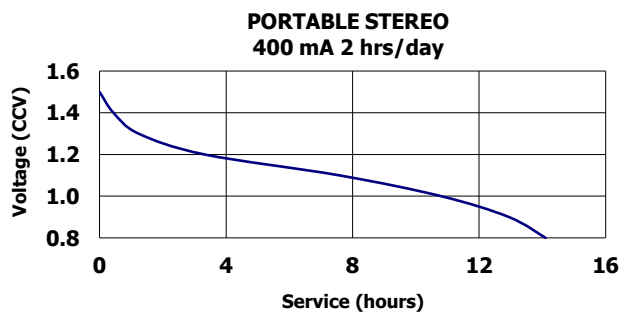
Classification:	Alkaline
Chemical System:	Zinc-Manganese Dioxide (Zn/MnO ₂) No added mercury or cadmium
Designation:	ANSI-14A, IEC-LR14
Nominal Voltage:	1.5 volts
Operating Temp:	-18°C to 55°C (0°F to 130°F)
Typical Weight:	66 grams
Typical Volume:	27 cubic centimeters
Shelf Life:	10 years at 21°C
Terminal:	Flat Contact

Milliamp-Hours Capacity

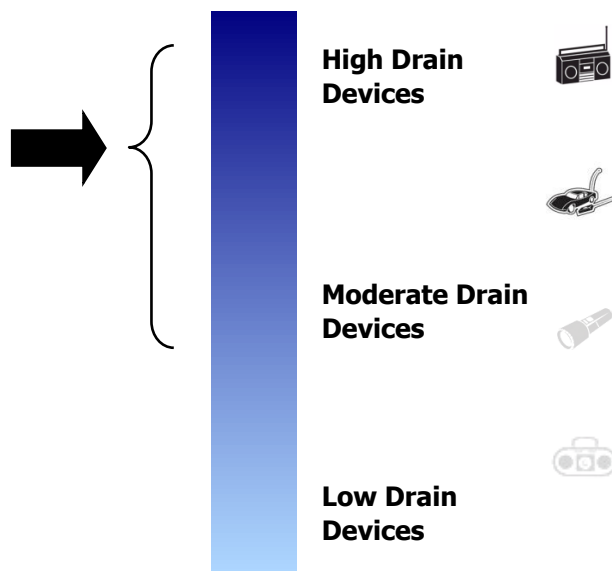
Continuous discharge to 0.8 volts at 21°C



Industry Standard Testing (21°C):



Battery Selection Indicator



Important Notice

This datasheet contains typical information specific to products manufactured at the time of its publication. Contents herein do not constitute a warranty and are for reference only.