

### HOW TO ORDER CANTILEVER BRACKETS

Example

# CB2 150 H



#### Select Cantilever Bracket

- CB2** CB2 Cantilever Bracket
- CB4** CB4 Cantilever Bracket
- CB254** CB254 Cantilever Bracket

#### Select Length (mm)

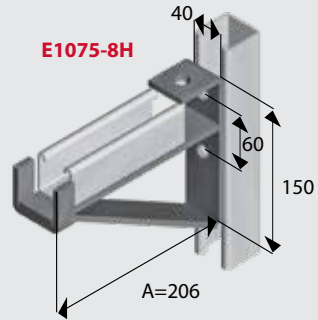
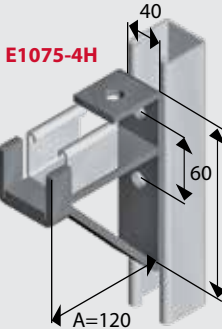
#### Select Finish

- H** Hot Dip Galvanised
- S** Stainless Steel
- A** Aluminium (MTO)

**D** OTHER MADE TO ORDER (MTO) SIZES & FINISH OPTIONS AVAILABLE

### E1075 CANTILEVER BRACKET

To suit 41mm wide channel/strut.



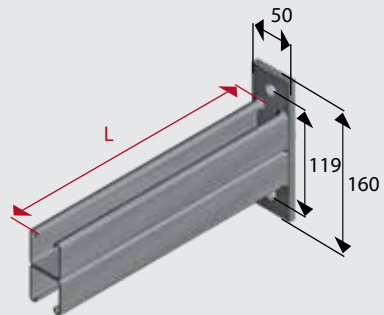
A Length	Part Number	Service Guide
120	<b>E1075-4H</b>	<b>A</b>
206	<b>E1075-8H</b>	<b>A</b>

**D** ALSO AVAILABLE IN STAINLESS STEEL AS MTO.

### CB254 CANTILEVER BRACKET

\*Working Loads for Steel Cantilever Brackets shown.

Length - L (mm)	Working Load (kg)*	Hot Dip Galvanised
165	1349	<b>CB254-165H</b> <b>D</b>
300	770	<b>CB254-300H</b> <b>B</b>
450	527	<b>CB254-450H</b> <b>B</b>
600	400	<b>CB254-600H</b> <b>B</b>
750	330	<b>CB254-750H</b> <b>B</b>
900	275	<b>CB254-900H</b> <b>B</b>
1000	195	<b>CB254-1000H</b> <b>D</b>



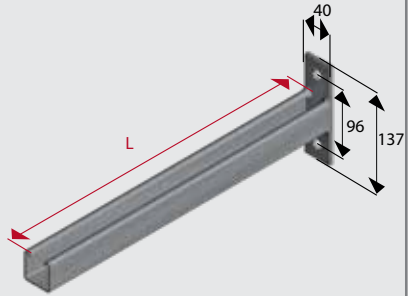
**D** ALSO AVAILABLE IN STAINLESS STEEL AS MTO.

**Service Guide Key:** **A** Usually in stock at all branches **B** Usually in stock at head office **C** Normal lead time **D** Made to Order (lead time on enquiry)

## CB2 CANTILEVER BRACKET

\* Working Loads for Steel Cantilever Brackets shown.

Length - L (mm)	Working Load (kg)*	Hot Dip Galvanised	Stainless Steel
150	526	CB2-150H <span style="color: green;">A</span>	CB2-150S <span style="color: yellow;">B</span>
300	262	CB2-300H <span style="color: green;">A</span>	CB2-300S <span style="color: yellow;">B</span>
450	175	CB2-450H <span style="color: green;">A</span>	CB2-450S <span style="color: yellow;">B</span>
600	131	CB2-600H <span style="color: green;">A</span>	CB2-600S <span style="color: yellow;">B</span>
750	105	CB2-750H <span style="color: green;">A</span>	CB2-750S <span style="color: orange;">C</span>
900	88	CB2-900H <span style="color: green;">A</span>	CB2-900S <span style="color: orange;">C</span>



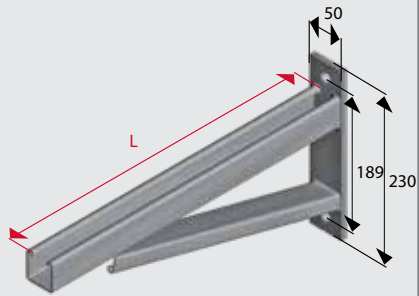
FASTENERS

STRUT SYSTEMS

## CB4 CANTILEVER BRACKET

\*Working Loads for Steel Cantilever Brackets shown.

Length - L (mm)	Working Load (kg)*	Hot Dip Galvanised	Stainless Steel
300	1000	CB4-300H <span style="color: green;">A</span>	CB4-300S <span style="color: yellow;">B</span>
450	350	CB4-450H <span style="color: green;">A</span>	CB4-450S <span style="color: yellow;">B</span>
600	345	CB4-600H <span style="color: green;">A</span>	CB4-600S <span style="color: yellow;">B</span>
750	294	CB4-750H <span style="color: green;">A</span>	CB4-750S <span style="color: yellow;">B</span>
900	150	CB4-900H <span style="color: green;">A</span>	CB4-900S <span style="color: orange;">C</span>

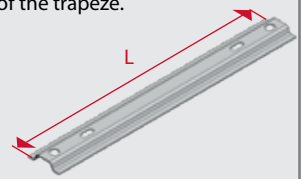


CABLE SUPPORTS

## ET3/5 TRAPEZE BRACKET

\*Working Load is to be a uniformly distributed load along the length of the trapeze.

Suits Tray Width (mm)	Length (L) (mm)	Working Load (kg)*	Pre-Galvanised	Hot Dip Galvanised
150	250	105	TB150G <span style="color: green;">A</span>	TB150H <span style="color: orange;">C</span>
225	325	78	TB225G <span style="color: green;">A</span>	TB225H <span style="color: orange;">C</span>
300	400	62	TB300G <span style="color: green;">A</span>	TB300H <span style="color: orange;">C</span>
450	550	44	TB450G <span style="color: green;">A</span>	TB450H <span style="color: orange;">C</span>
600	700	34	TB600G <span style="color: green;">A</span>	TB600H <span style="color: orange;">C</span>

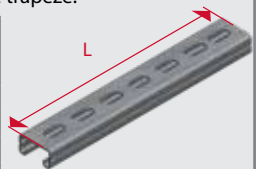


FIRERATED

## ET3/5 E4000SG TRAPEZE BRACKET

\*Working Load is to be a uniformly distributed load along the length of the trapeze.

Suits Tray Width (mm)	Length (L) (mm)	Working Load (kg)*	No. of Slots	Pre-Galvanised	Hot Dip Galvanised
150	263	524	7	TB1504000SG <span style="color: orange;">C</span>	TB1504000SH <span style="color: orange;">C</span>
225	338	350	9	TB2254000SG <span style="color: orange;">C</span>	TB2254000SH <span style="color: orange;">C</span>
300	413	262	11	TB3004000SG <span style="color: orange;">C</span>	TB3004000SH <span style="color: orange;">C</span>
450	563	175	15	TB4504000SG <span style="color: orange;">C</span>	TB4504000SH <span style="color: orange;">C</span>
600	713	131	19	TB6004000SG <span style="color: orange;">C</span>	TB6004000SH <span style="color: orange;">C</span>



PIPE SUPPORTS