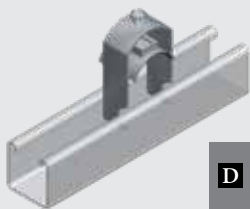


EK CABLE CLAMP



Supplied with fasteners for assembly.

D ALSO AVAILABLE IN STAINLESS STEEL AS MTO.

Cable Dia. (mm)	Hot Dip Galvanised Part Number	Service Guide
14	EK2026-1	A
19	EK2028-1	A
25	EK2030-1	A
32	EK2032-1	A
38	EK2034-1	A
44	EK2036-1	A
51	EK2038-1	A
57	EK2040-1	A
64	EK2042-1	A
70	EK2044-1	A
76	EK2046-1	A

EZYCLAMP

Clamping Diameter: 9.5mm-127mm
Material: Nylon Grade 6
Shear Strength: 700kg



EZYCLAMP



*Please note: cable tie not included.



EZYCLAMPSPB

The EzyClamp is a quick and easy clamping system that interlocks with Ezystrut channel of varying heights.

Description	Part Number	Service Guide
EzyClamp	EZYCLAMP	C
EzyClamp surface mount bracket	EZYCLAMPSPB	C

ETF TRIFOIL CABLE CLAMP



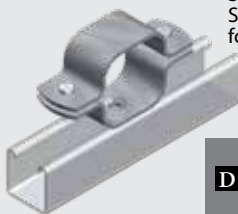
Safely secure 3 cables. Supplied with fasteners for assembly.

Please note that minimum order quantity applies.

D ALSO AVAILABLE IN STAINLESS STEEL AND ALUMINIUM AS MTO.

Cable Dia. (mm)	Part Number	Service Guide
20	ETF20H	D
22	ETF22H	D
24	ETF24H	D
27	ETF27H	D
30	ETF30H	D
31	ETF31H	D
33	ETF33H	D
37	ETF37H	D
41	ETF41H	D
45	ETF45H	D
60	ETF60H	D
91	ETF91H	D

EQF QUADFOIL CABLE CLAMP



Safely secure 4 cables. Supplied with fasteners for assembly.

Please note that minimum order quantity applies.

D ALSO AVAILABLE IN STAINLESS STEEL AND ALUMINIUM AS MTO.

Cable Dia. (mm)	Part Number	Service Guide
20	EQF20H	D
22	EQF22H	D
24	EQF24H	D
27	EQF27H	D
30	EQF30H	D
31	EQF31H	D
33	EQF33H	D
37	EQF37H	D
41	EQF41H	D
45	EQF45H	D

ECBC CONDUIT BEAM CLAMP

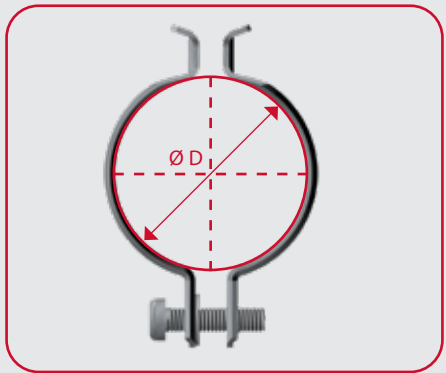
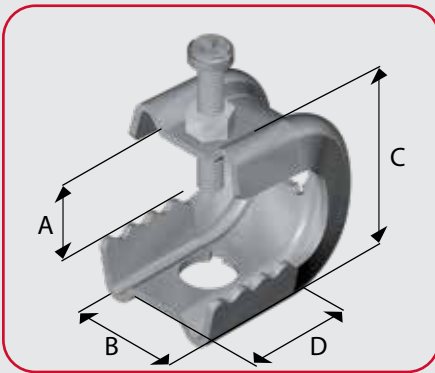
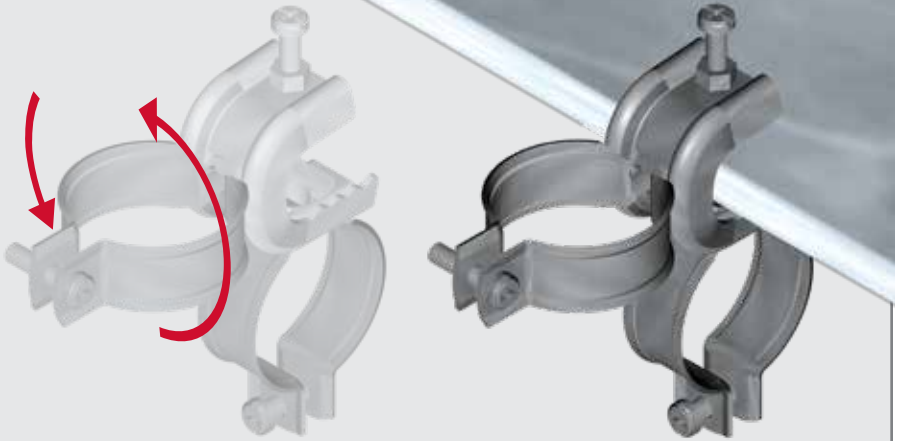
FASTENERS

STRUT SYSTEMS

CABLE SUPPORTS

FIRERATED

PIPE SUPPORTS



ECBC Conduit Beam Clamps are supplied with suitable fasteners.
Measurement A / beam thickness. See opposite page for available sizes and specifications.

HOW TO ORDER ECBC CONDUIT BEAM CLAMPS

Example

ECBC-16-32 H



Select ECBC

Specify Beam Thickness (mm)

16
22
29
50

Select Ø D (mm)

16
20
25
32
40
50

Select Finish

H Hot Dip Galvanised
S Stainless Steel*

*ECBC 22, 29 and 50mm only

Components can be sold separately if required - ask your local representative.

ECBC Available Sizes/Details

Beam Thickness A (mm)	B (mm)	C (mm)	D (mm)	Conduit (Ø D)	Hot Dip Galvanised (AS/NZS4680:2006)		Stainless Steel (304)	
					Part No.	Service Guide	Part No.	Service Guide
16	34	41	47	16	ECBC-16-16H	A	-	-
				20	ECBC-16-20H	A	-	-
				25	ECBC-16-25H	A	-	-
				32	ECBC-16-32H	A	-	-
				40	ECBC-16-40H	A	-	-
				50	ECBC-16-50H	A	-	-
22	35	45	47	16	ECBC-22-16H	A	ECBC-22-16S	A
				20	ECBC-22-20H	A	ECBC-22-20S	A
				25	ECBC-22-25H	A	ECBC-22-25S	A
				32	ECBC-22-32H	A	ECBC-22-32S	A
				40	ECBC-22-40H	A	ECBC-22-40S	A
				50	ECBC-22-50H	A	ECBC-22-50S	A
29	39	59	62	16	ECBC-29-16H	A	ECBC-29-16S	A
				20	ECBC-29-20H	A	ECBC-29-20S	A
				25	ECBC-29-25H	A	ECBC-29-25S	A
				32	ECBC-29-32H	A	ECBC-29-32S	A
				40	ECBC-29-40H	A	ECBC-29-40S	A
				50	ECBC-29-50H	A	ECBC-29-50S	A
50	39	84	75	16	ECBC-50-16H	A	ECBC-50-16S	A
				20	ECBC-50-20H	A	ECBC-50-20S	A
				25	ECBC-50-25H	A	ECBC-50-25S	A
				32	ECBC-50-32H	A	ECBC-50-32S	A
				40	ECBC-50-40H	A	ECBC-50-40S	A
				50	ECBC-50-50H	A	ECBC-50-50S	A

FASTENERS

STRUT SYSTEMS

CABLE SUPPORTS

FIRERATED

PIPE SUPPORTS