

ET EZYTRAY CABLE TRAY



Contact EzyStrut for Load Capability information.

Supplied in 3m lengths

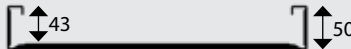
Width (mm)	Pre-Galvanised		Hot Dip Galvanised	
	Weight (kg)	Part No.	Weight (kg)	Part No.
150	3.1/3m	ET150G ▲	3.3/3m	ET150H ▲
300	4.5/3m	ET300G ▲	4.8/3m	ET300H ▲
450	5.9/3m	ET450G ▲	6.3/3m	ET450H ▲
600	7.3/3m	ET600G ▲	7.7/3m	ET600H ▲



ET3 CABLE TRAY

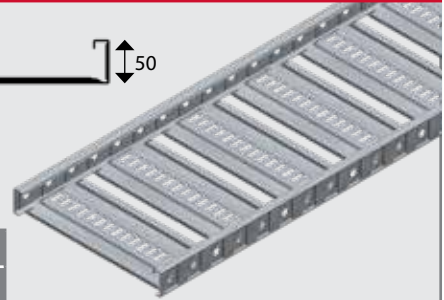
LOAD PER METRE

SPAN	LOAD PER METRE
3.0m	35kg
2.5m	50kg
2.0m	79kg
1.5m	140kg



Supplied in 3m lengths.

Width (mm)	Pre-Galvanised		Hot Dip Galvanised	
	Weight (kg)	Part No.	Weight (kg)	Part No.
150	5.1/3m	ET3150G ▲	5.4/3m	ET3150H ▲
300	7.4/3m	ET3300G ▲	7.8/3m	ET3300H ▲
450	9.7/3m	ET3450G ▲	10.3/3m	ET3450H ▲
600	12/3m	ET3600G ▲	12.7/3m	ET3600H ▲



D AVAILABLE IN ALUMINIUM AS MADE TO ORDER (MTO).

LOAD PER METRE

SPAN	LOAD PER METRE
3.0m	14kg
2.5m	20kg
2.0m	31kg
1.5m	55kg

ET5 CABLE TRAY

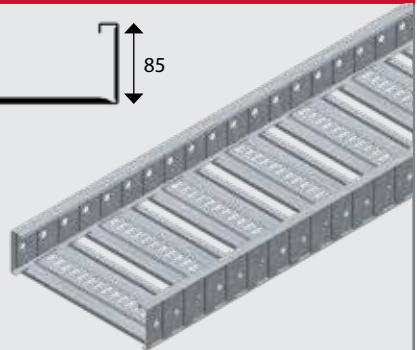
LOAD PER METRE

SPAN	LOAD PER METRE
3.0m	60kg
2.5m	82kg
2.0m	128kg
1.5m	227kg



Supplied in 3m lengths.

Width (mm)	Pre-Galvanised		Hot Dip Galvanised	
	Weight (kg)	Part No.	Weight (kg)	Part No.
150	7/3m	ET5150G ▲	6.6/3m	ET5150H ▲
300	8.9/3m	ET5300G ▲	9.4/3m	ET5300H ▲
450	14.2/3m	ET5450G ▲	15/3m	ET5450H ▲
600	17.2/3m	ET5600G ▲	18.2/3m	ET5600H ▲



Service Guide Key: ▲ Usually in stock at all branches

■ Normal lead time

■ Usually in stock at head office

■ Made to Order (lead time on enquiry)

HOW TO ORDER ET CABLE TRAY

Example

ET 300 G



Select ET Tray

- ET** ET EzyTray Cable Tray
- ET3** ET3 Cable Tray
- ET5** ET5 Cable Tray

Select Width (mm)

- 150
- 300
- 450
- 600

Select Finish

- G** Pre-Galvanised
- H** Hot Dip Galvanised
- A** Aluminium*
*(ET3 only)

See pages 50-51 for assembly instructions for ET Cable Tray.

DS DIVIDER STRIP



S SPLICE



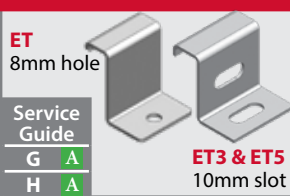
TX TEE/CROSS BRACKET



RL RISER LINK



HD HOLD DOWN



RP RADIUS PLATE



HOW TO ORDER ET CABLE TRAY ACCESSORIES

Example

ET3 S G



Select ET Tray

- ET** ET EzyTray Cable Tray
- ET3** ET3 Cable Tray
- ET5** ET5 Cable Tray

Select Accessory

- S** Splice
- TX** Tee/Cross Bracket
- RL** Riser Link
- HD** Hold Down Unit
- RP** Radius Plate

Select Finish

- G** Pre-Galvanised
- H** Hot Dip Galvanised
- A** Aluminium*
*(ET3 only)

Fasteners required for installation.
Order codes SBH & CNH

FASTENERS

STRUT SYSTEMS

CABLE SUPPORTS

FIRERATED

PIPE SUPPORTS

FASTENERS

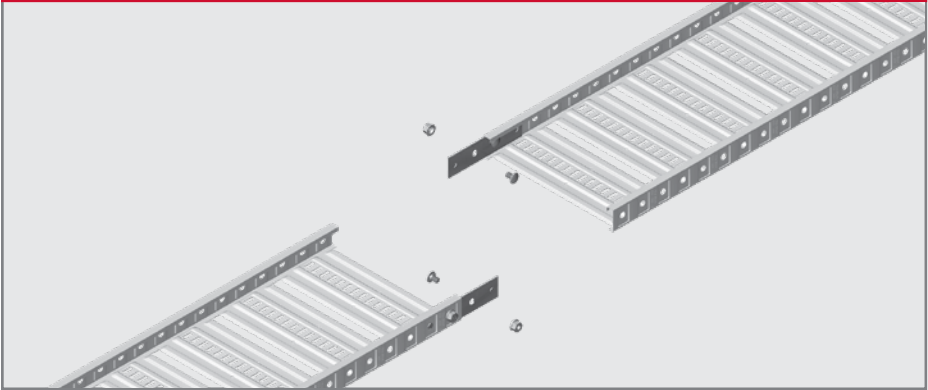
STRUT SYSTEMS

CABLE SUPPORTS

FIRERATED

PIPE SUPPORTS

SPLICE



BEND

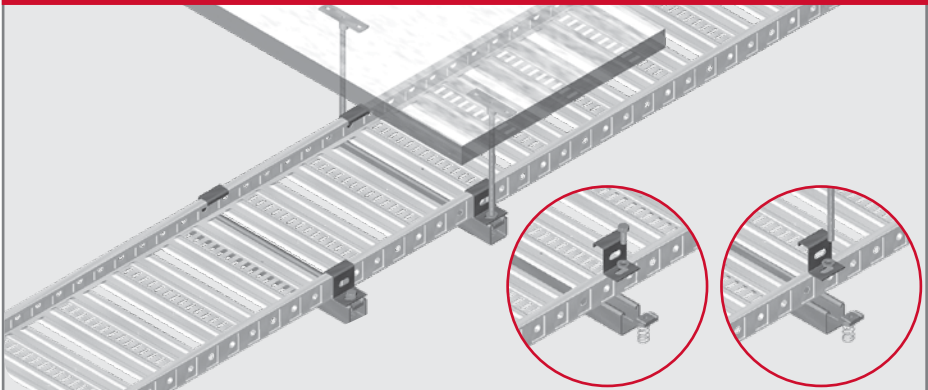


Want to see more? We've got cable tray introduction and demonstration videos online, or you can watch one right now by using your smartphone to scan this QR code.



**PUTTING A
90° BEND IN
CABLE
TRAY**

HOLD DOWN



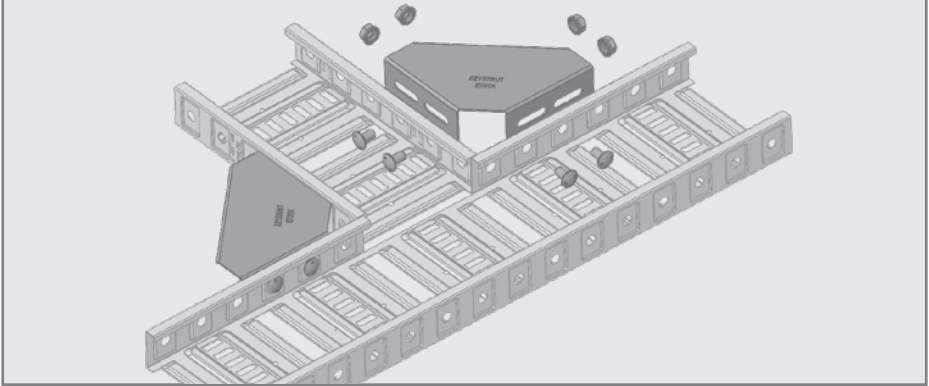
Service Guide Key: **A** Usually in stock at all branches

C Normal lead time

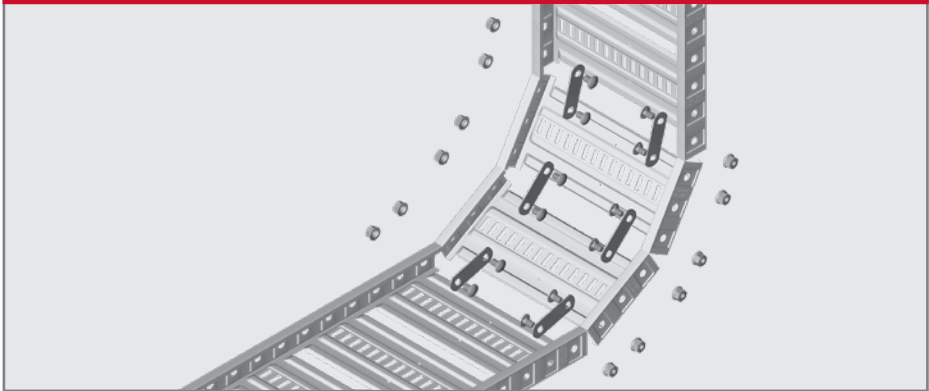
B Usually in stock at head office

D Made to Order (lead time on enquiry)

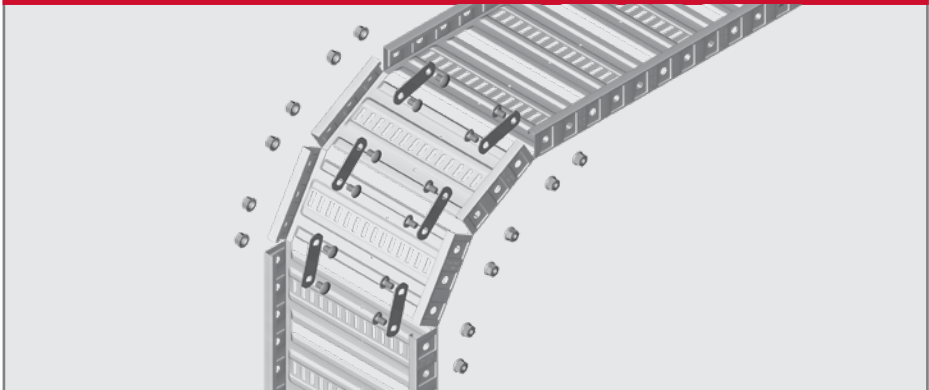
TEE/CROSS



INTERNAL RISER



EXTERNAL RISER



FASTENERS

STRUT SYSTEMS

CABLE SUPPORTS

FIRERATED

PIPE SUPPORTS