

HOW TO ORDER CANTILEVER BRACKETS

Example

CB2 150 H



Select Cantilever Bracket

- CB2** CB2 Cantilever Bracket
- CB4** CB4 Cantilever Bracket
- CB254** CB254 Cantilever Bracket

Select Length (mm)

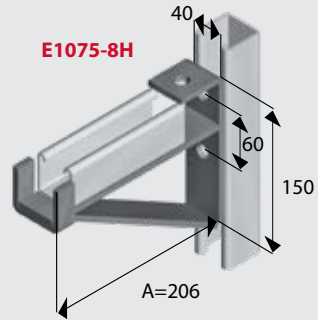
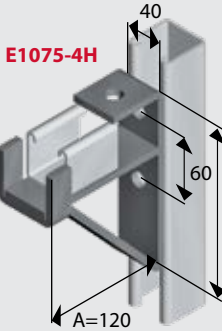
Select Finish

- H** Hot Dip Galvanised
- S** Stainless Steel
- A** Aluminium (MTO)

D OTHER MADE TO ORDER (MTO) SIZES & FINISH OPTIONS AVAILABLE

E1075 CANTILEVER BRACKET

To suit 41mm wide channel/strut.



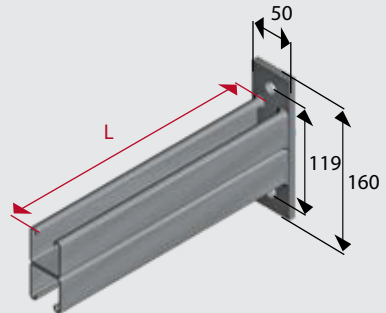
A Length	Part Number	Service Guide
120	E1075-4H	A
206	E1075-8H	A

D ALSO AVAILABLE IN STAINLESS STEEL AS MTO.

CB254 CANTILEVER BRACKET

*Working Loads for Steel Cantilever Brackets shown.

Length - L (mm)	Working Load (kg)*	Hot Dip Galvanised
165	1349	CB254-165H D
300	770	CB254-300H B
450	527	CB254-450H B
600	400	CB254-600H B
750	330	CB254-750H B
900	275	CB254-900H B
1000	195	CB254-1000H D



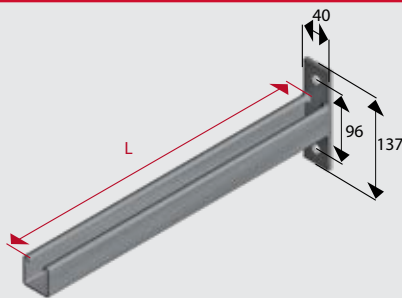
D ALSO AVAILABLE IN STAINLESS STEEL AS MTO.

Service Guide Key: **A** Usually in stock at all branches **B** Usually in stock at head office **C** Normal lead time **D** Made to Order (lead time on enquiry)

CB2 CANTILEVER BRACKET

* Working Loads for Steel Cantilever Brackets shown.

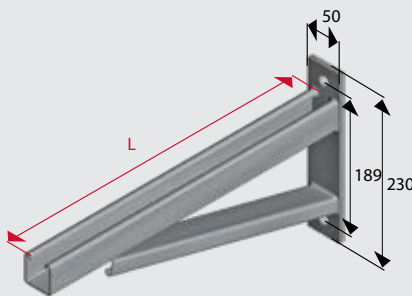
Length - L (mm)	Working Load (kg)*	Hot Dip Galvanised	Stainless Steel
150	526	CB2-150H A	CB2-150S B
300	262	CB2-300H A	CB2-300S B
450	175	CB2-450H A	CB2-450S B
600	131	CB2-600H A	CB2-600S B
750	105	CB2-750H A	CB2-750S C
900	88	CB2-900H A	CB2-900S C



CB4 CANTILEVER BRACKET

*Working Loads for Steel Cantilever Brackets shown.

Length - L (mm)	Working Load (kg)*	Hot Dip Galvanised	Stainless Steel
300	1000	CB4-300H A	CB4-300S B
450	350	CB4-450H A	CB4-450S B
600	345	CB4-600H A	CB4-600S B
750	294	CB4-750H A	CB4-750S B
900	150	CB4-900H A	CB4-900S C



ET3/5 TRAPEZE BRACKET

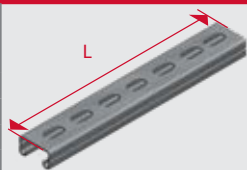
*Working Load is to be a uniformly distributed load along the length of the trapeze.

Suits Tray Width (mm)	Length (L) (mm)	Working Load (kg)*	Pre-Galvanised	Hot Dip Galvanised
150	250	105	TB150G A	TB150H C
225	325	78	TB225G A	TB225H C
300	400	62	TB300G A	TB300H C
450	550	44	TB450G A	TB450H C
600	700	34	TB600G A	TB600H C



ET3/5 E4000SG TRAPEZE BRACKET

Suits Tray Width (mm)	Length (L) (mm)	No. of Slots	Pre-Galvanised	Hot Dip Galvanised
150	250	5	TB1504000SG C	TB1504000SH C
300	400	8	TB3004000SG C	TB3004000SH C
450	550	11	TB4504000SG C	TB4504000SH C
600	700	14	TB6004000SG C	TB6004000SH C



FASTENERS

STRUT SYSTEMS

CABLE SUPPORTS

FIRERATED

PIPE SUPPORTS