

### ECBC CONDUIT BEAM CLAMP

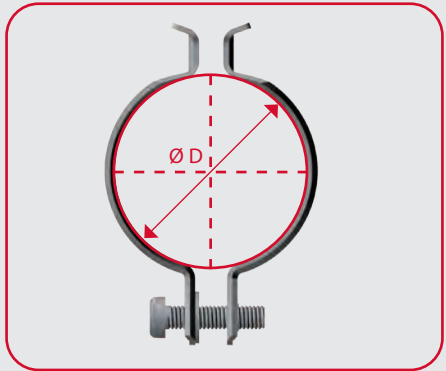
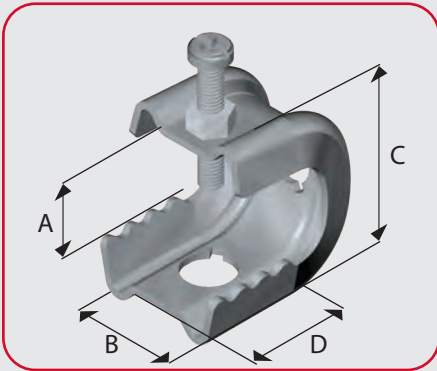
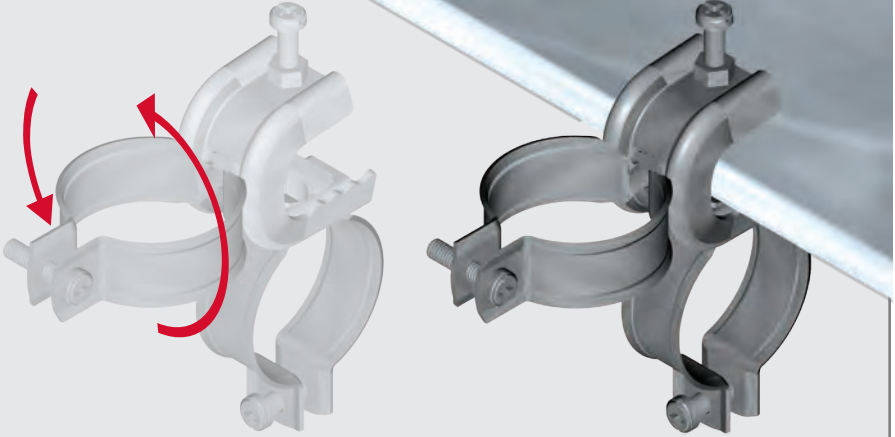
FASTENERS

STRUT SYSTEMS

CABLE SUPPORTS

FIRERATED

PIPE SUPPORTS



ECBC Conduit Beam Clamps are supplied with suitable fasteners.  
Measurement A / beam thickness. See opposite page for available sizes and specifications.

## HOW TO ORDER ECBC CONDUIT BEAM CLAMPS

Example

# ECBC-16-32 H



Select ECBC

Specify Beam Thickness (mm)

16  
22  
29  
50

Select Ø D (mm)

16  
20  
25  
32  
40  
50

Select Finish

H Hot Dip Galvanised  
S Stainless Steel\*

\*ECBC 22, 29 and 50mm only

Components can be sold separately if required - ask your local representative.

## ECBC Available Sizes/Details

Beam Thickness A (mm)	B (mm)	C (mm)	D (mm)	Conduit (Ø D)	Hot Dip Galvanised (AS/NZS4680:2006)		Stainless Steel (304)	
					Part No.	Service Guide	Part No.	Service Guide
16	34	41	47	16	ECBC-16-16H	A	-	-
				20	ECBC-16-20H	A	-	-
				25	ECBC-16-25H	A	-	-
				32	ECBC-16-32H	A	-	-
				40	ECBC-16-40H	A	-	-
				50	ECBC-16-50H	A	-	-
22	35	45	47	16	ECBC-22-16H	A	ECBC-22-16S	A
				20	ECBC-22-20H	A	ECBC-22-20S	A
				25	ECBC-22-25H	A	ECBC-22-25S	A
				32	ECBC-22-32H	A	ECBC-22-32S	A
				40	ECBC-22-40H	A	ECBC-22-40S	A
				50	ECBC-22-50H	A	ECBC-22-50S	A
29	39	59	62	16	ECBC-29-16H	A	ECBC-29-16S	A
				20	ECBC-29-20H	A	ECBC-29-20S	A
				25	ECBC-29-25H	A	ECBC-29-25S	A
				32	ECBC-29-32H	A	ECBC-29-32S	A
				40	ECBC-29-40H	A	ECBC-29-40S	A
				50	ECBC-29-50H	A	ECBC-29-50S	A
50	39	84	75	16	ECBC-50-16H	A	ECBC-50-16S	A
				20	ECBC-50-20H	A	ECBC-50-20S	A
				25	ECBC-50-25H	A	ECBC-50-25S	A
				32	ECBC-50-32H	A	ECBC-50-32S	A
				40	ECBC-50-40H	A	ECBC-50-40S	A
				50	ECBC-50-50H	A	ECBC-50-50S	A

FASTENERS

STRUT SYSTEMS

CABLE SUPPORTS

FIRERATED

PIPE SUPPORTS