

**FIRE RATED
CABLE SUPPORTS**

The widest range of AS/NZS3013:2005 compliant Fire Rated Cable Support Solutions.

EzyStrut understands the needs of installers for projects requiring AS/NZS3013:2005 conformance. These projects need reliability, effortless installation, options for different loads and spans, and assurance of compliance with the stringent standard.

Our Australian engineering team can work with your site requirements to design an appropriate solution for your needs.

Load Over Span

When choosing your cable support system, it is important to consider the weight (*load*) you want to support over a certain *span*. In the case of trapeze mounted cable trays or ladders, the span is the distance between these trapezes, separate from the overall length of the cable support product.

In many cases, the *higher* your desired load, the shorter the maximum allowable spans become, because shorter spans can support more weight. Shorter spans also result in less *deflection*. However, if you require longer spans and less fixing points for your support product, this can be achieved by reducing the maximum load per metre allowable over that span. All published loads assume a uniformly distributed load on installed products.

Support Span is the distance between trapeze supports on your tray or ladder.

Overall Length is the total length of your support product regardless of the quantity of supports.

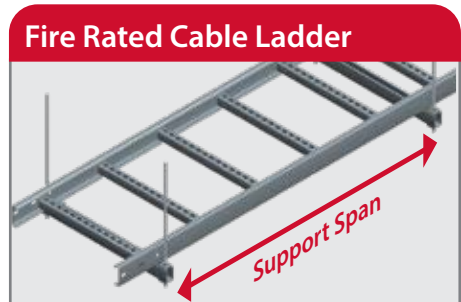
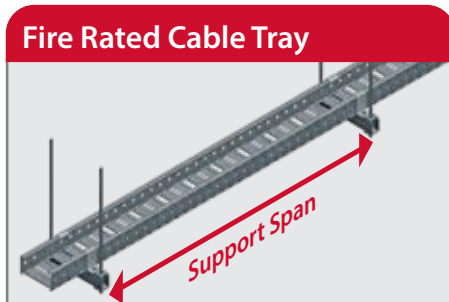
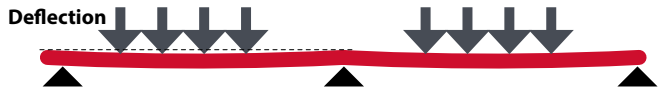
Longer Support Span

- Less support points
- Lower load capability
- Greater deflection

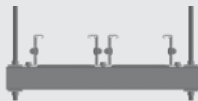
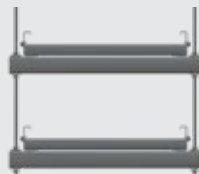


Shorter Support Span

- More support points
- Higher load capability
- Less deflection



Design Profiles

Single*Twin**Double Stack*

AS/NZS3013:2005

All EzyStrut Fire Rated Cable Supports are certified to AS/NZS3013:2005 Appendix C Classification WS5X (2 Hours) with a peak temperature of 1050°C.

Available Lengths

Cable tray offers continuous support of cables along the entire length. Normally it is offered in 3m lengths.

Cable ladder offers greater strength when compared to other cable support products, using welded rungs to support your cables, and is offered in 3 or 6m lengths.

Materials and Finishes

By standard, EzyStrut Fire Rated components are manufactured from steel, and are hot dip galvanised after fabrication to meet AS4680:2006. This gives them a strong, all over coating of zinc that is metalurgically bonded to the parent steel, and means that the product is protected against corrosion in most outdoor environments.

Tray can also be fabricated from pre-galvanised steel, which has a visually clean appearance, and is ideal for inside installations where the product will be visually exposed.

EzyStrut's fabrication services (EzyFab) can assist with arranging for powder coating of all products, as an optional, additional finish, to provide any colour necessary for design reasons, as well as special matte black to prevent reflections on the steel if the product is being installed in an environment such as a road tunnel.

Testing

All testing of EzyStrut Fire Rated Cable Supports is carried out in accordance with relevant loading, and AS/NZS3013:2005 requirements.

All results are independently certified by a NATA accredited facility.

FASTENERS

STRUT SYSTEMS

CABLE SUPPORTS

FIRERATED

PIPE SUPPORTS

DROP-IN ANCHOR (ETA1)



Box Qty: **100**

Size	Zinc (Clear)	Stainless Steel (316)
M6	EDIMSZ73M06025	-
M8	EDIMSZ73M08030	DXTMS08SS
M10	EDIMSZ73M10040	DXTMS10SS
M12	EDIMSZ73M12050	DXTMS12SS

Service Guide All items listed above

INSTALLATION TOOL - MANUAL SETTING TOOL



Box Qty: **1**

Size	Part Number	Service Guide
M6	EDTMSZM06	
M8	EDTMSZM08	
M10	EDTMSZM10	
M12	EDTMSZM12	

LIPPED DROP-IN ANCHOR (ETA1)



Box Qty: **100**
Zinc Plated

Size	Part Number	Service Guide
M10x40	MDLMSYCM100040	
M12x50	MDLMSYCM120050	

LIPPED DROPIN ANCHOR BUCKET



Description	Part Number
M10x40mm (500pcs)	DLXTM1040BK
M12x50mm (300pcs)	DLXTM1250BK

INSTALLATION TOOL - MANUAL SETTING TOOL



Box Qty: **1**

Size	Part Number	Service Guide
M6	EDTMSZM06	
M8	EDTMSZM08	
M10	EDTMSZM10	
M12	EDTMSZM12	

THROUGH BOLT (ETA1) ZP



Box Qty: **25-100** varies depending on screw size.



Zinc Plated
Size = thread size x length (mm)

Size	Part Number	Service Guide
M8x80	EAWMSZD15M080080	
M8x100	EAWMSZD15M080100	
M8x120	EAWMSZD15M080120	
M10x90	EAWMSZD15M100090	
M10x120	EAWMSZD15M100120	
M12x80	TB12080	
M12x100	TB12100	
M12x140	TB12140	
M12x180	TB12180	

THROUGH BOLT (ETA1) SS



Box Qty: **25-200** varies depending on screw size.

Stainless Steel (316)
Size = thread size x length (mm)

Size	Part Number	Service Guide
M8x68	EAW16PD17M080068	
M8x75	EAW16PD17M080075	
M8x90	EAW16PD17M080090	
M8x115	EAW16PD17M080115	
M8x135	EAW16PD17M080135	
M10x65	TB10065SS	
M10x90	EAW16PD18M100090	
M10x105	EAW16PD18M100105	
M10x110	EAW16PD18M100110	
M10x135	EAW16PD18M100135	
M10x155	EAW16PD18M100155	
M10x185	EAW16PD18M100155	
M12x110	EAW16PD18M120110	
M12x120	EAW16PD18M120120	
M12x145	EAW16PD18M120145	

Service Guide Key: Usually in stock at all branches

Normal lead time

Usually in stock at head office

Made to Order (lead time on enquiry)

SCREW BOLT (ETA1)

Fire Rated



Box Qty: **20-50** varies depending on screw size.

Zinc Plated

Size = thread size x length (mm)

Size	Part Number	Service Guide
M10x60	SXTB1060	C
M10x75	SXTB1075	C
M10x100	SXTB10100	C
M10x120	SXTB10120	C
M10x140	SXTB10140	C
M10x200	SXTB10200	C
M12x80	SXTB1280	C
M12x100	SXTB12100	C
M12x150	SXTB12150	C
M12x200	SXTB12200	C

HANGER MATE™ INTERNAL THREADED ROD HANGERS

Fire Rated



Installation tools are also available.

Box Qty: **100**

Zinc Plated

Size	Description	Part Number	Service Guide
M10	6x40mm	SXTB-IM06035	C
M12	8x50mm	SXTB-IM05050-M10	A

SNAKE-PRO™

Fire Rated



Powers' Snake-Pro is an internally threaded self-tapping anchor.

Box Qty: **50**

Zinc Plated

Size	Part Number	Service Guide
M10	SM10PRO-PWR	C

INSTALLATION TOOL - SDS PLUS DRILL BIT



Box Qty: **1**

Size	Part Number	Service Guide
12.7	SB12.7x50-PWR	C

INSTALLATION TOOL - SETTING TOOL



Box Qty: **1**

Size	Part Number	Service Guide
M8	SSTM8-PWR	C
M10	SSTM10-PWR	C

SNAKE-PRO™ BULK BUCKET

Includes 500pcs, 2 x drill bits and 1 x setting tool.

Size	Part Number	Service Guide
M10	SM10KIT-PWR	C

THREADED ROD HANGER (CONCRETE SCREW ADAPTOR)

Fire Rated



Box Qty: **50**

Zinc Plated

Size = internal thread

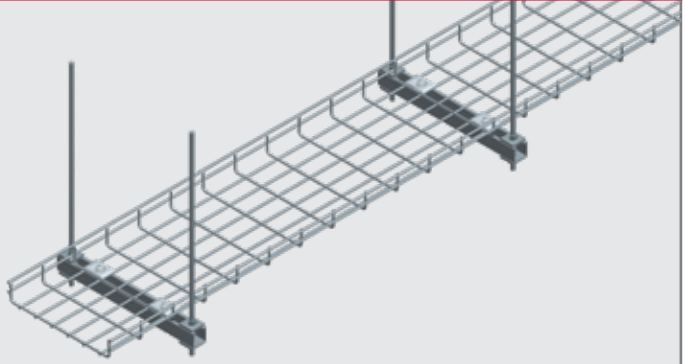
Size	Description	Part Number	Service Guide
M8-M10	6 x 35mm	MUMMCSI05540603	C
	6 x 55mm	MUMMCSI05540605	C

Can't find what you need?

We have a fixings, fasteners and consumables catalogue with more details and range of products available.

Request a copy from your representative or download from our website.

FIRE RATED EZYMESH CABLE MESH

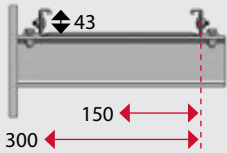


Please note:

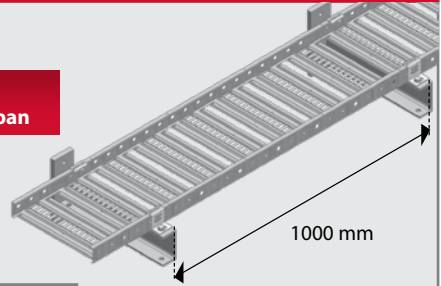
EzyStrut is currently redesigning our Fire Rated EzyMesh Cable Mesh range. Please consult your local representative to discuss your requirements and an alternative solution.

For similar load rating options, view page 90-91 for Fire Rated Cable Tray. Or if it is a large project, we can offer a 6mm Fire Rated Cable Mesh as made to order (MTO) with a minimum order quantity of 500.

FRCL20ET3 FIRE RATED CANTILEVER ASSEMBLY



20kg/m
over a 1.0m Span

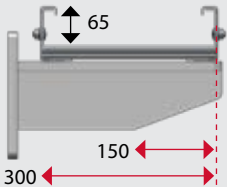


Supplied in 3m lengths

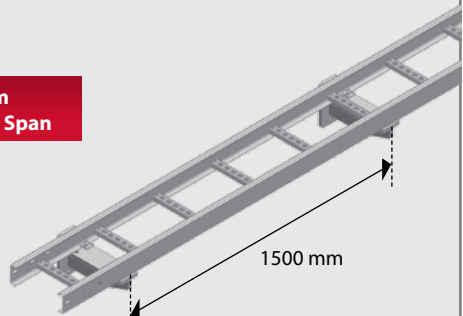
Cable Laying Width (mm)	Pre-Galvanised	Hot Dip Galvanised
150	FRCL20ET3150KG	FRCL20ET3150KH
300	FRCL20ET3300KG	FRCL20ET3300KH

D AVAILABLE AS
MADE TO ORDER (MTO).

FRCL35 FIRE RATED LADDER CANTILEVER ASSEMBLY



35kg/m
over a 1.5m Span



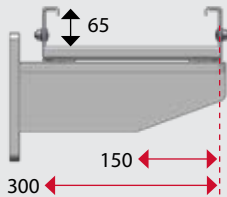
1500 mm

Cable Laying Width (mm)	Hot Dip Galvanised
150	FRCL35150KH
300	FRCL35300KH

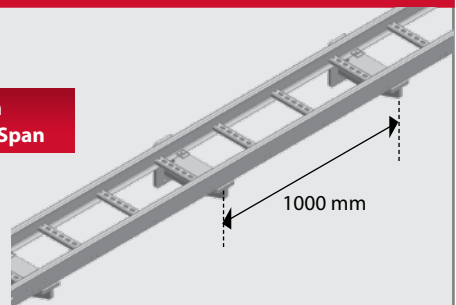
Available in 3m or 6m lengths
6m lengths standard

D AVAILABLE AS
MADE TO ORDER (MTO).

FRCL50 FIRE RATED LADDER CANTILEVER ASSEMBLY



50kg/m
over a 1.0m Span



1000 mm

Cable Laying Width (mm)	Hot Dip Galvanised
150	FRCL50150KH
300	FRCL50300KH

Available in 3m or 6m lengths
6m lengths standard

D AVAILABLE AS
MADE TO ORDER (MTO).

FASTENERS

STRUT SYSTEMS

CABLE SUPPORTS

FIRERATED

PIPE SUPPORTS

All Fire Rated Cable Tray is supplied in kit form with accessories necessary for installation (trapezes are included but anchors and threaded rod are purchased separately). Please contact EzyStrut for kit inclusions and installation instructions.

AS/NZS3013:2005
FIRE RATED
CABLE SUPPORT SYSTEMS

FASTENERS

STRUT SYSTEMS

CABLE SUPPORTS

FIRERATED

PIPE SUPPORTS

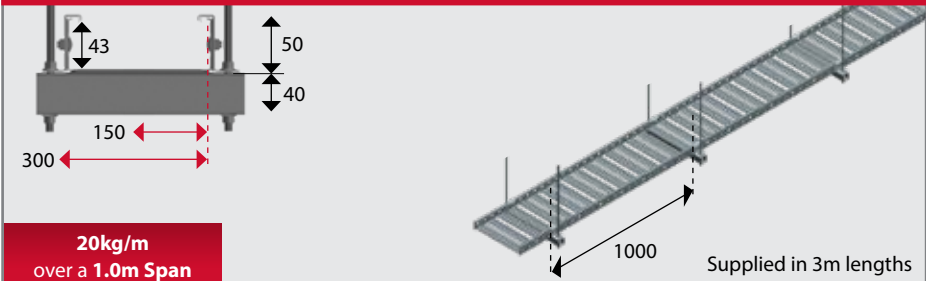
FR12 ET5 FIRE RATED CABLE TRAY



12.5kg/m
over a 1.5m Span

Cable Laying Width (mm)	Trapeze Width (mm)	Weight (kg)	Threaded Rod	Pre-Galvanised	Hot Dip Galvanised
150	327	14.9/3m	M12	FR12ET5150KG D	FR12ET5150KH D
300	477	19.8/3m	M12	FR12ET5300KG D	FR12ET5300KH D

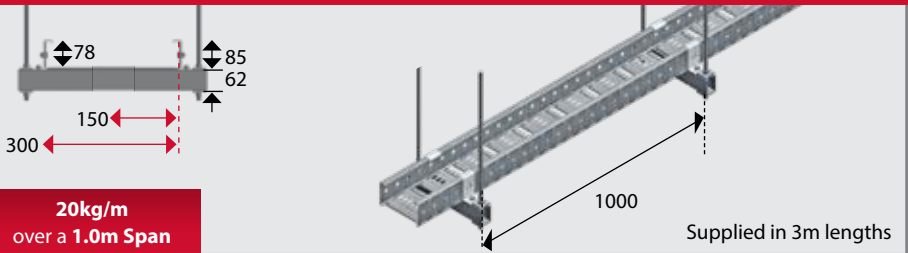
FR20 ET3 FIRE RATED CABLE TRAY



20kg/m
over a 1.0m Span

Cable Laying Width (mm)	Trapeze Width (mm)	Weight (kg)	Threaded Rod	Pre-Galvanised	Hot Dip Galvanised
150	262	8.4/3m	M10	FR20ET3150KG D	FR20ET3150KH D
300	412	12.2/3m	M10	FR20ET3300KG D	FR20ET3300KH D

FR20 ET5 FIRE RATED CABLE TRAY

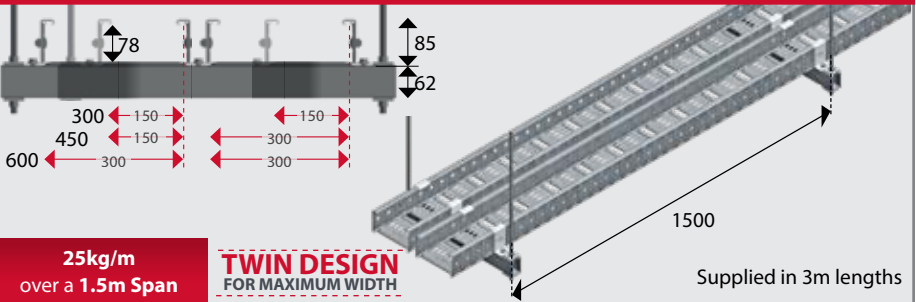


20kg/m
over a 1.0m Span

Supplied in 3m lengths

Cable Laying Width (mm)	Trapeze Width (mm)	Weight (kg)	Threaded Rod	Pre-Galvanised	Hot Dip Galvanised
150	327	16.6/3m	M12	FR20ET5150KG D	FR20ET5150KH D
300	477	22/3m	M12	FR20ET5300KG D	FR20ET5300KH D

FR25 ET5 FIRE RATED CABLE TRAY, Twin Design



25kg/m
over a 1.5m Span

TWIN DESIGN
FOR MAXIMUM WIDTH

Supplied in 3m lengths

Cable Laying Width (mm)	Trapeze Width (mm)	Weight (kg)	Threaded Rod	Pre-Galvanised	Hot Dip Galvanised
300	530	28.4/3m	M12	FR25ET5300KG D	FR25ET5300KH D
450	680	32.3/3m	M12	FR25ET5450KG D	FR25ET5450KH D
600	830	38.1/3m	M12	FR25ET5600KG D	FR25ET5600KH D

FR40 ET5 FIRE RATED CABLE TRAY, Twin Design



40kg/m
over a 1.0m Span

TWIN DESIGN
FOR MAXIMUM WIDTH

Supplied in 3m lengths

Cable Laying Width (mm)	Trapeze Width (mm)	Weight (kg)	Threaded Rod	Pre-Galvanised	Hot Dip Galvanised
300	530	31.1/3m	M12	FR40ET5300KG D	FR40ET5300KH D
450	680	36.5/3m	M12	FR40ET5450KG D	FR40ET5450KH D
600	830	41.9/3m	M12	FR40ET5600KG D	FR40ET5600KH D

FASTENERS

STRUT SYSTEMS

CABLE SUPPORTS

FIRERATED

PIPE SUPPORTS

HOW TO ORDER FIRE RATED CABLE LADDER

Example

FR100 L 150 6 K H

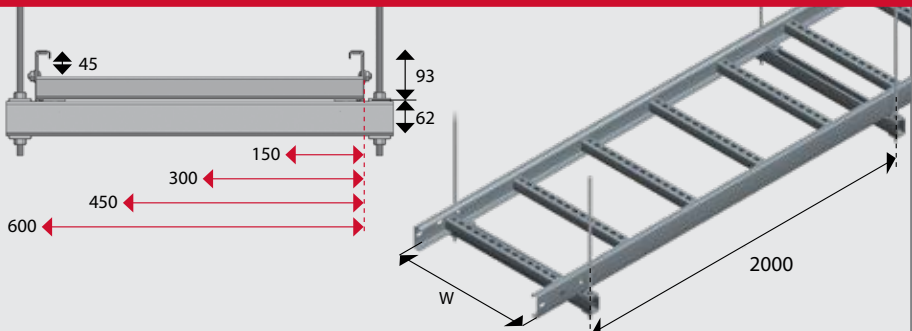


Select Fire Rated Load	Specify Ladder	Select Width (mm)	Select Length (m)	Specify Kit*	Apply Finish
FR20 20kg/m	L Ladder	150	3	K Fire Rated Kit, inc. trapezes	H Hot Dip Galvanised
FR26 26kg/m		300	6 (Standard)		
FR50 50kg/m		450			
FR60 60kg/m		600			
FR70 70kg/m					
FR100 100kg/m					
FR100D 100kg/m (Double Stacked)					
FR114D 114kg/m (Double Stacked)					

* All supplied in kit form with accessories necessary for installation (trapezes are included but anchors and threaded rod are purchased separately). Please contact EzyStrut for installation instructions.

AS3013 : 2005
FIRE RATED
CABLE SUPPORT SYSTEMS

FR20 FIRE RATED CABLE LADDER

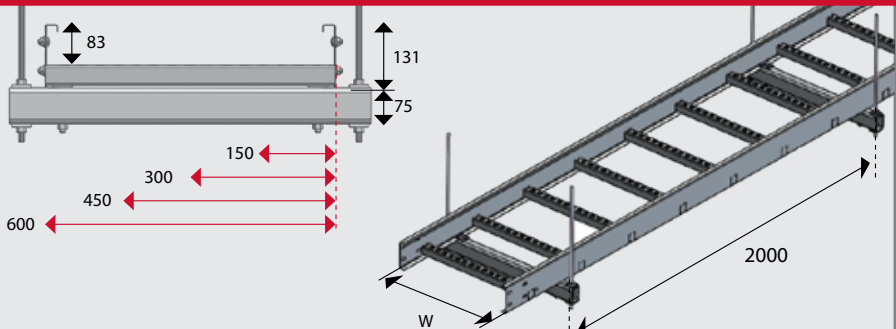


20kg/m
over a **2m Span**

Available in 3m or 6m lengths
6m lengths standard

D AVAILABLE AS
MADE TO ORDER (MTO).

FR26 FIRE RATED CABLE LADDER



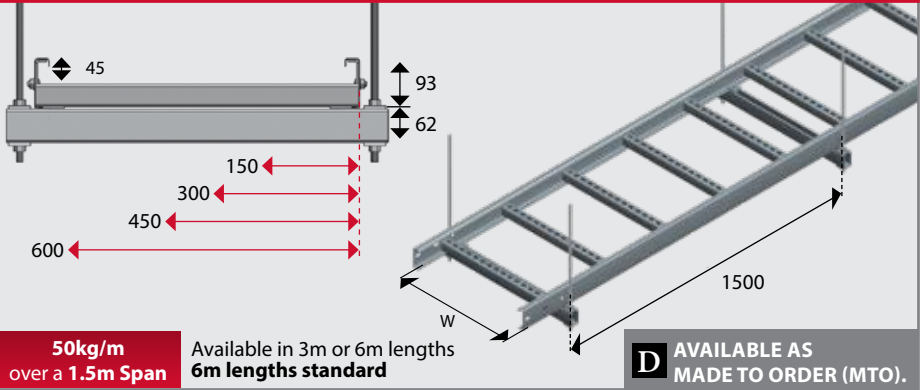
26kg/m
over a **2m Span**

Available in 3m or 6m lengths
6m lengths standard

D AVAILABLE AS
MADE TO ORDER (MTO).

Service Guide Key: **A** Usually in stock at all branches **B** Usually in stock at head office
C Normal lead time **D** Made to Order (lead time on enquiry)

FR50 FIRE RATED CABLE LADDER

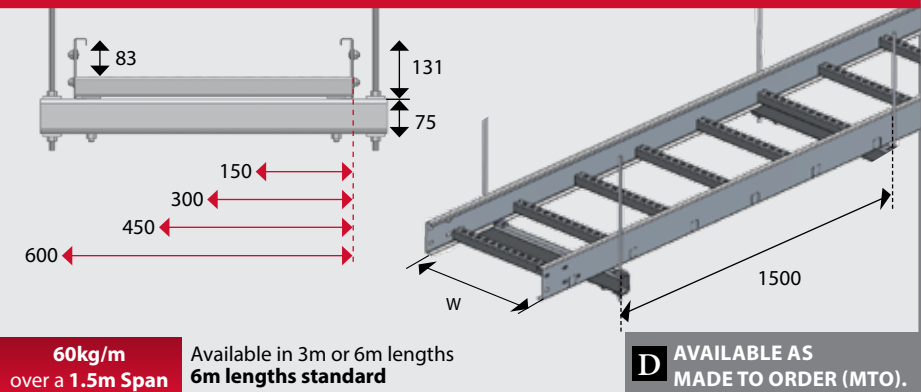


50kg/m
over a 1.5m Span

Available in 3m or 6m lengths
6m lengths standard

D AVAILABLE AS
MADE TO ORDER (MTO).

FR60 FIRE RATED CABLE LADDER

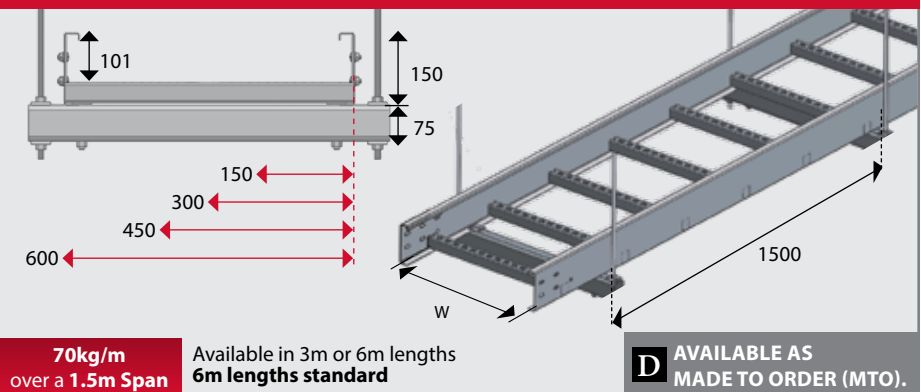


60kg/m
over a 1.5m Span

Available in 3m or 6m lengths
6m lengths standard

D AVAILABLE AS
MADE TO ORDER (MTO).

FR70 FIRE RATED CABLE LADDER



70kg/m
over a 1.5m Span

Available in 3m or 6m lengths
6m lengths standard

D AVAILABLE AS
MADE TO ORDER (MTO).

FASTENERS

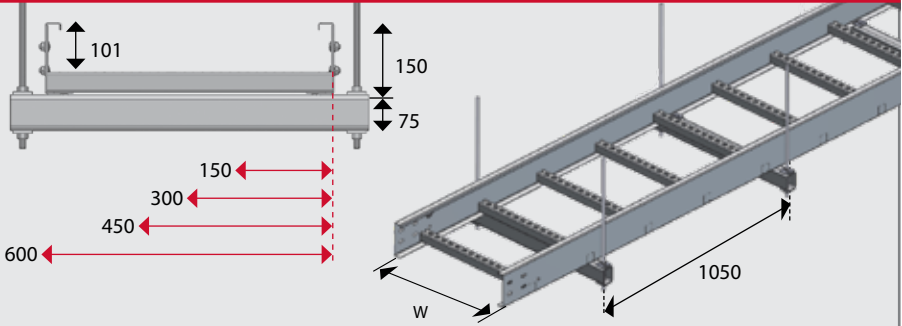
STRUT SYSTEMS

CABLE SUPPORTS

FIRERATED

PIPE SUPPORTS

FR100 FIRE RATED CABLE LADDER

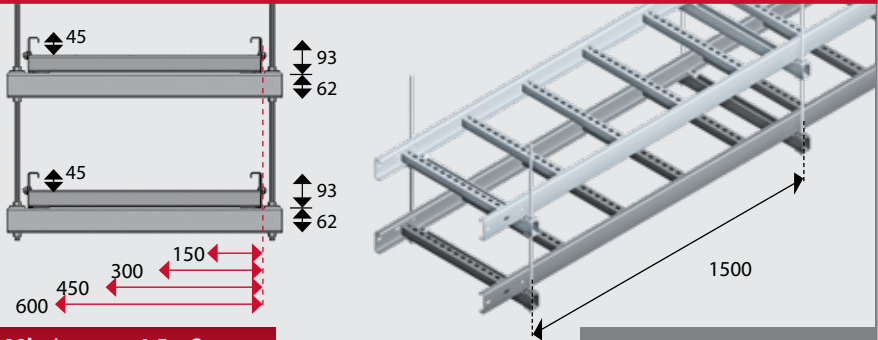


100kg/m
over a **1.05m Span**

Available in 3m or 6m lengths
6m lengths standard

D AVAILABLE AS
MADE TO ORDER (MTO).

FR100D FIRE RATED CABLE LADDER, Double Stacked

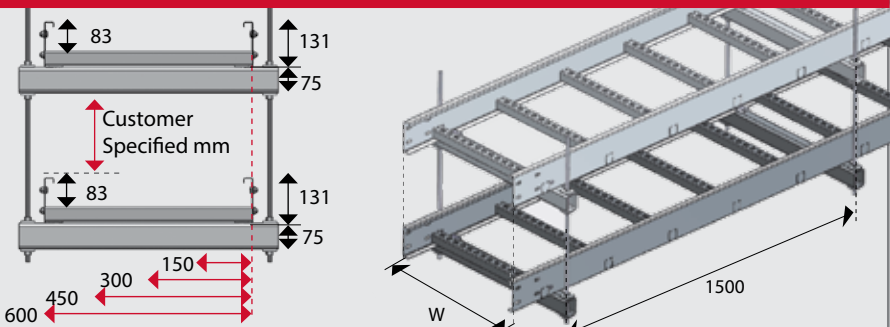


100kg/m over a 1.5m Span
(50kg/m on each ladder max)

Available in 3m or 6m lengths
6m lengths standard

D AVAILABLE AS
MADE TO ORDER (MTO).

FR114D FIRE RATED CABLE LADDER, Double Stacked



114kg/m over a 1.5m Span
(57kg/m on each ladder max)

Available in 3m or 6m lengths
6m lengths standard

D AVAILABLE AS
MADE TO ORDER (MTO).

Service Guide Key: **A** Usually in stock at all branches

B Usually in stock at head office

C Normal lead time

D Made to Order (lead time on enquiry)

HOW TO ORDER FITTINGS TO SUIT FIRE RATED LADDER — Bends, Internal/External Risers, Tees & Crosses

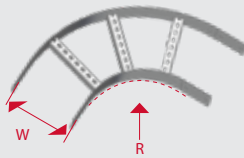


Example **FR50 B 300 3 H**

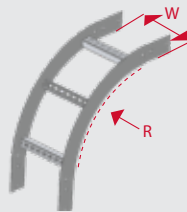
Select Fire Rated Load	Specify Fitting	Select Width - W (mm)	Select Radius -R (mm)	Apply Finish
FR20 20kg/m	B Bend	150	3 300	H Hot Dip Galvanised
FR26 26kg/m	ER Ext. Riser	300	4 450	
FR50 50kg/m	IR Int. Riser	450	6 600	
FR60 60kg/m	T Tee	600		
FR70 70kg/m	C Cross			
FR100 100kg/m				
FR100D 100kg/m (Double Stacked)				
FR114D 114kg/m (Double Stacked)				

BENDS, RISERS, TEES & CROSSES FOR FIRE RATED CABLE LADDER

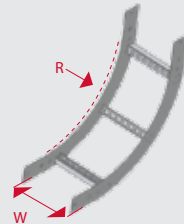
B BEND



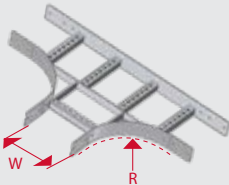
ER EXTERNAL RISER



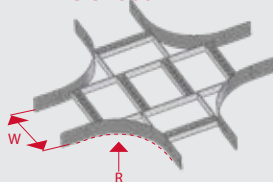
IR INTERNAL RISER



T TEE



C CROSS



Fittings suited to FR50 shown for illustration purposes.

D AVAILABLE AS MADE TO ORDER (MTO).