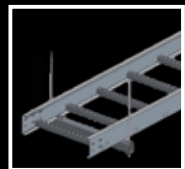
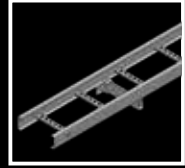
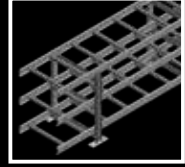


# EzyStrut

Cable & Pipe Supports

\* *We manufacture in Australia, and have supported Australian jobs for over 30 years.*

AS/NZS3013:2005  
**FIRE RATED**  
CABLE SUPPORT SYSTEMS



**AUSTRALIA'S LEADING RANGE OF  
CABLE AND PIPE SUPPORT SYSTEMS.**

[www.ezystrut.com.au](http://www.ezystrut.com.au)

# AS/NZS3013:2005

# **FIRE RATED**

## CABLE SUPPORT SYSTEMS

### **LOOK FOR THE EZYSTRUT FIRE RATED TO AS/NZS3013:2005 LOGO.**

It's a sure sign your cable management solution is designed in Australia, independently tested to meet Australian and New Zealand fire safety standards, and has been selected from Australia's widest range of fire rated products.

### **WHY RISK INSTALLING ANYTHING ELSE?**



Since the introduction of **AS/NZS3013:2005**, the demand for fire rated electrical systems across Australia and around the world has grown rapidly.

EzyStrut was the first Australian manufacturer to design and seek independent certification for a fire rated cable support system almost a decade ago, establishing EzyStrut's reputation as a pioneer of innovative and cutting-edge cable support solutions.

Each year, with each major project that EzyStrut supplies, our range of fire rated solutions continues to expand. Now offering more than **one thousand** different certified options, as well as the experience and capability to design custom solutions, EzyStrut is ready to meet the specifications of your project, no matter how challenging the assignment.



## CONTENTS

4	<b>TECHNICAL INFORMATION</b>
8	<b>HOW TO ORDER</b>
10	<b>TRAPEZE SYSTEMS</b>
18	<b>CANTILEVER SYSTEMS</b>
26	<b>H-FRAME SYSTEMS</b>
30	<b>CUSTOM SOLUTIONS</b>
34	<b>FASTENERS</b>

## TECHNICAL INFORMATION

### LOAD OVER SPAN

When choosing your cable support system, it is important to consider the weight (**load**) you want to support over a certain **span**. In the case of trapeze mounted cable trays or ladders, the span is the distance between these trapezes, separate from the overall length of the cable support product.

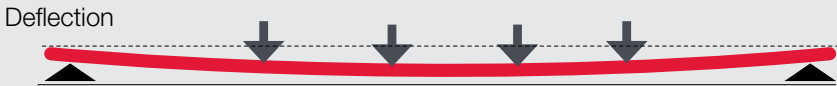
In many cases, the **higher** your desired load, the shorter the maximum allowable spans become, because shorter spans can support more weight. Shorter spans also result in less **deflection**. However, if you require longer spans and less fixing points for your support product, this can be achieved by reducing the maximum load per metre allowable over that span, or upgrading to a heavier duty system.

**Support Span** is the distance between trapeze supports on your tray or ladder.

**Overall Length** is the total length of your support product regardless of the quantity of supports.

### LONGER SUPPORT SPAN

- Less Support Points
- Lower Load Capability
- Greater Deflection



### SHORTER SUPPORT SPAN

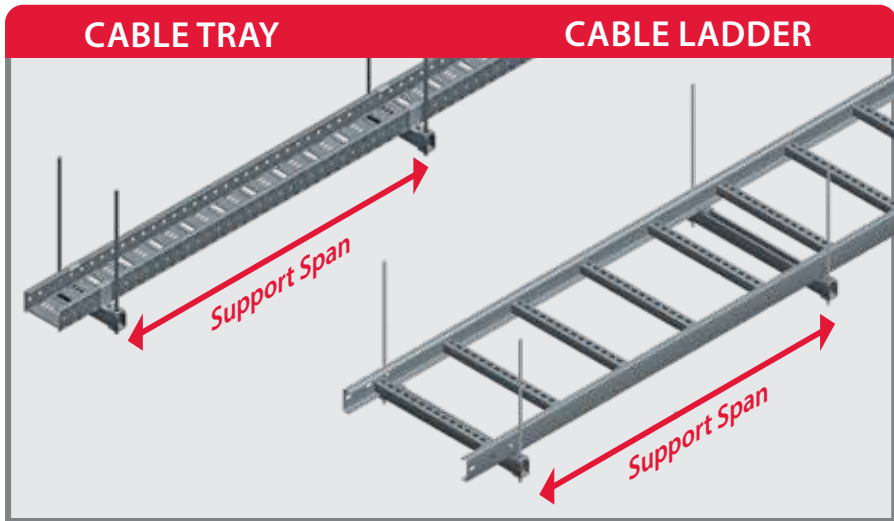
- More Support Points
- Higher Load Capability
- Less Deflection



## CABLE TRAY VS CABLE LADDER

Cable **tray** offers continuous support of cables along the entire length and is generally a lighter solution than cable ladder. Usually, cable tray is offered in 3m lengths.

Cable **ladder** offers greater strength when compared to other cable support products, using welded rungs to support your cables, and is offered in 3m or 6m lengths.



## AS/NZS3013:2005

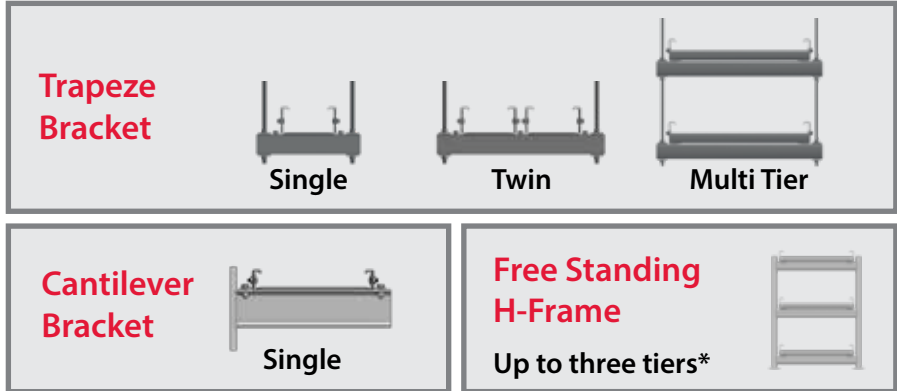
All EzyStrut fire rated cable supports are certified to AS/NZS3013:2005 Appendix C Classification WS5X (2 Hours) with a peak temperature of 1050°C. AS/NZS3013:2005 certification is only achieved by abiding by the installation information contained in this catalogue.

## TESTING

All testing of EzyStrut fire rated cable supports is carried out in accordance with relevant loading, and AS/NZS3013:2005 requirements. All results are independently certified by a NATA accredited facility.

## SUPPORT BRACKETS AVAILABLE

EzyStrut's standard fire rated cable support bracket range includes trapeze mounts (single, side-by-side and multi-tiered), cantilever brackets and floor mounted free standing H-Frame assemblies.

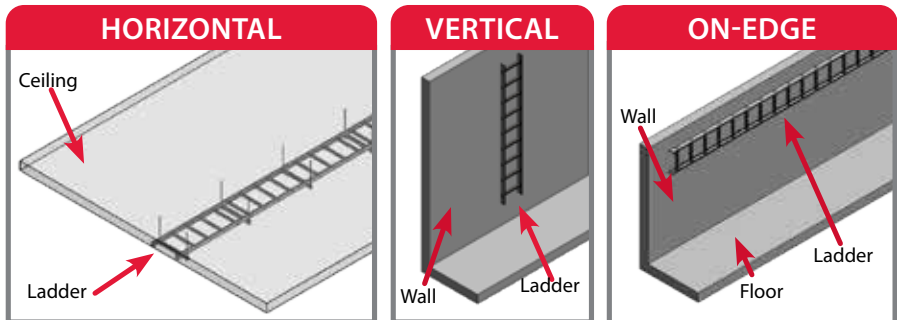


\* for standard H-Frames. Please contact EzyStrut for increased tier options.

## AVAILABLE ORIENTATIONS

All our fire rated cable tray and ladder can be used in horizontal orientation. However, some of our fire rated cable tray and ladder **can also be installed vertically** and on-edge configuration (ladder rung perpendicular to ground).

Please contact EzyStrut for further information and assistance in selecting the right option for you.



## MATERIALS AND FINISHES

EzyStrut have tested and certified to AS/NZS3013:2005 both light and heavy duty systems in their common materials and finishes.

For light duty tray systems, we have standard pre-galvanised material with an option to go to hot dip galvanised for added durability.

EzyStrut's ladder systems, on the other hand, are supplied standard in hot dip galvanised finish, providing strength and resilience in heavy duty applications. If an even more durable solution is required, please enquire with our sales team about our capability to fabricate with 316 grade stainless steel.

## POWDERCOATING IS AVAILABLE

EzyStrut's fabrication services (EzyFab) can also assist with arranging for **powder coating** of all products, as an optional, additional finish, to provide any colour necessary for design reasons, as well as special matte black to prevent reflections on the steel if the product is being installed in an environment such as a road tunnel.

## FIXINGS AND FASTENERS

In the final few pages of this catalogue is a list of some useful **fixings** and **fasteners** that can be used with fire rated installations. EzyStrut has partnered with Australia's leading suppliers of fastener solutions, such as **Iccons**, **Hobson Engineering**, and **Bremick Fasteners** to stock a wide range of fire rated and seismic compliant accessories. These partnerships take the hassle out of selecting the ideal method for affixing cable and pipe supports to any substrate. If you're looking for something that isn't listed in this catalogue, please check out our *Fixings, Fasteners and Consumables Guide*, which is available for download from our website, or upon request to your sales executive.





## HOW TO ORDER

### IT ALL STARTS BY GETTING IN TOUCH

EzyStrut's complete range of compliant fire rated support systems now numbers in excess of **one thousand different options** and the range continues to grow, as more configurations and brand new products are tested for suitability in major projects around Australia.

The growing number of options provides unprecedented flexibility. EzyStrut can assist contractors to install an AS/NZS3013:2005 compliant system that is the **best value for money, minimising installation time and providing years of reliable service.**

Fire rated systems are sold in kit form, containing all of the tray or ladder, support brackets, splice plates, hold downs and fasteners required for installation. Given that many of the individual products are used across a number of the kit options available, the best way to ensure you will install the correct gear is to request a quote from your local branch of EzyStrut.

EzyStrut's internal sales staff are trained to take the information you provide and match it to the most suitable system, listing a complete bill of materials in quote form which can be converted to an order at any time. Using our internal calculating systems, your customer service officer will provide a detailed breakdown of all the components required, along with accurate quantities.

The new approach means that purchase orders for fire rated systems can now be supplied in part if required, making life easier when site storage is limited or where installation is a staged process. Furthermore, any made-to-order items will not hold up supply of other components, meaning site installation can commence whilst waiting for the manufactured products to arrive.



TECHNICAL  
INFORMATION

TRAPEZE

CANTILEVER

H-FRAME










CUSTOM  
SOLUTIONS

FASTENERS



## THE PARAMETERS YOU NEED TO CONSIDER

Below is a list of the options you will be asked to consider when liaising with our sales teams. Please review the contents of this catalogue and note the required parameters listed below, so that our team can tailor the best fire rated system for your installation.

	Type of <b>tray</b> or <b>ladder</b>
	Type of <b>support</b> assembly
	Required <b>load rating</b> (kg) per metre
	<b>Support span</b> possible
	Preferred cable laying <b>width</b>
	Preferred tray or ladder <b>length</b>
	Number of <b>tiers</b> required
	<b>Single</b> or <b>twin (side-by-side)</b> design
	<b>Material finish</b>

TRAPEZE

CANTILEVER

H-FRAME

CUSTOM  
SOLUTIONS

FASTENERS

## CABLE TRAY TRAPEZE SYSTEMS

AS/NZS3013:2005 fire rated cable trays are suitable for installation in internal or external conditions, and supplied complete with trapeze assemblies to enable suspended, horizontal installation.

WS5X classification to standard AS/NZS3013:2005 Appendix C.

<b>Standard Length</b>	3m
<b>Cabling Widths</b>	150mm - 600mm
<b>Cabling Depths</b>	40mm - 78mm
<b>Load Capabilities</b>	12.5kg/m to 50kg/m
<b>Installation</b>	Horizontal, on trapeze
<b>Available Finishes</b>	Pre-Galvanised [G] Hot Dip Galvanised [H]
<b>Painting / Powder Coating Available?</b>	Yes

The EzyStrut range of fire rated cable trays offer continuous support for your cables along their entire lengths.

They are formed with precision and engineered to maximise the strength capability of the steel. They are fabricated from pre-galvanised steel, for a long corrosion resistant life, with a clean looking, high quality surface, great for inside installation. Alternatively, all components can be hot dip galvanised after fabrication for greater corrosion protection. Powder coating is also available as an option to meet any aesthetic colour requirements.

All fire rated cable trays are supplied as trapeze kits with accessories necessary for installation to ensure compliance with AS/NZS3013:2005 (anchors and threaded rod are purchased separately).



TECHNICAL  
INFORMATION

TRAPEZE

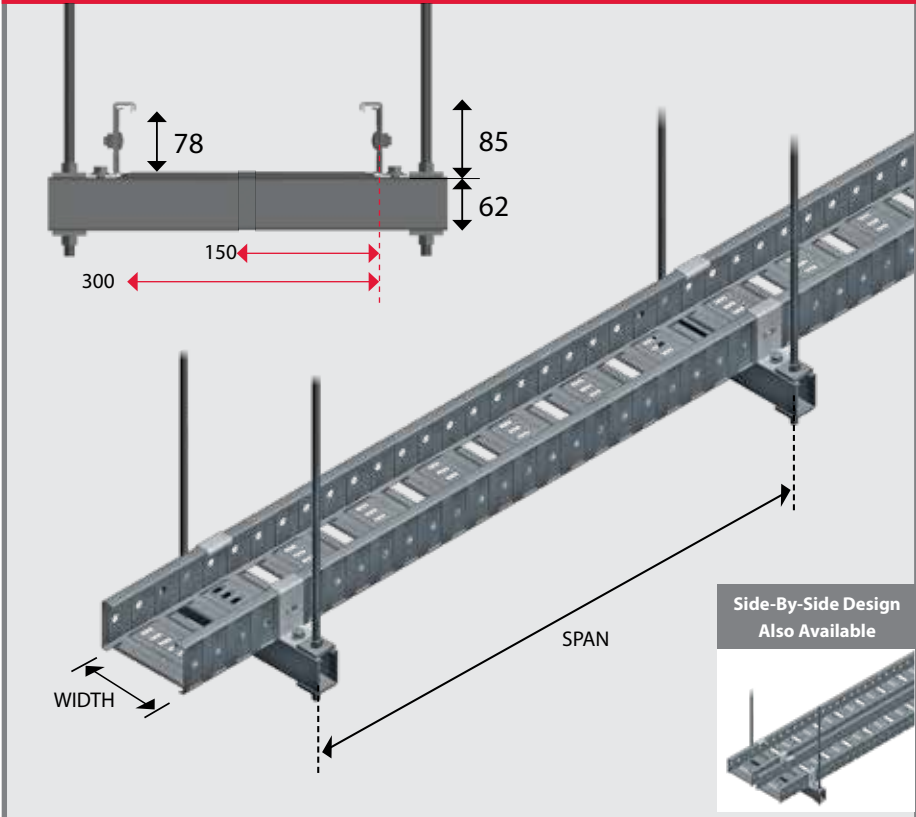
CANTILEVER

H-FRAME

CUSTOM  
SOLUTIONS

FASTENERS

## FRET5T FIRE RATED ET5 CABLE TRAY ON TRAPEZE

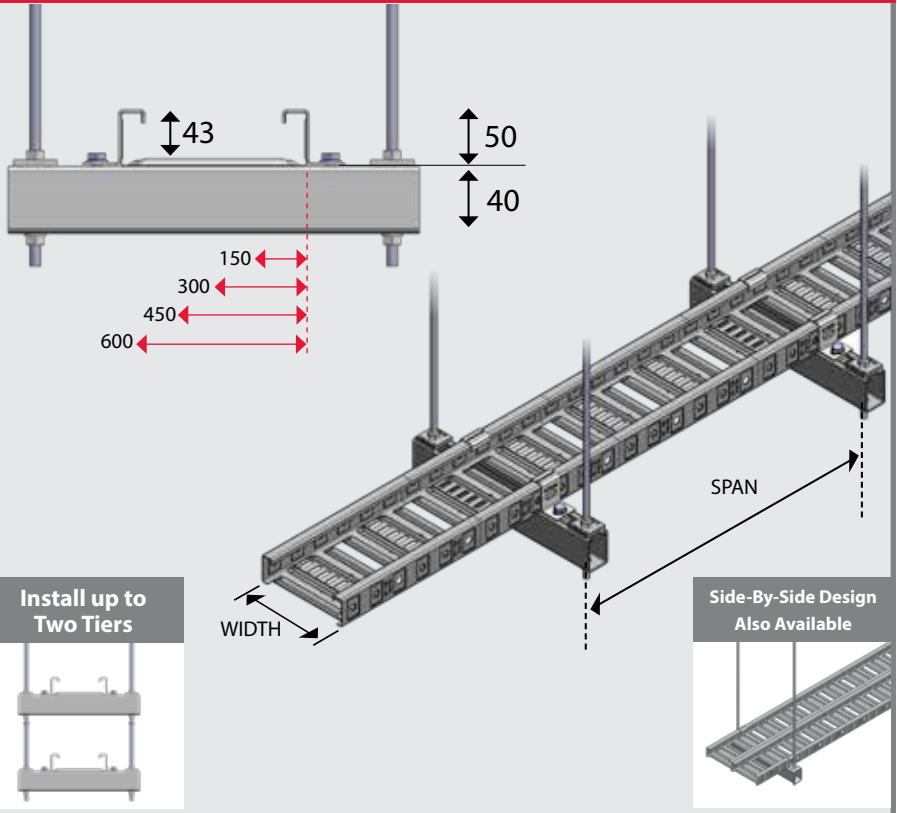


Load (kg/m)	Support Span (m)	Width Options	Length Options	Side-By-Side Options
12.5	1.5	150mm 300mm	3m	Available in side-by-side with M12 rod (total 25kg/m)
20	1	150mm 300mm	3m	Available in side-by-side with M12 rod (total 40kg/m)

EzyStrut will supply a tailored kit solution based on your selection from the load, width, length and tier options listed in the table above, as well as the overall length required.

**To ensure AS/NZS3013:2005 compliance, all tray must be installed with the included splice plates, hold downs, trapeze brackets and fasteners, according to the recommended support span.**

## FRET3T FIRE RATED ET3 CABLE TRAY ON TRAPEZE



Install up to Two Tiers

Side-By-Side Design Also Available

Load (kg/m)	Support Span (m)	Width Options	Length Options	Multi-Tier Options	Side-By-Side Options
12.5	1.5	150mm 300mm	3m	One tier only use M10 rod	Available in side-by-side (total 25kg/m)
20	1	150mm 300mm	3m	One tier only use M10 rod	not available
50	0.5	150mm 300mm 450mm 600mm	3m	Up to <b>two</b> tiers, use M12 GR8.8 rod Up to <b>one</b> tier, use M10 GR8.8 rod	not available

EzyStrut will supply a tailored kit solution based on your selection from the load, width, length and tier options listed in the table above, as well as the overall length required.

**To ensure AS/NZS3013:2005 compliance, all tray must be installed with the included splice plates, hold downs, trapeze brackets and fasteners, according to the recommended support span.**

TECHNICAL INFORMATION

TRAPEZE

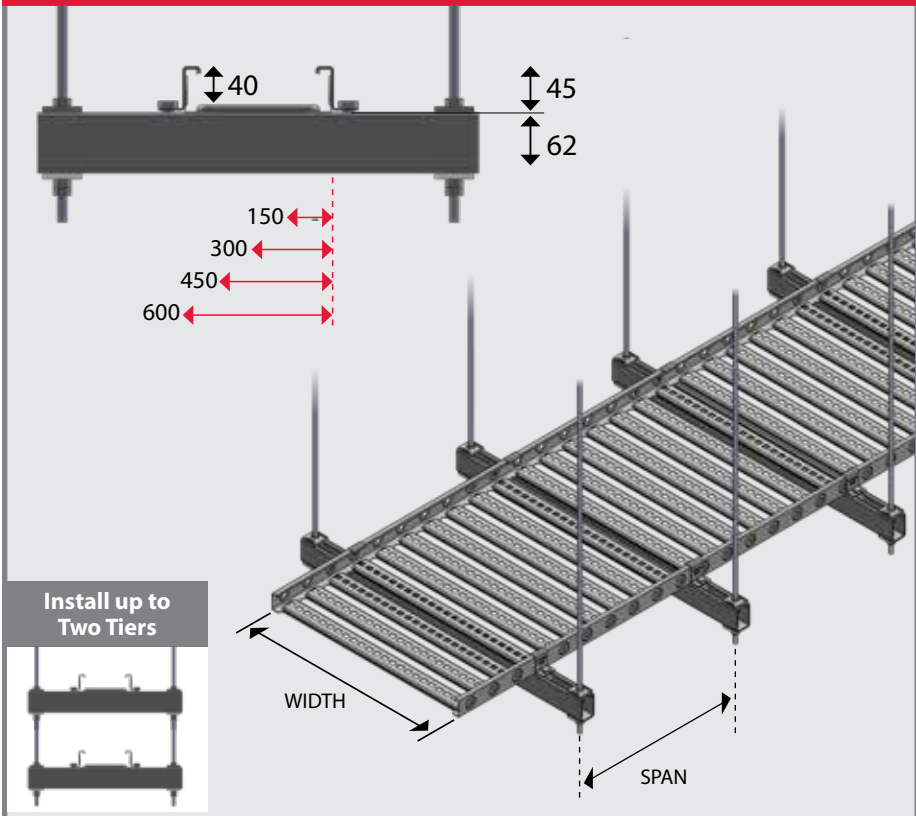
CANTILEVER

H-FRAME

CUSTOM SOLUTIONS

FASTENERS

## FRETT FIRE RATED ET CABLE TRAY ON TRAPEZE



Load (kg/m)	Support Span (m)	Width Options	Length Options	Multi-Tier Options
50	0.5	150mm 300mm 450mm 600mm	3m	<p>One tier only use M10 GR8.8 rod</p> <p>Up to <b>two</b> tiers, use M12 GR8.8 rod</p>

EzyStrut will supply a tailored kit solution based on your selection from the load, width, length and tier options listed in the table above, as well as the overall length required.

**To ensure AS/NZS3013:2005 compliance, all tray must be installed with the included splice plates, hold downs, trapeze brackets and fasteners, according to the recommended support span.**

TECHNICAL INFORMATION

TRAPEZE

CANTILEVER

H-FRAME

CUSTOM SOLUTIONS

FASTENERS

## CABLE LADDER TRAPEZE SYSTEMS

AS/NZS3013:2005 fire rated cable ladders are suitable for installation in internal or external conditions, and supplied complete with trapeze assemblies to enable suspended, horizontal installation. Alternatively, some ladders can be installed in vertical or on-edge orientation (please contact EzyStrut for further information).

WS5X classification to standard AS/NZS3013:2005 Appendix C.

<b>Standard Length</b>	3m or 6m
<b>Cablings Widths</b>	150mm - 900mm
<b>Cablings Depths</b>	45mm, 83mm or 101mm
<b>Load Capabilities</b>	4kg/m to 100kg/m
<b>Installation</b>	Horizontal, on trapeze Vertical, or On-Edge (contact EzyStrut)
<b>Available Finishes</b>	Hot Dip Galvanised [H]
<b>Painting / Powder Coating Available?</b>	Yes

The EzyStrut range of fire rated cable ladder offers support of high volumes of heavyweight cables over long distances. Ladder offers a quickly installed, but strong and long-term solution.

EzyStrut was the first company to offer an AS/NZ3013:2005 fire rated cable ladder. Since that time, the range has grown and developed to maintain our position at the cutting edge of fire rated cable supports. Today, we have the strongest and most efficiently designed ladders that provide maximum value to project managers and owners alike.

All ladders are manufactured with precision, using our latest robotic fabrication equipment.

All fire rated cable ladders are supplied complete with accessories necessary for installation that will comply with AS/NZ3013:2005 (anchors and threaded rod are purchased separately).



TECHNICAL  
INFORMATION

TRAPEZE

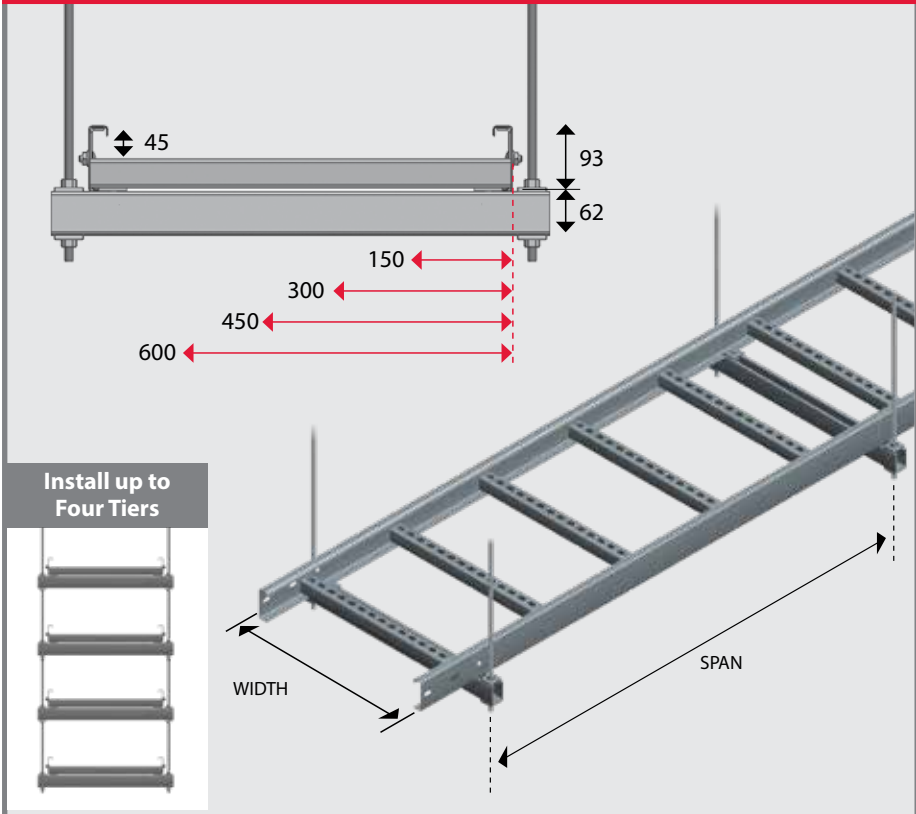
CANTILEVER

H-FRAME

CUSTOM  
SOLUTIONS

FASTENERS

## FRN2T FIRE RATED NEMA 2 CABLE LADDER ON TRAPEZE



Load (kg/m)	Support Span (m)	Width Options	Length Options	Multi-Tier Options
4	3	150mm	3m 6m	One tier only, use M10 HDG rod
8	2.5	300mm		Up to <b>two</b> tiers, use M12 SS rod
20	2	450mm		Up to <b>four</b> tiers, use M16 SS rod
50	1.5	600mm		
50	1.5	as above	as above	Up to <b>two</b> tiers, use M12 8.8 rod

EzyStrut will supply a tailored kit solution based on your selection from the load, width, length and tier options listed in the table above, as well as the overall length required.

**To ensure AS/NZS3013:2005 compliance, all ladder must be installed with the included splice plates, hold downs, trapeze brackets and fasteners, according to the recommended support span.**

TECHNICAL INFORMATION

TRAPEZE

CANTILEVER

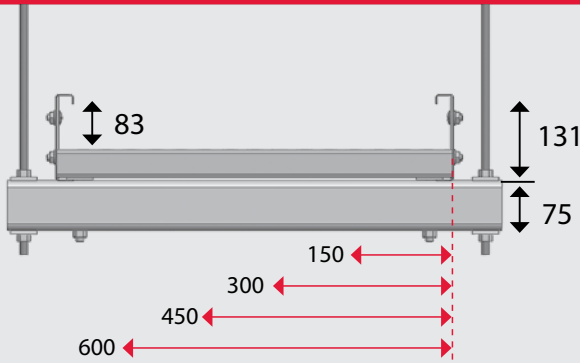
H-FRAME

CUSTOM SOLUTIONS

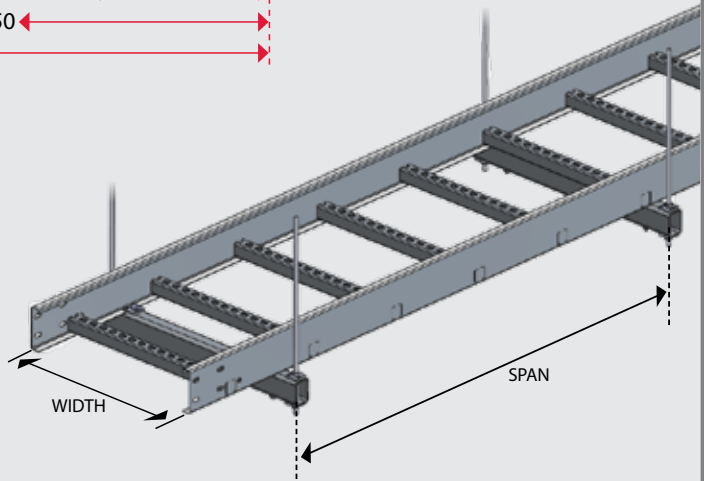
FASTENERS



## FRN3T FIRE RATED NEMA 3 CABLE LADDER ON TRAPEZE



Install up to Five Tiers



Load (kg/m)	Support Span (m)	Width Options	Length Options	Multi-Tier Options
5	3	150mm 300mm 450mm 600mm	3m 6m	One tier only, use M12 HDG rod
10	2.5			Up to <b>three</b> tiers, use M12 SS rod
26	2			Up to <b>five</b> tiers, use M16 SS rod
30	1.9			
60	1.5			
57	1.5	as above	as above	Up to <b>two</b> tiers, use M12 8.8 rod

EzyStrut will supply a tailored kit solution based on your selection from the load, width, length and tier options listed in the table above, as well as the overall length required.

**To ensure AS/NZS3013:2005 compliance, all ladder must be installed with the included splice plates, hold downs, trapeze brackets and fasteners, according to the recommended support span.**

TECHNICAL INFORMATION

TRAPEZE

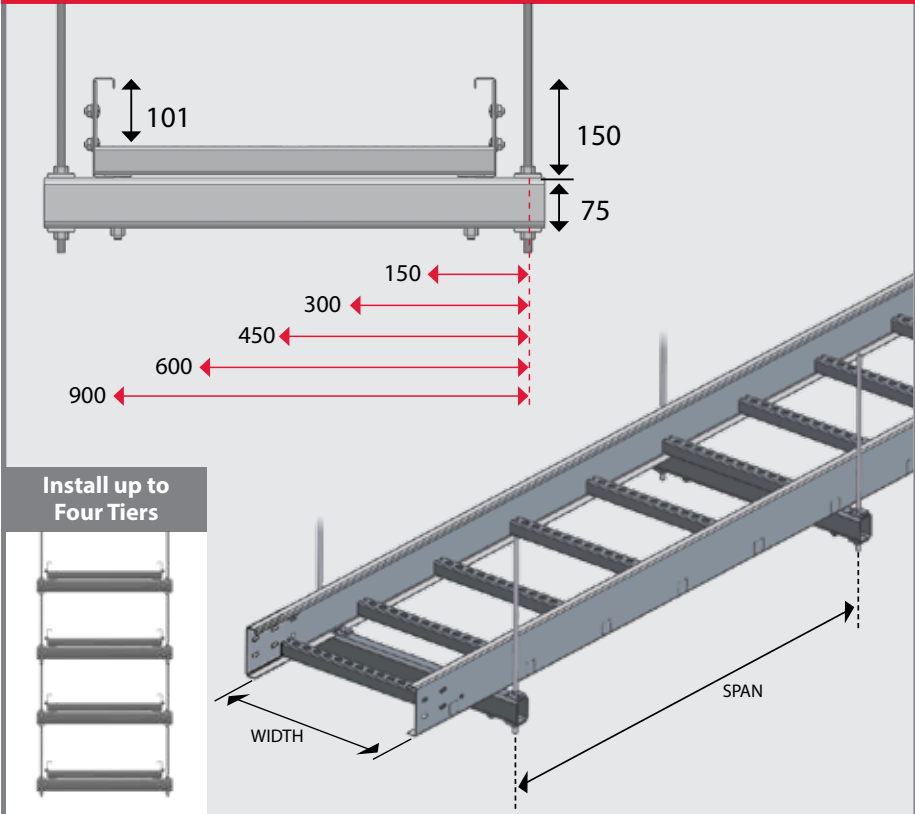
CANTILEVER

H-FRAME

CUSTOM SOLUTIONS

FASTENERS

## FRN20CT FIRE RATED NEMA 20C CABLE LADDER ON TRAPEZE



Load (kg/m)	Support Span (m)	Width Options	Length Options	Multi-Tier Options
5	3	150mm 300mm 450mm 600mm	3m 6m	One tier only, use M12 HDG rod
10	2.5			Up to <b>two</b> tiers, use M12 SS rod
25	2			Up to <b>four</b> tiers, use M16 SS rod
70	1.5			
100	1	600mm		
100	1	900mm	3m	Up to <b>two</b> tiers, use M12 SS rod

EzyStrut will supply a tailored kit solution based on your selection from the load, width, length and tier options listed in the table above, as well as the overall length required.

**To ensure AS/NZS3013:2005 compliance, all ladder must be installed with the included splice plates, hold downs, trapeze brackets and fasteners, according to the recommended support span.**

## CABLE TRAY CANTILEVER SYSTEMS

AS/NZS3013:2005 fire rated cable trays are suitable for installation in internal or external conditions, and supplied complete with cantilever assemblies to enable wall-mounted, horizontal installation.

WS5X classification to standard AS/NZS3013:2005 Appendix C.

<b>Standard Length</b>	3m
<b>Cabling Widths</b>	150mm - 600mm
<b>Cabling Depths</b>	43mm
<b>Load Capabilities</b>	10kg/m to 25kg/m
<b>Installation</b>	Horizontal, wall-mounted, on cantilever
<b>Available Finishes</b>	Pre-Galvanised [G] Hot Dip Galvanised [H]
<b>Painting / Powder Coating Available?</b>	Yes

The EzyStrut range of fire rated cable trays offer continuous support for your cables along their entire lengths.

They are formed with precision and engineered to maximise the strength capability of the steel. They are fabricated from pre-galvanised steel, for a long corrosion resistant life, with a clean looking, high quality surface, great for inside installation. Alternatively, all components can be hot dip galvanised after fabrication for greater corrosion protection. Powder coating is also available as an option to meet any aesthetic colour requirements.

All fire rated cable trays are supplied as cantilever kits with accessories necessary for installation to ensure compliance with AS/NZS3013:2005 (anchors are purchased separately).



TECHNICAL  
INFORMATION

TRAPEZE

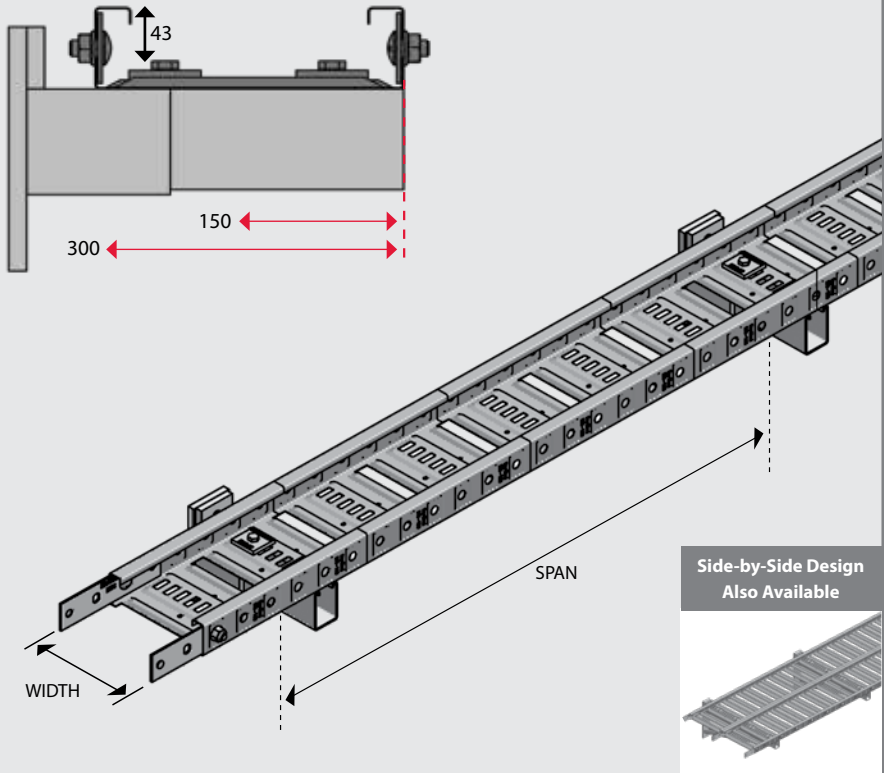
CANTILEVER

H-FRAME

CUSTOM  
SOLUTIONS

FASTENERS

## FRET3CB FIRE RATED ET3 CABLE TRAY ON CANTILEVER



Load (kg/m)	Support Span (m)	Width Options	Length Options	Cantilever Design
10	1	150mm 300mm	3m	Uses <b>FRCB</b> Cantilever Design
20	0.85			
25 <small>(two 12.5kg/m trays)</small>	1.5	150mm + 150mm 150mm + 300mm 300mm + 300mm		

EzyStrut will supply a tailored kit solution based on your selection from the load, width, length and tier options listed in the table above, as well as the overall length required.

**To ensure AS/NZS3013:2005 compliance, all tray must be installed with the included splice plates, hold downs, cantilever brackets and fasteners, according to the recommended support span.**

TECHNICAL  
INFORMATION

TRAPEZE

CANTILEVER

H-FRAME

CUSTOM  
SOLUTIONS

FASTENERS

## CABLE LADDER CANTILEVER SYSTEMS

AS/NZS3013:2005 fire rated cable ladders are suitable for installation in internal or external conditions, and supplied complete with cantilever assemblies to enable wall-mounted, horizontal installation. Alternatively, some ladders can be installed in vertical or on-edge orientation (please contact EzyStrut for further information).

WS5X classification to standard AS/NZS3013:2005 Appendix C.

<b>Standard Length</b>	3m or 6m
<b>Cabling Widths</b>	150mm - 900mm
<b>Cabling Depths</b>	65mm, 83mm or 101mm
<b>Load Capabilities</b>	4kg/m to 100kg/m
<b>Installation</b>	Horizontal, wall-mounted on cantilever, Vertical, or On-Edge (contact EzyStrut)
<b>Available Finishes</b>	Hot Dip Galvanised [H]
<b>Painting / Powder Coating Available?</b>	Yes

The EzyStrut range of fire rated cable ladder offers support of high volumes of heavyweight cables over long distances. Ladder offers a quickly installed, but strong and long-term solution.

EzyStrut was the first company to offer an AS/NZ3013:2005 fire rated cable ladder. Since that time, the range has grown and developed to maintain our position at the cutting edge of fire rated cable supports. Today, we have the strongest and most efficiently designed ladders that provide maximum value to project managers and owners alike.

All ladders are manufactured with precision, using our latest robotic fabrication equipment.

All fire rated cable ladders are supplied complete with accessories necessary for installation that will comply with AS/NZ3013:2005 (anchors are purchased separately).



TECHNICAL  
INFORMATION

TRAPEZE

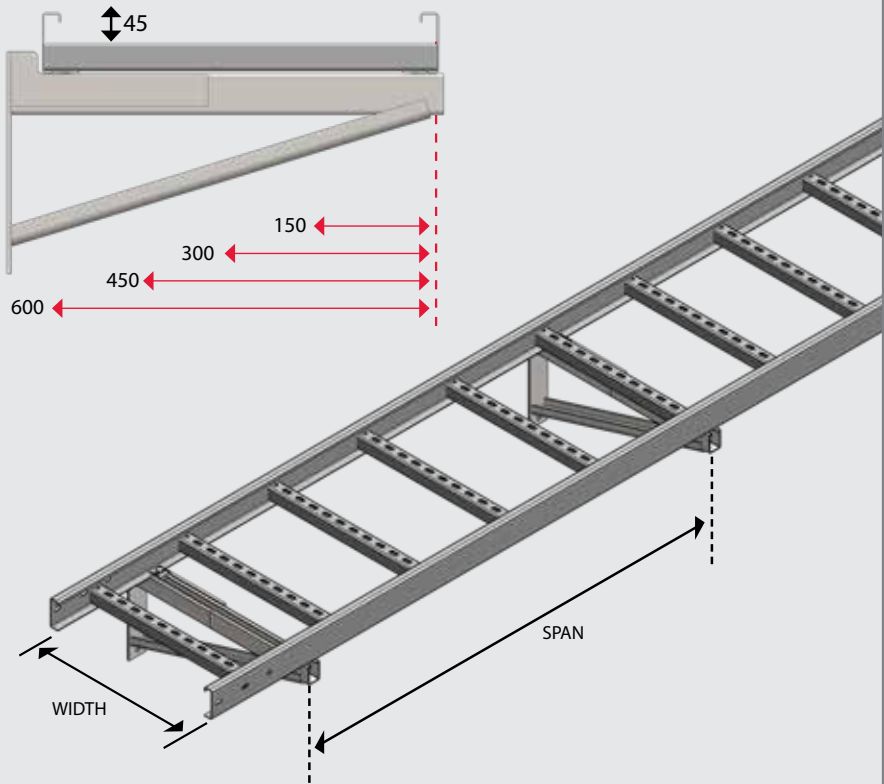
CANTILEVER

H-FRAME

CUSTOM  
SOLUTIONS

FASTENERS

## FRN2CB FIRE RATED NEMA 2 CABLE LADDER ON CANTILEVER



Load (kg/m)	Support Span (m)	Width Options	Length Options	Notes
4	3	150mm 300mm 450mm 600mm	3m 6m	All cantilever brackets are suitable for a 100kg centred point load
8	2.5			
20	2			
50	1.5			

EzyStrut will supply a tailored kit solution based on your selection from the load, width, length and tier options listed in the table above, as well as the overall length required.

**To ensure AS/NZS3013:2005 compliance, all ladder must be installed with the included splice plates, hold downs, cantilever brackets and fasteners, according to the recommended support span.**

TECHNICAL  
INFORMATION

TRAPEZE

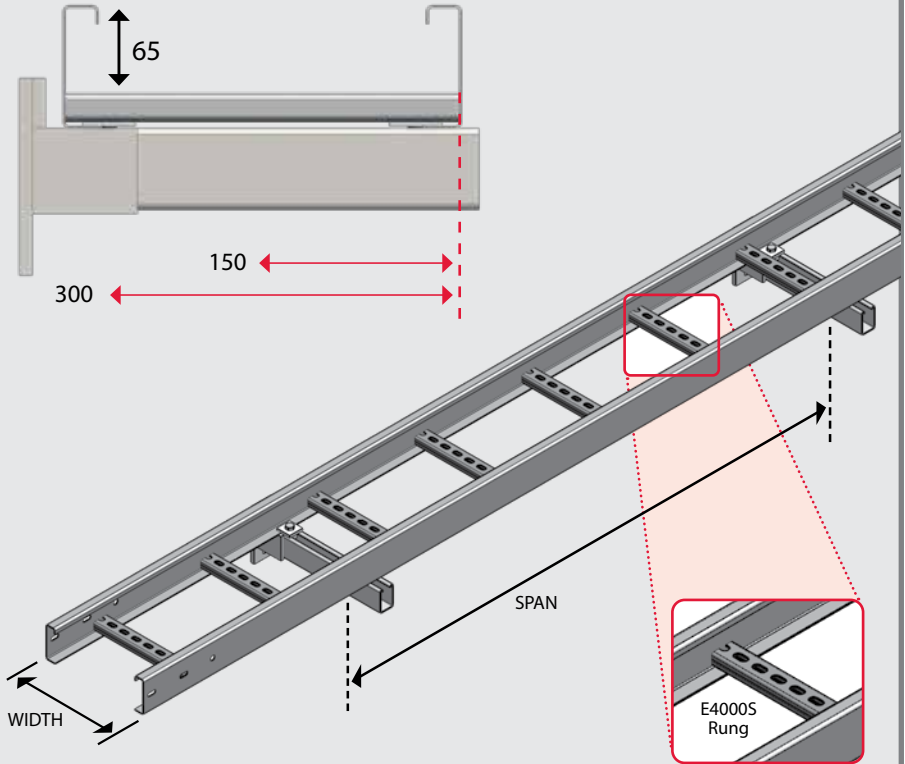
CANTILEVER

H-FRAME

CUSTOM  
SOLUTIONS

FASTENERS

## FRN2-E4-CB FIRE RATED NEMA 2 CABLE LADDER ON CANTILEVER



Load (kg/m)	Support Span (m)	Width Options	Length Options	Notes
15	1.25	150mm 300mm	3m 6m	All cantilever brackets are suitable for a 100kg centred point load
35	1			
35 <small>*alternative cantilever design (not pictured)</small>	1.5	as above	as above	

EzyStrut will supply a tailored kit solution based on your selection from the load, width, length and tier options listed in the table above, as well as the overall length required.

**To ensure AS/NZS3013:2005 compliance, all ladder must be installed with the included splice plates, hold downs, cantilever brackets and fasteners, according to the recommended support span.**

TECHNICAL INFORMATION

TRAPEZE

CANTILEVER

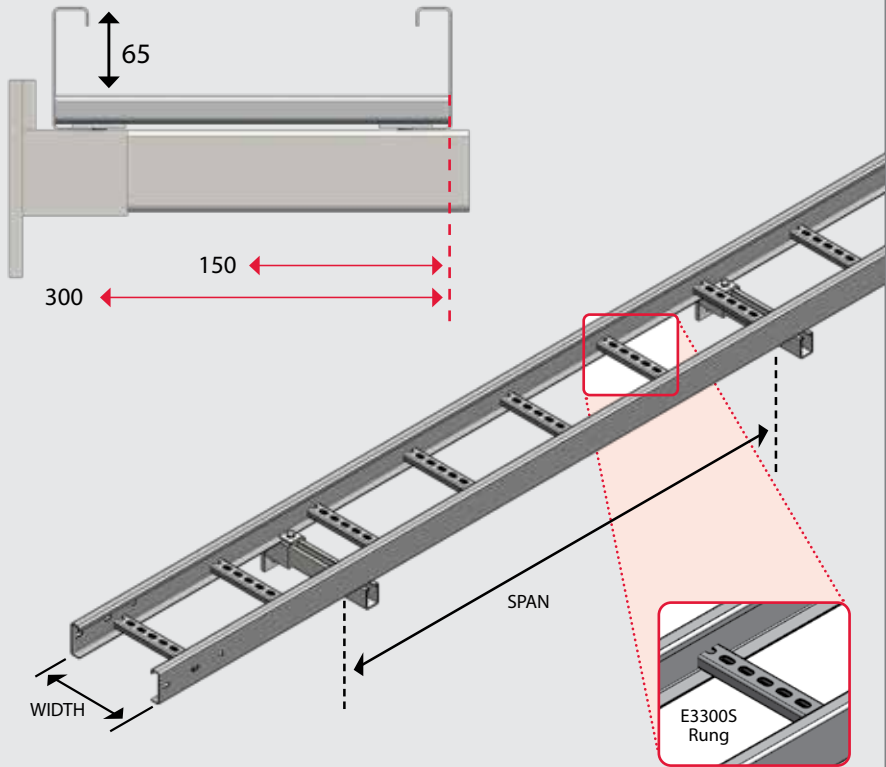
H-FRAME

CUSTOM SOLUTIONS

FASTENERS



## FRN2-E3-CB FIRE RATED NEMA 2 CABLE LADDER ON CANTILEVER



Load (kg/m)	Support Span (m)	Width Options	Length Options	Notes
50	1	150mm 300mm	3m 6m	All cantilever brackets are suitable for a 100kg centred point load

EzyStrut will supply a tailored kit solution based on your selection from the load, width, length and tier options listed in the table above, as well as the overall length required.

**To ensure AS/NZS3013:2005 compliance, all ladder must be installed with the included splice plates, hold downs, cantilever brackets and fasteners, according to the recommended support span.**

TECHNICAL INFORMATION

TRAPEZE

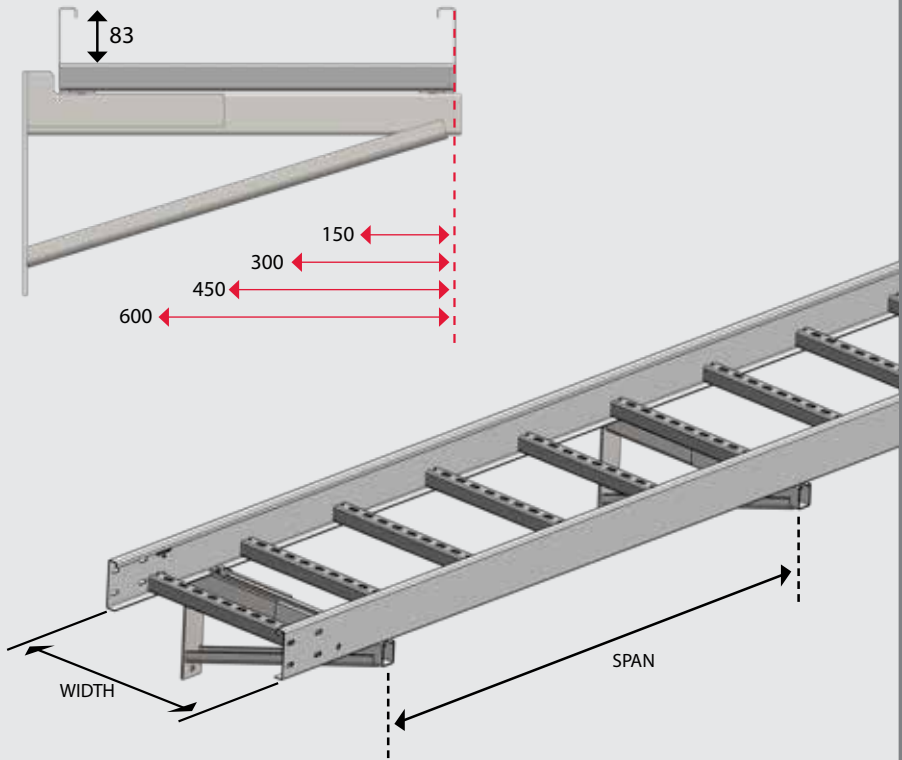
CANTILEVER

H-FRAME

CUSTOM SOLUTIONS

FASTENERS

## FRN3CB FIRE RATED NEMA 3 CABLE LADDER ON CANTILEVER



Load (kg/m)	Support Span (m)	Width Options	Length Options	Notes
5	3	150mm 300mm 450mm 600mm	3m 6m	All cantilever brackets are suitable for a 100kg centred point load
10	2.5			
26	2			
30	1.9			
60	1.5			

EzyStrut will supply a tailored kit solution based on your selection from the load, width, length and tier options listed in the table above, as well as the overall length required.

**To ensure AS/NZS3013:2005 compliance, all ladder must be installed with the included splice plates, hold downs, cantilever brackets and fasteners, according to the recommended support span.**

TECHNICAL INFORMATION

TRAPEZE

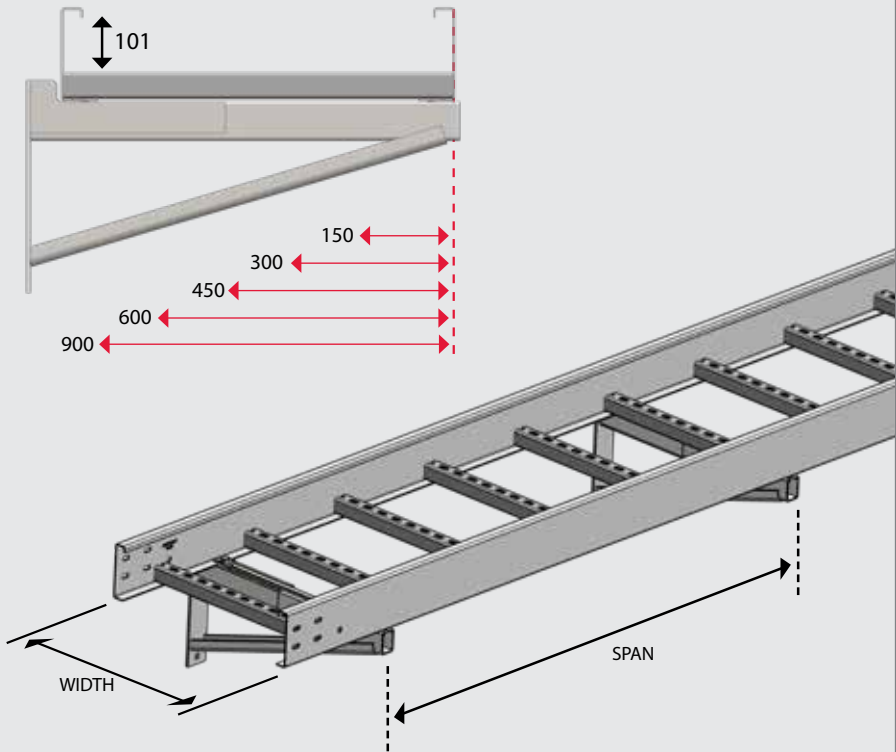
CANTILEVER

H-FRAME

CUSTOM SOLUTIONS

FASTENERS

## FRN20CCB FIRE RATED NEMA 20C CABLE LADDER ON CANTILEVER



Load (kg/m)	Support Span (m)	Width Options	Length Options	Notes
5	3	150mm	3m 6m	All cantilever brackets are suitable for a 100kg centred point load
10	2.5	300mm		
25	2	450mm		
80	1.5	600mm		
100	1	900mm	3m	
75	1	900mm		
100	0.9	900mm		

EzyStrut will supply a tailored kit solution based on your selection from the load, width, length and tier options listed in the table above, as well as the overall length required.

**To ensure AS/NZS3013:2005 compliance, all ladder must be installed with the included splice plates, hold downs, cantilever brackets and fasteners, according to the recommended support span.**

TECHNICAL INFORMATION

TRAPEZE

CANTILEVER

H-FRAME

CUSTOM SOLUTIONS

FASTENERS

## CABLE LADDER H-FRAME SYSTEMS

AS/NZS3013:2005 fire rated cable ladders are suitable for installation in internal or external conditions, and supplied complete with H-Frame assemblies to enable free-standing, tiered and horizontal installation. Alternatively, some ladders can be installed in vertical or on-edge orientation (please contact EzyStrut for further information).

WS5X classification to standard AS/NZS3013:2005 Appendix C.

<b>Standard Length</b>	3m or 6m
<b>Cabling Widths</b>	150mm - 600mm
<b>Cabling Depths</b>	45mm, 83mm or 101mm
<b>Load Capabilities</b>	4kg/m to 100kg/m
<b>Installation</b>	Horizontal, free-standing on H-Frame Vertical, or On-Edge (contact EzyStrut)
<b>Available Finishes</b>	Hot Dip Galvanised [H]
<b>Painting / Powder Coating Available?</b>	Yes

The EzyStrut range of fire rated cable ladder offers support of high volumes of heavyweight cables over long distances. Ladder offers a quickly installed, but strong and long-term solution.

EzyStrut was the first company to offer an AS/NZ3013:2005 fire rated cable ladder. Since that time, the range has grown and developed to maintain our position at the cutting edge of fire rated cable supports. Today, we have the strongest and most efficiently installed ladders that provide maximum value to project managers and owners alike.

All ladders are manufactured with precision, using our latest robotic fabrication equipment.

All fire rated cable ladders are supplied complete with accessories necessary for installation that will comply with AS/NZ3013:2005 (anchors are purchased separately).



TECHNICAL  
INFORMATION

TRAPEZE

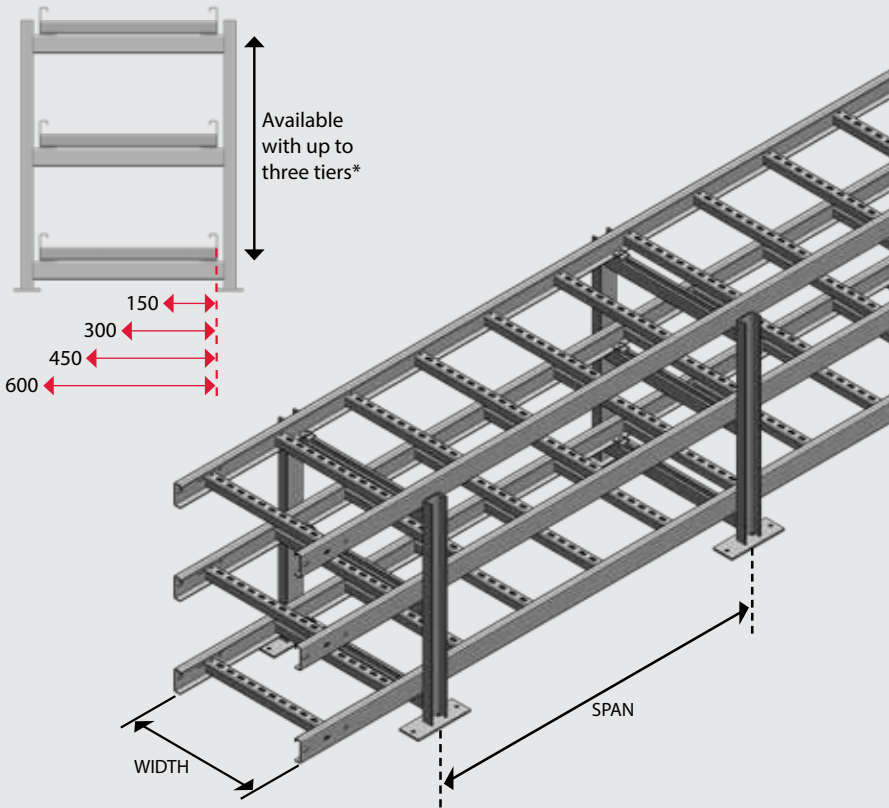
CANTILEVER

H-FRAME

CUSTOM  
SOLUTIONS

FASTENERS

## FRN2H FIRE RATED NEMA 2 CABLE LADDER ON H-FRAME



Load (kg/m)	Support Span (m)	Width Options	Length Options	Multi-Tier Options
4	3	150mm 300mm 450mm 600mm	3m 6m	Available for up to three tier installation*  * for standard H-Frames. Please contact EzyStrut for increased tier options.
8	2.5			
20	2			
50	1.5			

EzyStrut will supply a tailored kit solution based on your selection from the load, width, length and tier options listed in the table above, as well as the overall length required.

**To ensure AS/NZS3013:2005 compliance, all ladder must be installed with the included splice plates, hold downs, H-Frames and fasteners, according to the recommended support span.**

TECHNICAL  
INFORMATION

TRAPEZE

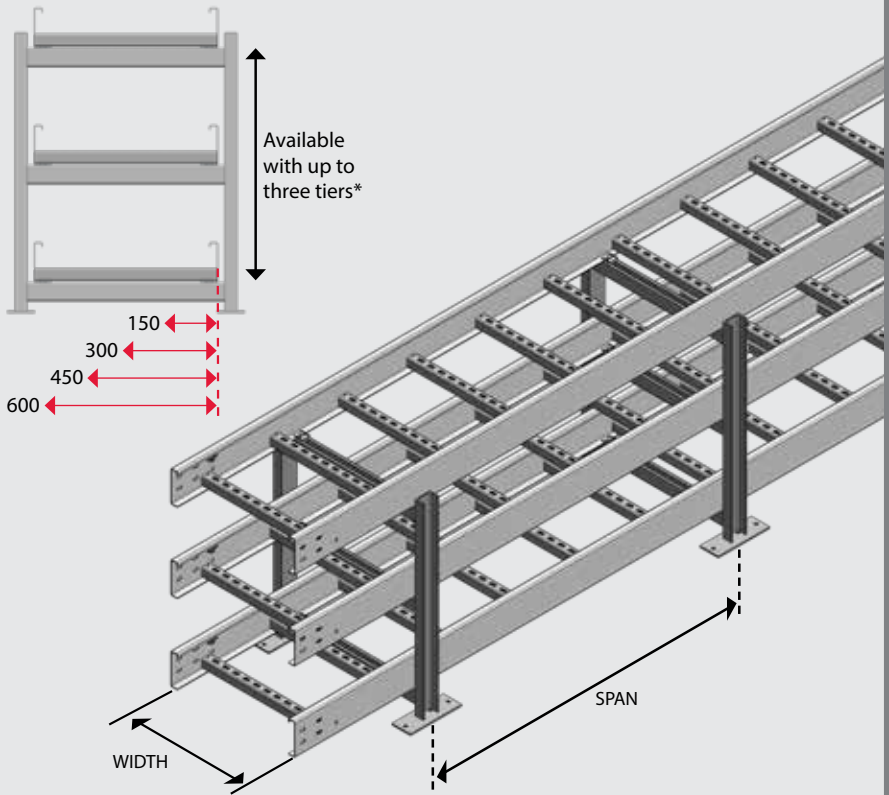
CANTILEVER

H-FRAME

CUSTOM  
SOLUTIONS

FASTENERS

## FRN3H FIRE RATED NEMA 3 CABLE LADDER ON H-FRAME



Load (kg/m)	Support Span (m)	Width Options	Length Options	Multi-Tier Options
5	3	150mm 300mm 450mm 600mm	3m 6m	Available for up to three tier installation*  * for standard H-Frames. Please contact EzyStrut for increased tier options.
10	2.5			
26	2			
30	1.9			
60	1.5			

EzyStrut will supply a tailored kit solution based on your selection from the load, width, length and tier options listed in the table above, as well as the overall length required.

**To ensure AS/NZS3013:2005 compliance, all ladder must be installed with the included splice plates, hold downs, H-Frames and fasteners, according to the recommended support span.**

TECHNICAL INFORMATION

TRAPEZE

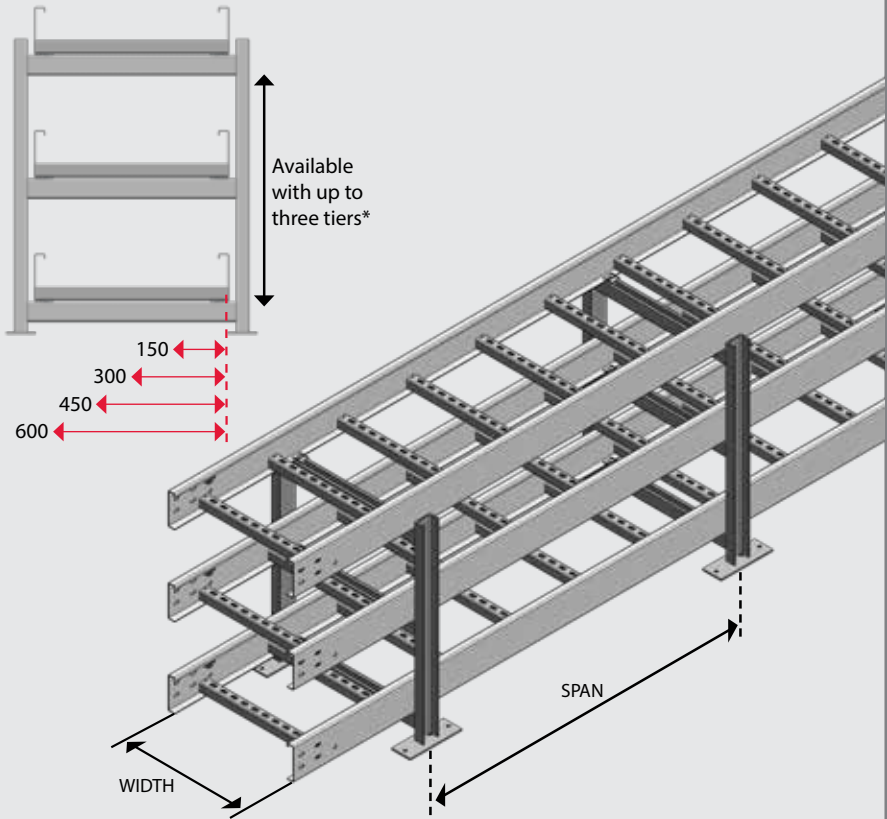
CANTILEVER

H-FRAME

CUSTOM SOLUTIONS

FASTENERS

## FRN20CH FIRE RATED NEMA 20C CABLE LADDER ON H-FRAME



Load (kg/m)	Support Span (m)	Width Options	Length Options	Multi-Tier Options
5	3	150mm 300mm 450mm 600mm	3m 6m	Available for up to three tier installation*  * for standard H-Frames. Please contact EzyStrut for increased tier options.
10	2.5			
25	2			
80	1.5			
100	1			

EzyStrut will supply a tailored kit solution based on your selection from the load, width, length and tier options listed in the table above, as well as the overall length required.

**To ensure AS/NZS3013:2005 compliance, all ladder must be installed with the included splice plates, hold downs, H-Frames and fasteners, according to the recommended support span.**

TECHNICAL INFORMATION

TRAPEZE

CANTILEVER

H-FRAME

CUSTOM SOLUTIONS

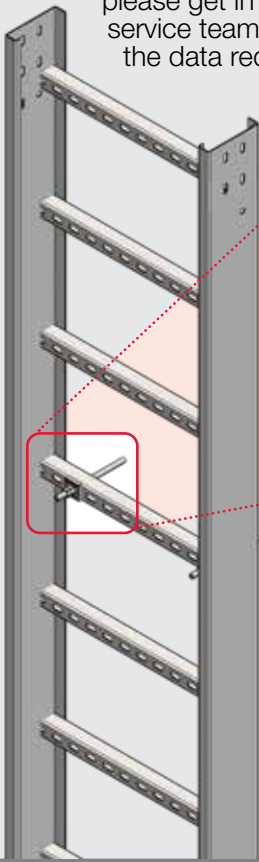
FASTENERS



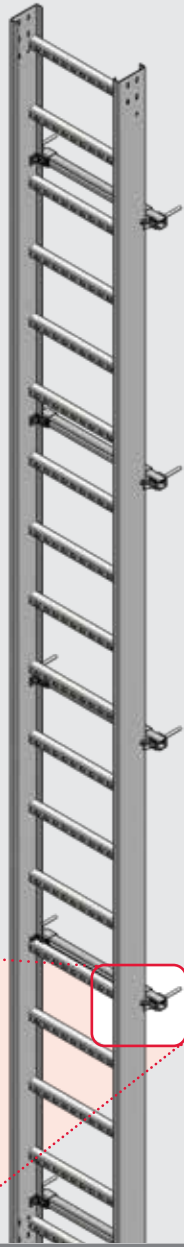
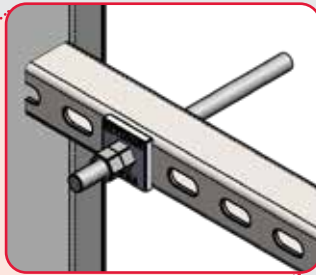
## WALL MOUNTED VERTICAL DESIGN EXAMPLES

Whilst **AS/NZS3013:2005** does not provide a test methodology for vertically oriented cable supports, EzyStrut has designed and sought approval for a number of products installed on a vertical plane. These solutions require adaptation to the ladder product itself, or the installation of additional accessories, such as specially designed brackets, wall mounts and fasteners.

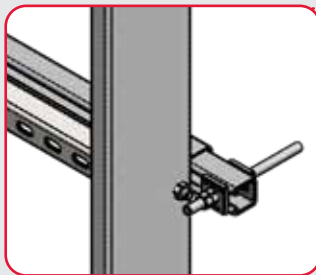
Plans for all vertically oriented installations will need to be reviewed by EzyStrut's engineering team, who will suggest a solution from our growing library of tested designs. To commence this process, please get in touch with our customer service team in your nearest capital city, with the data requirements listed on page 9.



Design Example: Ladder affixed via rung and specialist wall fasteners



Design Example: Ladder affixed via custom made channel supports



TECHNICAL  
INFORMATION

TRAPEZE

CANTILEVER

H-FRAME

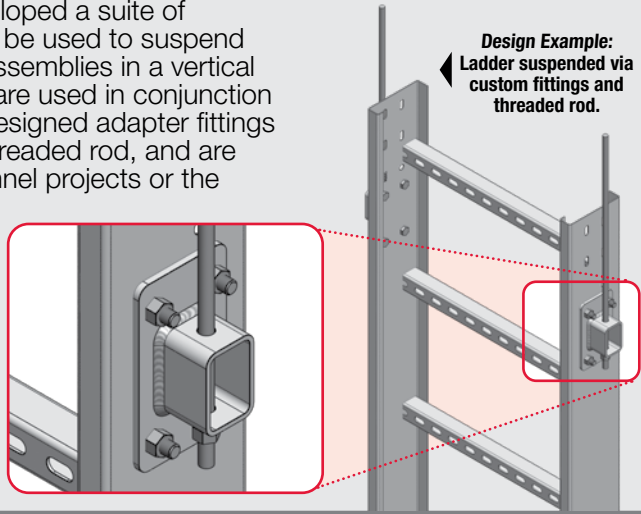
CUSTOM  
SOLUTIONS

FASTENERS

## SUSPENDED VERTICAL DESIGN EXAMPLE

EzyStrut has developed a suite of products that can be used to suspend fire rated ladder assemblies in a vertical orientation. Most are used in conjunction with intelligently designed adapter fittings and heavy duty threaded rod, and are ideal for use in tunnel projects or the superstructure of high rise builds.

Contact the sales team for more data on integrating these systems in your project.



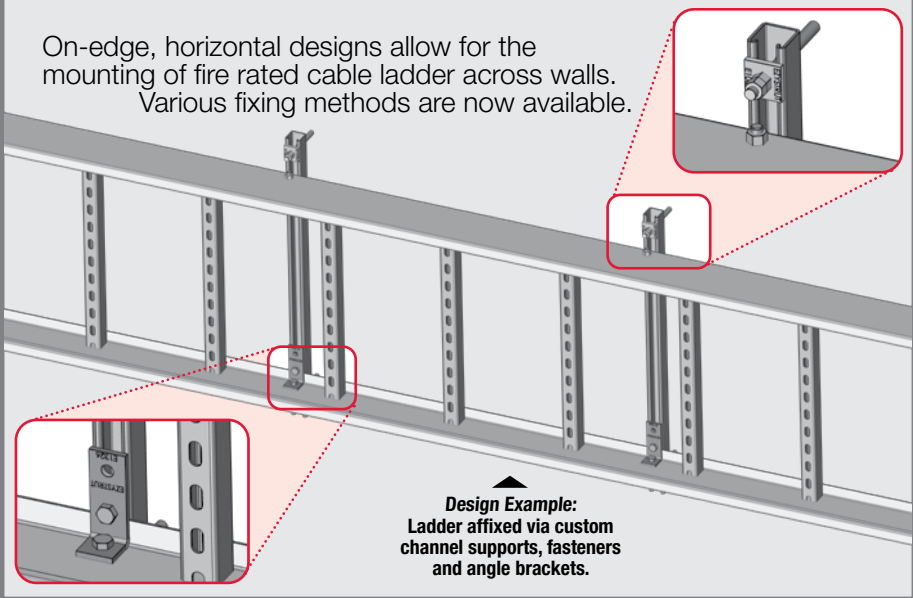
TECHNICAL INFORMATION

TRAPEZE

CANTILEVER

## ON-EDGE HORIZONTAL DESIGN EXAMPLE

On-edge, horizontal designs allow for the mounting of fire rated cable ladder across walls. Various fixing methods are now available.



H-FRAME

CUSTOM SOLUTIONS

FASTENERS

## RISER PENETRATION DESIGN EXAMPLE

In circumstances where a fire rated cable ladder product will need to penetrate a floor or ceiling, EzyStrut can assist with designing a system for supporting that ladder near the point at which it passes through the substrate.

Designs can be tailored to your installation and will typically feature a combination of custom brackets and suitable fastener products.

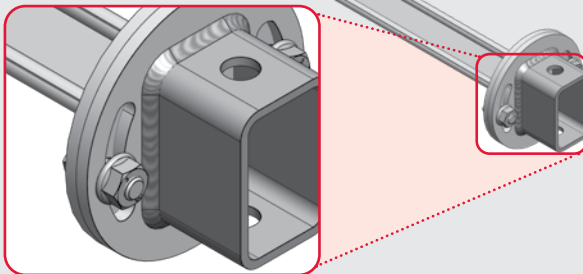


**Design Example:**  
Ladder affixed via custom made RHS brackets and suitable fire rated fasteners.

## NEW ROTATING TRAPEZE BRACKET

The brand new EzyStrut Rotating Trapeze Bracket is designed to support cable ladder when it must be installed on an incline. Innovative end caps and easy to manipulate fasteners are used to swivel the ends through a series of settings, allowing for the rotation of the trapeze section as is demanded by the installation.

Multiple settings allow for rotational adjustment.



For further information on how the rotating trapeze bracket works and how it may be incorporated into your run of fire rated cable ladder, please get in touch with EzyStrut.

## Introducing the NEW INTERNAL THREAD SWIVEL BRACKET

The Internal Thread Swivel Bracket is the most versatile threaded rod coupler on the market. Available in kit form with hot-dip galvanised or stainless configurations, and complete with an optional nylon separator, the bracket is perfect for use with dissimilar metals. The swivel design allows for installation almost anywhere. It doesn't matter if the overhead substrate isn't level, the Internal Thread Swivel Bracket will get the job done!

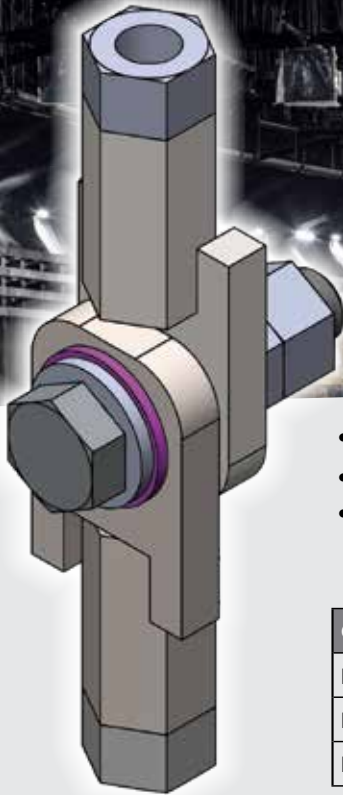


Image: WestConnex New M5 Project (LinkedIn)

- Suitable for M12 Threaded Rod
- Swivels up to 45 degrees
- Available in Stainless Steel or Hot Dip Galvanised configurations
- Optional nylon separator to prevent reaction between dissimilar metals
- Load rated to match grade 4.6 threaded rod
- Fire Rated to AS/NSZS3013:2005

Code	Description
<b>ITS12KH-S</b>	Internal Thread Swivel Bracket Kit M12 HDG to SS GR316
<b>ITS12KH</b>	Internal Thread Swivel Bracket Kit M12 HDG
<b>ITS12KS</b>	Internal Thread Swivel Bracket Kit M12 SS GR316

**Note:** installing the internal thread swivel bracket at an angle may require further adaptation to the hold down brackets used with your cable tray or ladder. Please contact EzyStrut for more details.

## FIRE RATED FIXINGS

EzyStrut is committed to ensuring that we provide the best economical solution for your project and offer a wide range of fixings to suit your installation.

Although our fire rated tray and ladder are WS5X certified to AS/NZS3013:2005, our fixing options are compliant with European Technical Approval (ETA).

Technical specifications and approvals are available on request from our fixing manufacturers.

### DROP-IN ANCHOR

Fire Rated



Box Qty: 100

Size	Zinc (Clear)	Stainless Steel (316)
M6	EDIMSZ73M06025	-
M8	EDIMSZ76M08030	DXTMS08SS
M10	EDIMSZ76M10040	DXTMS10SS
M12	EDIMSZ76M12050	DXTMS12SS

### ETA LIPPED-PRO DROP-IN ANCHOR

Fire Rated



Box Qty: 100

Zinc (Clear)

Size	Part Number
M10x40	MDLMSYCM10040
M12x50	MDLMSYCM12050

### LIPPED DROP-IN ANCHOR BUCKET

Description	Part Number
10x40mm (400pcs)	DLXTM1040BK
12x50mm (300pcs)	DLXTM1250BK

### MANUAL SETTING TOOL (Installation tool)

Size	Part Number
M6	EDTMSZM06
M8	EDTMSZM08
M10	EDTMSZM10
M12	EDTMSZM12

Box Qty: 1

### SNAKE-PRO™

Fire Rated



Powers' Snake-Pro is an internally threaded self-tapping anchor.

Box Qty: 50

Size	Part Number
M10	SM10PRO-PWR

### SDS PLUS DRILL BIT (Installation tool)



Box Qty: 1

Size	Part Number
12.7	SB12.7x50-PWR

### SETTING TOOL (Installation tool)



Box Qty: 1

Size	Part Number
M10	SSTM10-PWR

### SNAKE-PRO™ BULK BUCKET

Includes 500pcs, 2 x drill bits and 1 x setting tool.

Size	Part Number
M10	SM10KIT-PWR

### THREADED ROD HANGER (Concrete Screw Adaptor)

Fire Rated



Box Qty: 50

Zinc

Size = Internal Thread

Size	Description	Part Number
M8-10	6 x 35mm	MUMMCSI05540603
	6 x 55mm	MUMMCSI05540605

## SCREW BOLT (ETA1)

Fire Rated



**Stainless Steel (316)**

**Size = thread size x length (mm)**

Size	Part Number
M10x75	<b>SXTB1075</b>
M10x100	<b>SXTB10100</b>
M10x120	<b>SXTB10120</b>
M10x140	<b>SXTB10140</b>
M10x200	<b>SXTB10200</b>
M12x80	<b>SXTB1280</b>
M12x100	<b>SXTB12100</b>
M12x150	<b>SXTB12150</b>
M12x200	<b>SXTB12200</b>

## THREADED ROD



**Supplied in 3m lengths**

Size	Zinc Plated	Hot Dip Galvanised	Stainless Steel
M10	<b>TR10Z</b>	<b>TR10H</b>	<b>TR10S</b>
M12	<b>TR12Z</b>	<b>TR12H</b>	<b>TR12S</b>
M16	<b>TR16Z</b>	<b>TR16H</b>	<b>TR16S</b>

\*to order 8.8 grade rod, add "8.8" to part number (e.g. TR12Z8.8)

## THREADED ROD COUPLERS



**Box Qty: 50-100**  
varies depending on size.

Size	Zinc Plated	Hot Dip Galvanised	Stainless Steel
M10	<b>RC10Z</b>	<b>RC10H</b>	<b>RC10S</b>
M12	<b>RC12Z</b>	<b>RC12H</b>	<b>RC12S</b>
M16	<b>RC16Z</b>	<b>RC16H</b>	<b>RC16S</b>

## HEAVY DUTY THROUGH ANCHOR (ETA1)

Fire Rated



**Box Qty: 15-100** varies depending on size.

**Galvanised or Stainless Steel (316)**

**For use in cracked or uncracked concrete**

**Size = thread size x length (mm)**

Size	Galvanised	Stainless Steel
M8x68	<b>FM753C08068G</b>	<b>FM753C08068SS</b>
M8x75	<b>FM753C08075G</b>	<b>FM753C08075SS</b>
M8x90	<b>FM753C08090G</b>	<b>FM753C08090SS</b>
M8x115	<b>FM753C08115G</b>	<b>FM753C08115SS</b>
M8x135	<b>FM753C08135G</b>	<b>FM753C08135SS</b>
M8x165	<b>FM753C08165G</b>	<b>FM753C08165SS</b>
M10x90	<b>FM753C10090G</b>	<b>FM753C10090SS</b>
M10x105	<b>FM753C10105G</b>	<b>FM753C10105SS</b>
M10x115	<b>FM753C10115G</b>	<b>FM753C10115SS</b>
M10x135	<b>FM753C10135G</b>	<b>FM753C10135SS</b>
M10x155	<b>FM753C10155G</b>	<b>FM753C10155SS</b>
M10x185	<b>FM753C10185G</b>	<b>FM753C10185SS</b>
M12x110	<b>FM753C12110G</b>	<b>FM753C12110SS</b>
M12x120	<b>FM753C12120G</b>	<b>FM753C12120SS</b>
M12x145	<b>FM753C12145G</b>	<b>FM753C12145SS</b>
M12x170	<b>FM753C12170G</b>	<b>FM753C12170SS</b>
M12x200	<b>FM753C12200G</b>	<b>FM753C12200SS</b>
M16x130	<b>FM753C16130G</b>	<b>FM753C16130SS</b>
M16x150	<b>FM753C16150G</b>	<b>FM753C16150SS</b>
M16x185	<b>FM753C16185G</b>	<b>FM753C16185SS</b>
M16x220	<b>FM753C16220G</b>	<b>FM753C16220SS</b>

## HANGER MATE™

(Internal threaded Rod Hanger)

Fire Rated



**Box Qty: 100**

**Zinc Clear**



**Installation tools are also available**

Size	Description	Part Number
M8	6x40mm	<b>SXTB-IM06035</b>
M10	8x50mm	<b>SXTB-IM08050-M10</b>
M12	8x50mm	<b>HM8M1250-PWR</b>



**Fixings with this symbol are also a seismic solution compliant with European Technical Approval (ETA).**

# EzyStrut

[www.ezystrut.com.au](http://www.ezystrut.com.au)

## **South Australia (Head Office)**

580 Prospect Road  
Kilburn SA 5084

**Tel:** 08 8360 4550

**Email:** [sa.sales@ezystrut.com.au](mailto:sa.sales@ezystrut.com.au)

## **New South Wales**

1A, 430 Marion Street  
Bankstown Aerodrome NSW 2200

**Tel:** 02 8783 7555

**Email:** [nsw.sales@ezystrut.com.au](mailto:nsw.sales@ezystrut.com.au)

## **Western Australia**

12 Vale Street  
Malaga WA 6090

**Tel:** 08 9249 7966

**Email:** [wa.sales@ezystrut.com.au](mailto:wa.sales@ezystrut.com.au)

## **Victoria**

5/131 Calarco Drive  
Derrimut VIC 3026

**Tel:** 03 8368 7555

**Email:** [vic.sales@ezystrut.com.au](mailto:vic.sales@ezystrut.com.au)

## **Queensland**

25 Machinery Street  
Darra QLD 4076

**Tel:** 07 3259 6844

**Email:** [qld.sales@ezystrut.com.au](mailto:qld.sales@ezystrut.com.au)

March 2023