

# Cooling Fans



## Pedestal & Wall Mounted Cooling Fans



The Fantech Trade range of robust Pedestal Fans are available in stand or wall mounted configurations and feature a powerful 3-speed motor. They are designed to increase comfort and lift productivity by providing relief to people working in hot locations.

### Technical Data

Model Numbers: -  
Stand Mounted: PSET634-03SP  
Wall Mounted: PWET634-03SP

Speed Setting	Fan Speed rev/sec	Air Flow m <sup>3</sup> /hr	Avg. dB(A) @ 5m	Single-phase	
				Watts	Amps
High	23	12240	69	230	0.90
Mid	21	11160	60	175	0.80
Low	20	10080	56	135	0.70



Reduces the build-up of stagnant air while creating a feeling of freshness

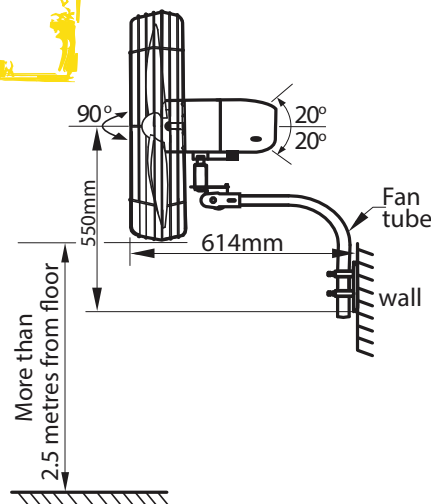
### Accessories

FMK3 - 3 nozzle misting kit  
FMK5 - 5 nozzle misting kit  
FMK7 - 7 nozzle misting kit  
(See page C-4)

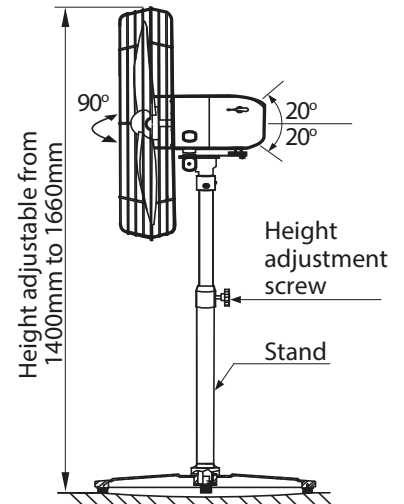
### Features

- Robust, durable construction
- Height of the stand mounted unit is adjustable from 1400mm to 1660mm
- 90° oscillating head with 20° up and down tilt
- Finished in a durable grey coloured paint
- Wall mounted unit comes with easy to fit wall mounting kit
- 3 operating speeds to suit specific cooling needs
- Fans are supplied in kit form ready for easy assembly
- Finger guards comply with Australian standards

### Dimensions



Wall Mount: PWET634-03SP  
13.5kg



Stand Mount: PSET634-03SP  
20.5 kg

**FANTECHTRADE** ///  
**MADE FOR TRADE**