



RAPID DRY

HAND DRYER



The Rapid Dry is part of the smart hand dryer range from Fantech Trade. They are equipped with digital circuit controls and advanced infrared auto sensing technologies. These hand dryers require minimal maintenance and include a robust design that delivers reliable long term performance.

- Advanced infrared auto sensing technology.
- Hygienic hands free operation.
- Concentrated air flow for rapid drying times.
- Casing made from easy to clean 304 stainless steel.
- Water resistant design for a longer lifespan.
- Efficient motor for high performance and low power consumption.
- Plug and lead included as standard.
- Auto-reset internal thermal protection.
- Warm or cold air function.

ENERGY SAVING

The Rapid Dry features a unique high-speed motor that has low overall power consumption. It is fitted with a round nozzle for concentrated air flow and quick drying time. It can complete the drying process in half the time of a regular hand dryer with half the energy consumption.

SAFE

This smart hand dryer has multiple safety features that protect the unit against overheating and electrical surges. This extends the lifespan of the unit and keeps the user safe.

STRONG

The streamline shell is made from robust 304 grade stainless steel. This enclosed casing protects the technology within and is easy to maintain.

HYGIENIC

Its easy to clean design, no-touch operation and anti-bacterial filter makes the Rapid Dry perfect for areas with hygiene requirements.

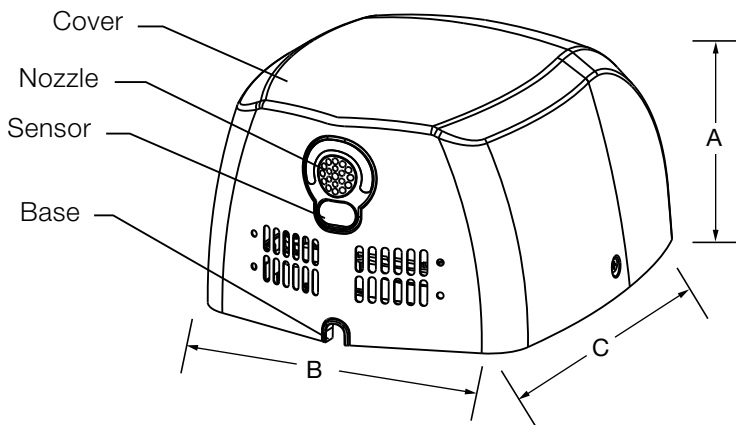




SMART

Accurate and reliable air control is a result of a built in smart microchip and advanced infrared technology. To use, simply bring hands within 10cm of the nozzle and the Rapid Dry will automatically start to blow warm air. Once your hands are dry, just move them away from the unit and operation will stop within one second.

Components



MODEL NO.	M ³ /HR	AVG dB(A) @3M	IP RATING	VOLTS	FREQUENCY	WEIGHT KG	RATED POWER	A	B	C
RAPDRY-SS	89	80	IP22	240V	50Hz	3.4	900W	169	252	300

All dimensions in mm