

## SINGLE PHASE

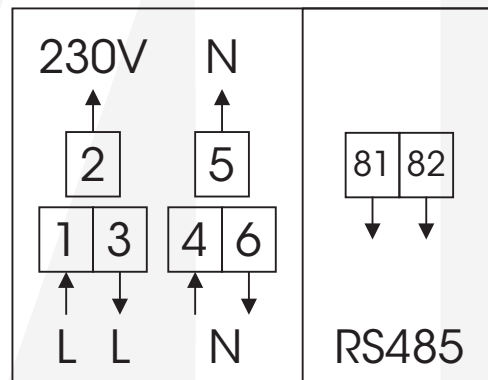
- Meter Type: Static, single phase
- NMI Approval: 14/2/73
- Network: Single Phase, 2 wire
- Scope: Active energy (both import and export)
- Register: LCD Display, Up to 6 Tariff rates
- Nominal Voltage: 230 Vac
- Amp Rating: 100 Amp
- Operational Frequency Range: 50Hz
- Operating Temperature Range: -40°C / +70°C
- IP Protection: IP54
- Environment Class: N2 / E2
- Impulse Voltage Resistance: 12kV
- Surge Immunity: 4kV
- Accuracy Class: Class 1 or 2 for active energy
- Tamper Protection: Detects and records tamper events

### DIMENSIONS:

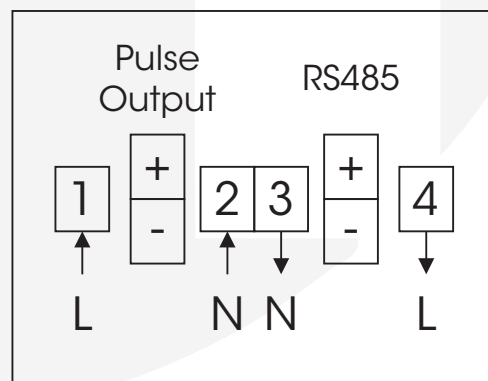
122mm (W) x 180mm (H)



### WIRING DIAGRAM DIN:



### WIRING DIAGRAM BS:



Code	Description	Packing	MOQ	Ctn
FKW-16110	Surface Mount Direct Electronic 0-100A - 1PH NMI Approved	1	1	1